

United States Patent [19]

Giordano et al.

[11] Patent Number: Des. 320,256

[45] Date of Patent: ** Sep. 24, 1991

[54] COMBINED WATER FILTER AND STAND THEREFOR OR SIMILAR ARTICLE

[75] Inventors: Edward C. Giordano, Glastonbury; Raymond M. Petrucci, Middlebury, both of Conn.

[73] Assignee: Cuno, Incorporated, Meriden, Conn.

[**] Term: 14 Years

[21] Appl. No.: 417,007

[22] Filed: Oct. 4, 1989

[52] U.S. Cl. D23/209

[58] Field of Search D23/200, 207-210; 210/136, 198.1, 205-206, 231, 241, 244-245, 257.1-257.2, 258, 260-261, 269, 275, 282, 288-290, 295, 321.6, 321.78, 416.3, 443-449

[56] References Cited

U.S. PATENT DOCUMENTS

D. 215,000 8/1969 Young D23/207
D. 253,422 11/1979 Smith D23/209

D. 282,561 2/1986 Lu D23/207
4,070,292 1/1978 Adams 210/206 X
4,842,724 6/1989 Bray et al. 210/416.3 X

Primary Examiner—Susan J. Lucas
Assistant Examiner—M. H. Tung
Attorney, Agent, or Firm—Renner, Kenner, Greive, Bobak, Taylor & Weber

[57] CLAIM

The ornamental design for a combined water filter and stand therefor or similar article, as shown and described.

DESCRIPTION

FIG. 1 is a top, front and right side perspective view of a combined water filter and stand therefor or similar article showing our new design;
FIG. 2 is a front elevational view thereof;
FIG. 3 is a rear elevational view thereof;
FIG. 4 is a top plan view thereof;
FIG. 5 is a right side elevational view with the left side elevation being a mirror image; and
FIG. 6 is a bottom plan view thereof.

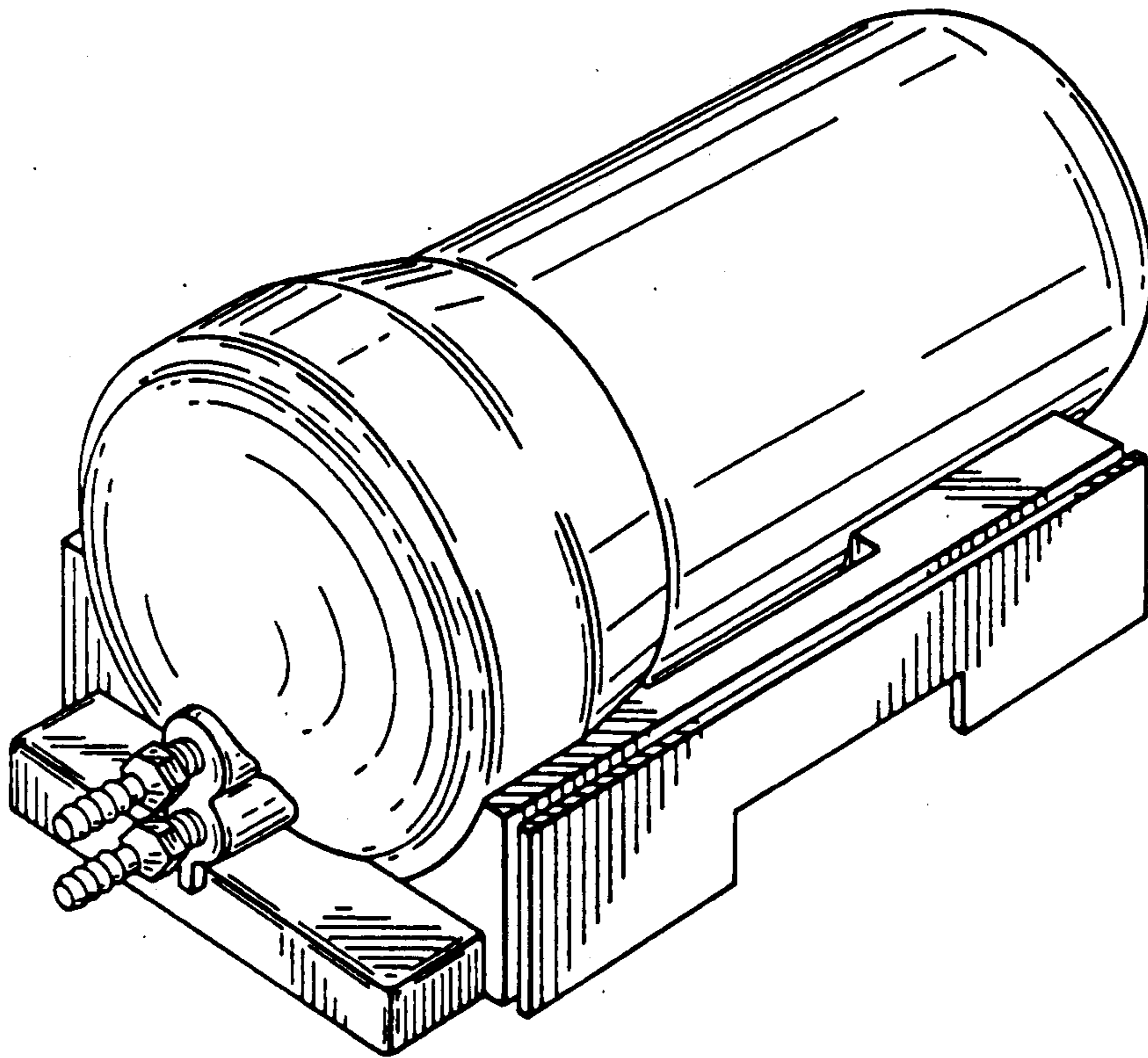


FIG. 1

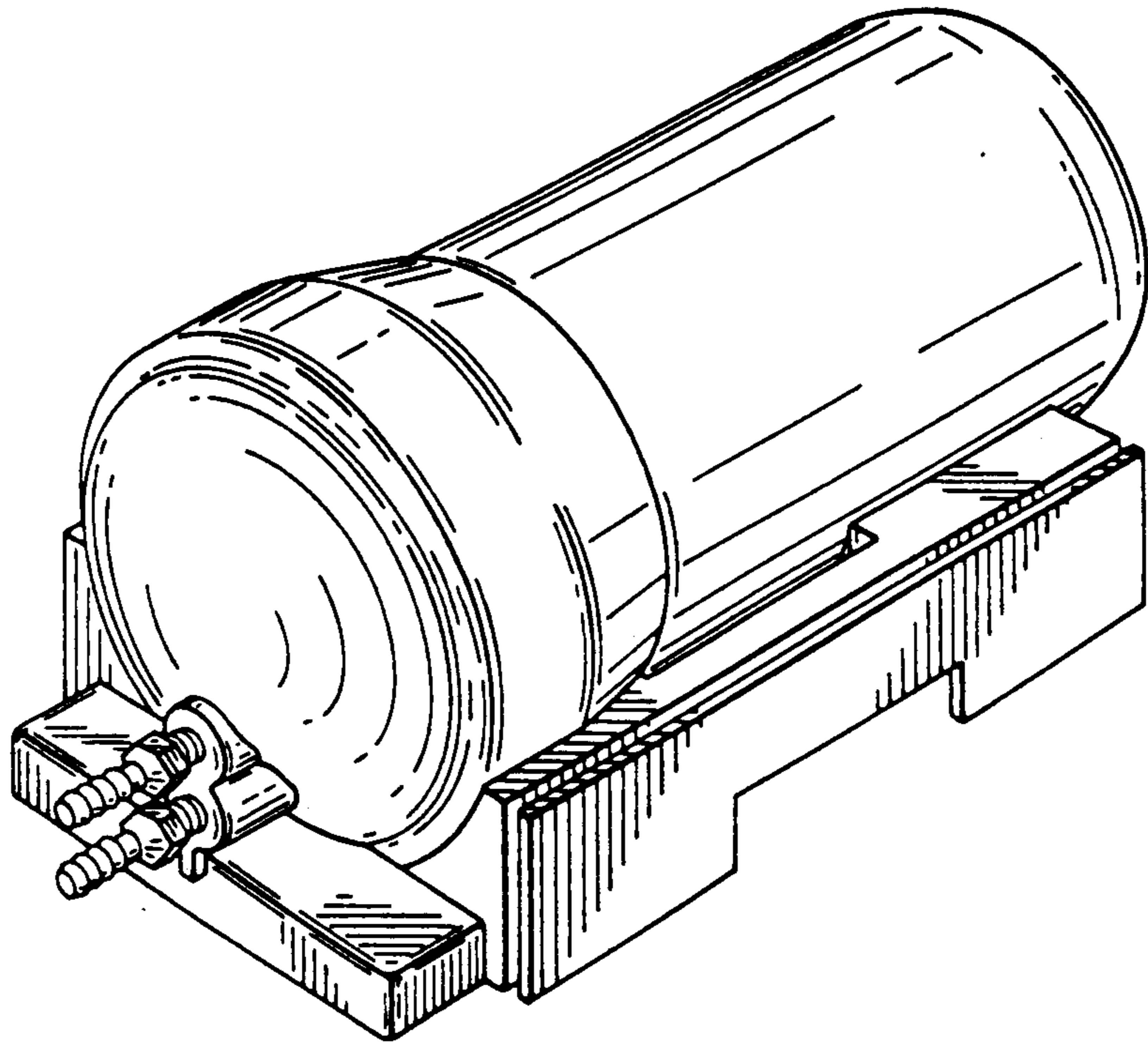


FIG. 2

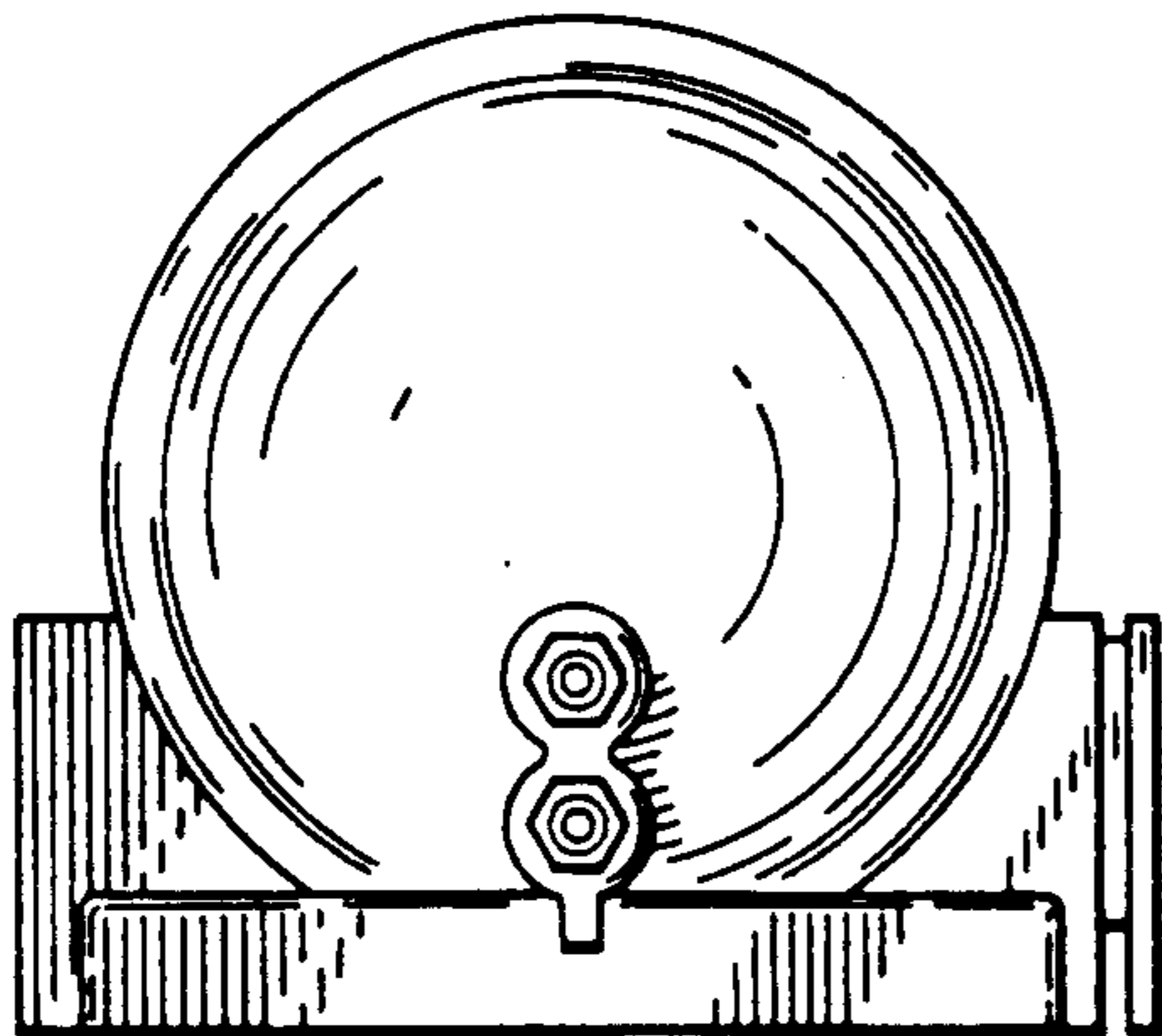


FIG. 3

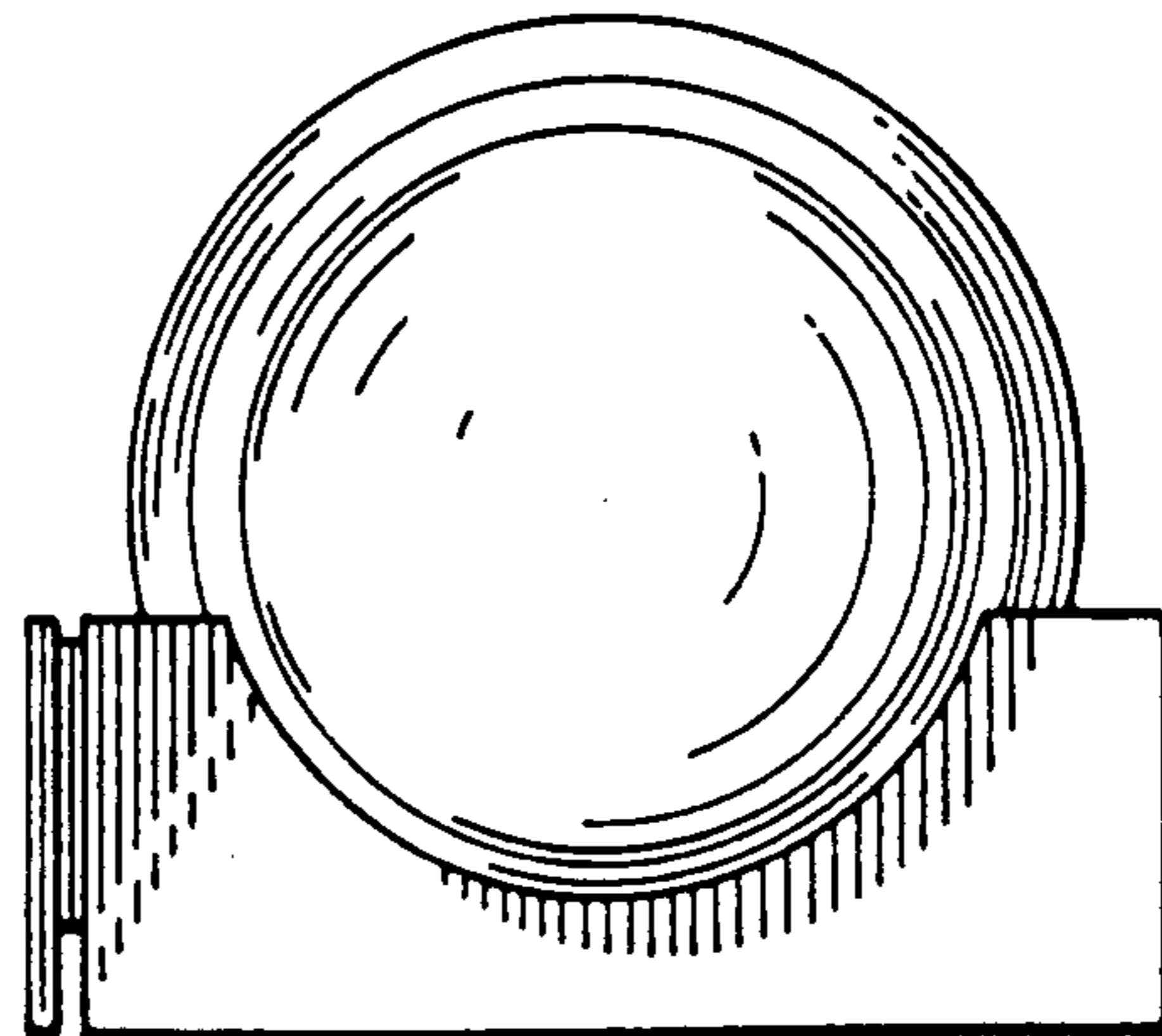


FIG. 4

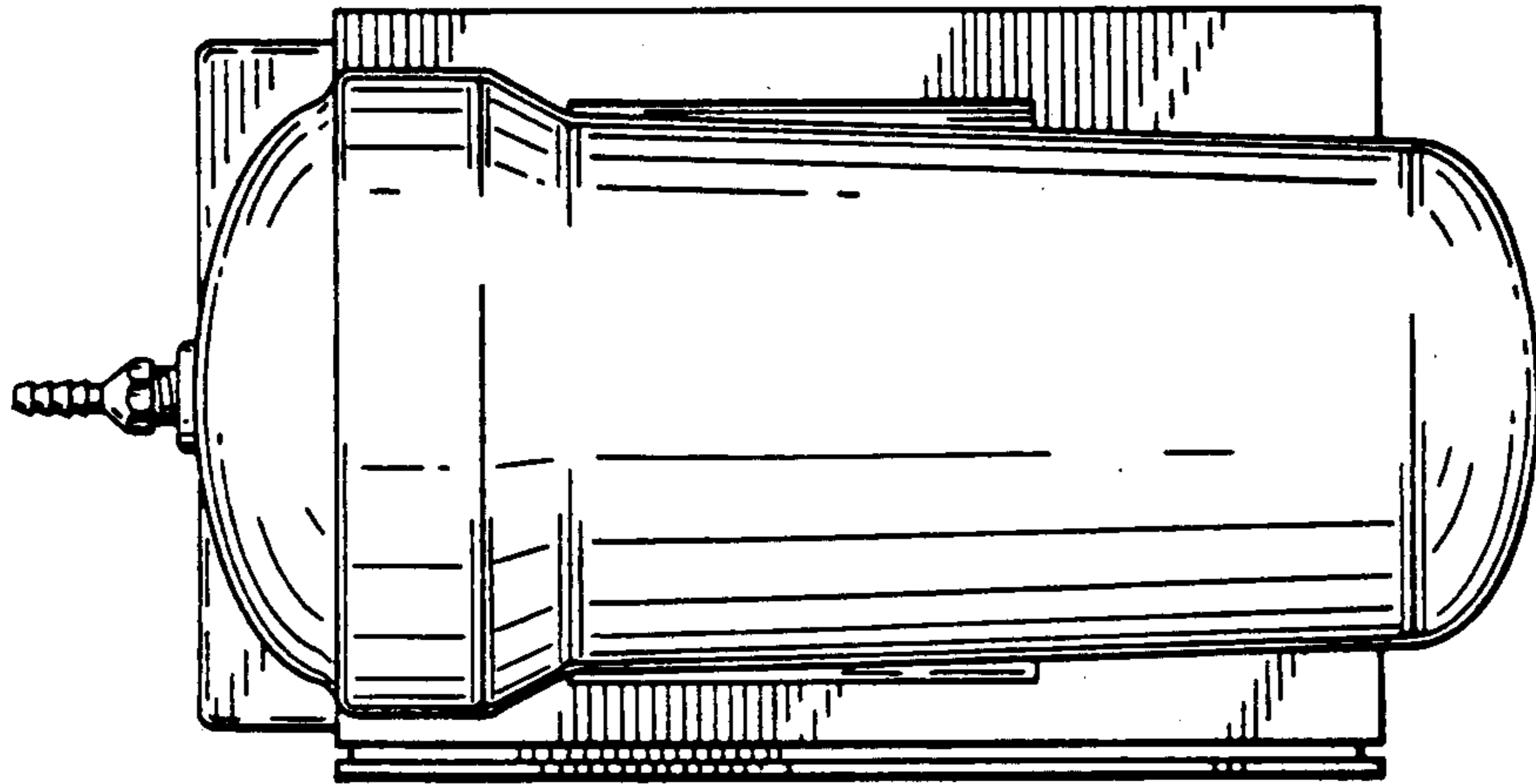


FIG. 5

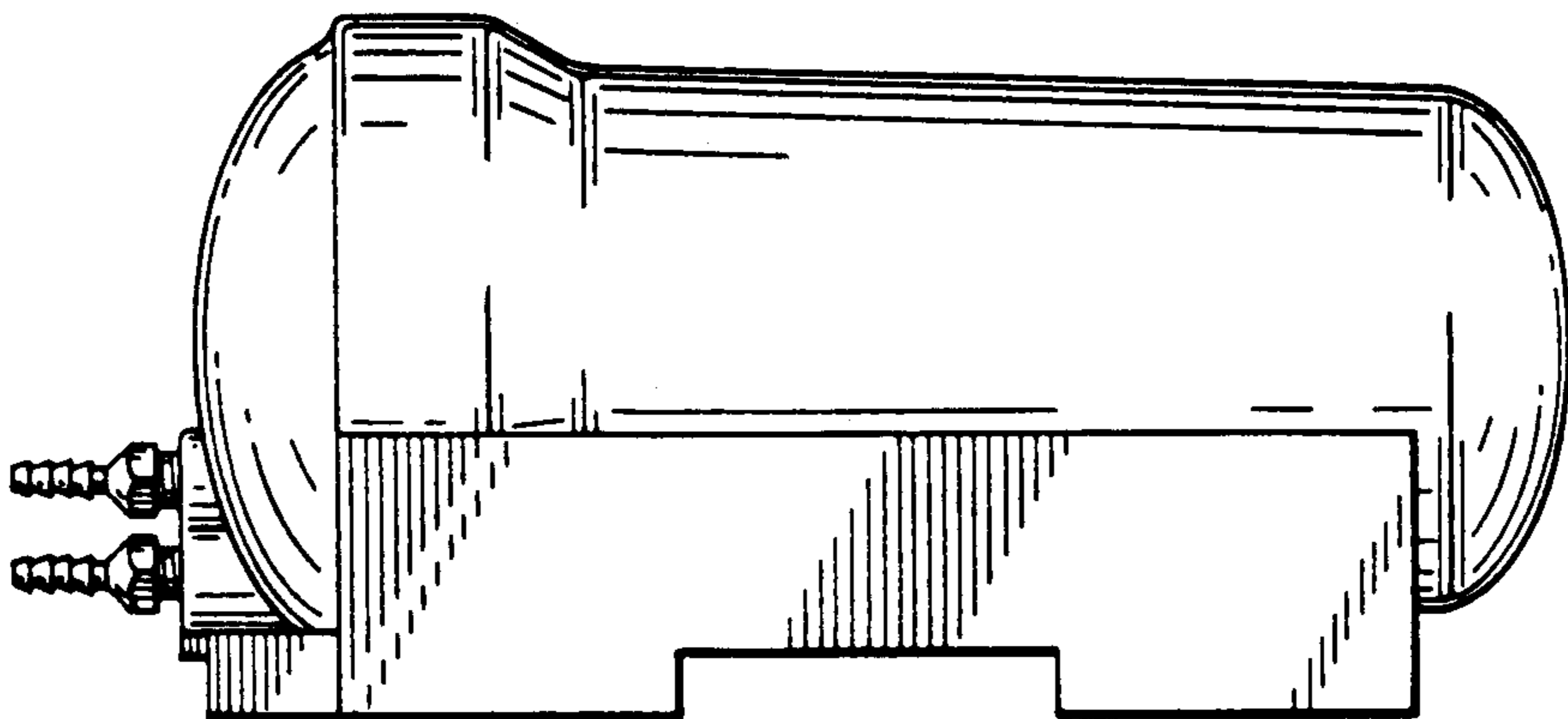


FIG. 6

