

[54] DOUBLE ARROW PUTTER HEAD

[76] Inventor: Richard L. Hughes, P.O. Box 1267, Columbia, N.J. 07832

[**] Term: 14 Years

[21] Appl. No.: 69,591

[22] Filed: Jul. 2, 1987

[52] U.S. Cl. D21/219

[58] Field of Search D21/214-220; 273/163 R, 164, 167-175

[56] References Cited

U.S. PATENT DOCUMENTS

D. 248,050	5/1978	Muehl	D21/219
D. 285,818	9/1986	Moore	D21/219
3,328,032	6/1967	Griswold	273/163

Primary Examiner—Melvin B. Feifer
Attorney, Agent, or Firm—Leonard Belkin

[57] CLAIM

The ornamental design for a double arrow putter head, as shown and described.

DESCRIPTION

FIG. 1 is a front perspective view of a double arrow putter head showing my new design;
 FIG. 2 is a top plan view thereof;
 FIG. 3 is a top rear perspective view thereof;
 FIG. 4 is a bottom plan view thereof;
 FIG. 5 is a side elevation taken from the left of FIG. 1;
 FIG. 6 is a side elevation taken from the right of FIG. 1; and
 FIG. 7 is a front elevation. The broken line showing of a shaft segment is for illustrative purposes only and forms no part of the design.

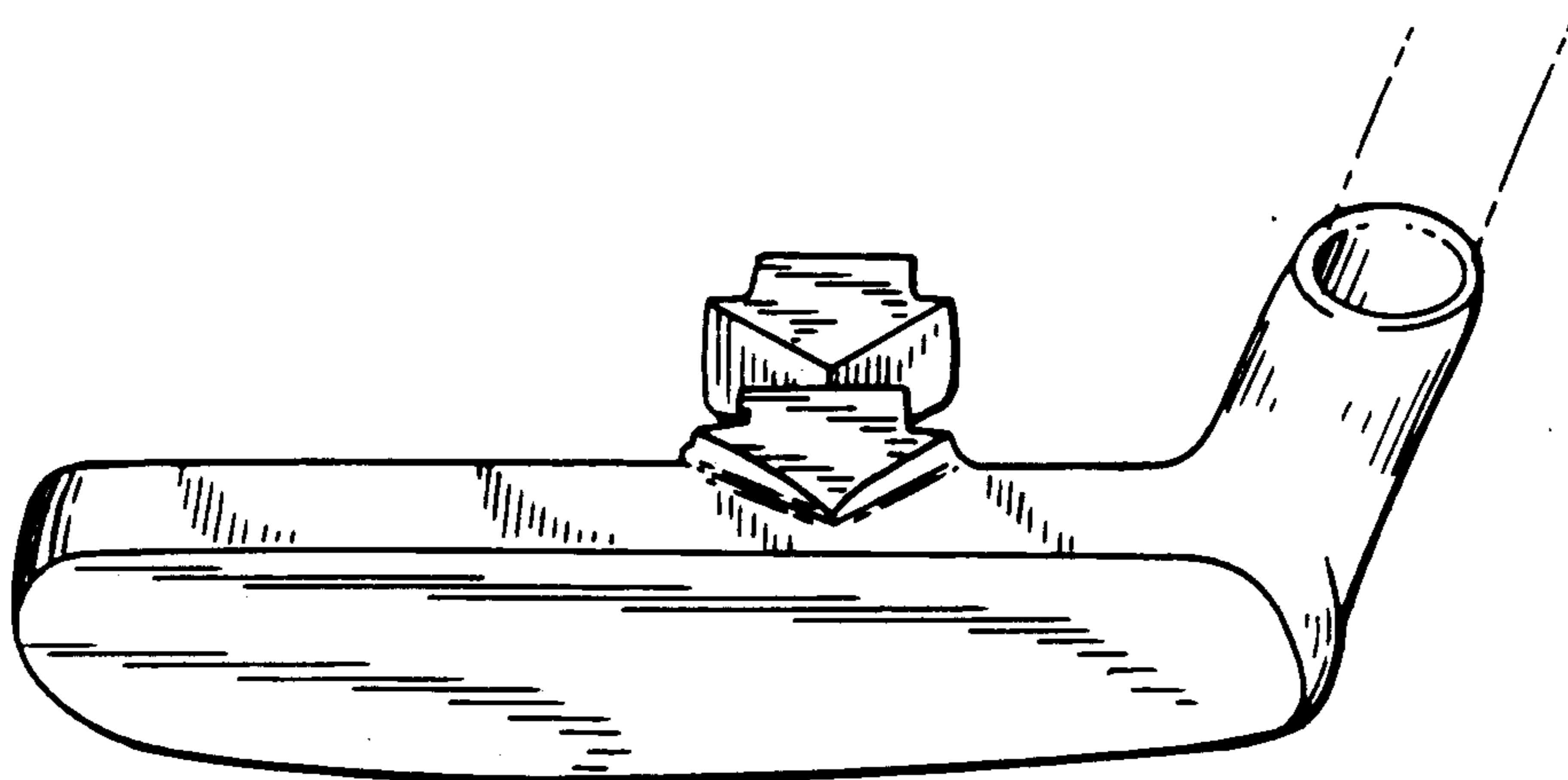


FIG. 1

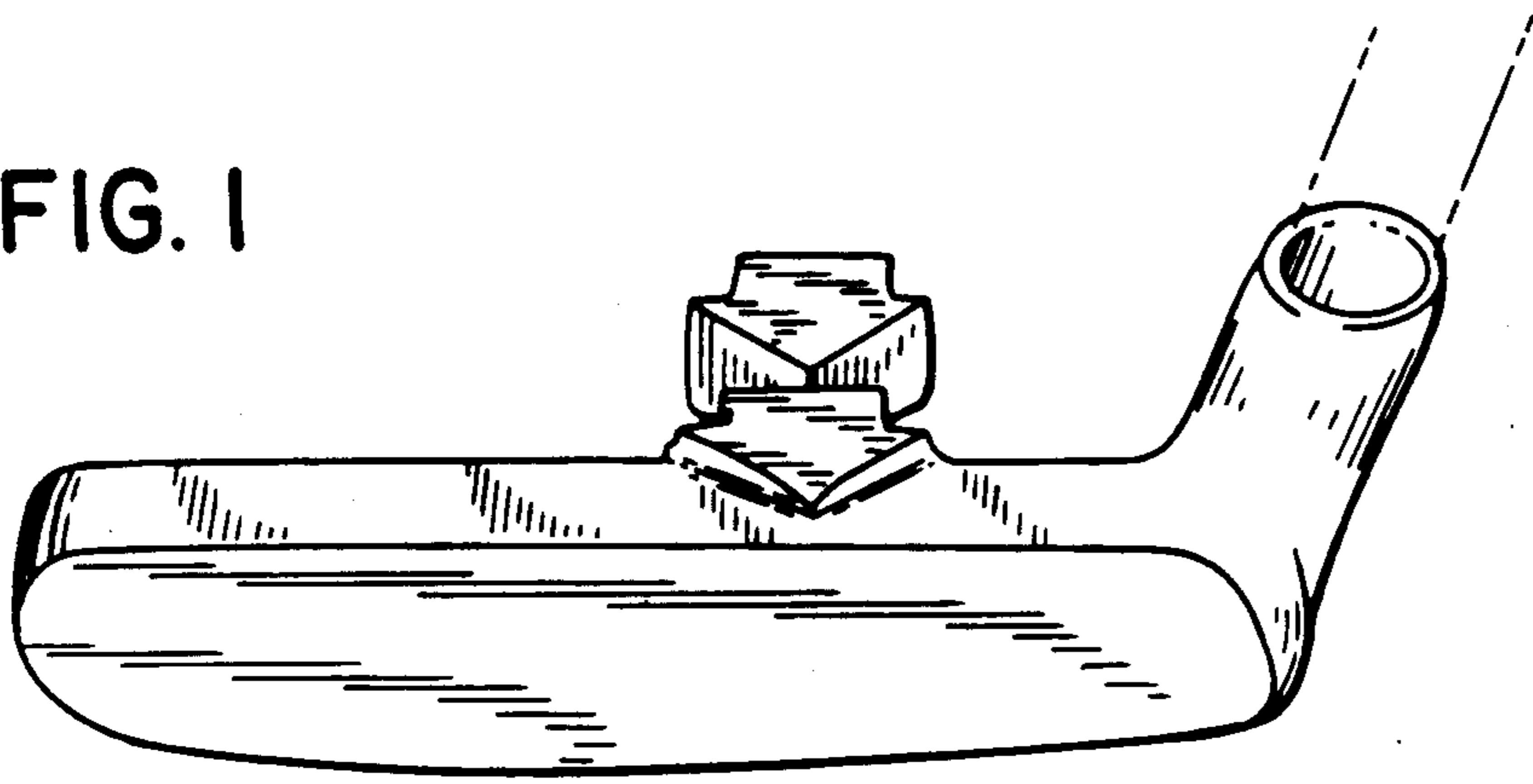


FIG. 2

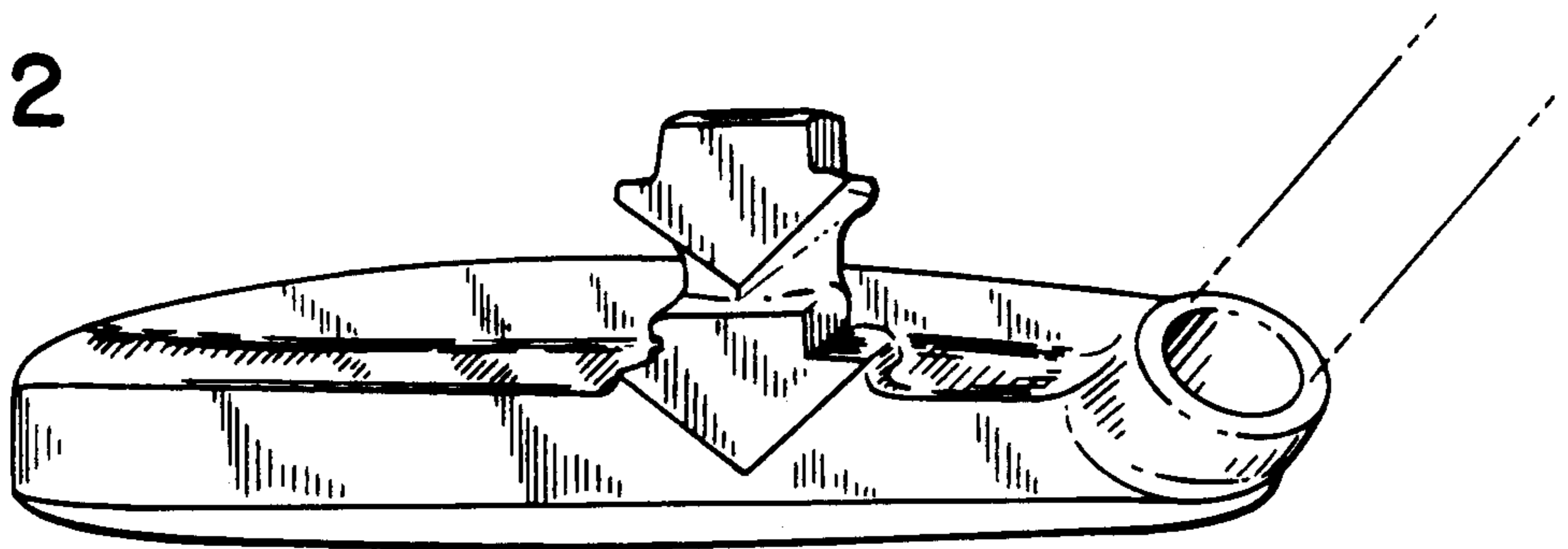


FIG. 3

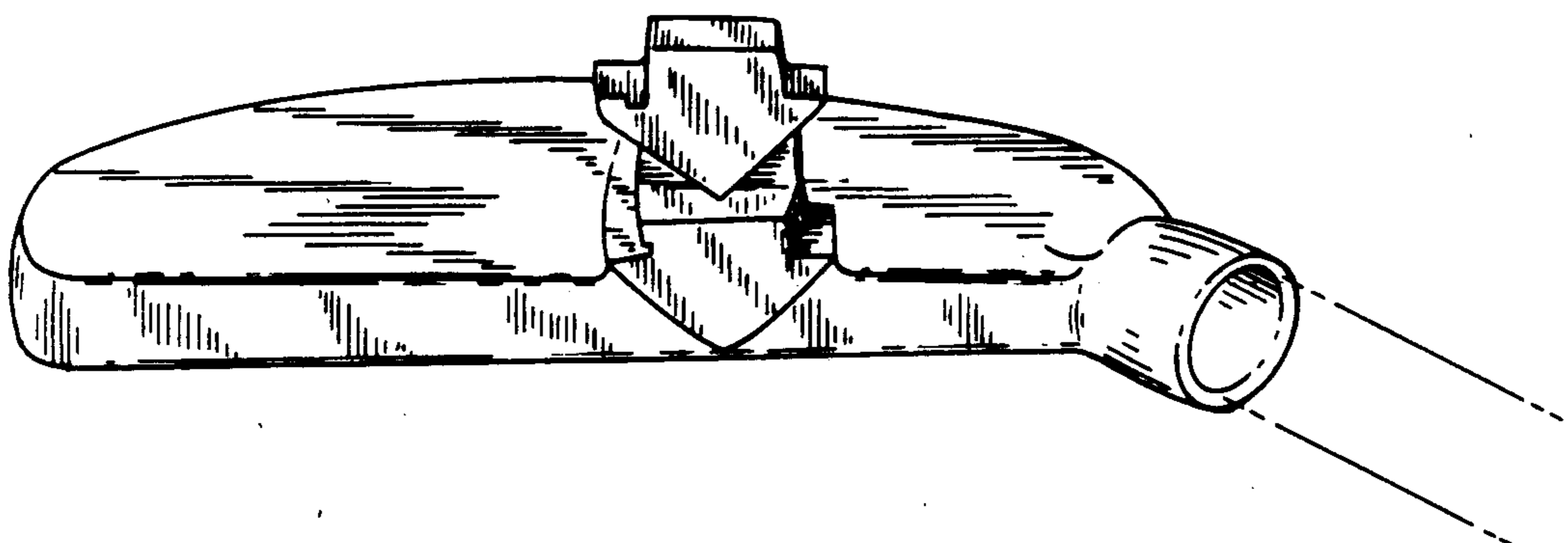


FIG. 4

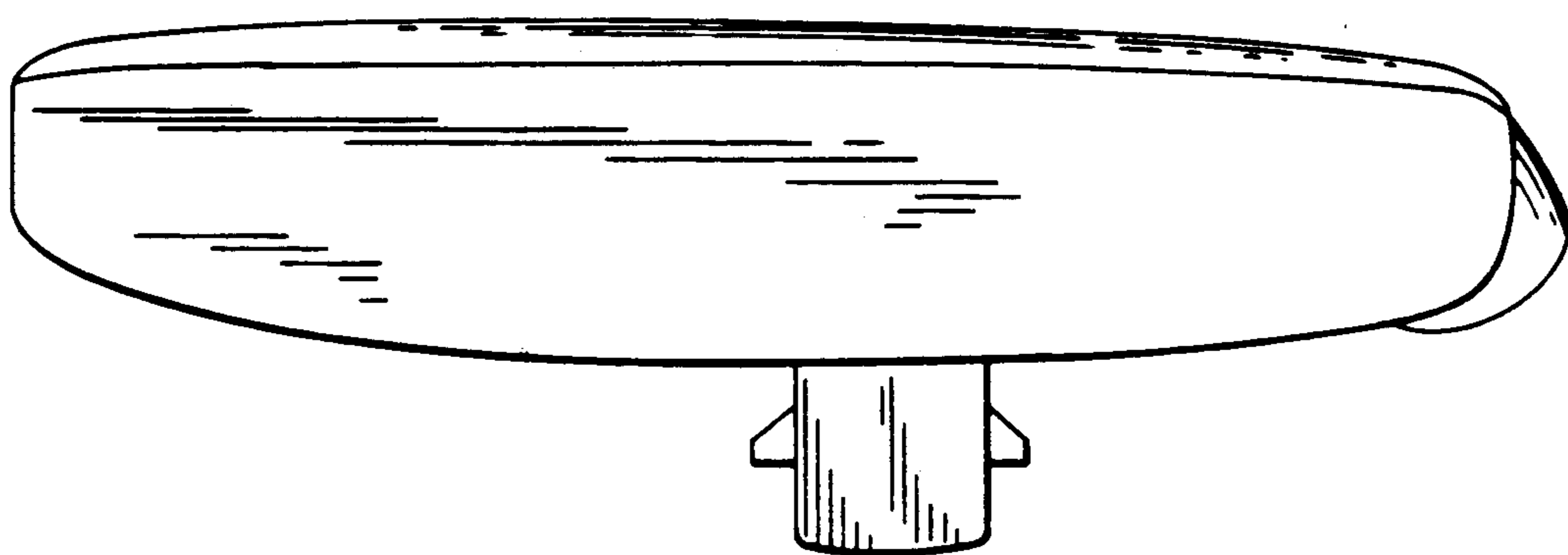


FIG. 5

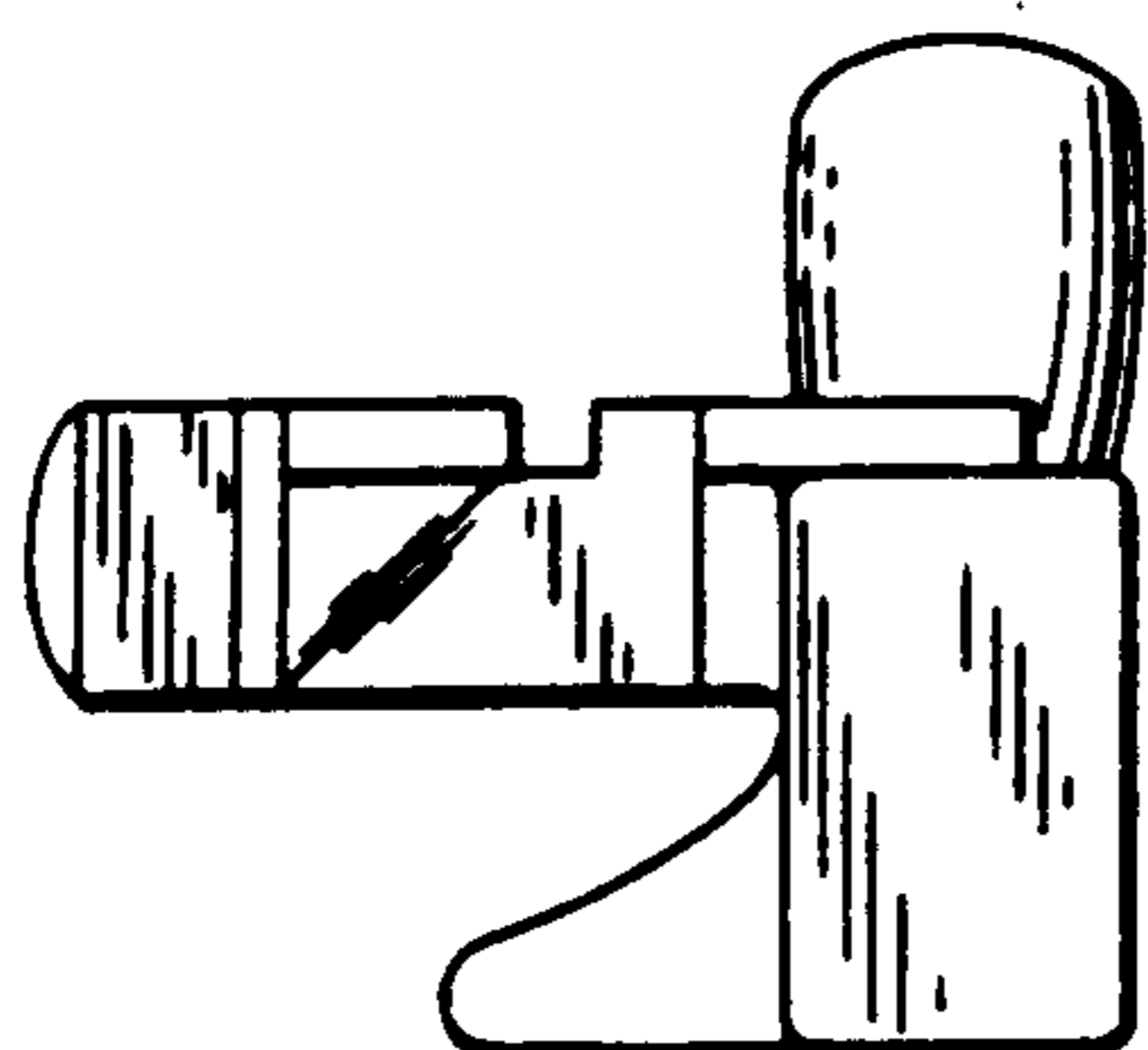
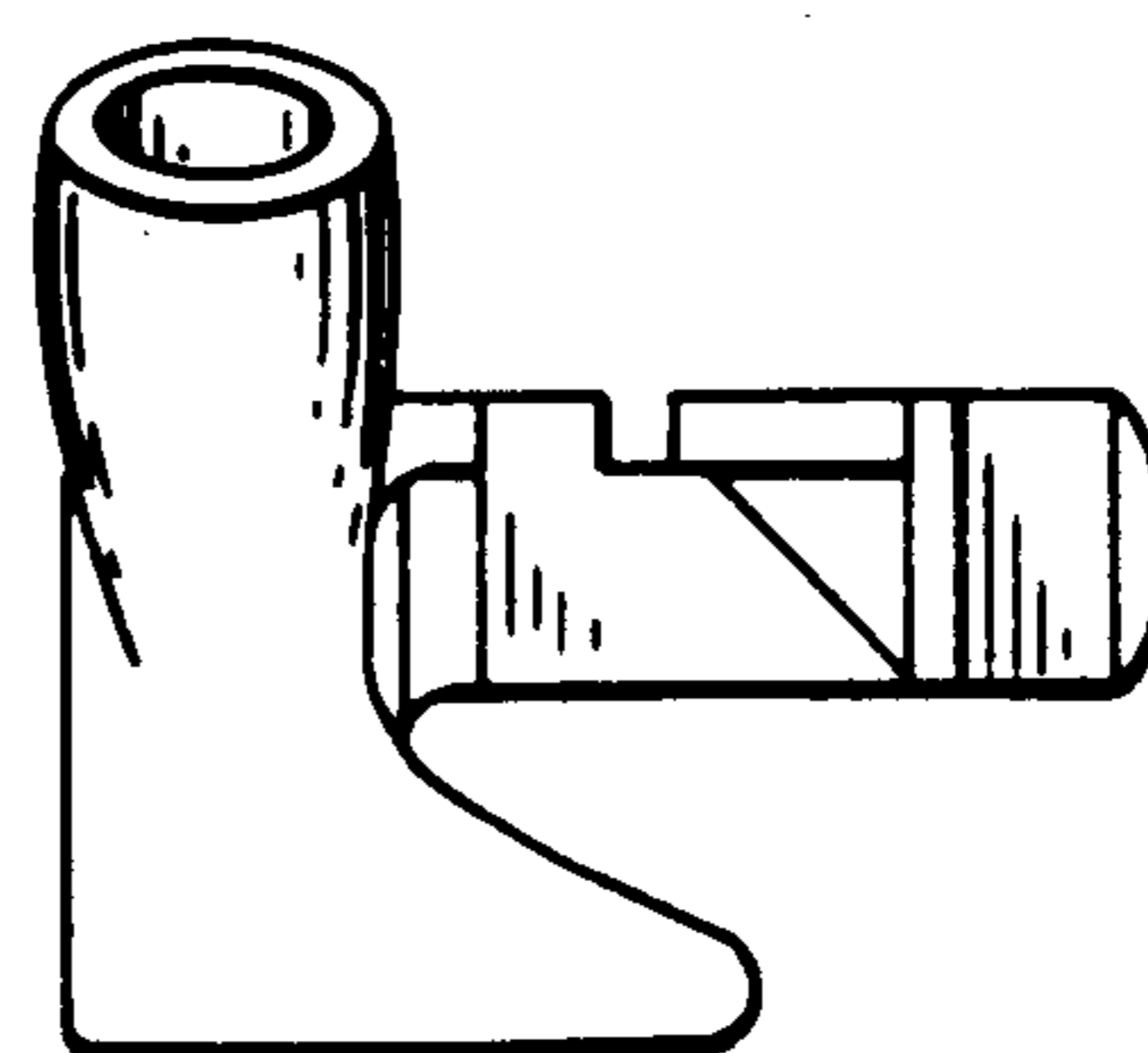


FIG. 6



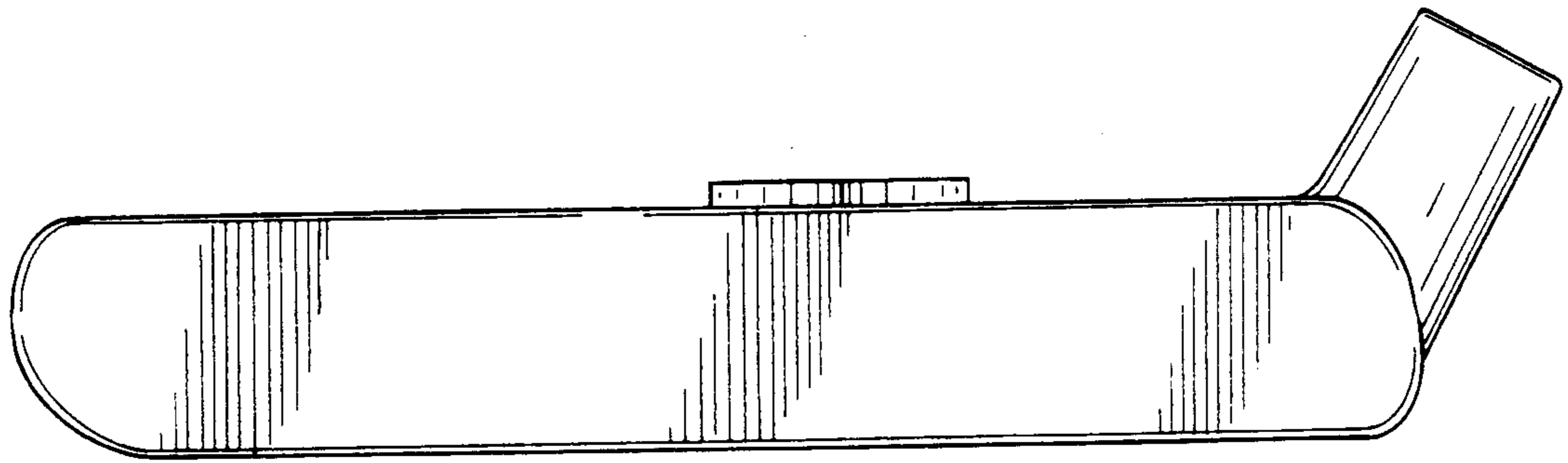


FIG. 7