

- [54] **PHYSICAL EXERCISER**
- [75] **Inventors: Loyd C. Moore, Bellevue; William D. MacLean, Issaquah, both of Wash.**
- [73] **Assignee: Vectra Fitness, Inc., Redmond, Wash.**
- [\*\*] **Term: 14 Years**
- [21] **Appl. No.: 246,166**
- [22] **Filed: Sep. 16, 1988**
- [52] **U.S. Cl. .... D21/196**
- [58] **Field of Search ..... D21/191, 195, 196, 198, D21/194; 272/117, 118, 133, 134, 138, 144, 73**

4,509,746	4/1985	Mask .....	272/134
4,515,363	5/1985	Schleffendorf .....	272/134 X
4,616,825	10/1986	Anderson .....	272/117 X
4,643,420	2/1987	Riley et al. .	
4,691,916	7/1987	Voris .....	272/118
4,697,809	10/1987	Rockwell .....	272/118

**FOREIGN PATENT DOCUMENTS**

3326426	1/1985	Fed. Rep. of Germany .....	272/118
197803	8/1976	Netherlands .	
2158362	11/1985	United Kingdom .	

**OTHER PUBLICATIONS**

Marcy Physical Equipment, 1983, p. 3, Item No. 7045, bottom left of the page.

*Primary Examiner*—Bernard Ansher.  
*Assistant Examiner*—Prabhakar Deshmukh  
*Attorney, Agent, or Firm*—Seed and Berry

[56] **References Cited**

**U.S. PATENT DOCUMENTS**

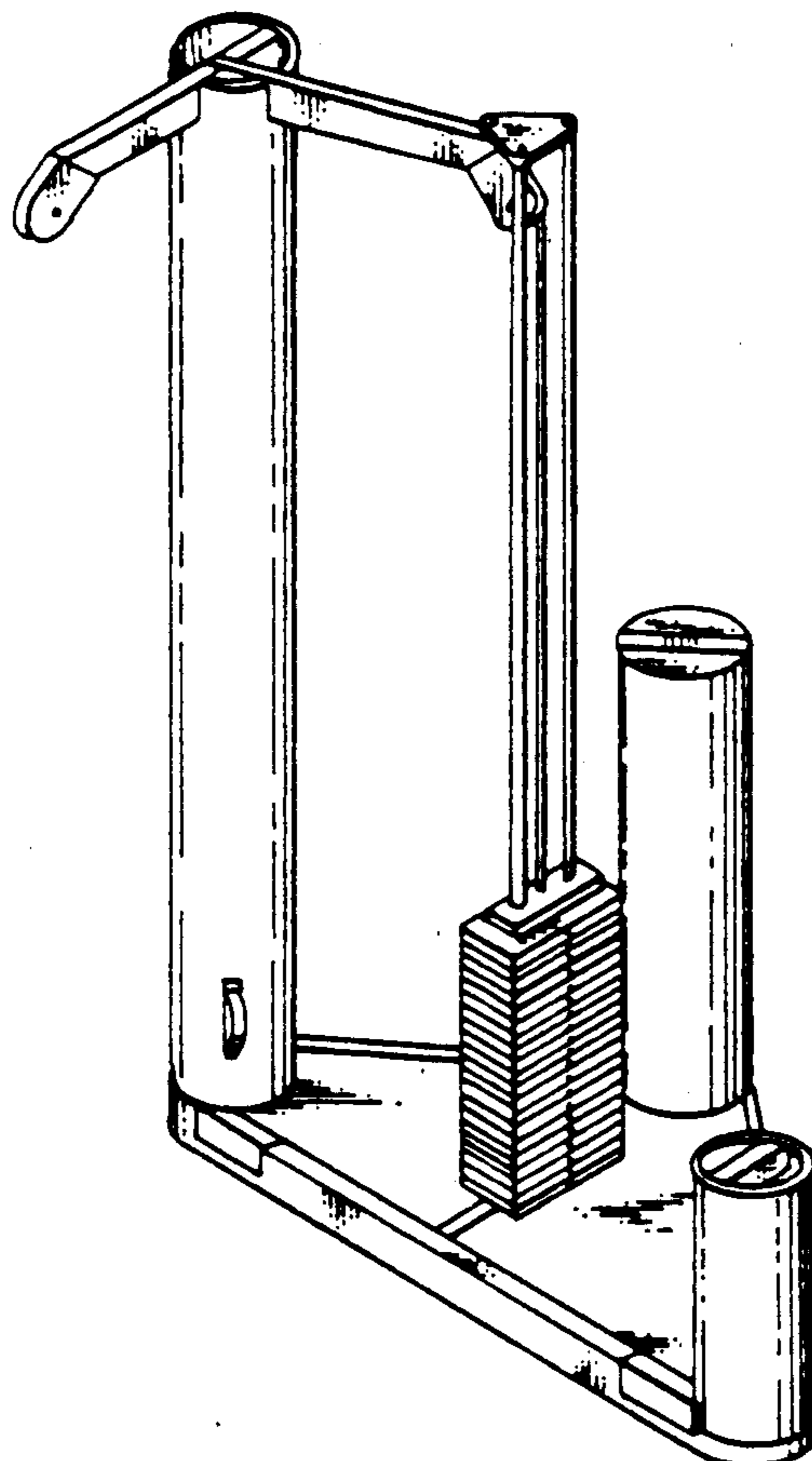
D. 266,444	10/1982	Fry .....	D21/195
D. 300,048	2/1989	Grider .....	D21/191 X
723,625	3/1903	Thornley .	
2,648,540	8/1953	Hunter .	
2,977,120	3/1961	Morris .	
3,640,528	2/1972	Proctor .	
4,317,566	3/1982	Uyeda et al. ....	272/118
4,372,553	2/1983	Hatfield .	
4,390,179	6/1983	Szkalak .....	272/118
4,456,245	6/1984	Baldwin .....	272/118
4,505,475	3/1985	Olschansky et al. ....	272/118

[57] **CLAIM**

The ornamental design for a physical exerciser, as shown and described.

**DESCRIPTION**

FIG. 1 is a top perspective view of a physical exerciser showing our new design;  
 FIG. 2 is a front perspective view thereof;  
 FIG. 3 is a rear perspective view thereof; and  
 FIG. 4 is a side elevational view thereof.



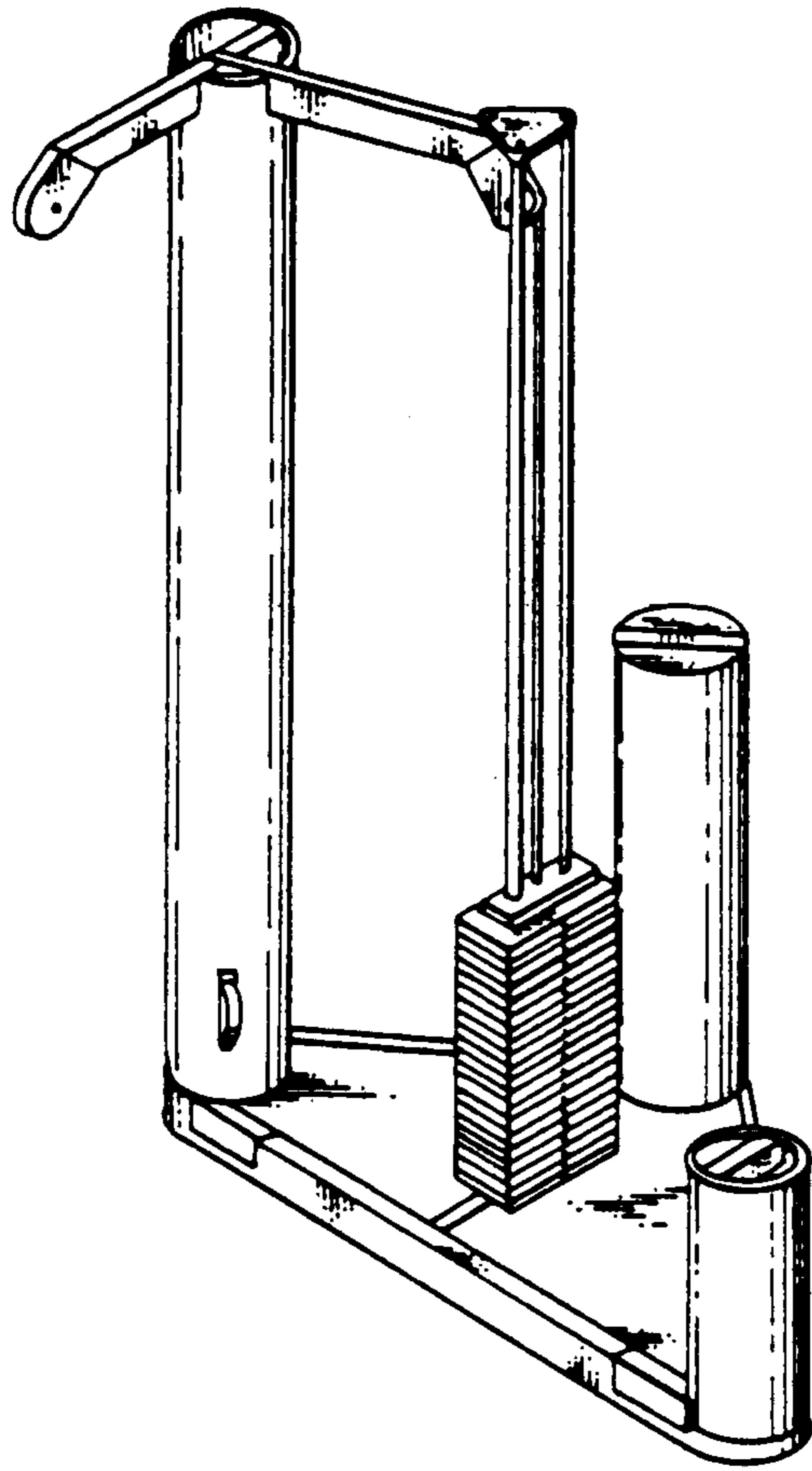


FIG. 1

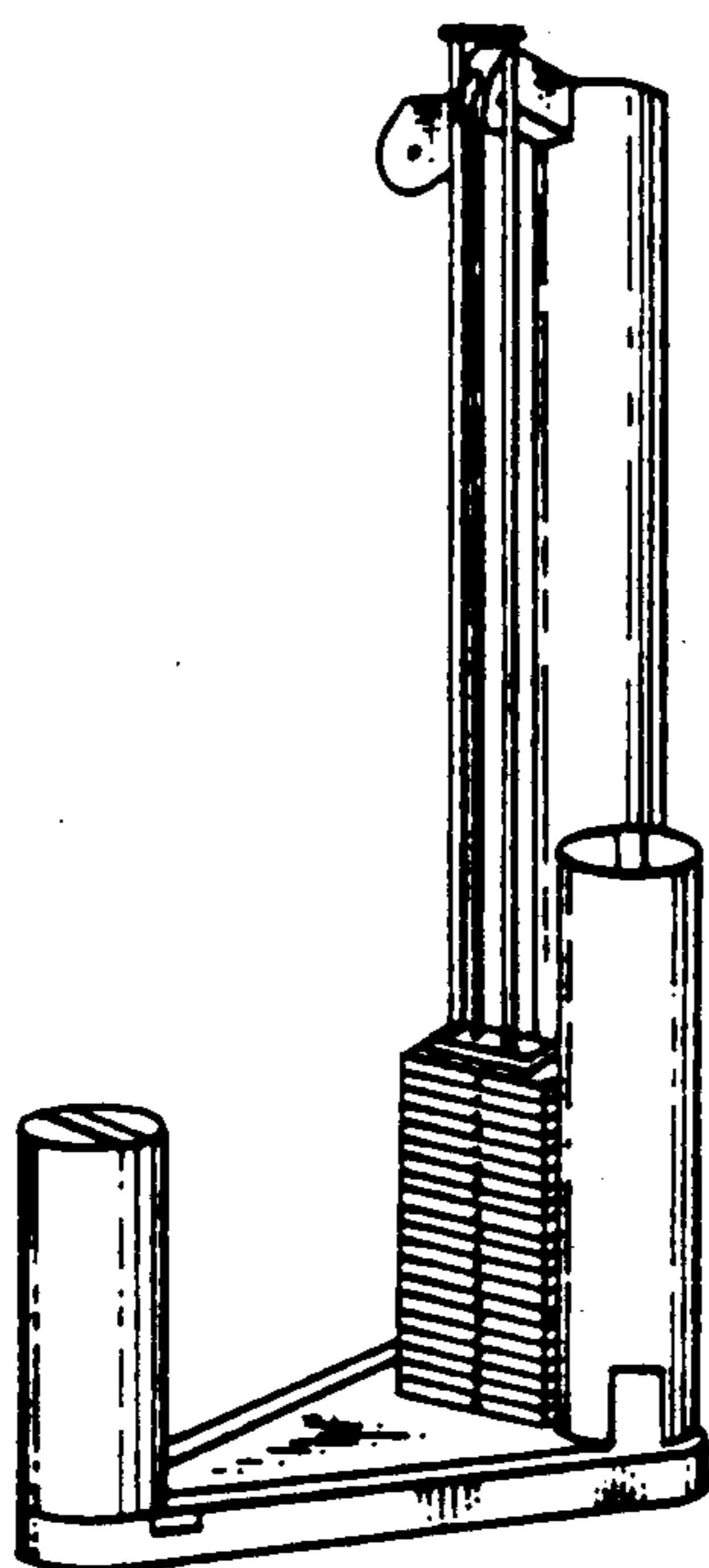


FIG. 2

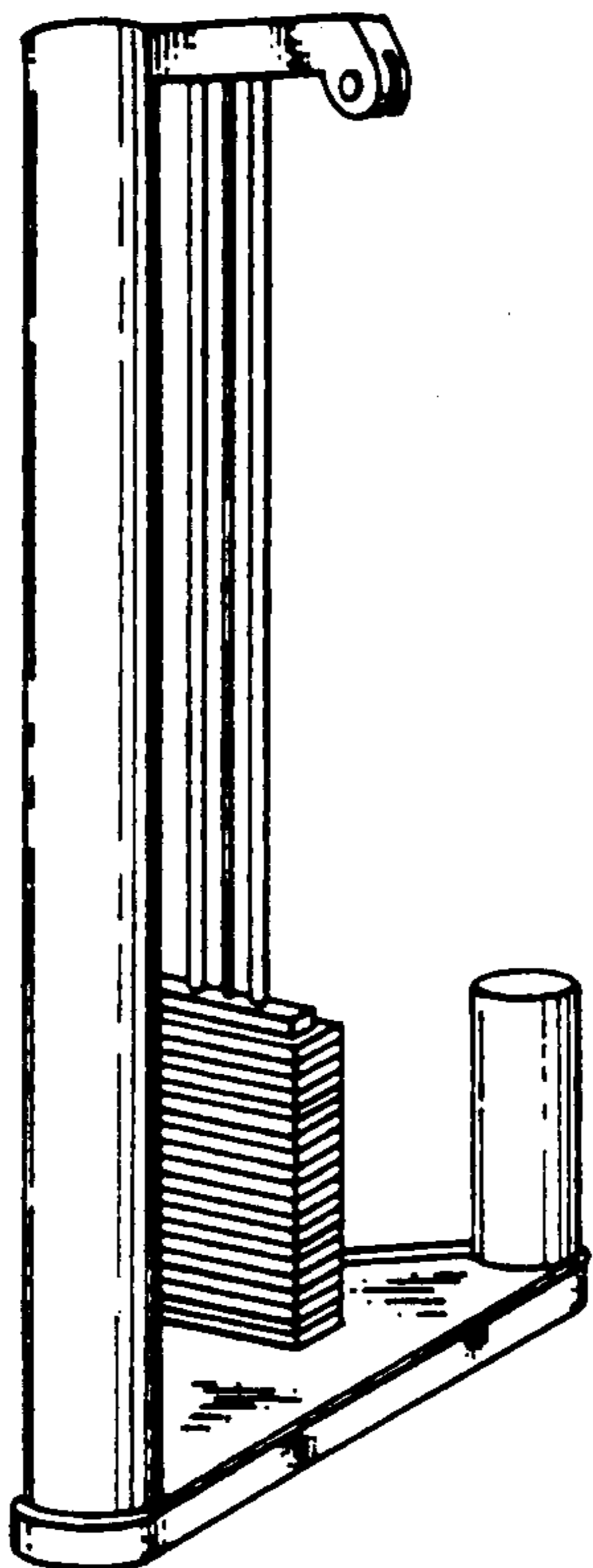


FIG. 3

FIG. 4

