

[54] **PHYSICAL EXERCISER**
 [75] **Inventors: Jeffrey B. Johnson; Arthur B. Ish, III, both of Redmond; Loyd C. Moore; Robert A. Rasmussen, both of Bellevue; William D. MacLean, Issaquah, all of Wash.**

[73] **Assignee: Vectra Fitness, Inc., Redmond, Wash.**

[**] **Term: 14 Years**

[21] **Appl. No.: 246,165**

[22] **Filed: Sep. 16, 1988**

[52] **U.S. Cl. D21/195**

[58] **Field of Search D21/191, 195, 196, 198, D21/194; 272/117, 118, 133, 134, 138, 144, 73**

[56] **References Cited**

U.S. PATENT DOCUMENTS

D. 242,732	12/1976	Brentham	D21/195
D. 262,812	1/1982	Lambert, Jr. et al.	D21/195
723,625	3/1903	Thornley .	
2,648,540	8/1953	Hunter .	
2,977,120	3/1961	Morris .	
3,640,528	2/1972	Proctor .	
4,240,626	12/1980	Lambert, Jr.	272/134 X
4,372,553	2/1983	Hatfield .	

4,390,179	6/1983	Szkalak	272/118
4,456,245	6/1984	Baldwin	272/118
4,505,475	3/1985	Olschansky et al.	272/118
4,509,746	4/1985	Mask	272/134
4,643,420	2/1987	Riley et al. .	
4,697,809	10/1987	Rockwell	272/118
4,804,179	2/1989	Murphy et al.	272/117
4,809,972	3/1989	Rasmussen et al.	272/118
4,900,018	2/1990	Ish, III et al.	272/118

FOREIGN PATENT DOCUMENTS

3326426	1/1986	Fed. Rep. of Germany	272/118
197803	8/1976	Netherlands .	
2158362	11/1985	United Kingdom .	

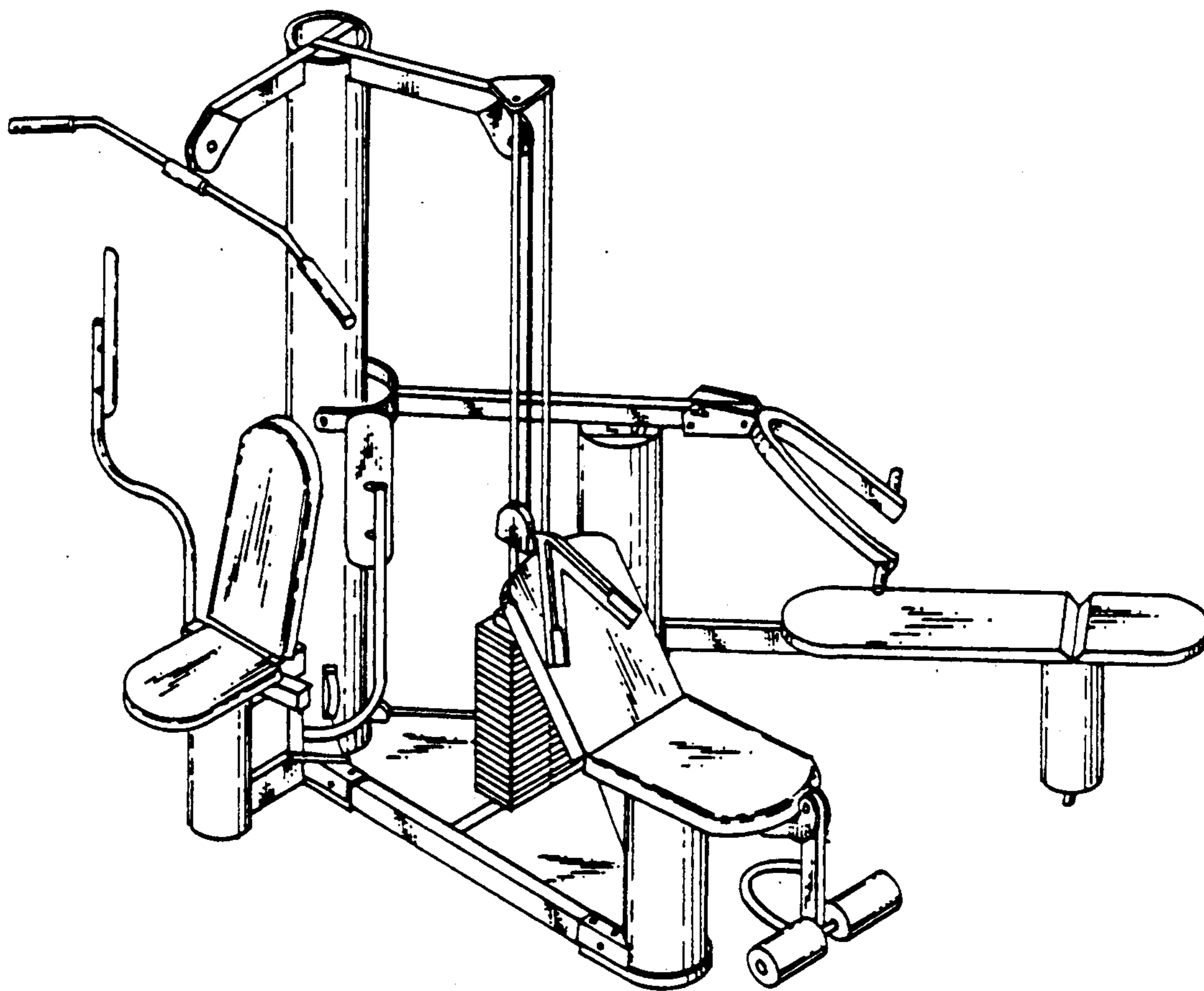
Primary Examiner—Bernard Ansher
Assistant Examiner—Prabhakar Deshmukh
Attorney, Agent, or Firm—Seed and Berry

[57] **CLAIM**

The ornamental design for a physical exerciser, as shown and described.

DESCRIPTION

FIG. 1 is a top perspective view of a physical exerciser showing our new design;
 FIG. 2 is a front perspective view thereof;
 FIG. 3 is a rear perspective view thereof; and
 FIG. 4 is a side elevational view thereof.



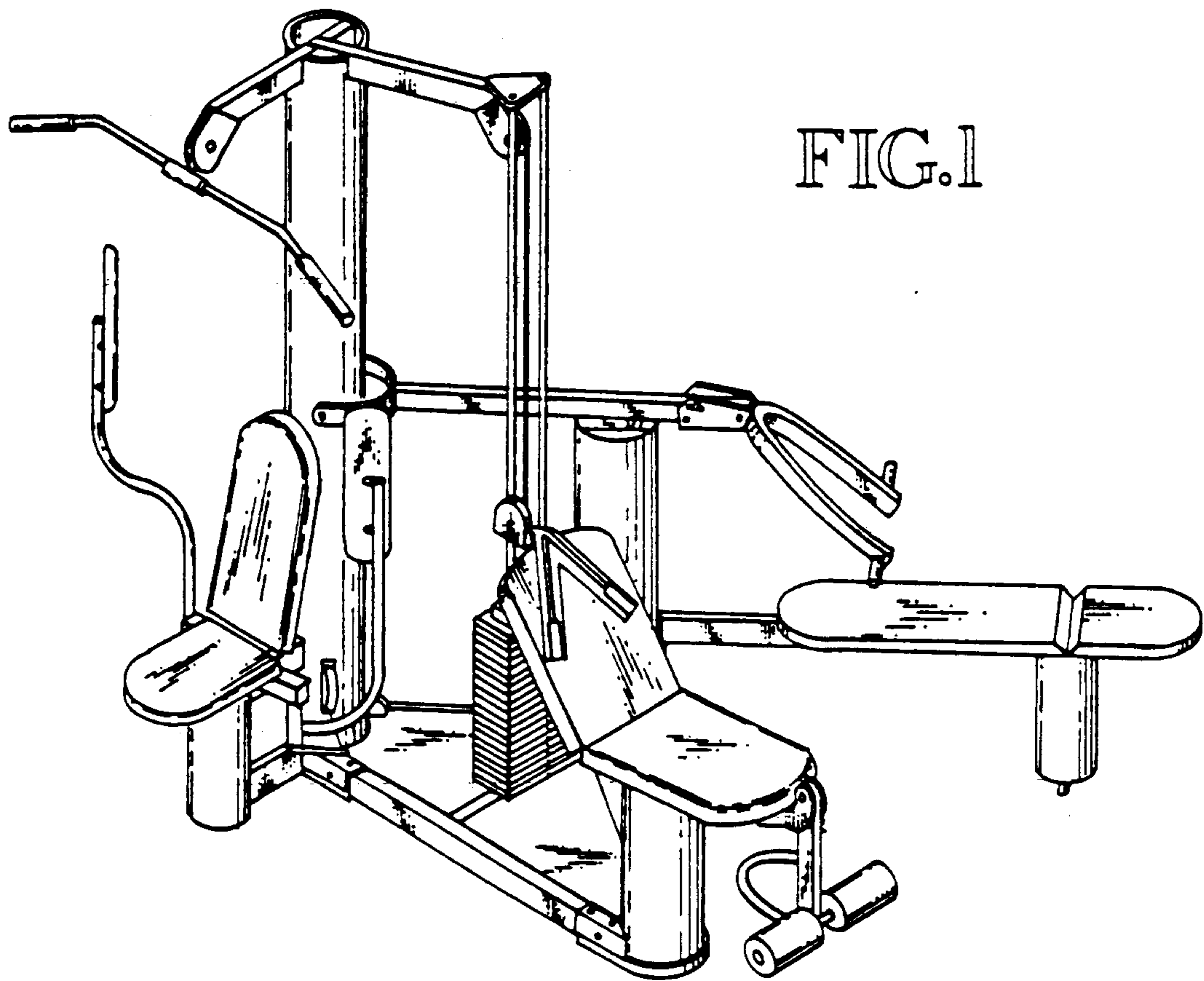


FIG. 1

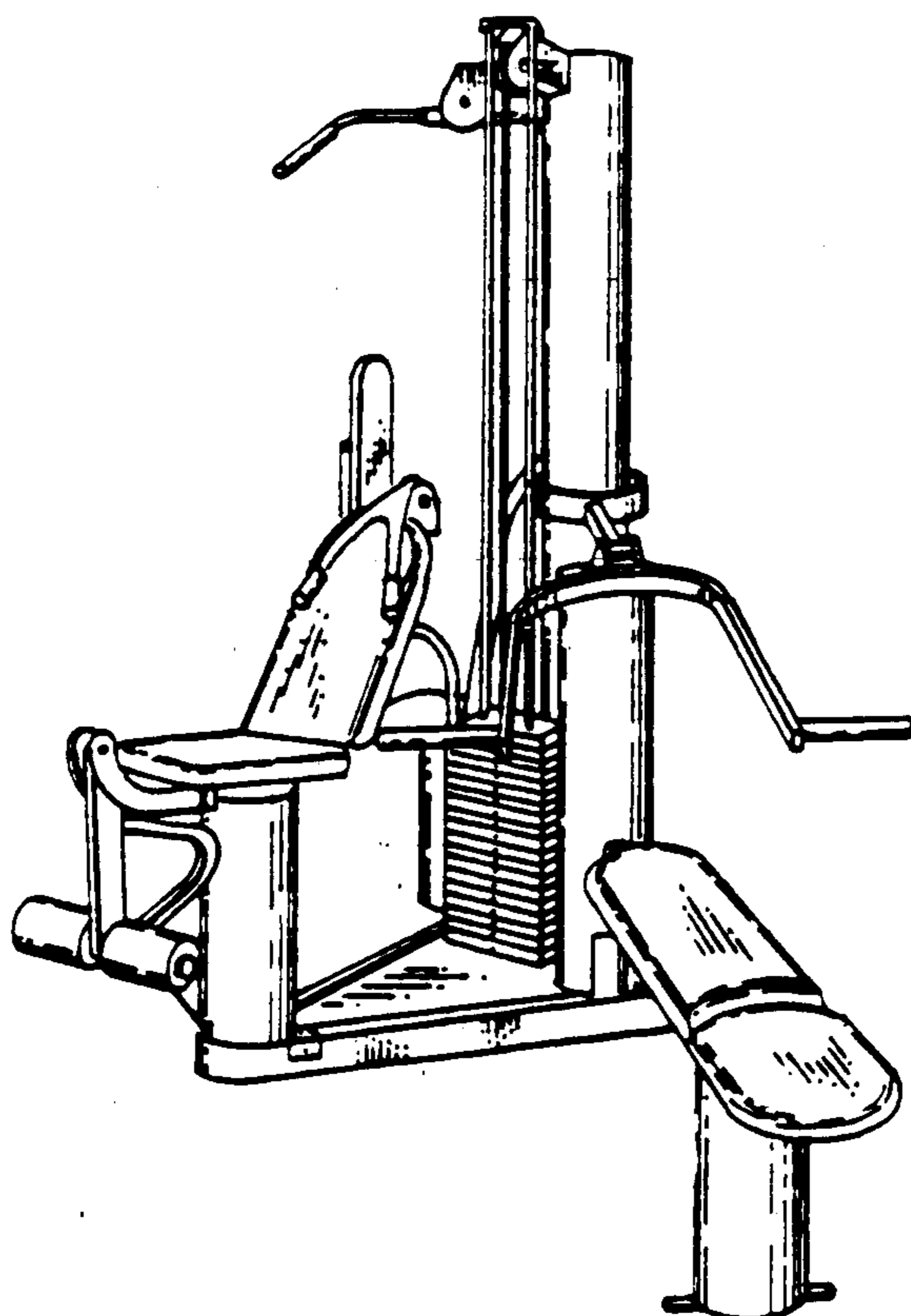


FIG. 2

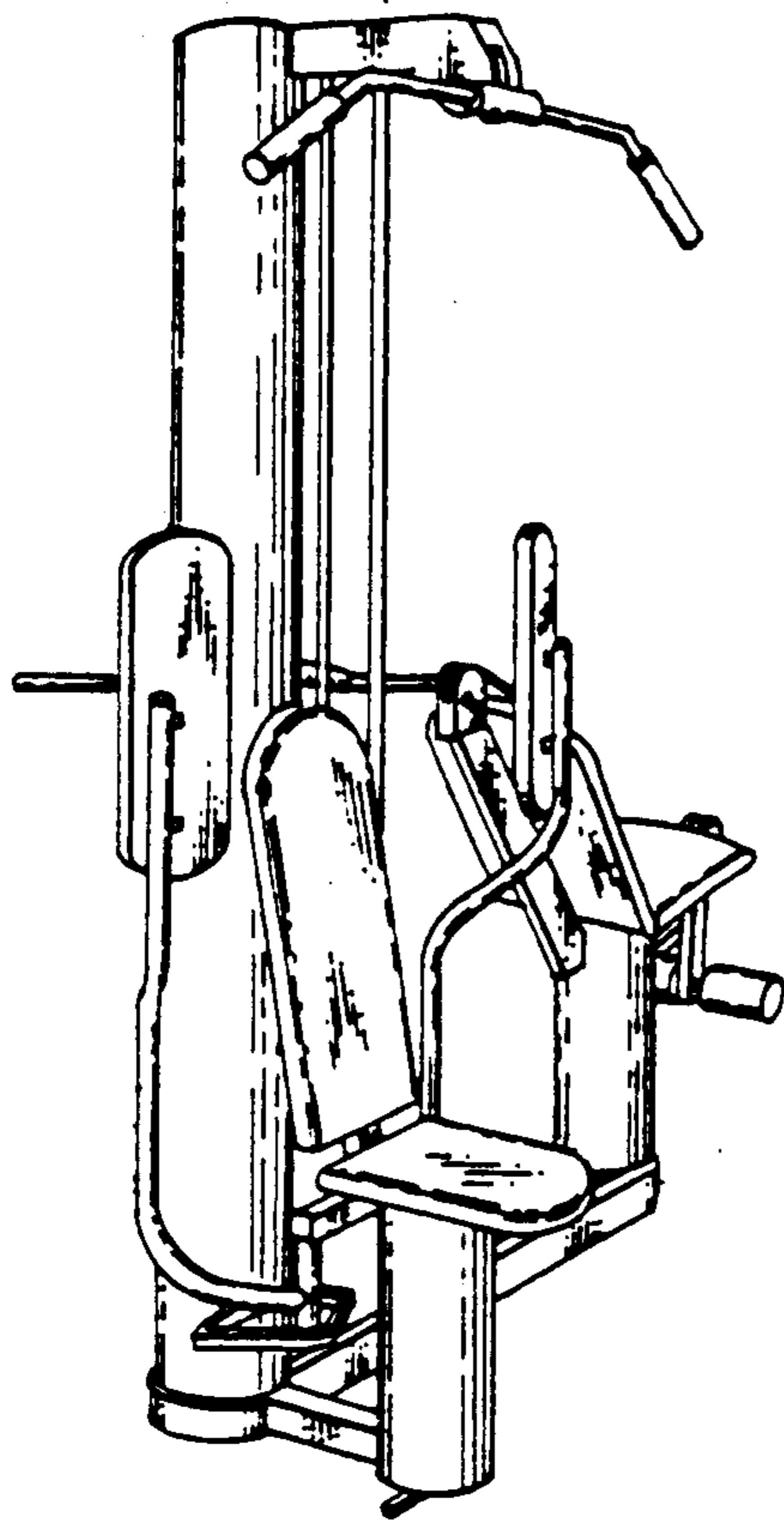


FIG. 3

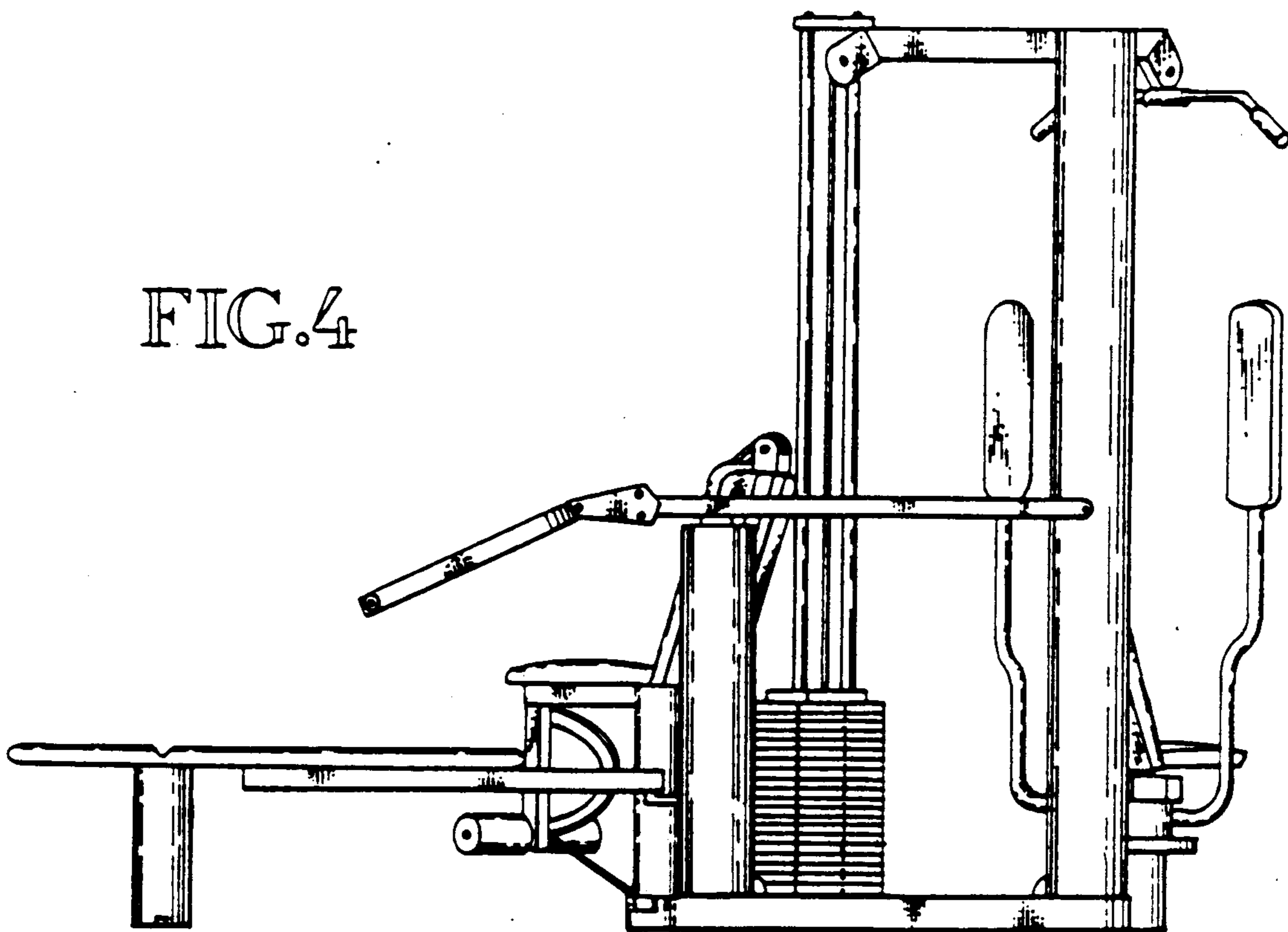


FIG. 4