

[54] **PHYSICAL EXERCISER**

[75] **Inventors: Arthur B. Ish, III, Redmond; Loyd C. Moore, Bellevue; Jeffrey B. Johnson, Redmond, all of Wash.**

[73] **Assignee: Vectra Fitness, Inc., Redmond, Wash.**

[**] **Term: 14 Years**

[21] **Appl. No.: 246,162**

[22] **Filed: Sep. 16, 1988**

[52] **U.S. Cl. D21/195**

[58] **Field of Search D21/191, 195, 196, 198, D21/194; 272/117, 118, 133, 134, 144, 73**

4,509,746 4/1985 Mask 272/134
 4,643,420 2/1987 Riley et al. .
 4,691,916 9/1987 Voris 272/118
 4,697,809 10/1987 Rockwell 272/118
 4,804,179 2/1989 Murphy et al. 272/117
 4,900,018 2/1990 Ish, III et al. 272/118

FOREIGN PATENT DOCUMENTS

3326426 1/1985 Fed. Rep. of Germany 272/118
 197803 8/1976 Netherlands .
 2158362 11/1985 United Kingdom .

OTHER PUBLICATIONS

Marcy Physical Equipment, 1983, item #7030, top right of the page.

Primary Examiner—Bernard Ansher
Assistant Examiner—Prabhakar Deshmukh
Attorney, Agent, or Firm—Seed and Berry

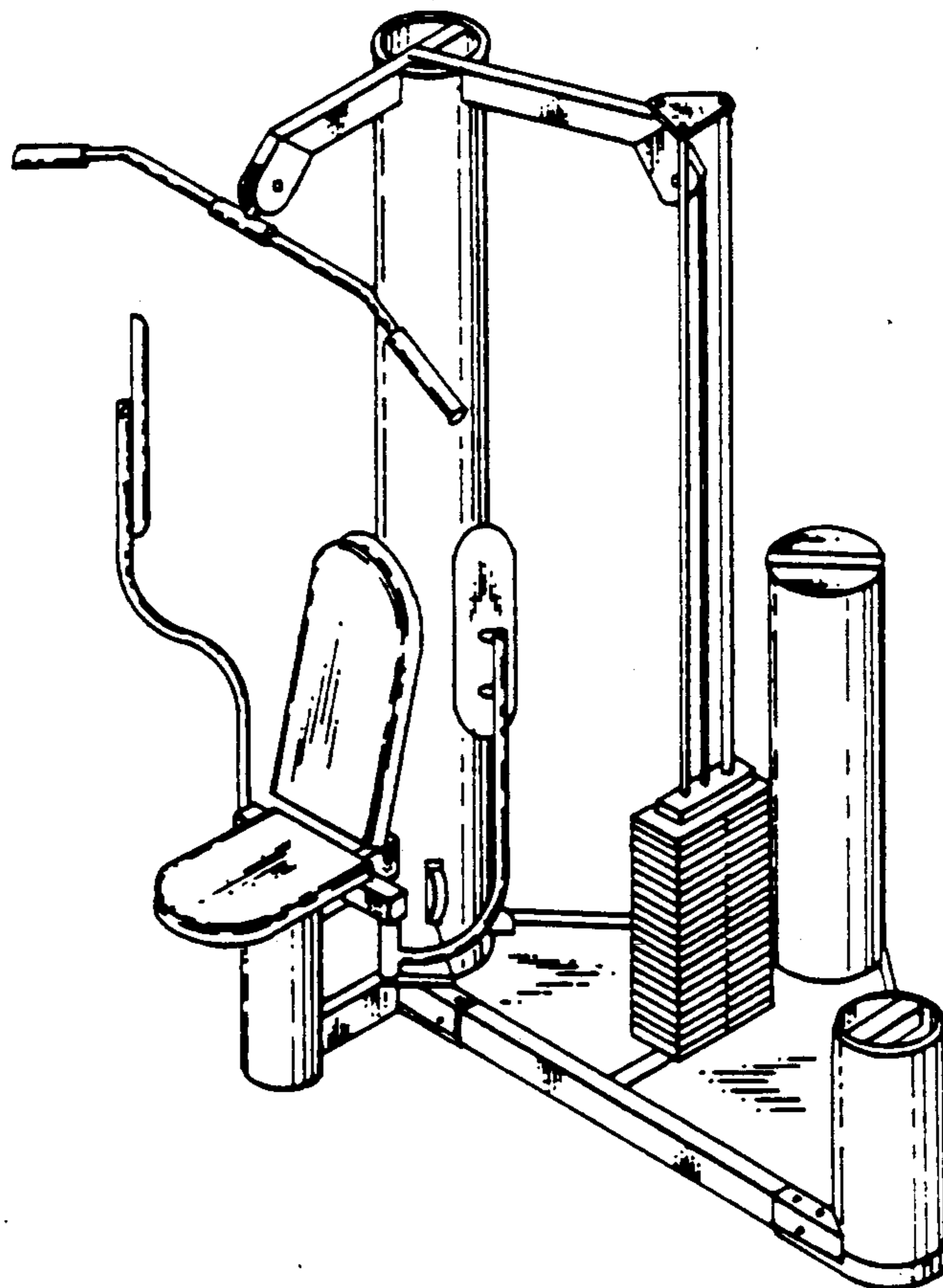
[56] **References Cited**
U.S. PATENT DOCUMENTS

D. 262,812 1/1982 Lambert, Jr. et al. D21/195
 D. 296,709 7/1988 Gvoich et al. D21/195
 723,625 3/1903 Thornley .
 2,648,540 8/1953 Hunter .
 2,977,120 3/1961 Morris .
 3,640,528 2/1972 Proctor .
 4,211,403 7/1980 Caffaro et al. 273/134
 4,372,553 2/1983 Hatfield .
 4,390,179 6/1983 Szkalak 272/118
 4,456,245 6/1984 Baldwin 272/118
 4,505,475 3/1985 Olschansky et al. 272/118

[57] **CLAIM**
 The ornamental design for a physical exerciser, as shown and described.

DESCRIPTION

FIG. 1 is a top perspective view of a physical exerciser showing our new design;
 FIG. 2 is a front perspective view thereof;
 FIG. 3 is a rear perspective view thereof; and
 FIG. 4 is a side elevational view thereof.



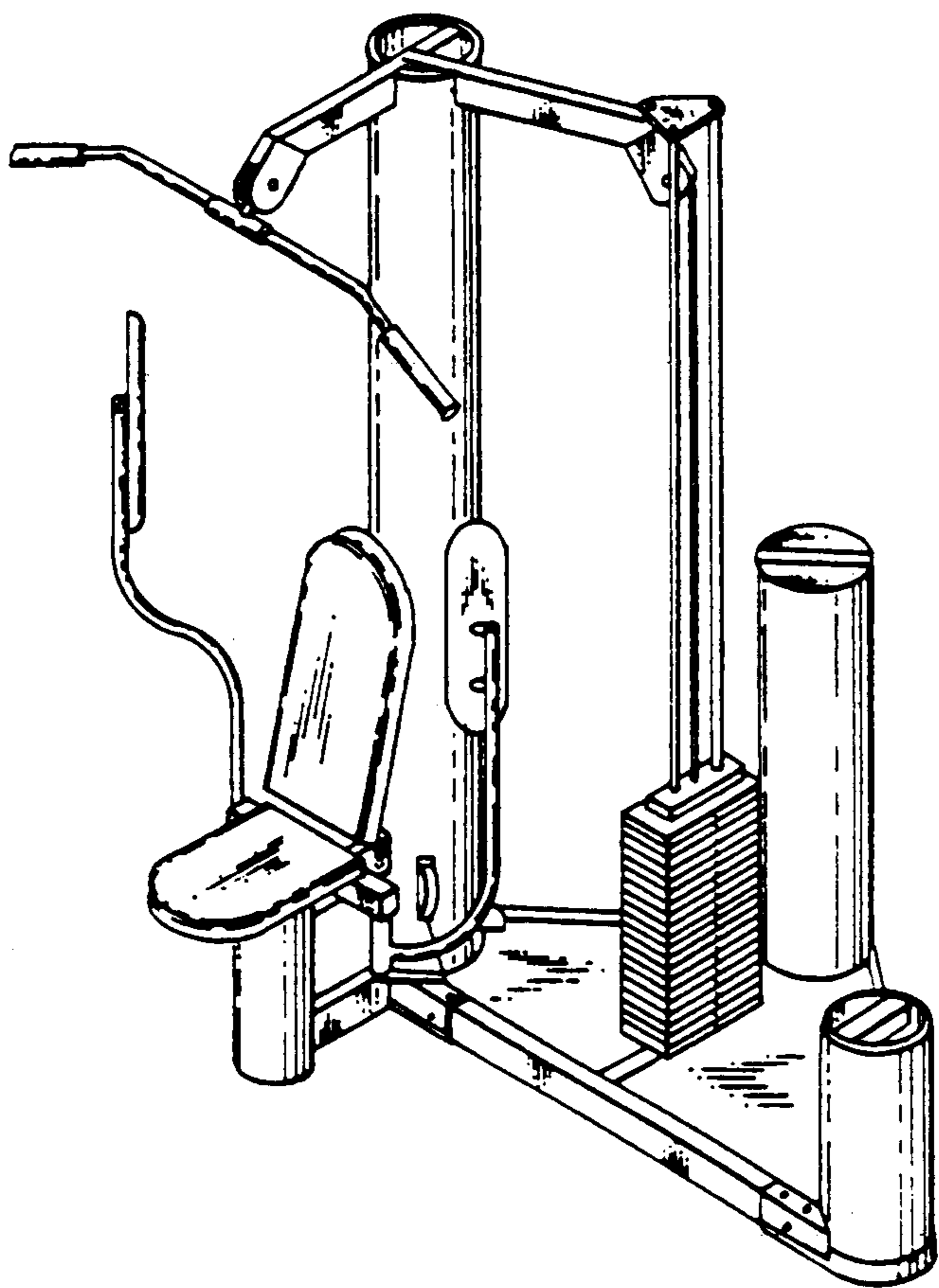


FIG. 1

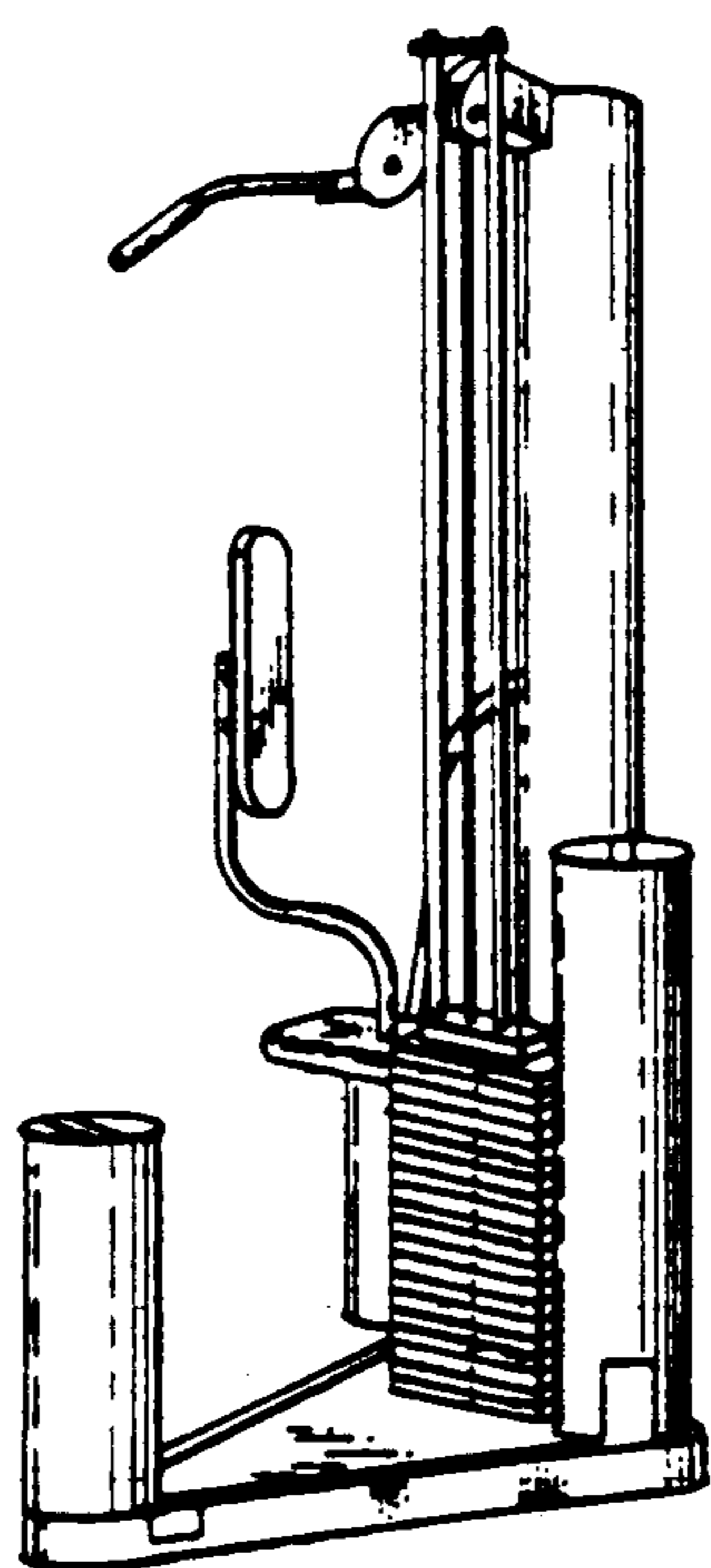


FIG. 2

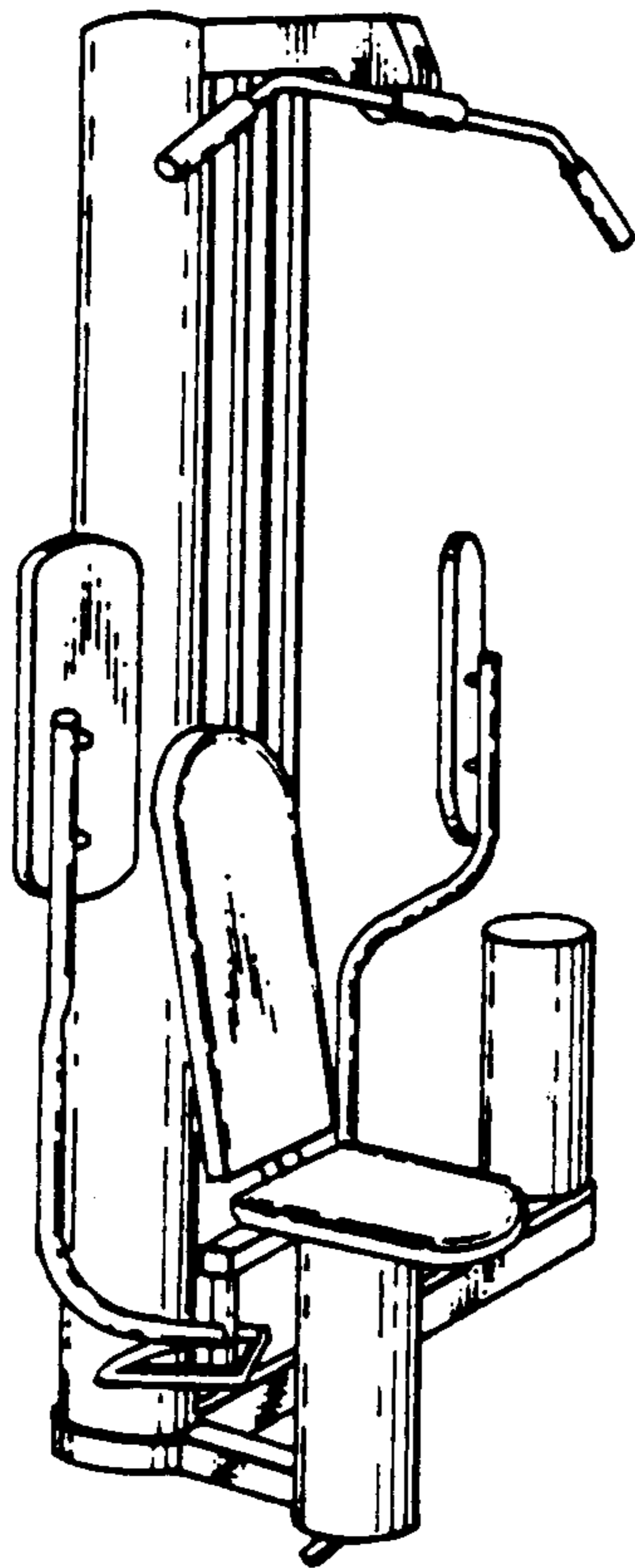


FIG. 3

FIG. 4

