

[54] EXERCISE STAND

3,521,881 7/1970 Schaevitz 272/93

[76] Inventor: Patrick C. Fitzpatrick, 82 Calle Pensamiento, El Paraiso Baja, Estepona, Marbella, Spain

Primary Examiner—Charles A. Rademaker
Attorney, Agent, or Firm—Mason, Fenwick & Lawrence

[**] Term: 14 Years

[57] CLAIM

[21] Appl. No.: 439,863

An ornamental design for an exercise stand, as shown and described.

[22] Filed: Nov. 21, 1989

DESCRIPTION

[30] Foreign Application Priority Data

Jun. 3, 1989 [GB] United Kingdom 1059937

[52] U.S. Cl. D21/191

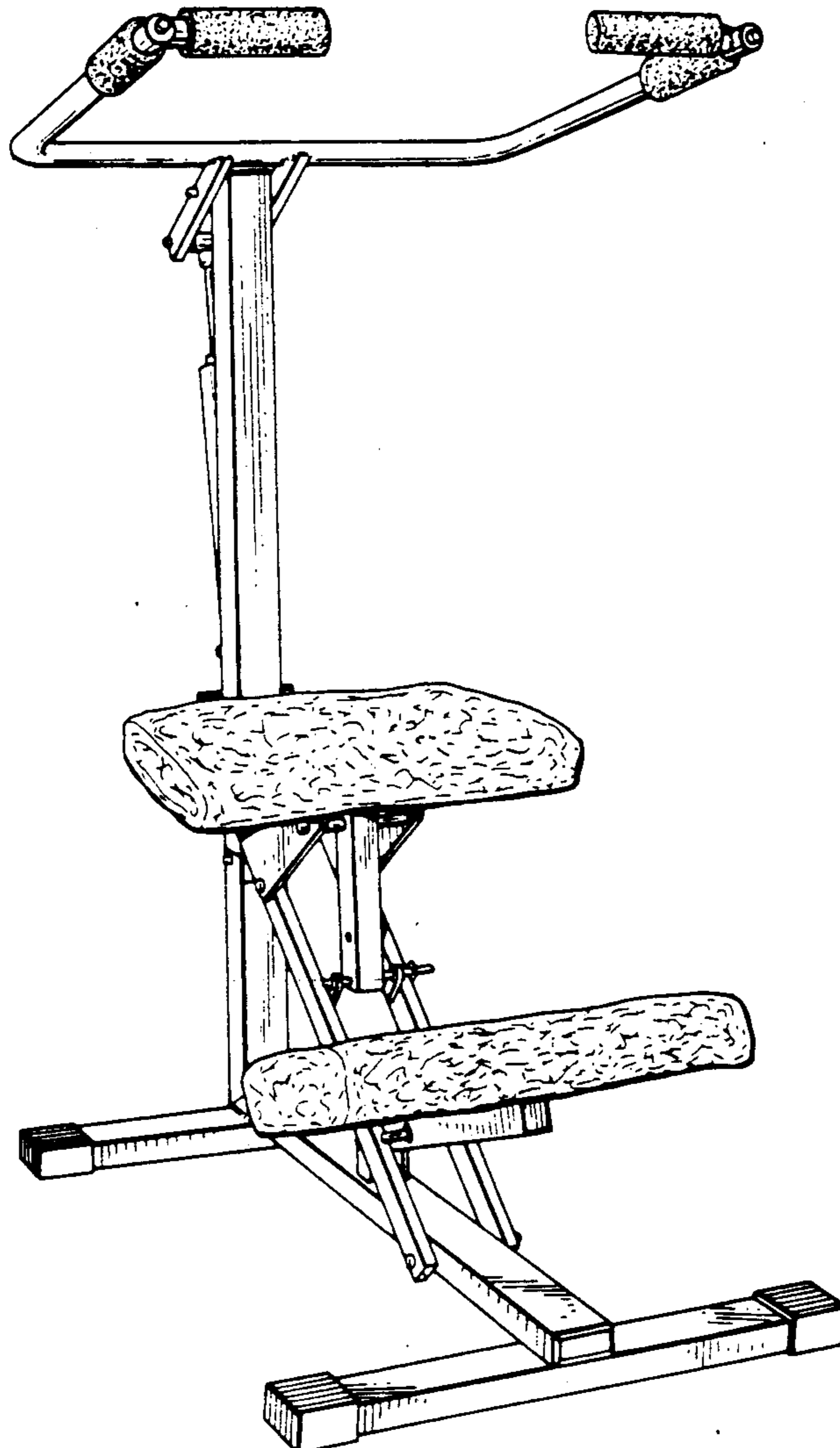
[58] Field of Search D21/191-199;
272/43, 67, 68, 125, 134, 143, 144, DIG. 700

FIG. 1 is a front perspective view of an exercise stand showing my new design;
FIG. 2 is another form perspective view thereof with the back of the design in an alternate position;
FIG. 3 is a perspective view thereof in an alternate position;
FIG. 4 is a side elevational view thereof;
FIG. 5 is a side elevational view of the side opposite that shown in FIG. 4;
FIG. 6 is a top plan view thereof;
FIG. 7 is a bottom plan view thereof;
FIG. 8 is a front elevational view thereof; and
FIG. 9 is a rear elevational view thereof.

[56] References Cited

U.S. PATENT DOCUMENTS

- D. 216,721 3/1970 Sassenberg D21/191
- D. 290,033 5/1987 Policastro D21/191
- D. 299,501 1/1989 Howze D21/191



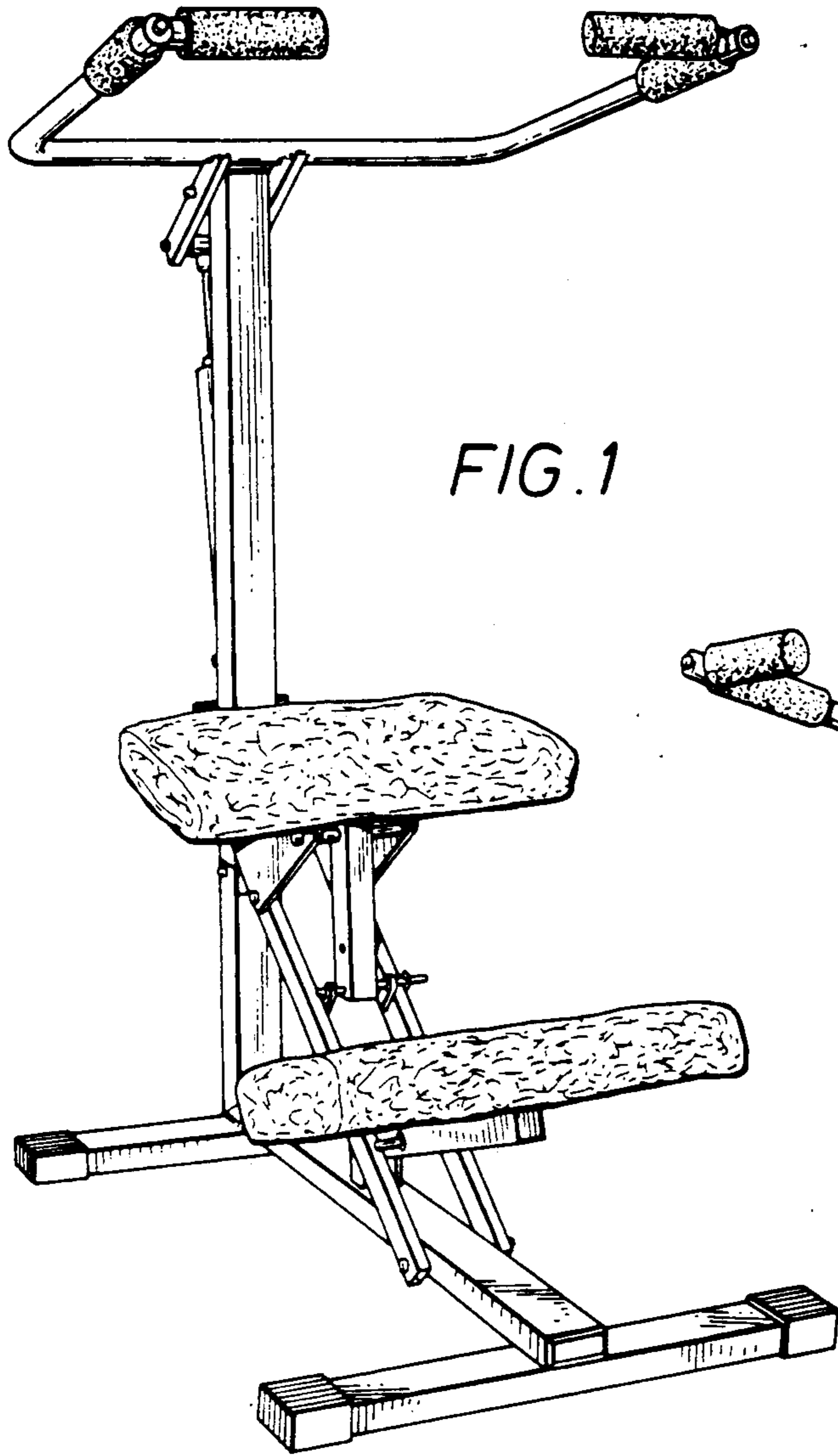


FIG. 1

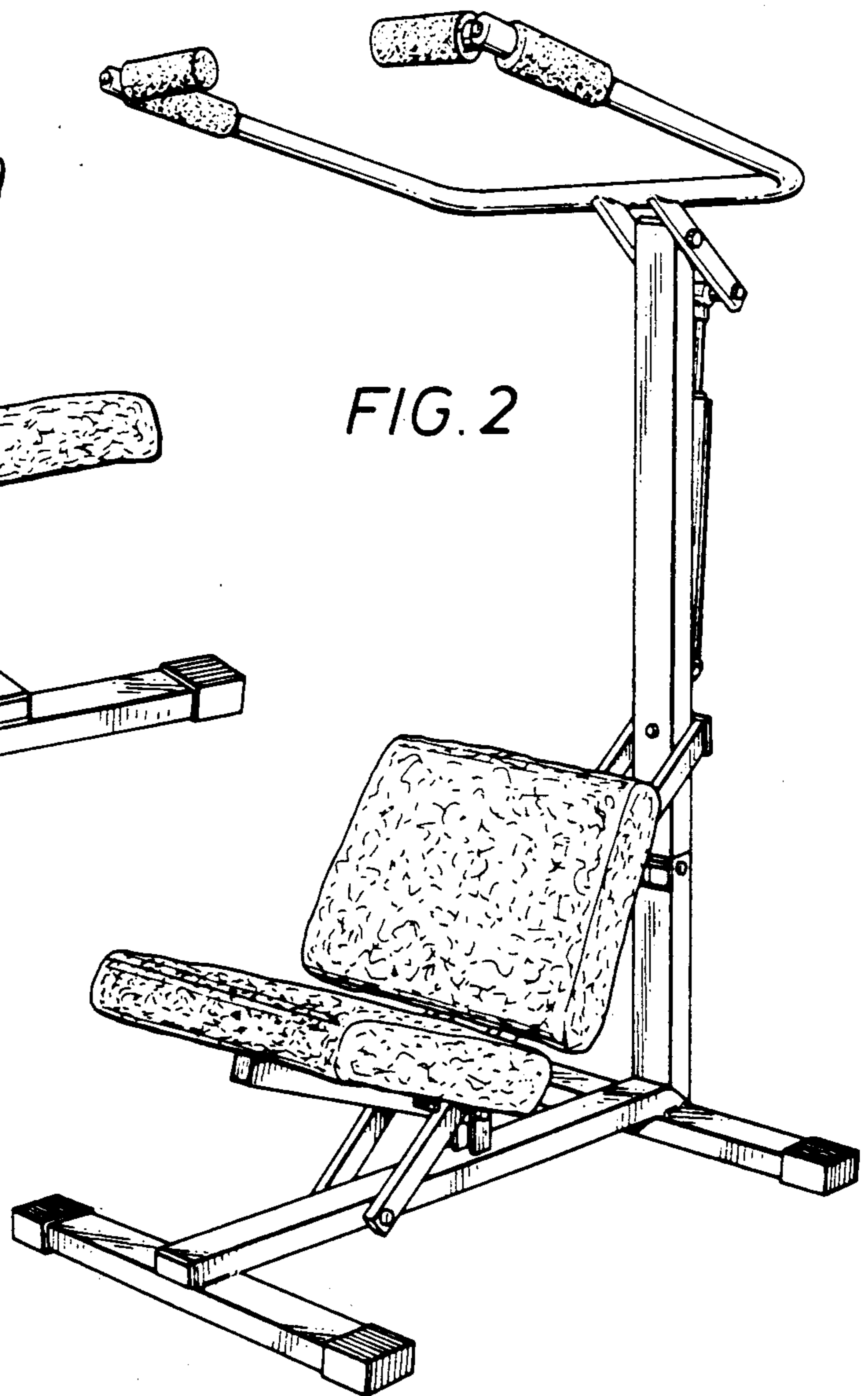
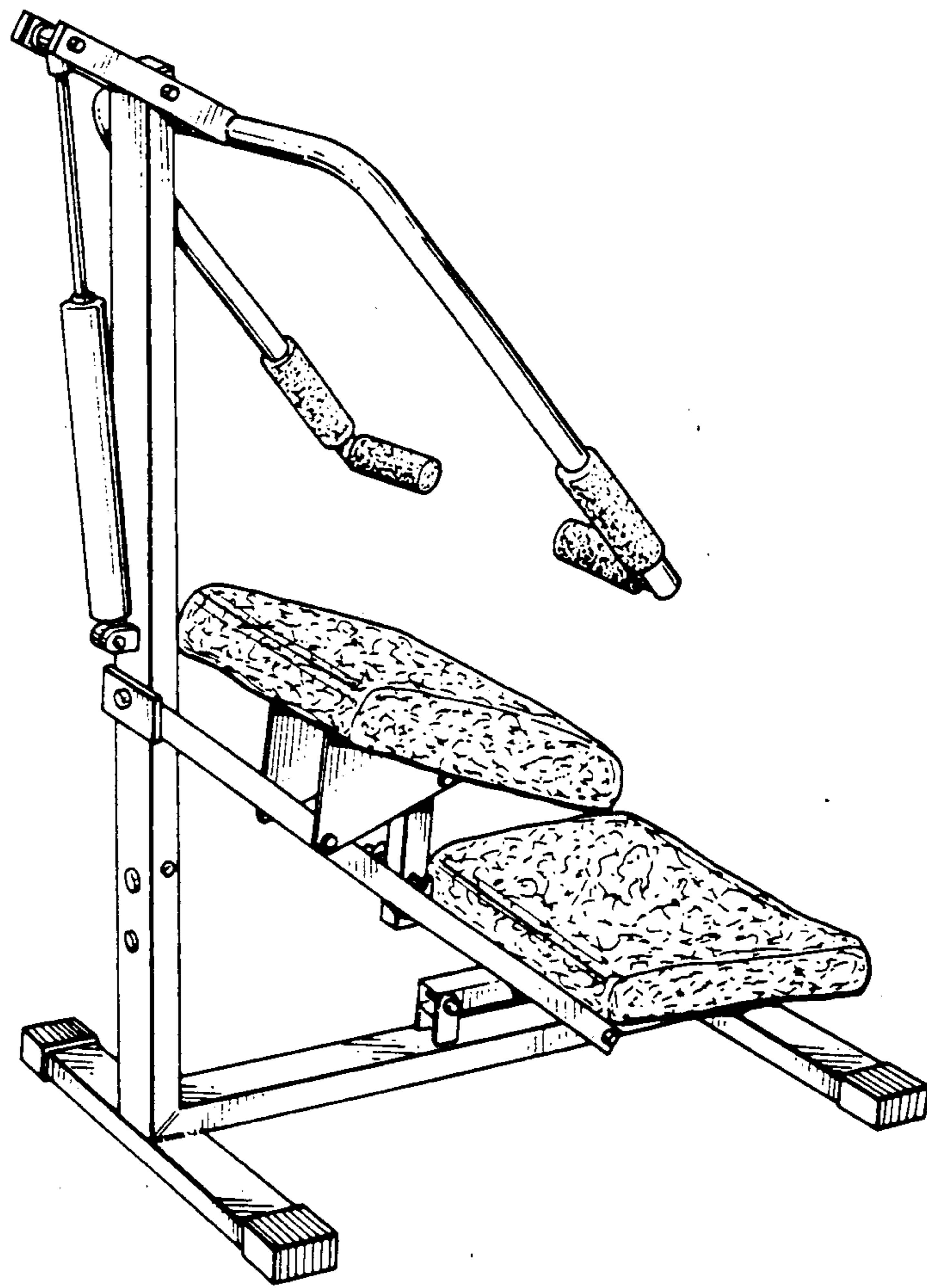


FIG. 2

FIG. 3



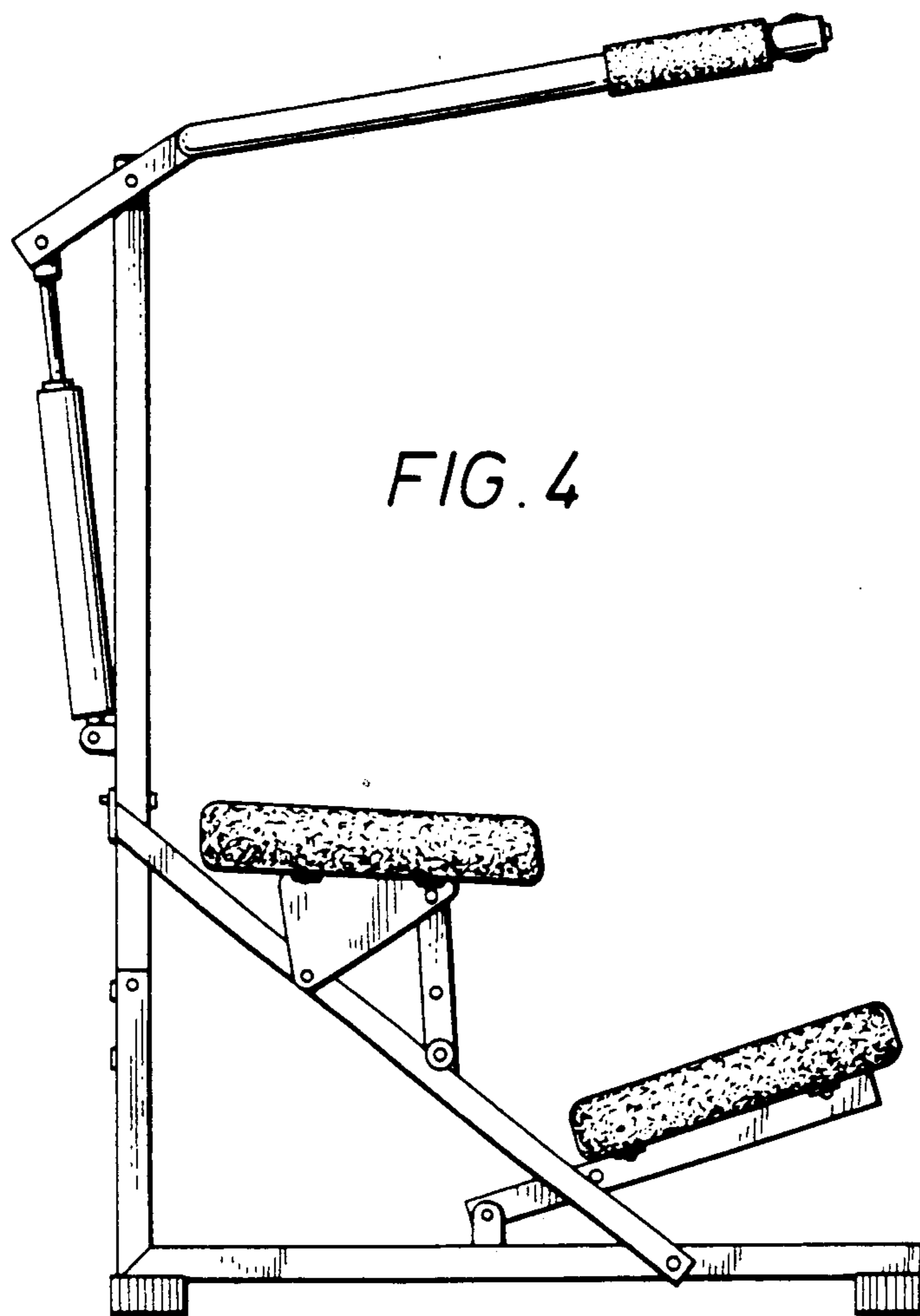


FIG. 4

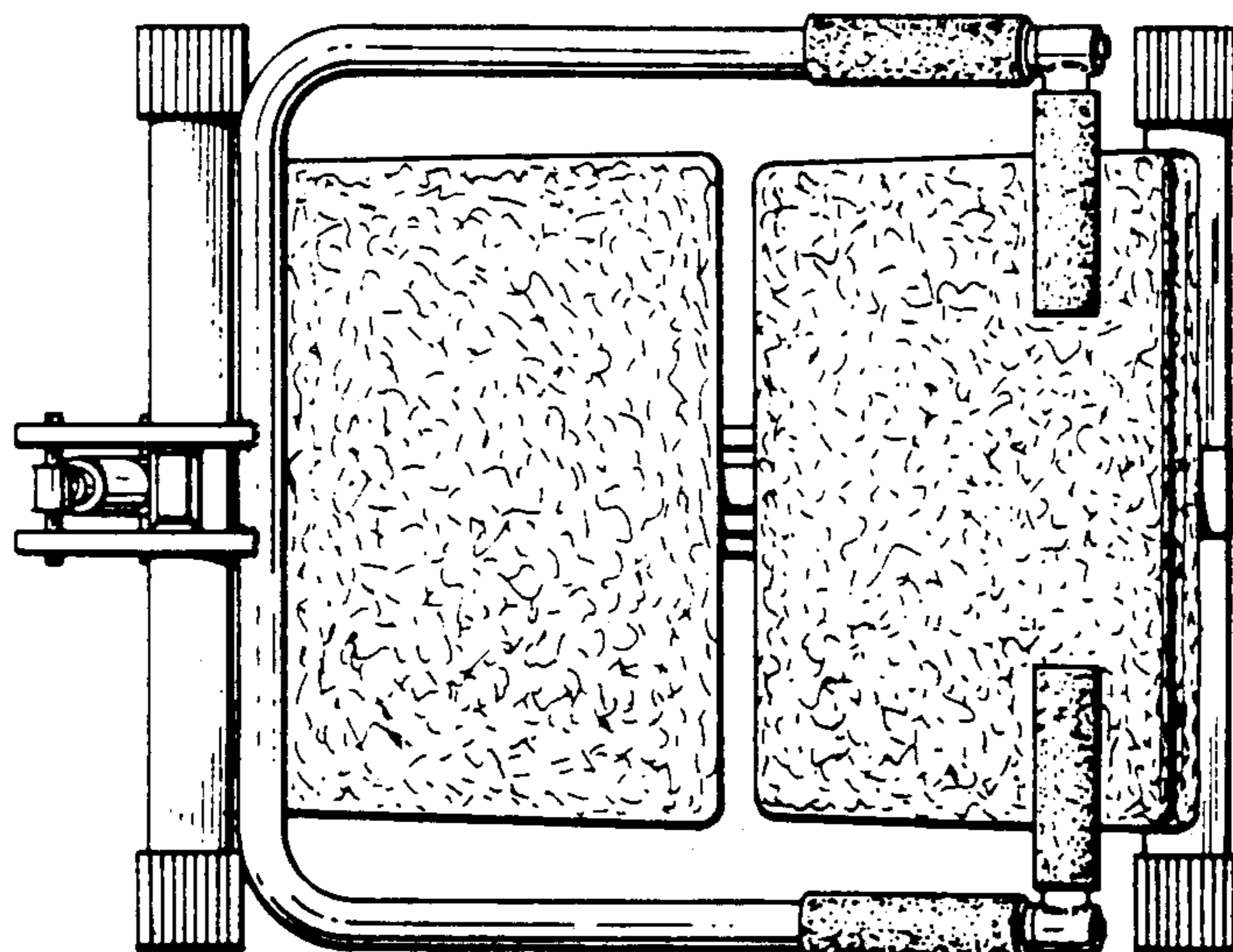


FIG. 6

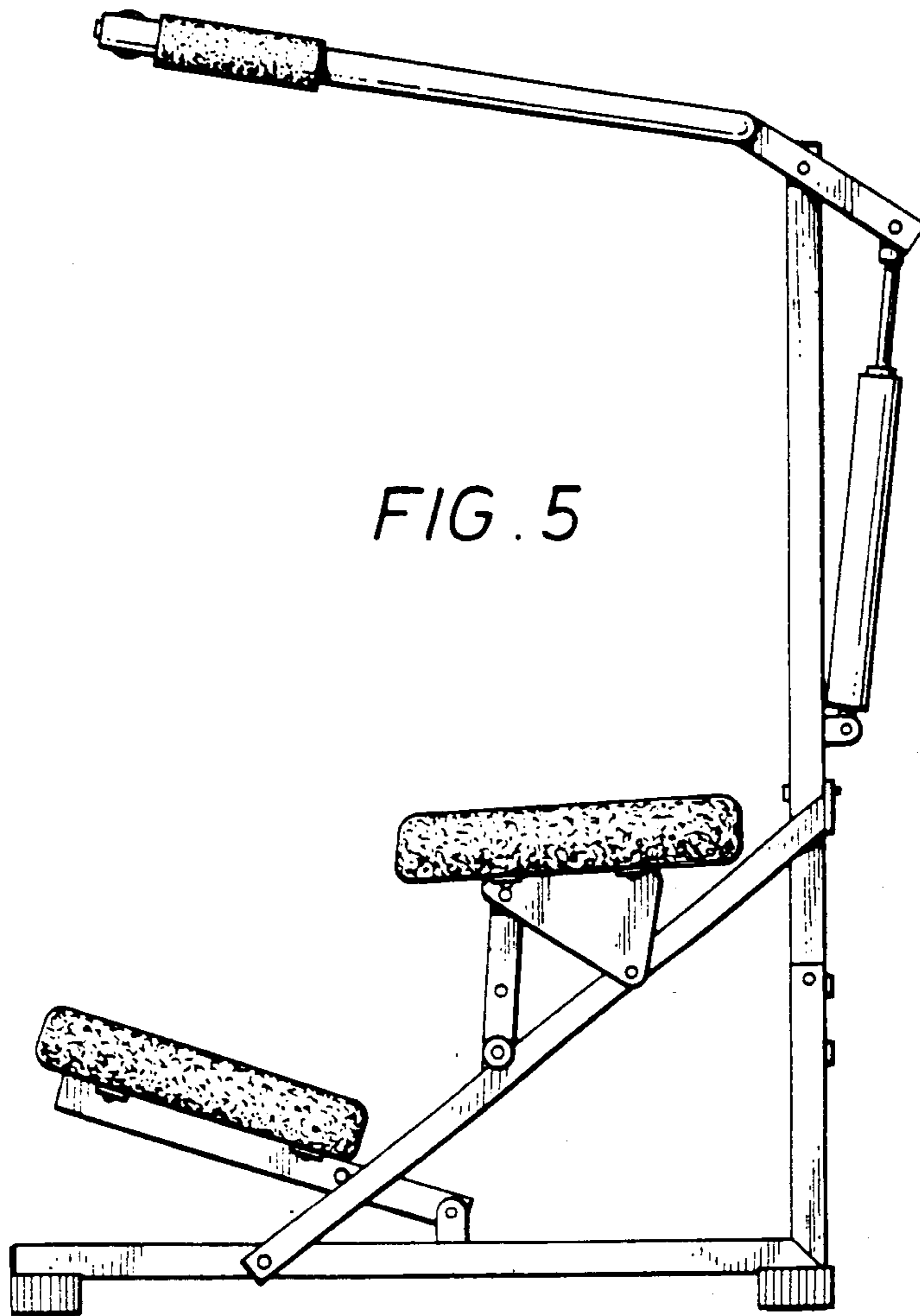


FIG. 5

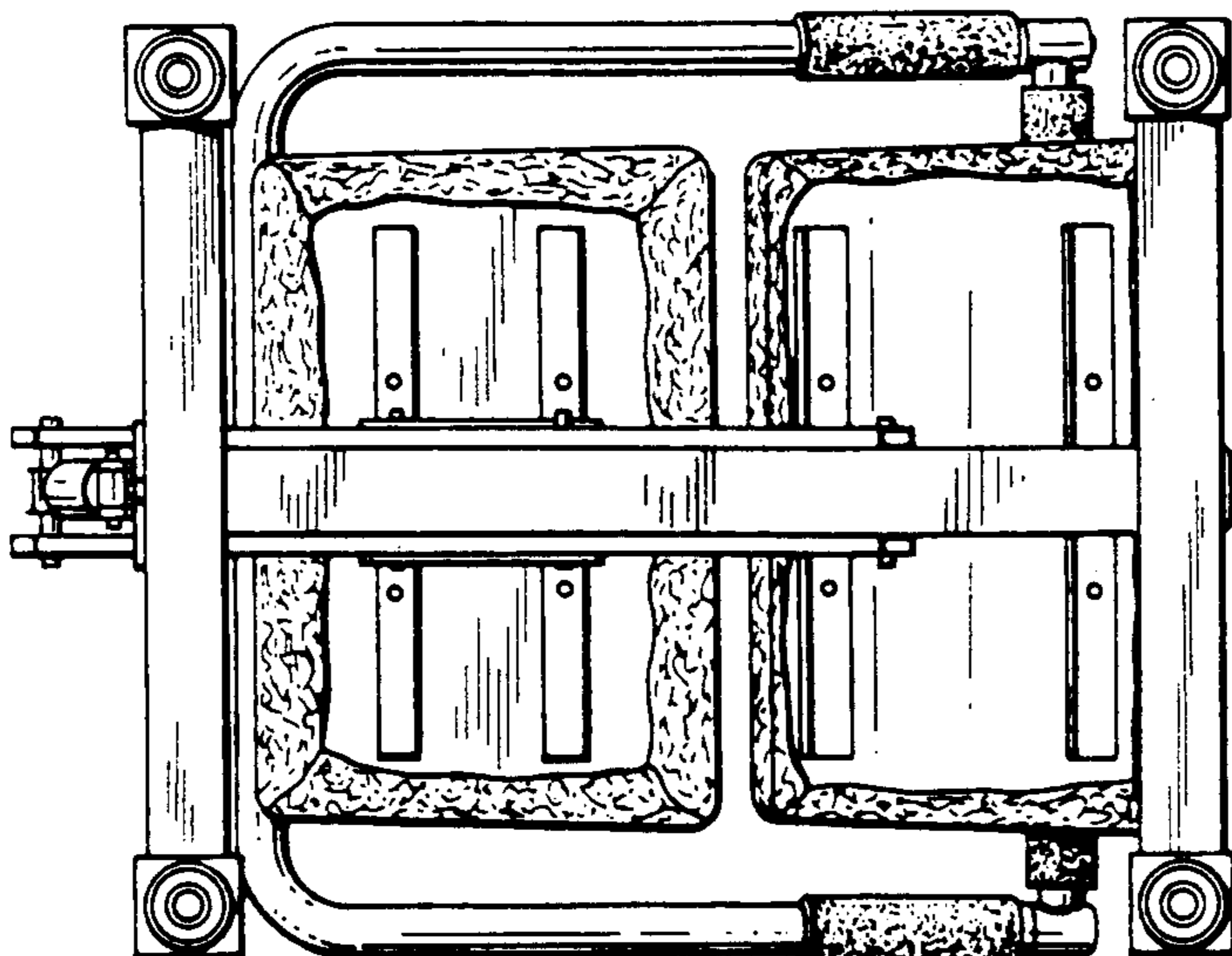


FIG. 7

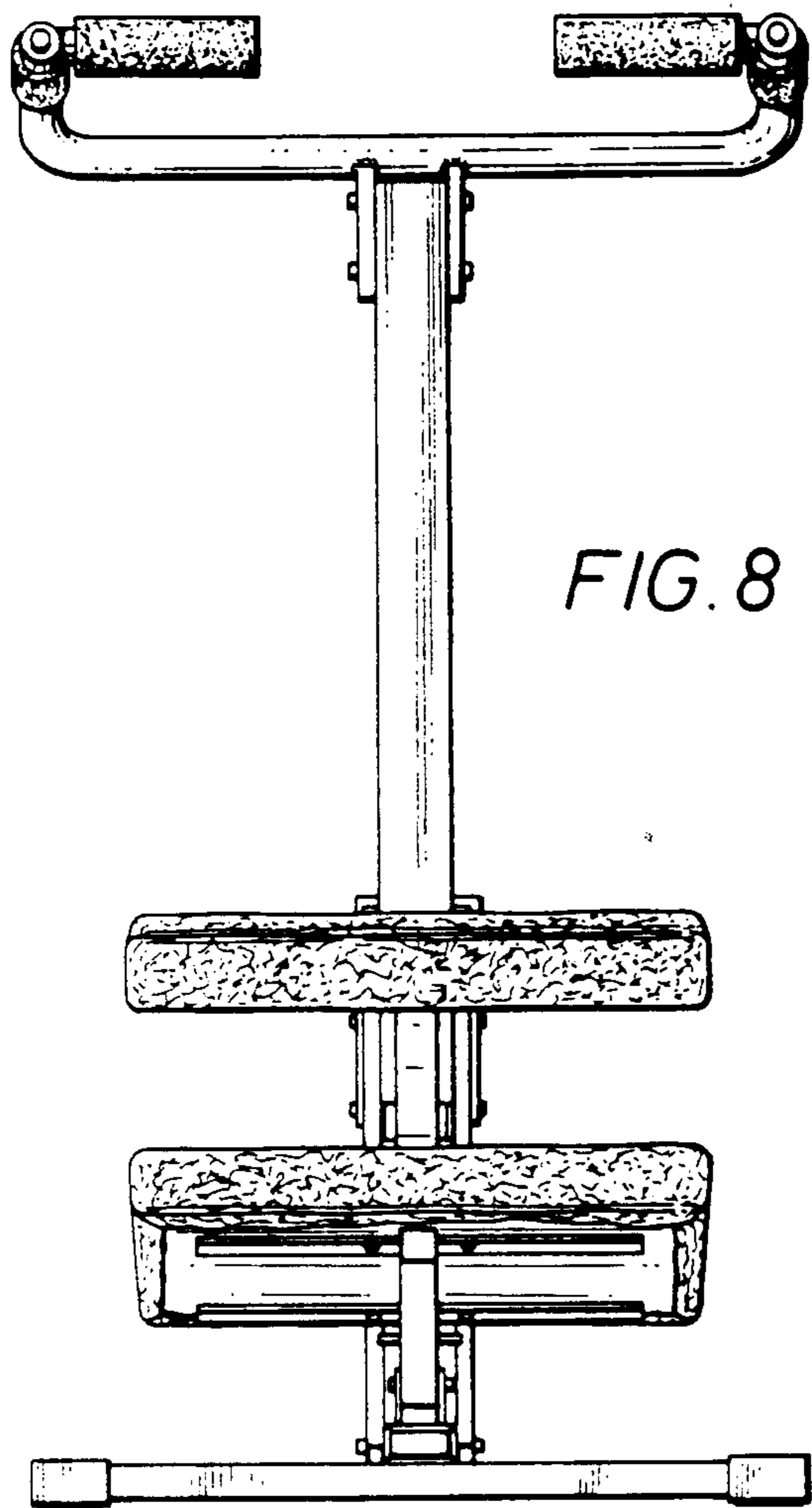


FIG. 8

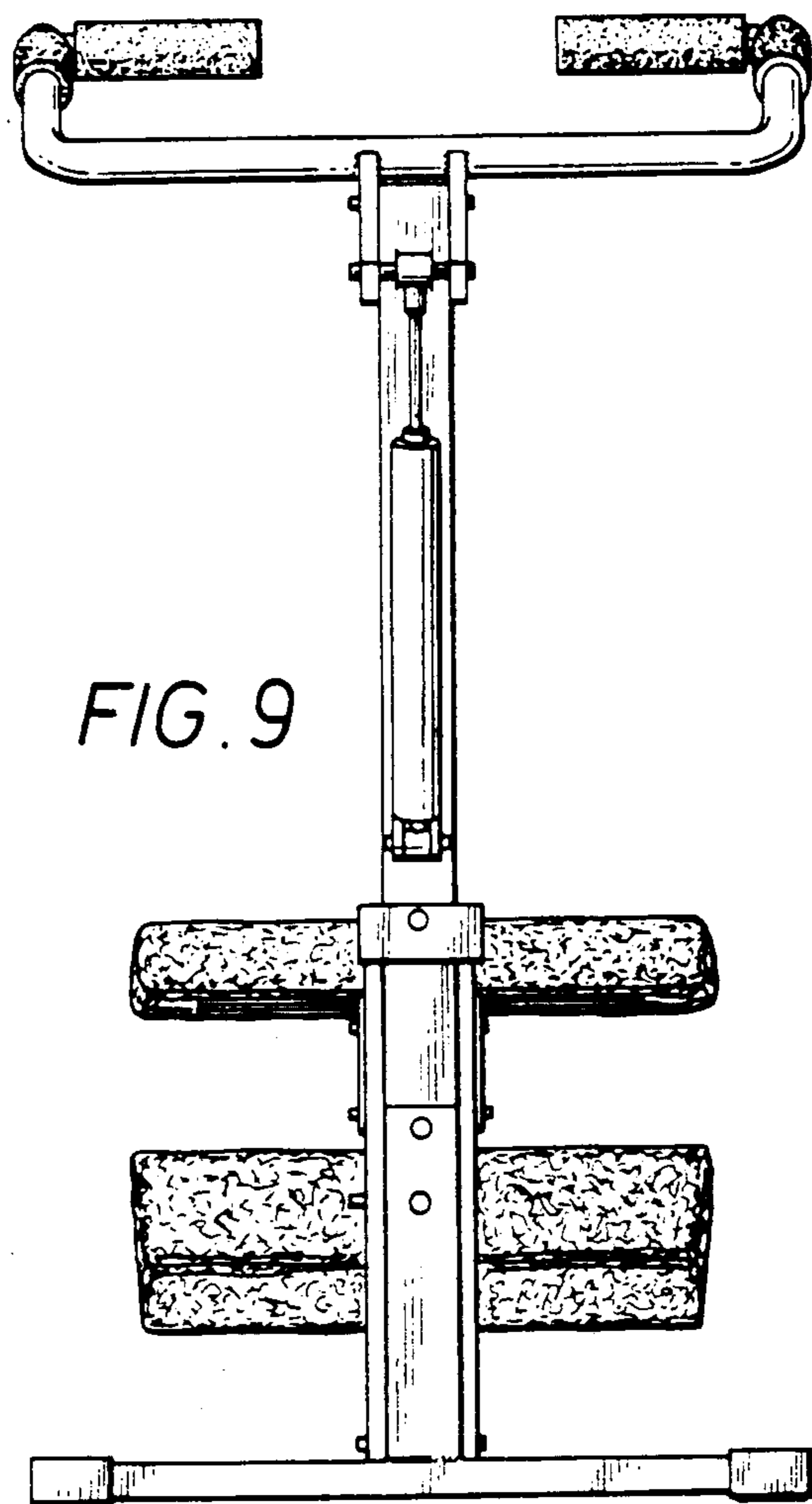


FIG. 9