

[54] **ERASER**

[76] **Inventor: Thomas G. Frazier, Waterside Industrial Park, Box B113, R.D. 2, New Hope, Pa. 18938**

[\*\*] **Term: 14 Years**

[21] **Appl. No.: 207,440**

[22] **Filed: Jun. 16, 1988**

[52] **U.S. Cl. .... D19/53; D19/65; D19/100**

[58] **Field of Search .... D19/53, 65, 35, 36, D19/99, 100; 15/208, 424, 231, 230.17, 232; 51/401, 391, 394, 406, 407**

[56] **References Cited**

**U.S. PATENT DOCUMENTS**

7,400	11/1867	Higgins	15/231
144,764	11/1873	Holly	15/231
187,682	2/1877	Vannice	15/231
233,378	10/1880	Siberling	15/231
402,570	5/1889	Davis	15/231
428,585	5/1890	Fanning	15/231
3,129,540	4/1964	Valles	15/231
3,201,817	8/1965	Atchley	15/231
4,937,910	7/1990	Frazier	15/231

**OTHER PUBLICATIONS**

Office Supplies Catalog (Bainbridge), ©1982, See p. 377, "Andrews", lower right-Desk Copy.  
Horders Inc., Office Supplies, see p. 185, lower right (Weber) desk copy.  
Arts & Crafts Inc., ©1971, see p. 117, lower right, "Hygieia Chalkboard Cleaners", desk copy.

*Primary Examiner*—Bruce W. Dunkins  
*Assistant Examiner*—Martha Thompson  
*Attorney, Agent, or Firm*—Z. T. Wobensmith, III

[57] **CLAIM**

The ornamental design for an eraser, as shown and described.

**DESCRIPTION**

FIG. 1 is a perspective view of an eraser showing my new design;  
FIG. 2 is a left end elevational view on an enlarged scale;  
FIG. 3 is a right end elevational view of FIG. 2;  
FIG. 4 is a top plan view of FIG. 2;  
FIG. 5 is a bottom plan view of FIG. 2;  
FIG. 6 is a perspective view on a reduced scale, the broken line depiction of the hand and the board fragment being for illustrative purposes only and forming no part of the claimed design; and  
FIG. 7 is a perspective view, with respect to FIG. 1 with a section of the holder portion broken away for convenience of illustration.

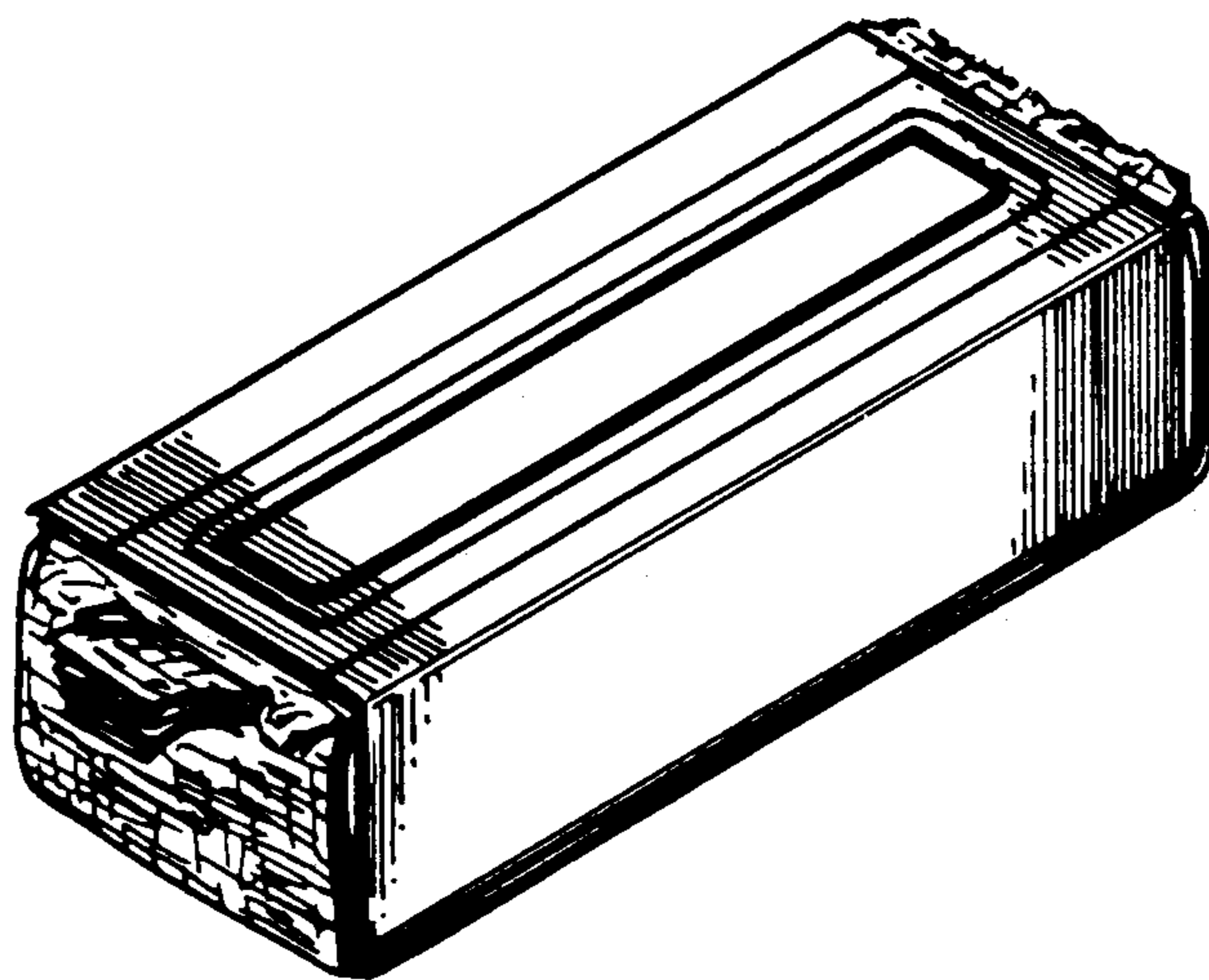


FIG. 1

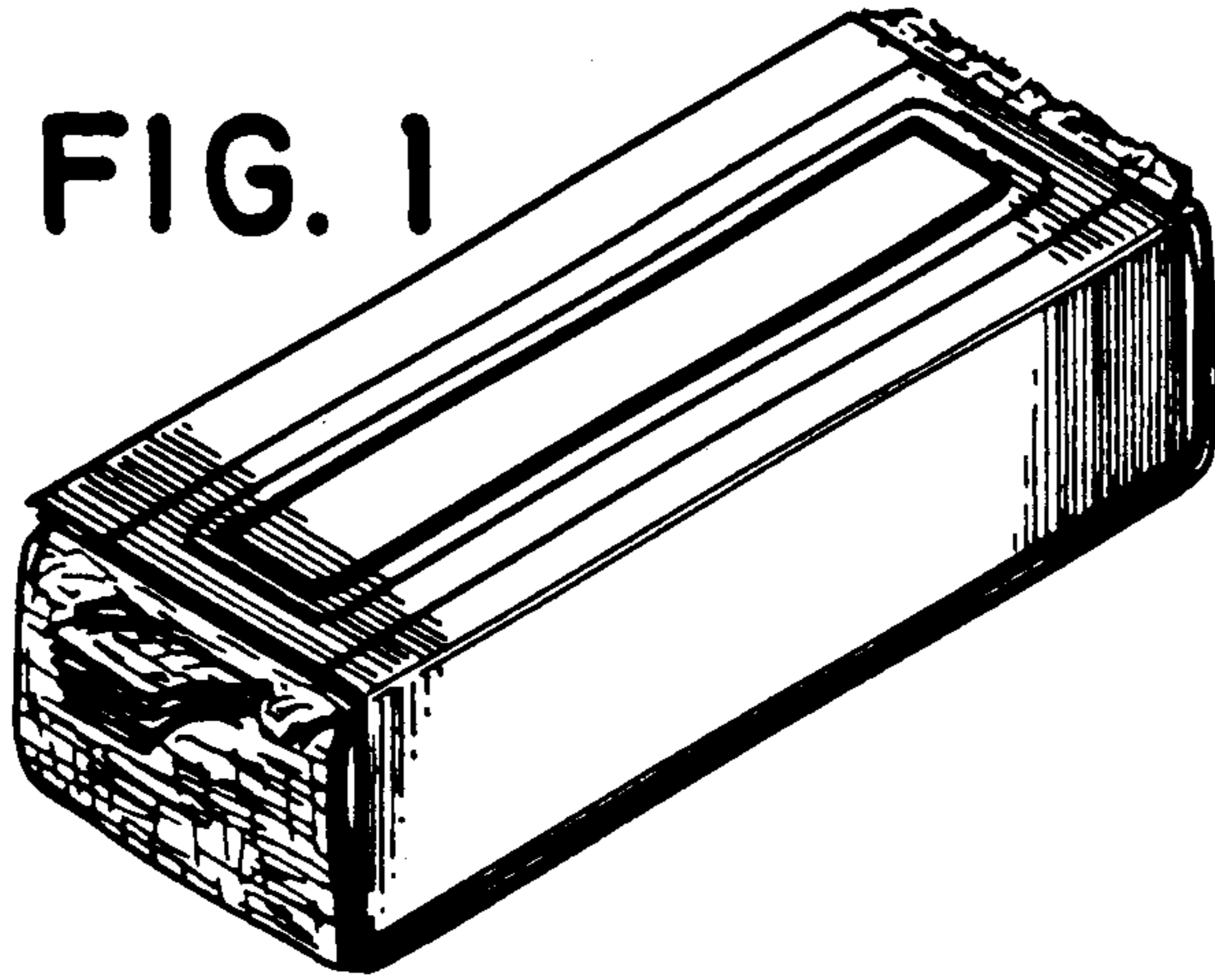


FIG. 2



FIG. 3

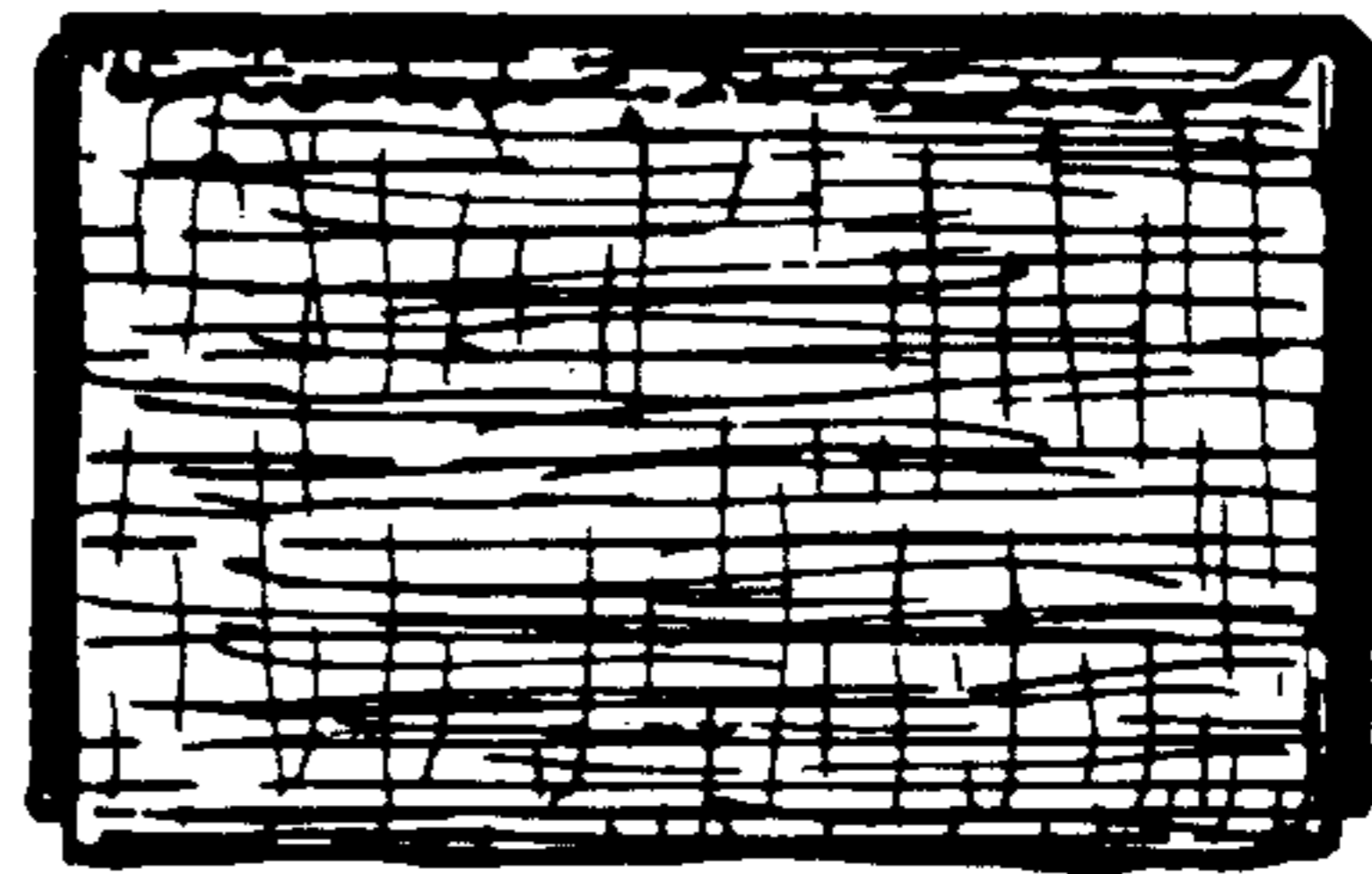


FIG. 4

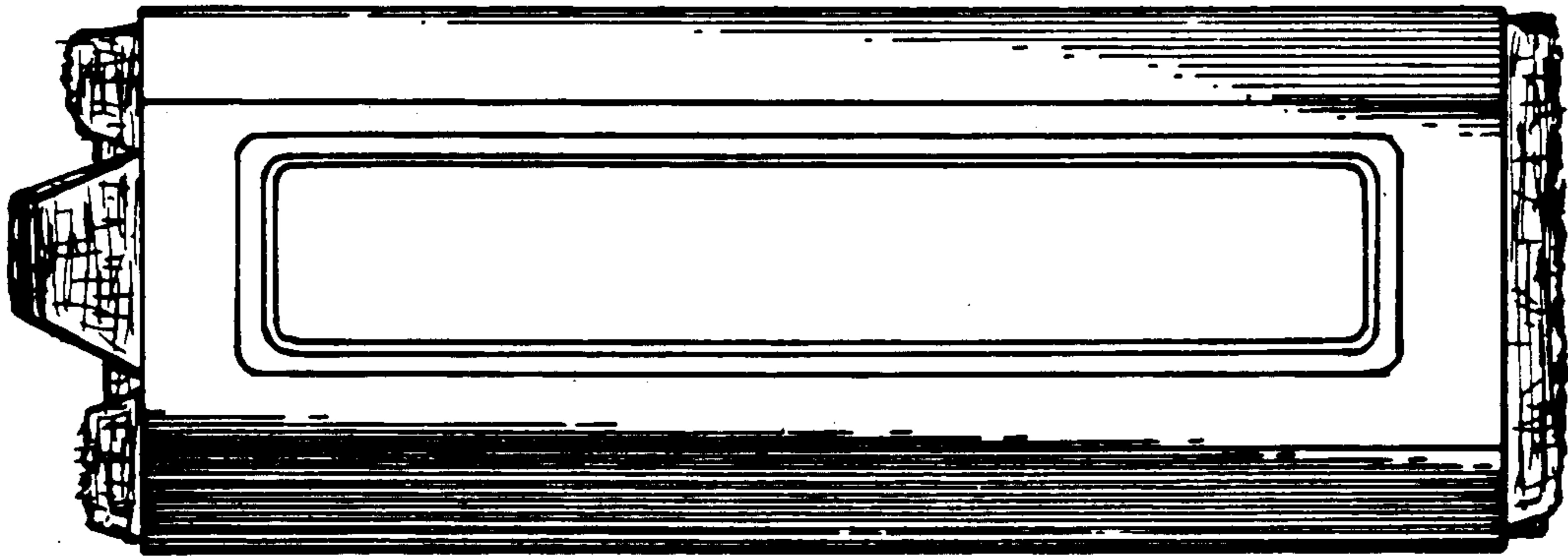
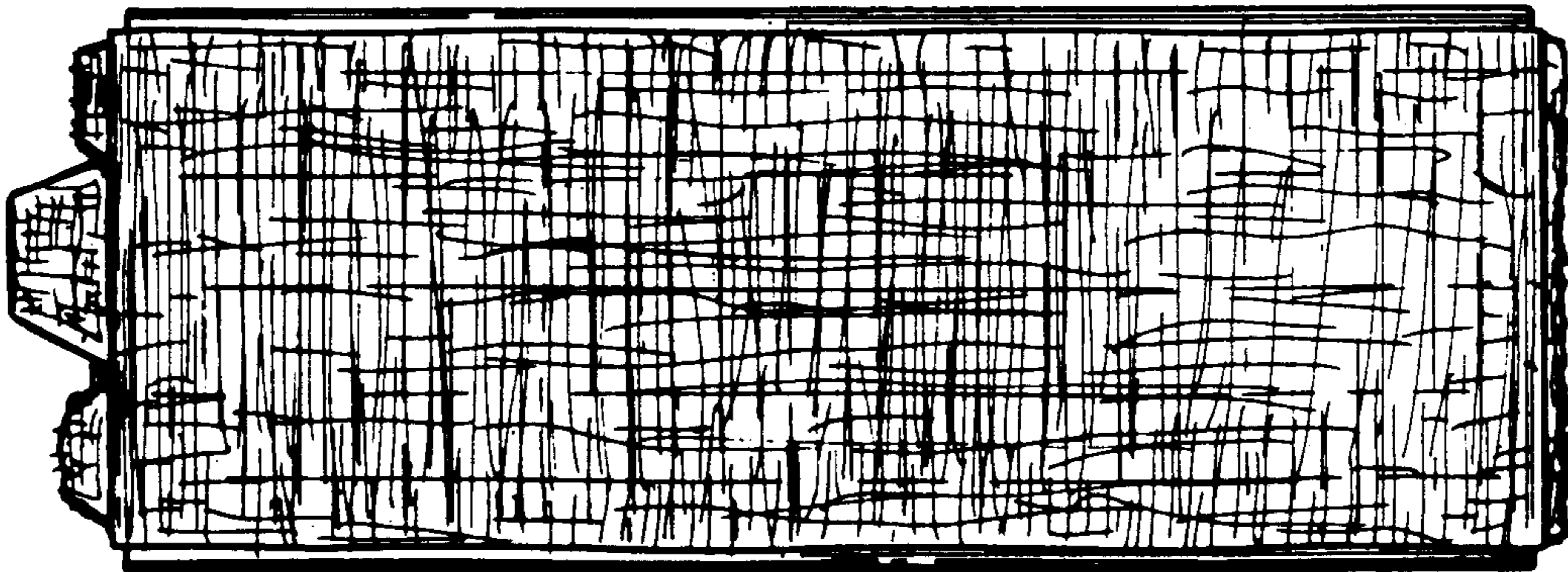


FIG. 5



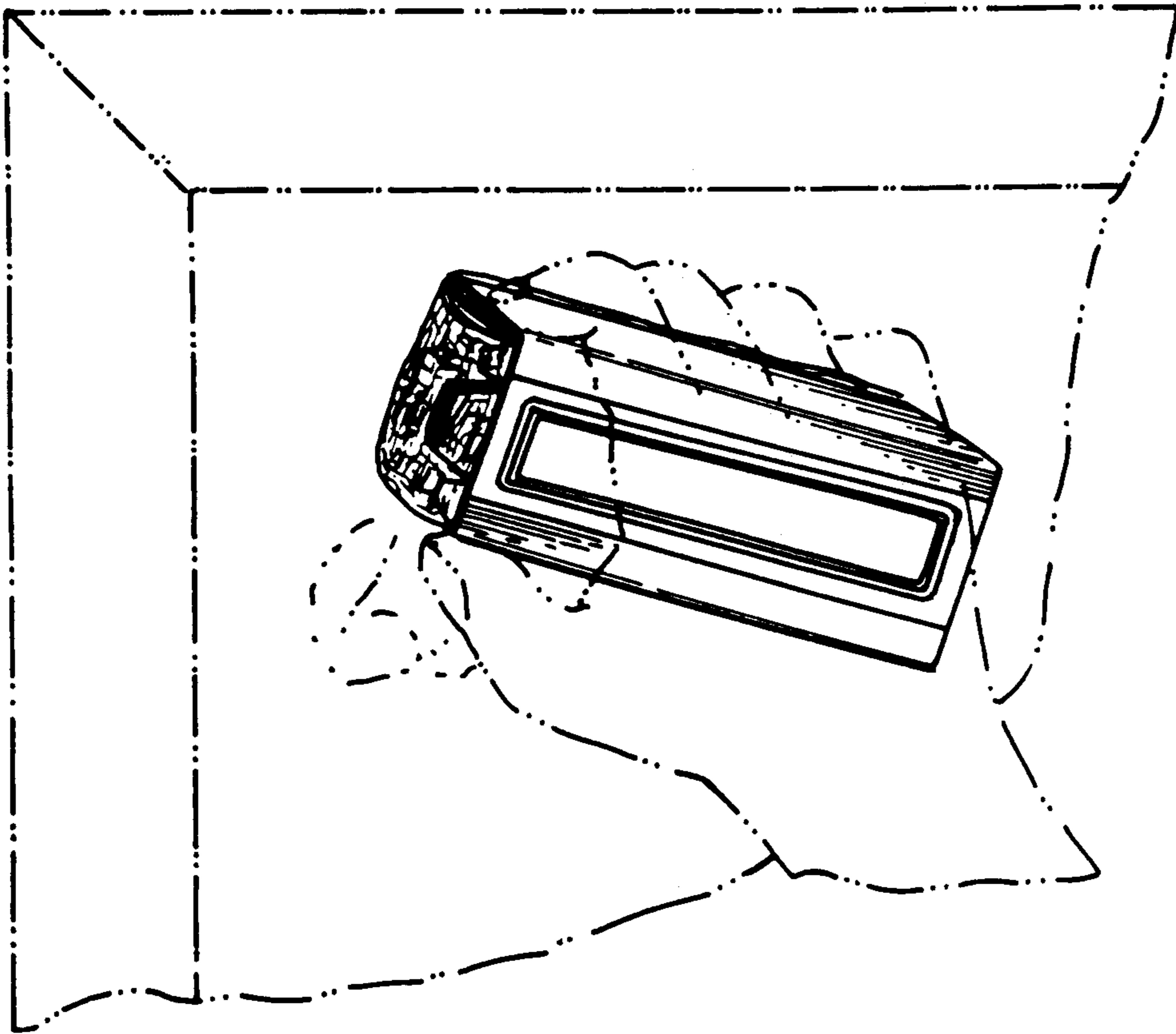


FIG. 6

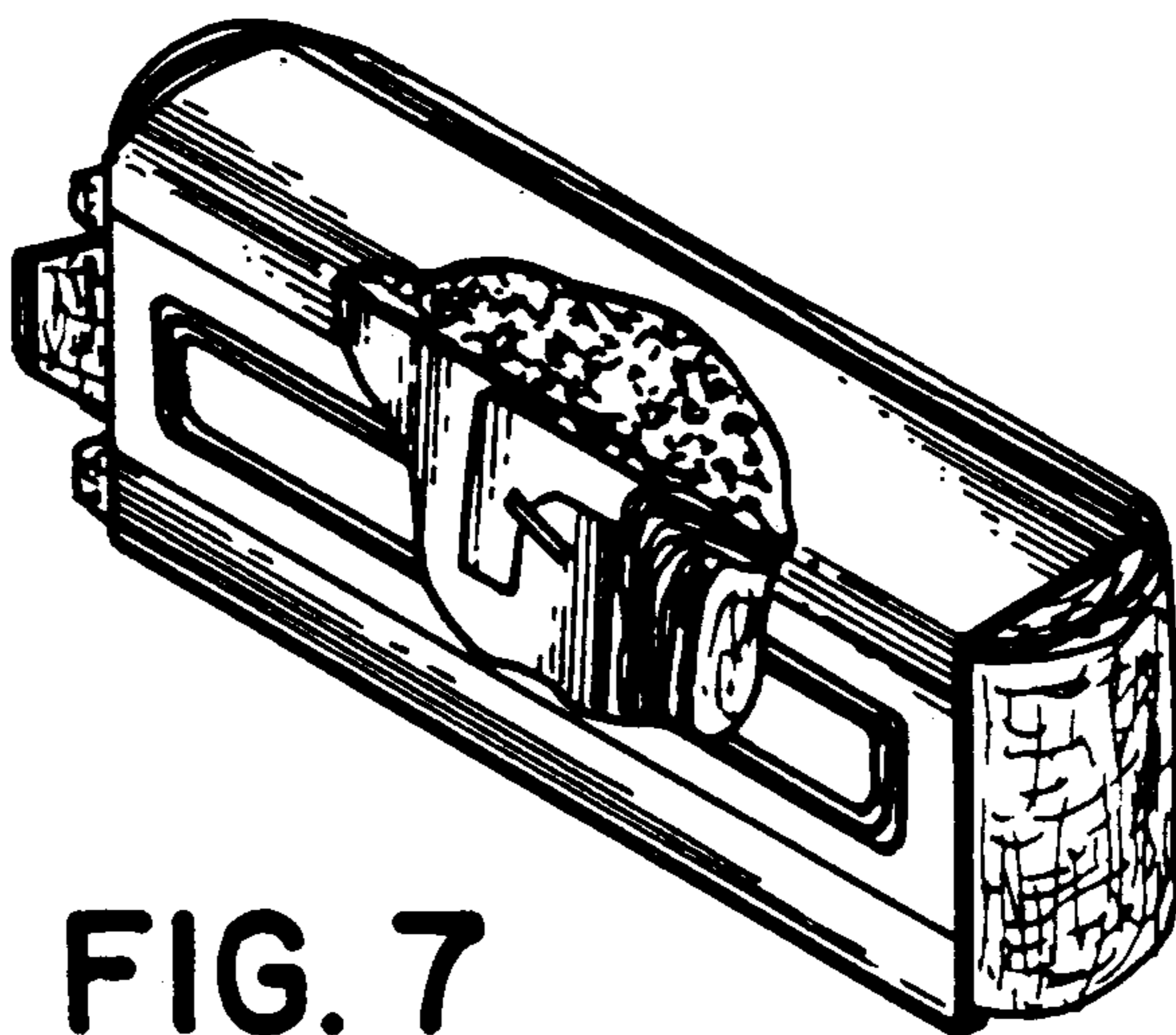


FIG. 7