

# United States Patent [19]

Ido et al.

[11] Patent Number: **Des. 320,225**

[45] Date of Patent: **\*\* Sep. 24, 1991**

[54] **MEMORY CARD FOR ELECTRONIC CALCULATOR**

[75] Inventors: **Yukinori Ido; Masanori Haneda**, both of Tokyo, Japan

[73] Assignee: **Casio Computer Co., Ltd.**, Tokyo, Japan

[\*\*] Term: **14 Years**

[21] Appl. No.: **436,918**

[22] Filed: **Nov. 15, 1989**

[30] **Foreign Application Priority Data**

Aug. 11, 1989 [JP] Japan ..... 1-29654

[52] U.S. Cl. .... **D18/12; D14/114**

[58] Field of Search ..... **D18/12; D14/114; 360/131, 133, 135; 364/706-710**

[56] **References Cited**

**U.S. PATENT DOCUMENTS**

D. 287,253 12/1986 Satake ..... D18/12  
D. 291,698 9/1987 Hirooka et al. .... D18/12 X

D. 298,326 11/1988 Kimura ..... D14/114  
D. 298,327 11/1988 Kimura ..... D14/114  
D. 304,448 11/1989 De La Cruz et al. .... D14/114  
D. 311,391 10/1990 Ueshin et al. .... D14/114  
4,455,642 6/1984 Inaba ..... 360/133 X

*Primary Examiner*—Nelson C. Holtje  
*Assistant Examiner*—Caron D. Veynar  
*Attorney, Agent, or Firm*—Frishauf, Holtz, Goodman & Woodward

[57] **CLAIM**

The ornamental design for a memory card for electronic calculator, as shown and described.

**DESCRIPTION**

FIG. 1 is a top plan view of a memory card for electronic calculator showing our new design; FIG. 2 is a left side elevational view thereof; FIG. 3 is a right side elevational view thereof; FIG. 4 is a rear elevational view thereof; FIG. 5 is a front elevational view thereof; FIG. 6 is a bottom plan view thereof; and FIG. 7 is a right, front and top perspective view thereof.

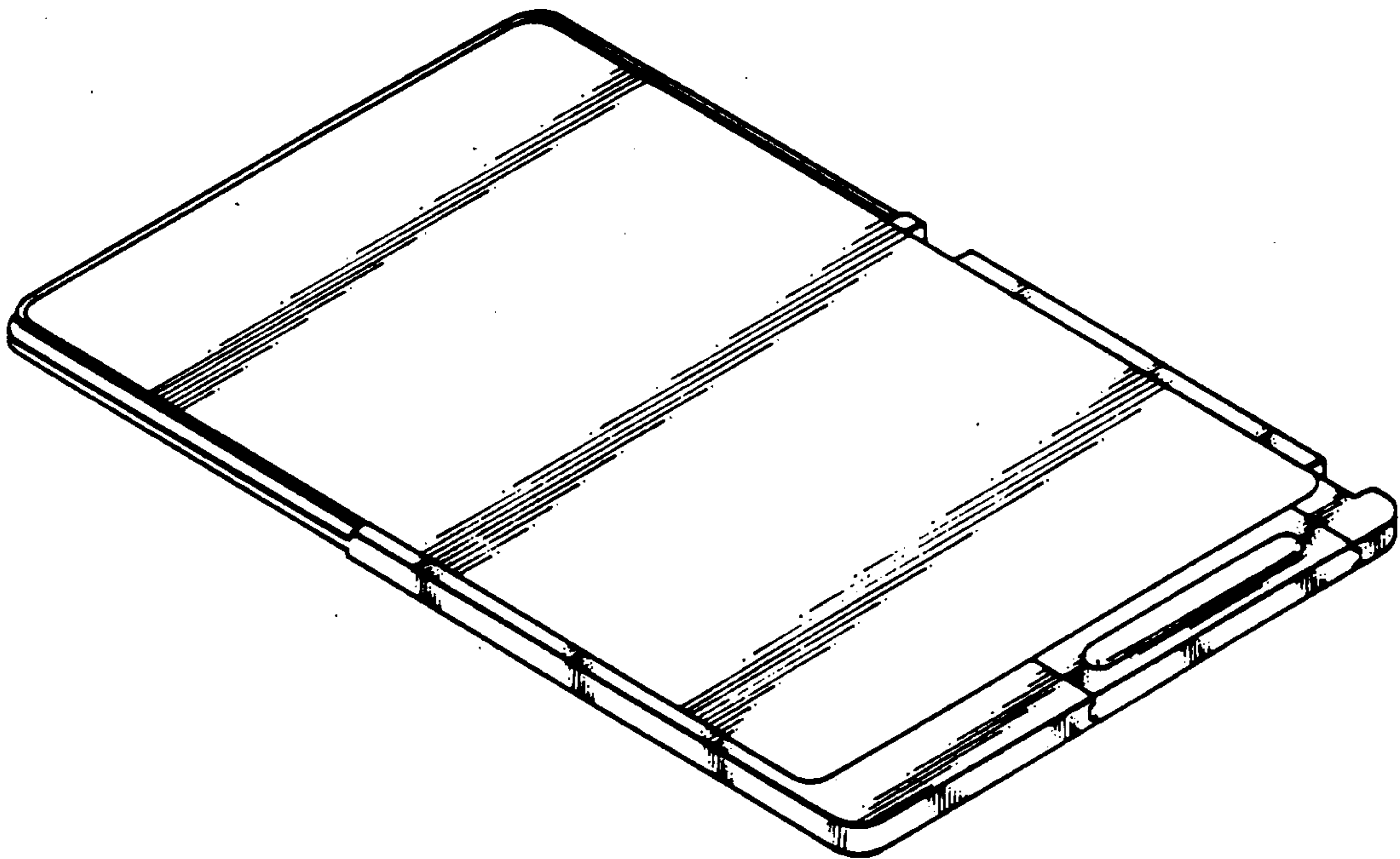


FIG. 4



FIG. 2



FIG. 1

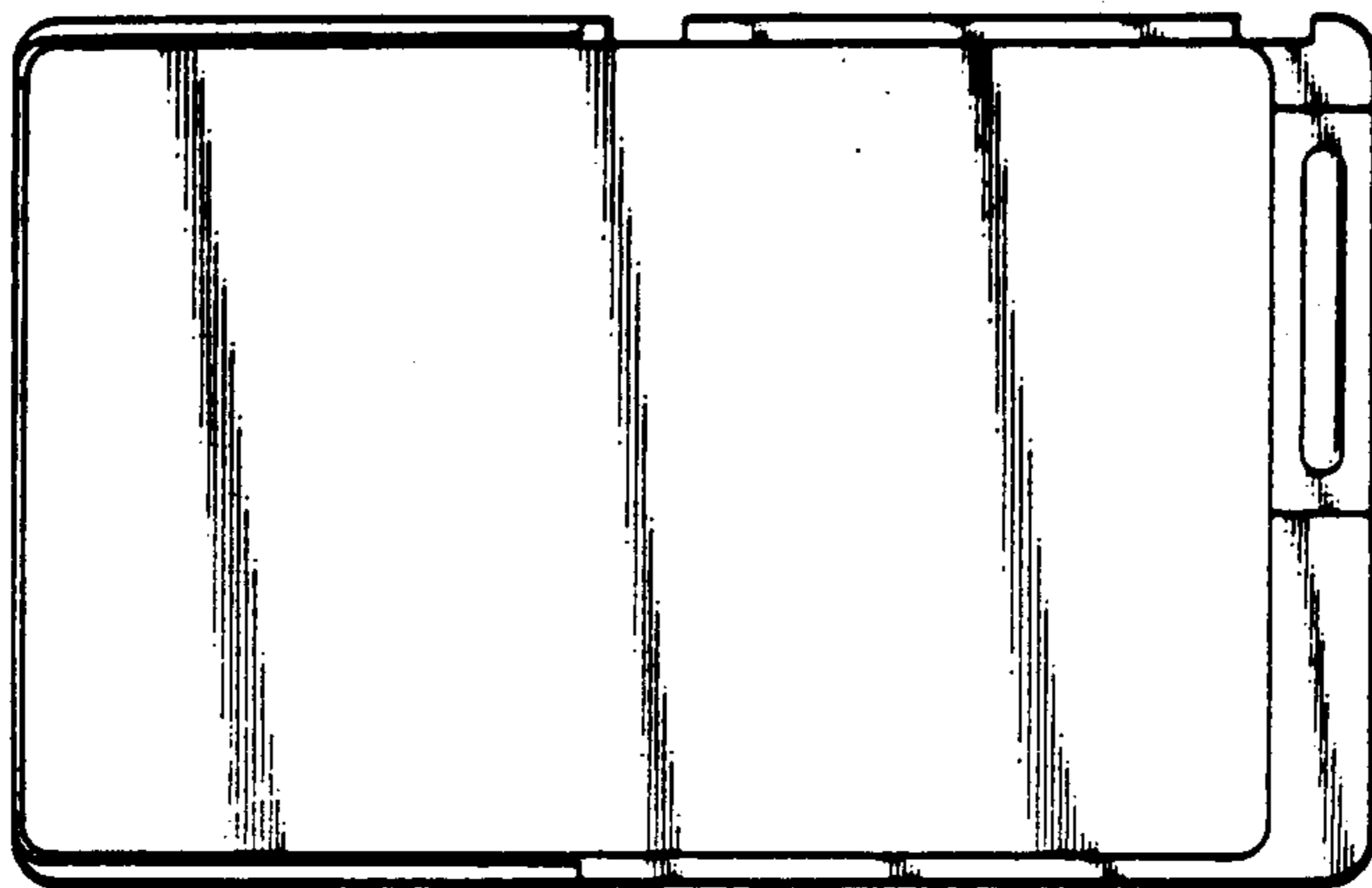


FIG. 3



FIG. 5



FIG. 6

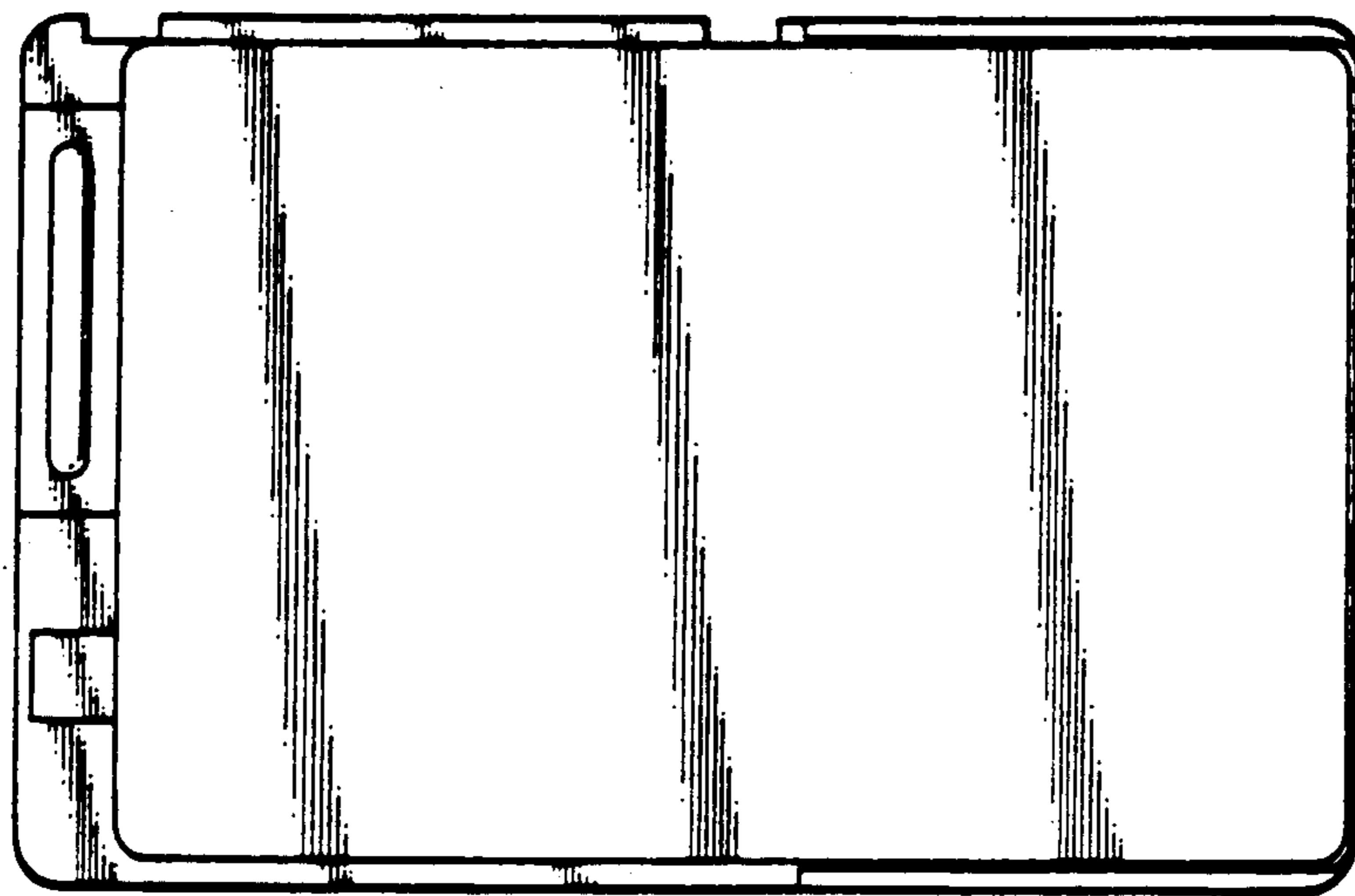


FIG. 7

