

[54] INK RIBBON CASSETTE FOR ELECTRONIC TYPEWRITER

[75] Inventors: Fumiya Matsuoka, Kawasaki; Toshiyuki Ohnishi, Yokohama, both of Japan

[73] Assignee: Canon Kabushiki Kaisha, Tokyo, Japan

[**] Term: 14 Years

[21] Appl. No.: 165,573

[22] Filed: Mar. 8, 1988

[30] Foreign Application Priority Data

Sep. 9, 1987 [JP] Japan 62-37056

[52] U.S. Cl. D18/12

[58] Field of Search D18/12, 22, 99; D14/121; 400/191-196, 208

[56] References Cited

U.S. PATENT DOCUMENTS

- D. 280,736 9/1985 Schuiling D18/12 X
- D. 281,255 11/1985 Nibley et al. D18/12
- D. 281,330 11/1985 Kando D18/12
- D. 281,331 11/1985 Nibley et al. D18/12
- D. 281,332 11/1985 Nibley et al. D18/12

- D. 285,808 9/1986 Fuziwara et al. D18/12
- D. 290,715 7/1987 Omino et al. D18/12
- D. 302,437 7/1989 Altmann et al. D18/12
- D. 302,829 8/1989 Nezu et al. D18/12
- D. 303,795 10/1989 Brown D14/121
- D. 304,597 11/1989 Sakurai D18/12
- 4,600,325 7/1986 Okamoto et al. 400/208
- 4,611,937 9/1986 Sato et al. 400/208
- 4,793,723 12/1988 Furhata 400/208 X

Primary Examiner—Nelson C. Holtje
Assistant Examiner—Caron D. Veynar
Attorney, Agent, or Firm—Fitzpatrick, Cella, Harper & Scinto

[57] CLAIM

The ornamental design for an ink ribbon cassette for electronic typewriter, as shown and described.

DESCRIPTION

FIG. 1 is a front elevational view of an ink ribbon cassette for electronic typewriter showing our new design; FIG. 2 is a rear elevational view thereof; FIG. 3 is a top plan view thereof; FIG. 4 is a bottom plan view thereof; FIG. 5 is a left side elevational view thereof; FIG. 6 is a right side elevational view thereof; and FIG. 7 is a right, front and top perspective view thereof.

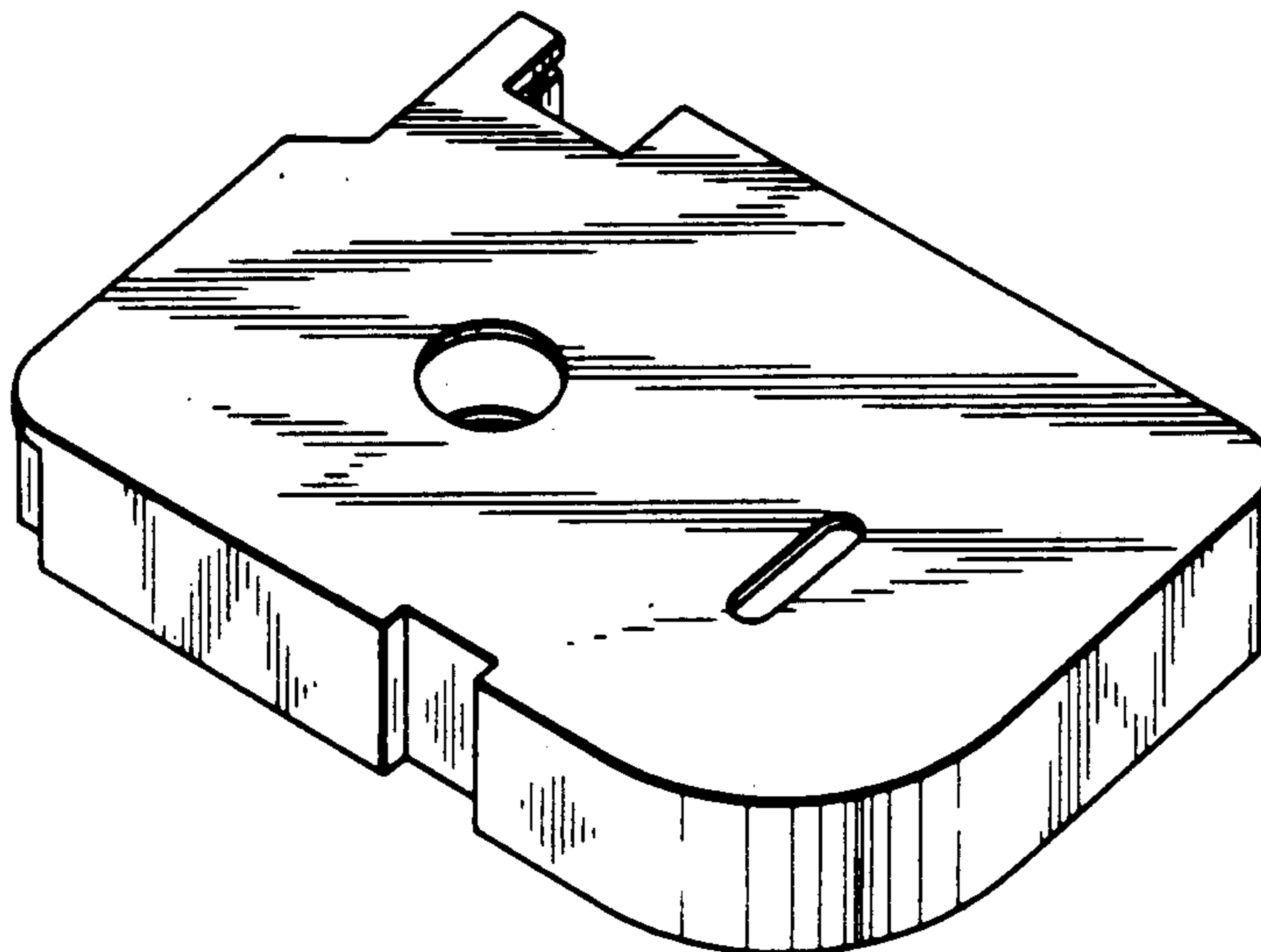


FIG. 1



FIG. 2



FIG. 3

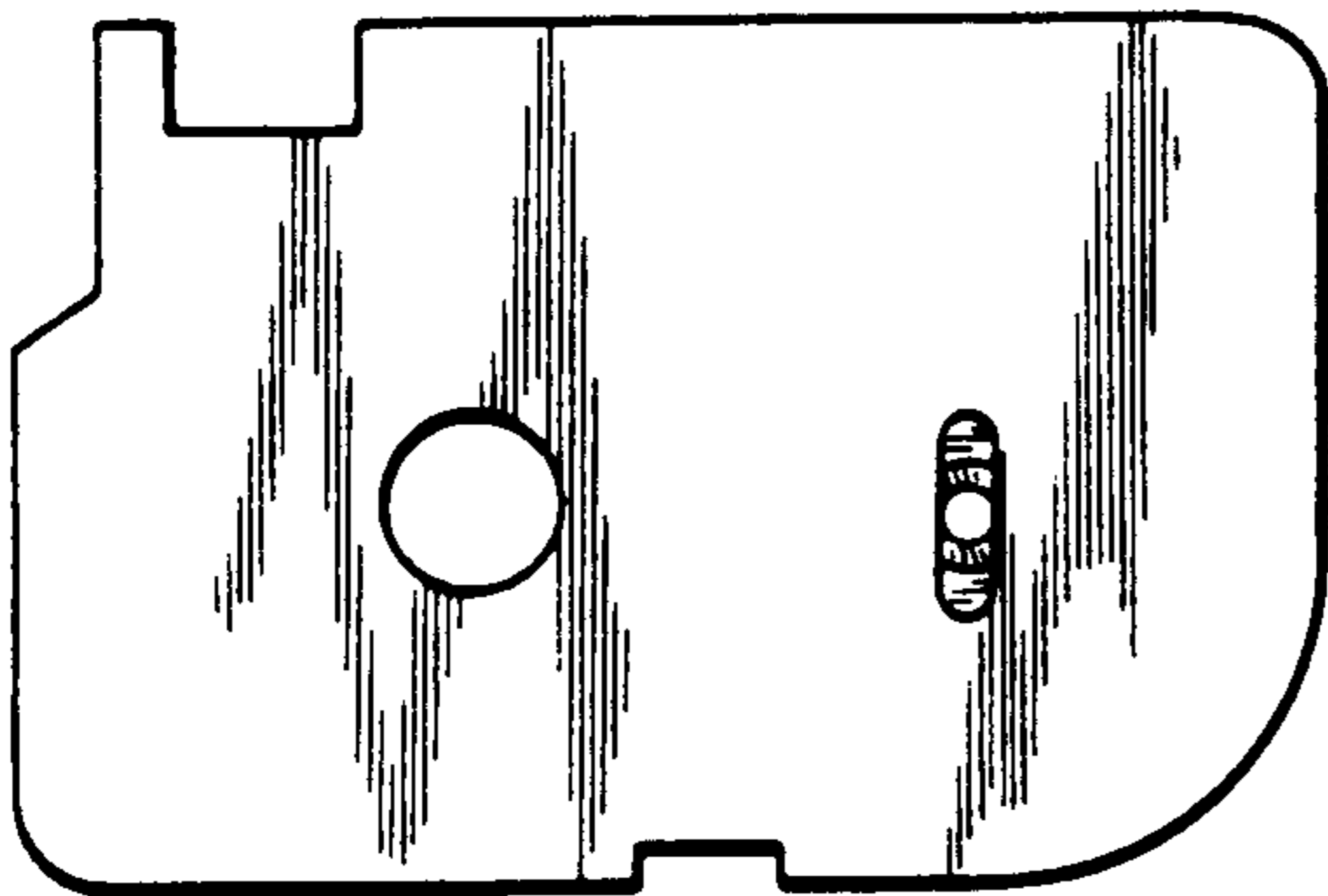


FIG. 4

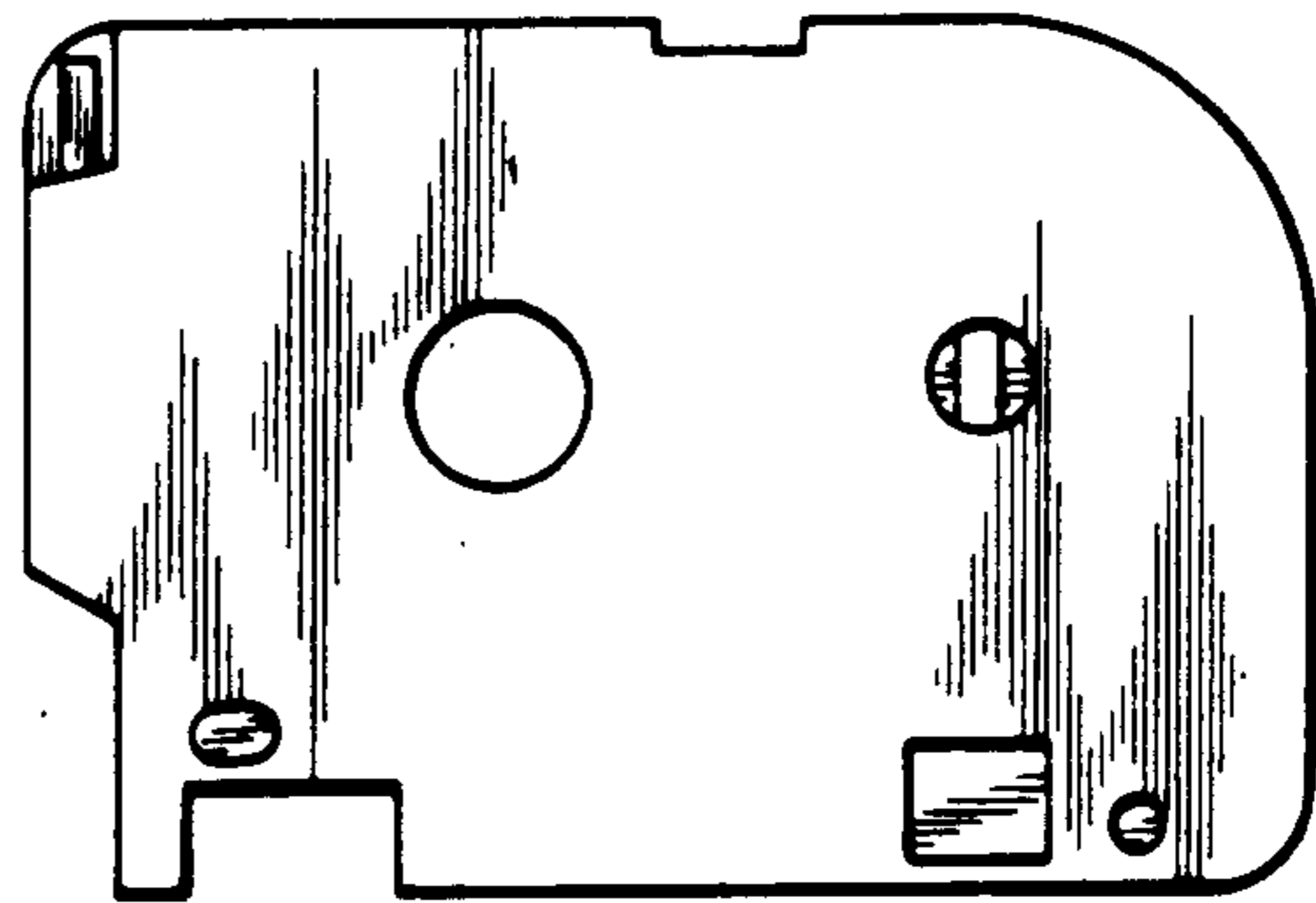


FIG. 5



FIG. 6

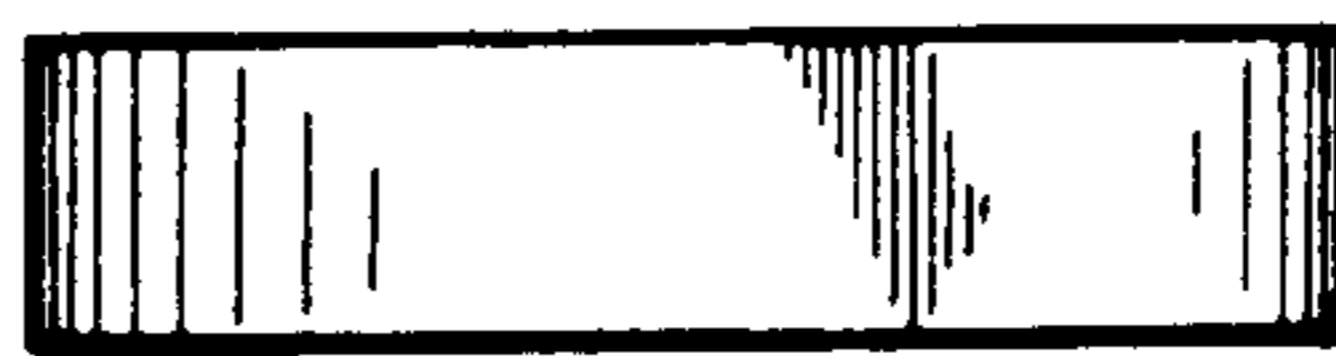
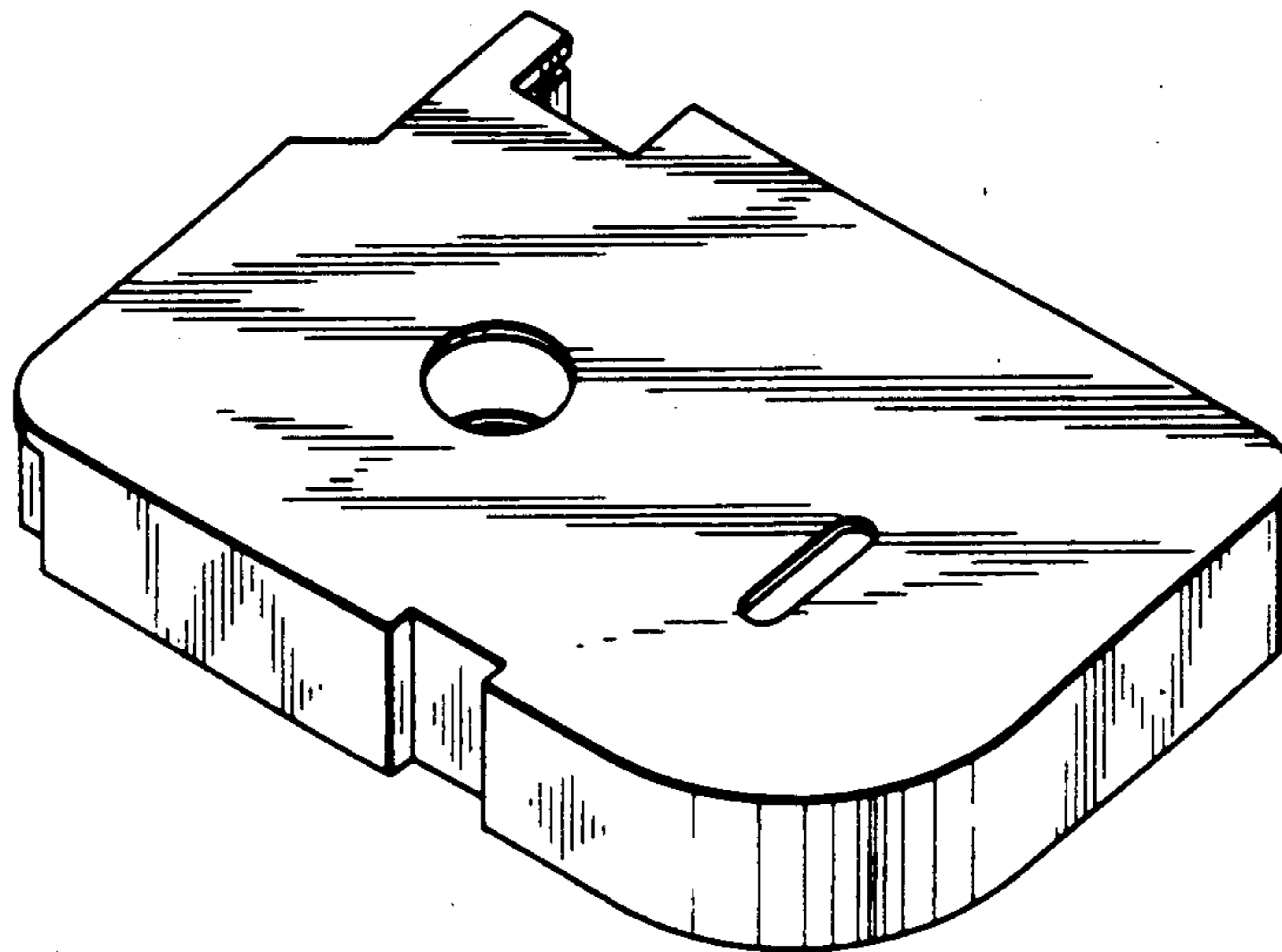


FIG. 7



UNITED STATES PATENT AND TRADEMARK OFFICE
CERTIFICATE OF CORRECTION

PATENT NO. : Des. 320,224
DATED : September 24, 1991
INVENTOR(S) : FUMIYA MATSUOKA ET AL.

It is certified that error appears in the above-identified patent and that said Letters Patent is hereby corrected as shown below:

On Title Page Insert

--[*] Notice: The portion of the term of this patent subsequent to Aug. 6, 2005 has been disclaimed.--.

**Signed and Sealed this
Twelfth Day of January, 1993**

Attest:

DOUGLAS B. COMER

Attesting Officer

Acting Commissioner of Patents and Trademarks