

[54] TELEPHONE

[75] Inventors: Michael Graves; Alexander T. F. Lee, both of Princeton, N.J.

[73] Assignee: Michael Graves, Architect, P.A., Princeton, N.J.

[**] Term: 14 Years

[21] Appl. No.: 560,972

[22] Filed: Jul. 27, 1990

[52] U.S. Cl. D14/150; D14/248; D14/149; D14/142

[58] Field of Search D14/149, 150, 248, 151; D21/111; 379/440, 436, 440, 433

[56] References Cited

U.S. PATENT DOCUMENTS

D. 287,245	12/1986	Todeschini	D14/150
D. 287,587	1/1987	Perkins	D14/150
D. 289,639	5/1987	Anno et al.	D14/150
D. 292,798	11/1987	Wu	D14/150
D. 294,253	2/1988	Read	D14/150
D. 299,494	1/1989	Tsuruoka	D14/248 X
D. 299,645	1/1989	Ohta et al.	D14/149

D. 300,628	4/1989	Wu	D14/151
D. 303,668	9/1989	Kwan	D14/149
D. 307,586	5/1990	Shun	D14/150
D. 307,903	5/1990	Dovey	D14/149

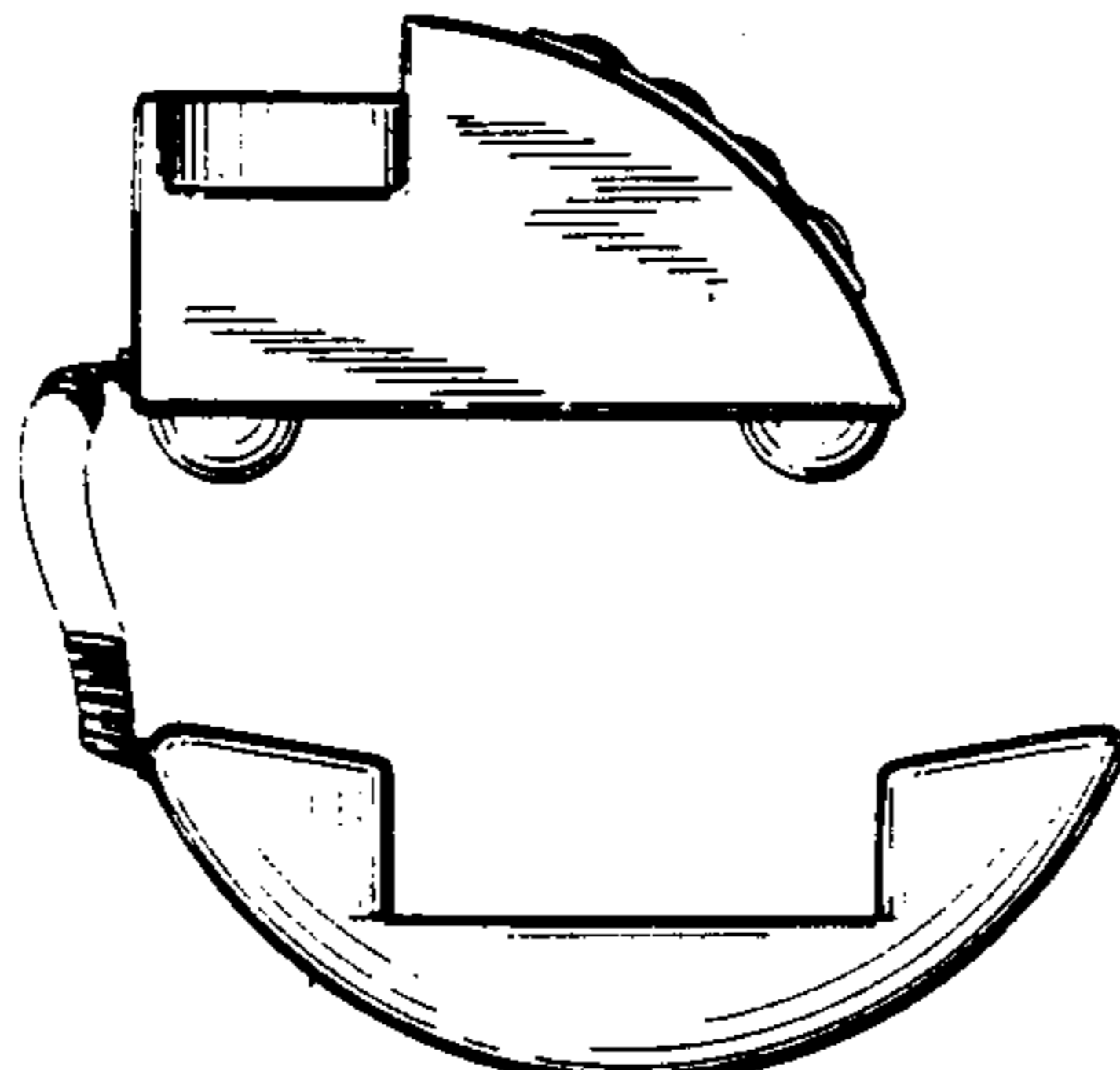
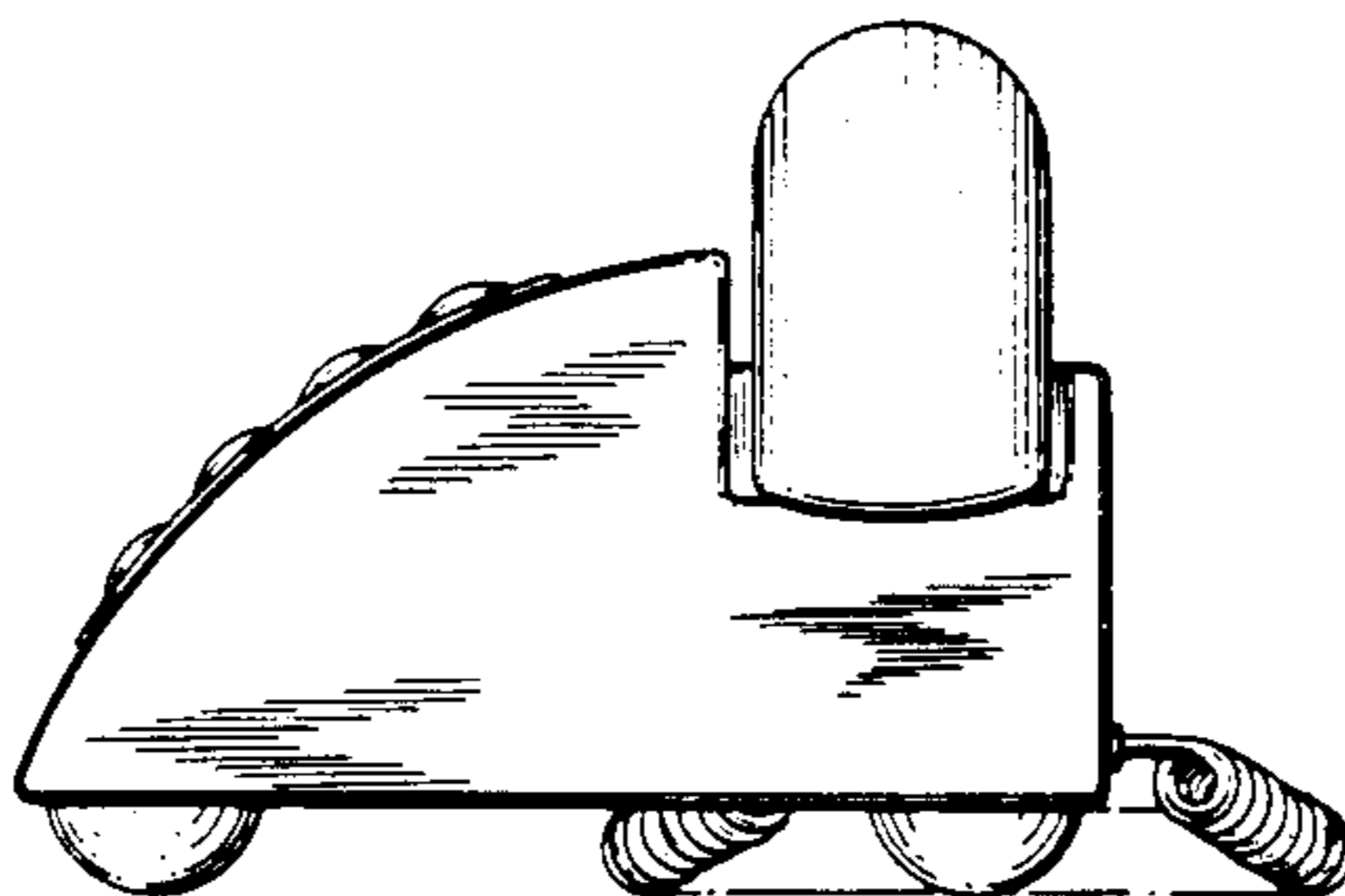
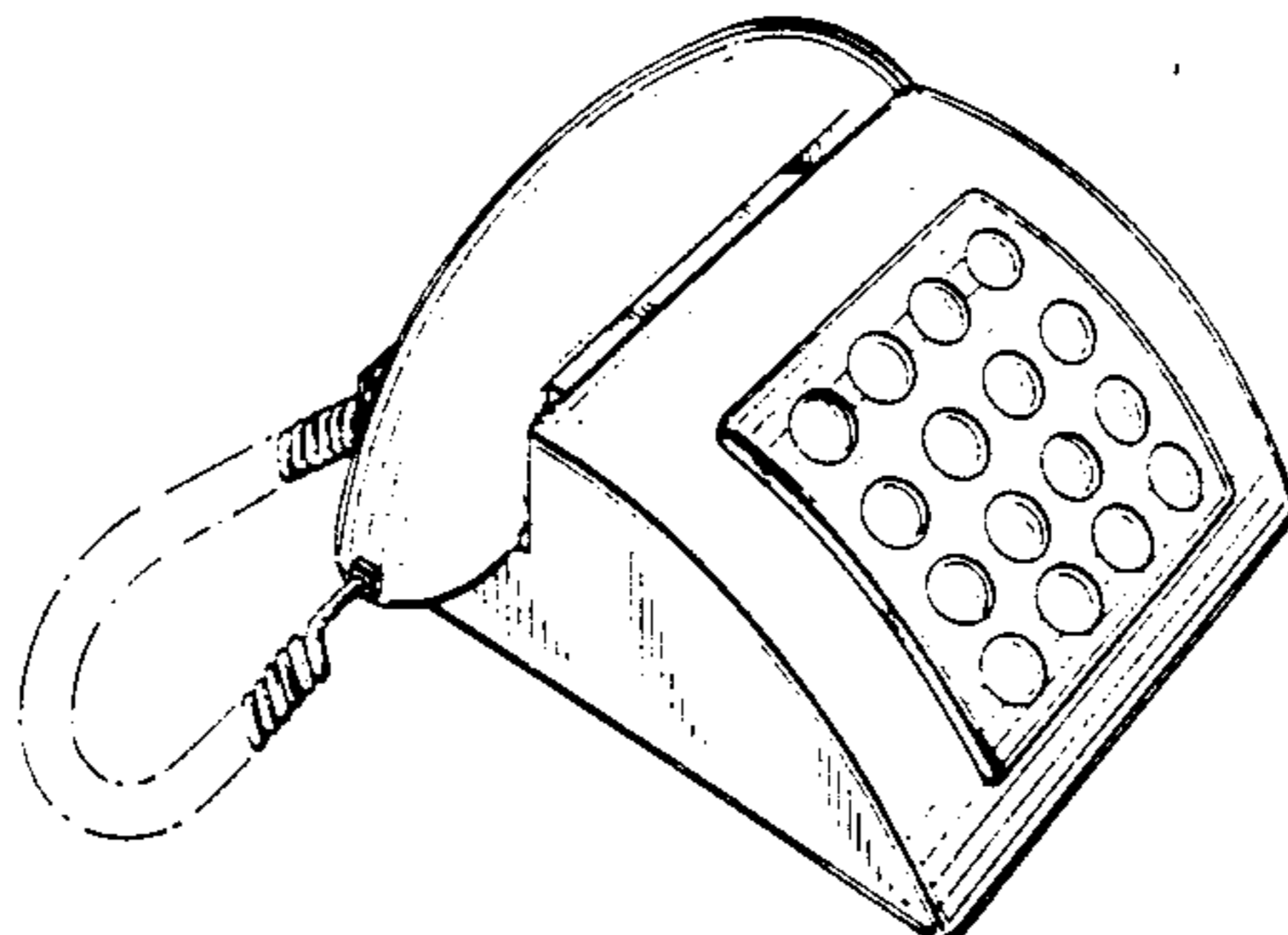
Primary Examiner—Horace B. Fay, Jr.
Attorney, Agent, or Firm—Robert R. Jackson

[57] CLAIM

The ornamental design for a telephone, as shown in the accompanying drawings.

DESCRIPTION

FIG. 1 is a perspective view of a telephone showing our new design;
 FIG. 2 is a top view thereof;
 FIG. 3 is a right side elevation thereof;
 FIG. 4 is a front elevation thereof;
 FIG. 5 is a rear elevation thereof;
 FIG. 6 is a bottom view thereof;
 FIG. 7 is a top view thereof with the handset removed from the cradle and positioned to show the underside of the handset; and
 FIG. 8 is a left side elevation thereof with the handset removed from the cradle and positioned to show one side of the handset. The opposite side of the handset is a mirror image of the side shown in FIG. 8.



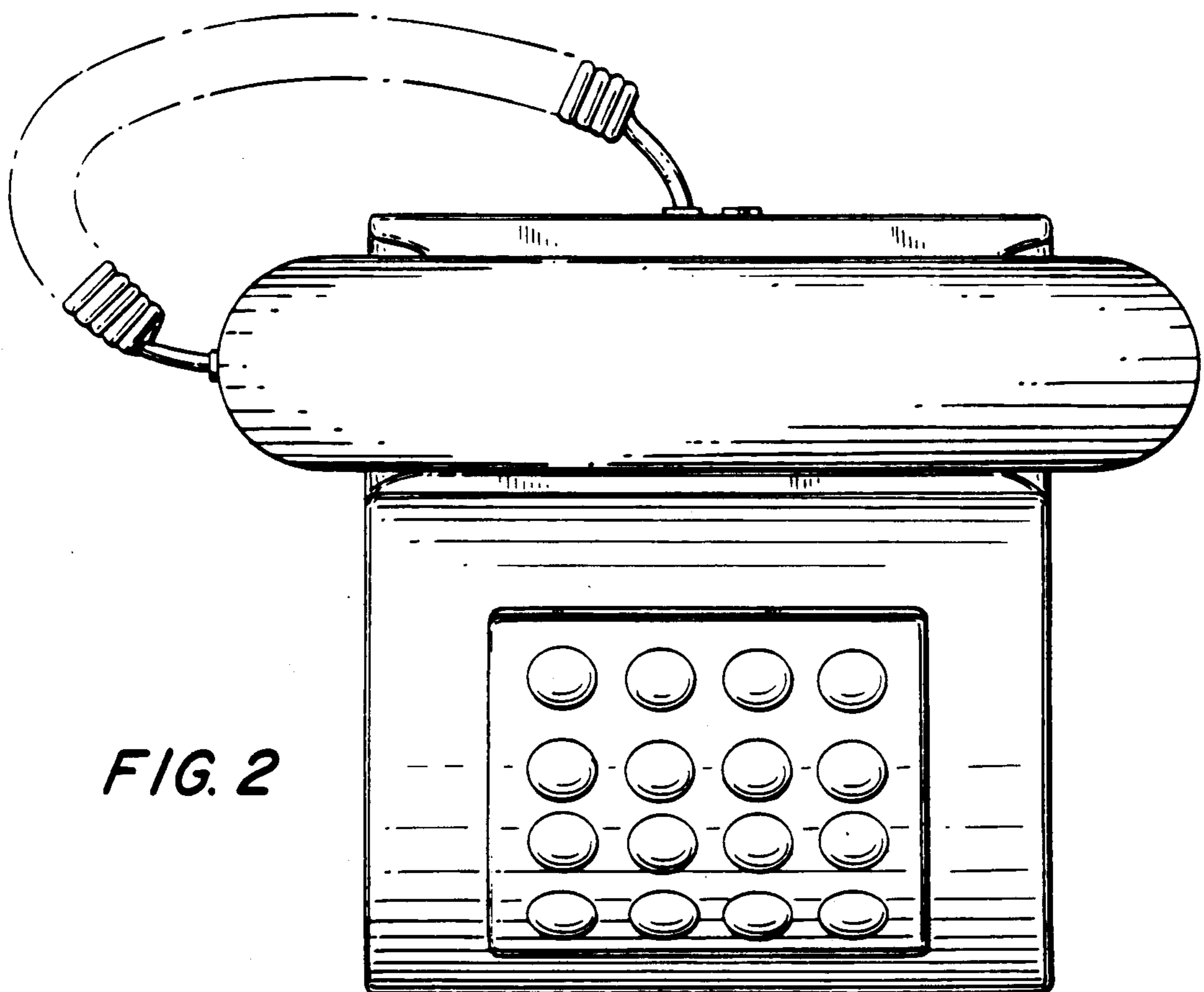
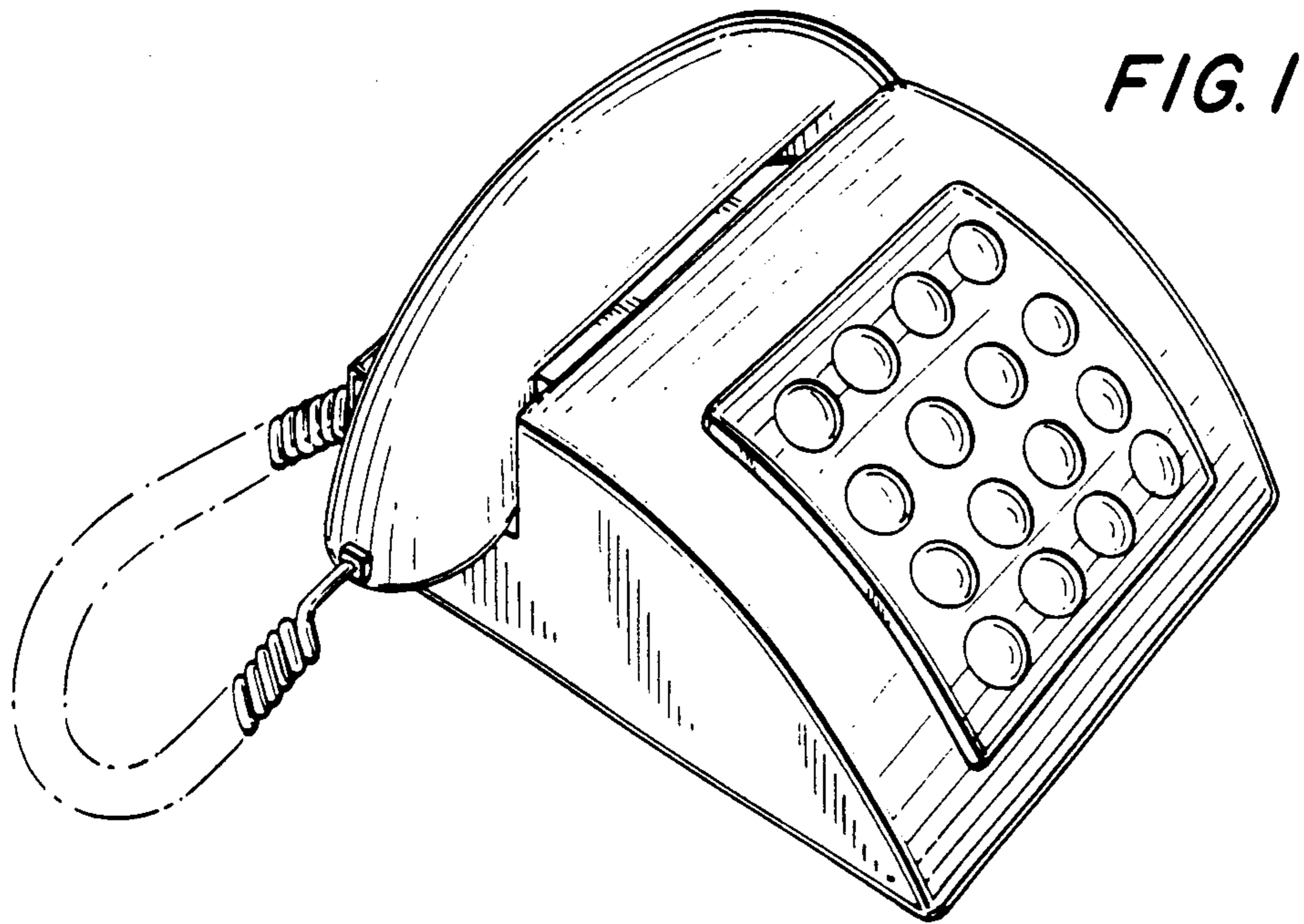


FIG. 3

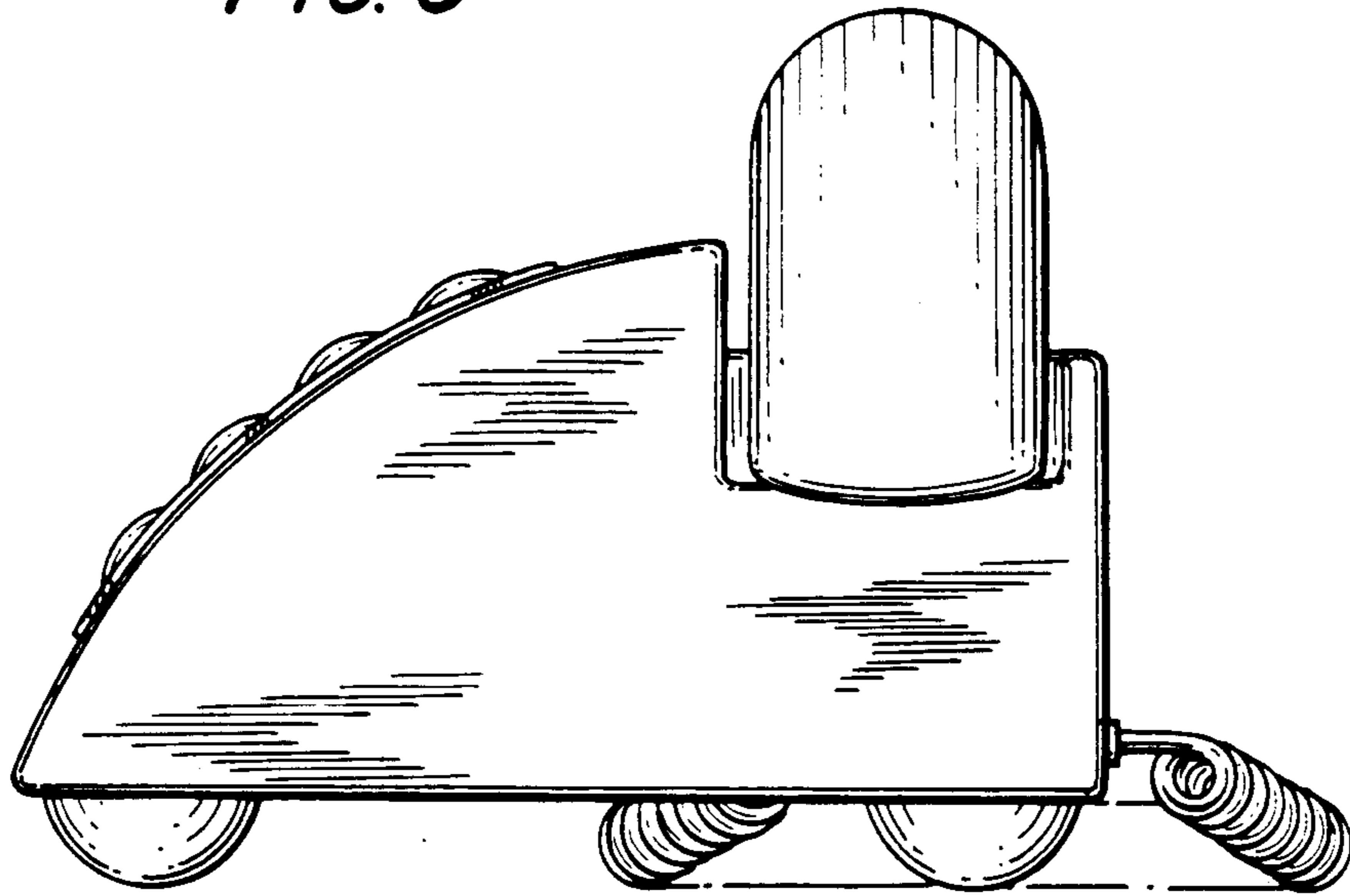


FIG. 4

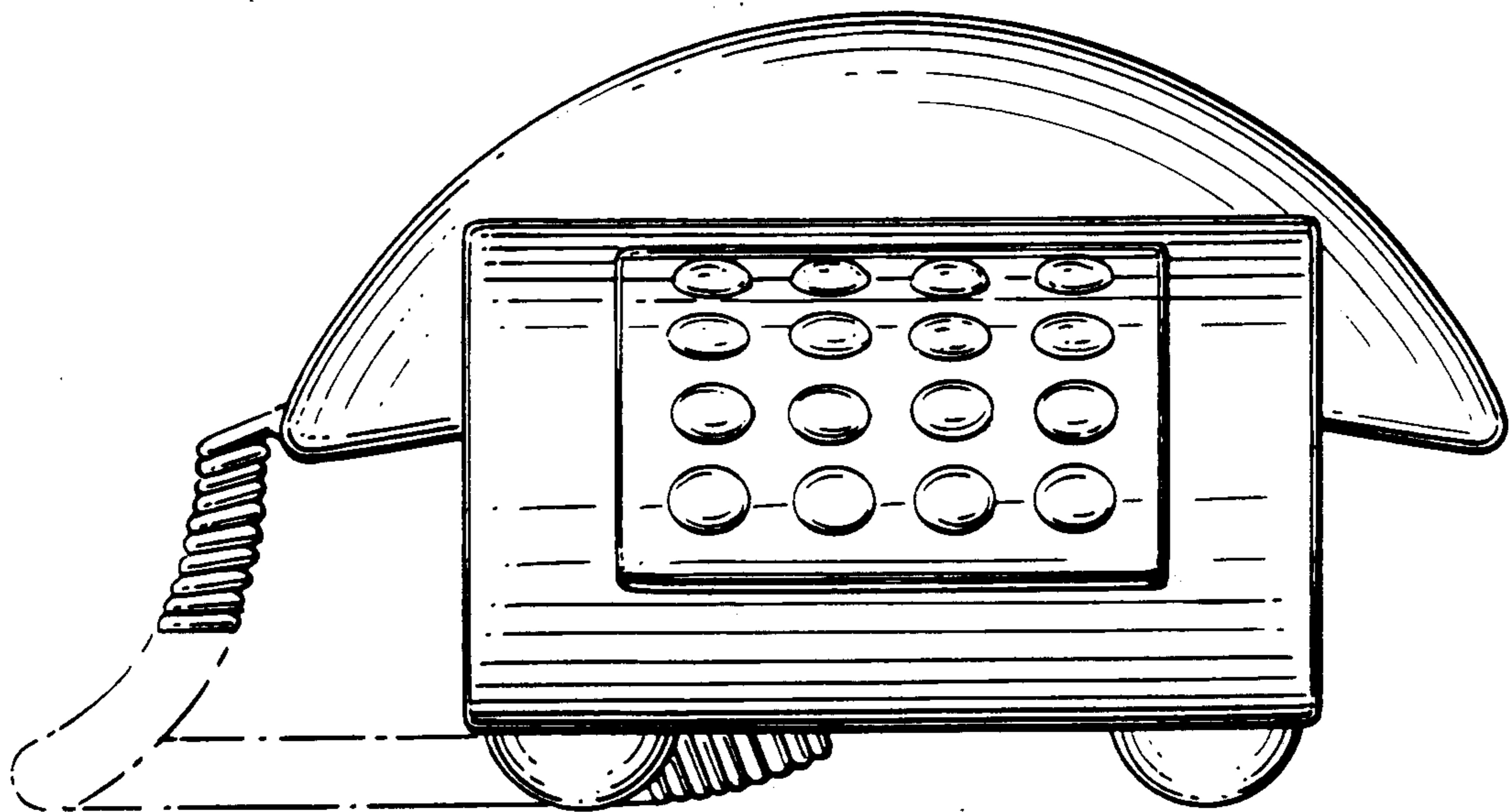


FIG. 5

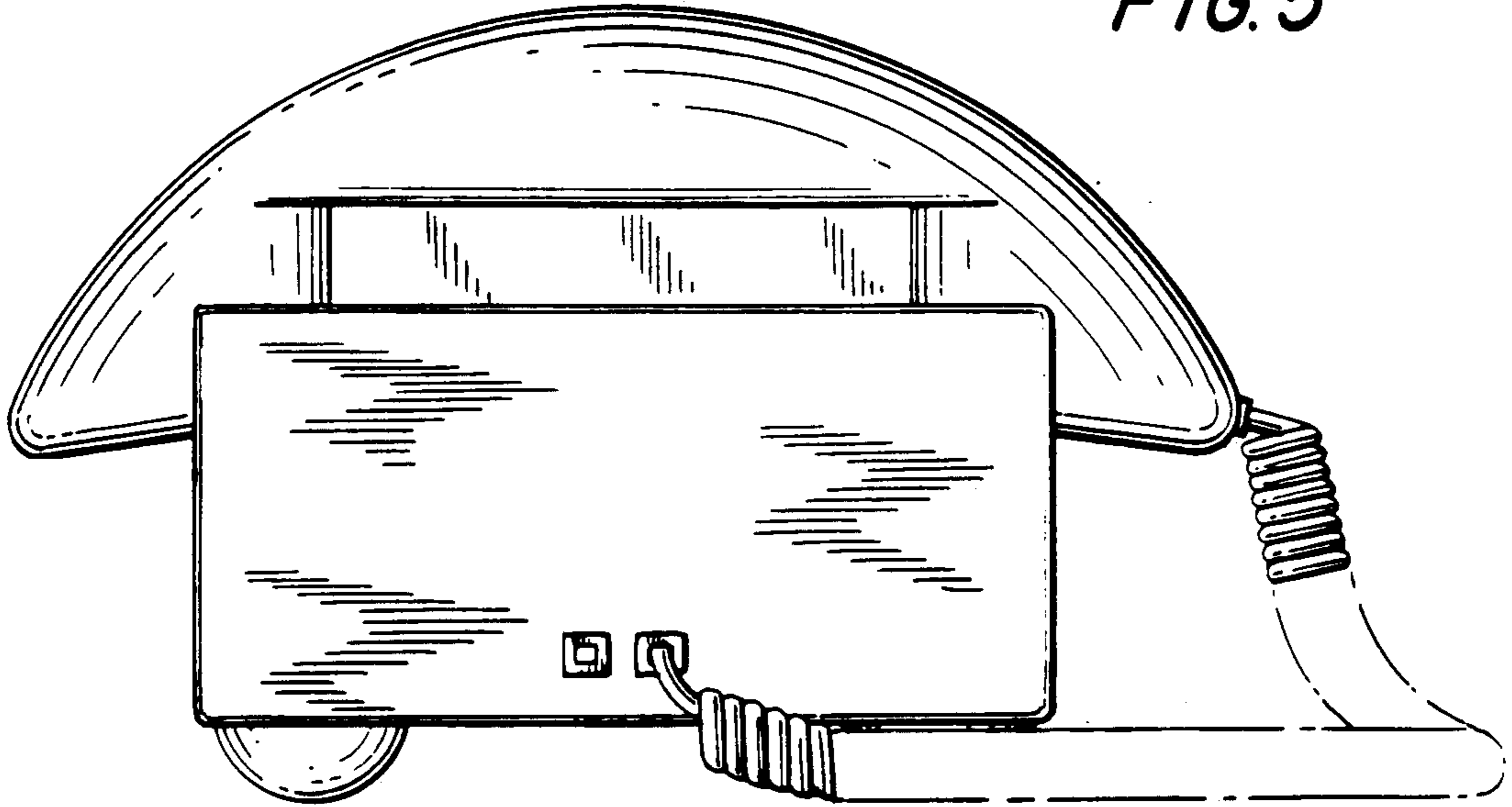
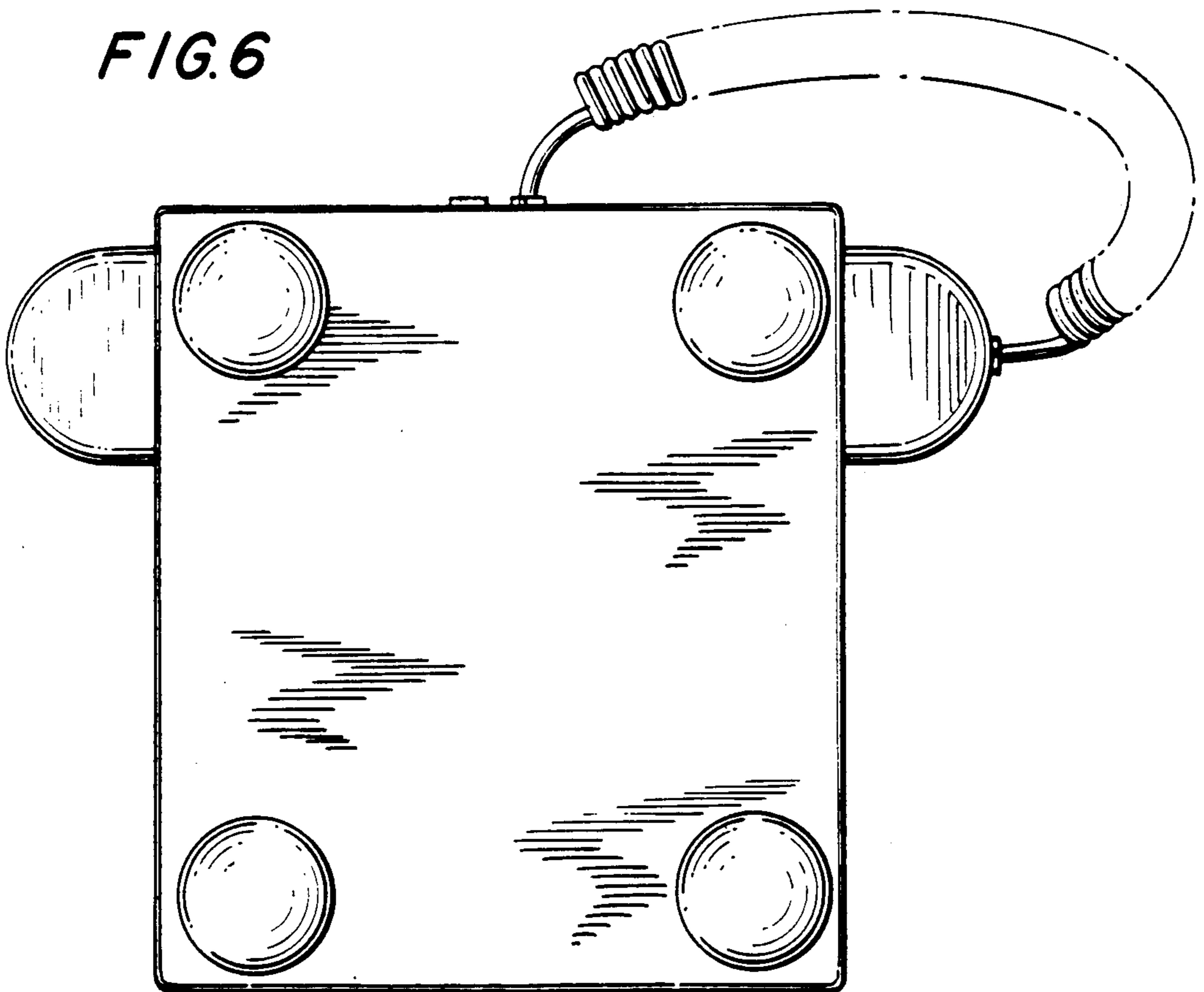


FIG. 6



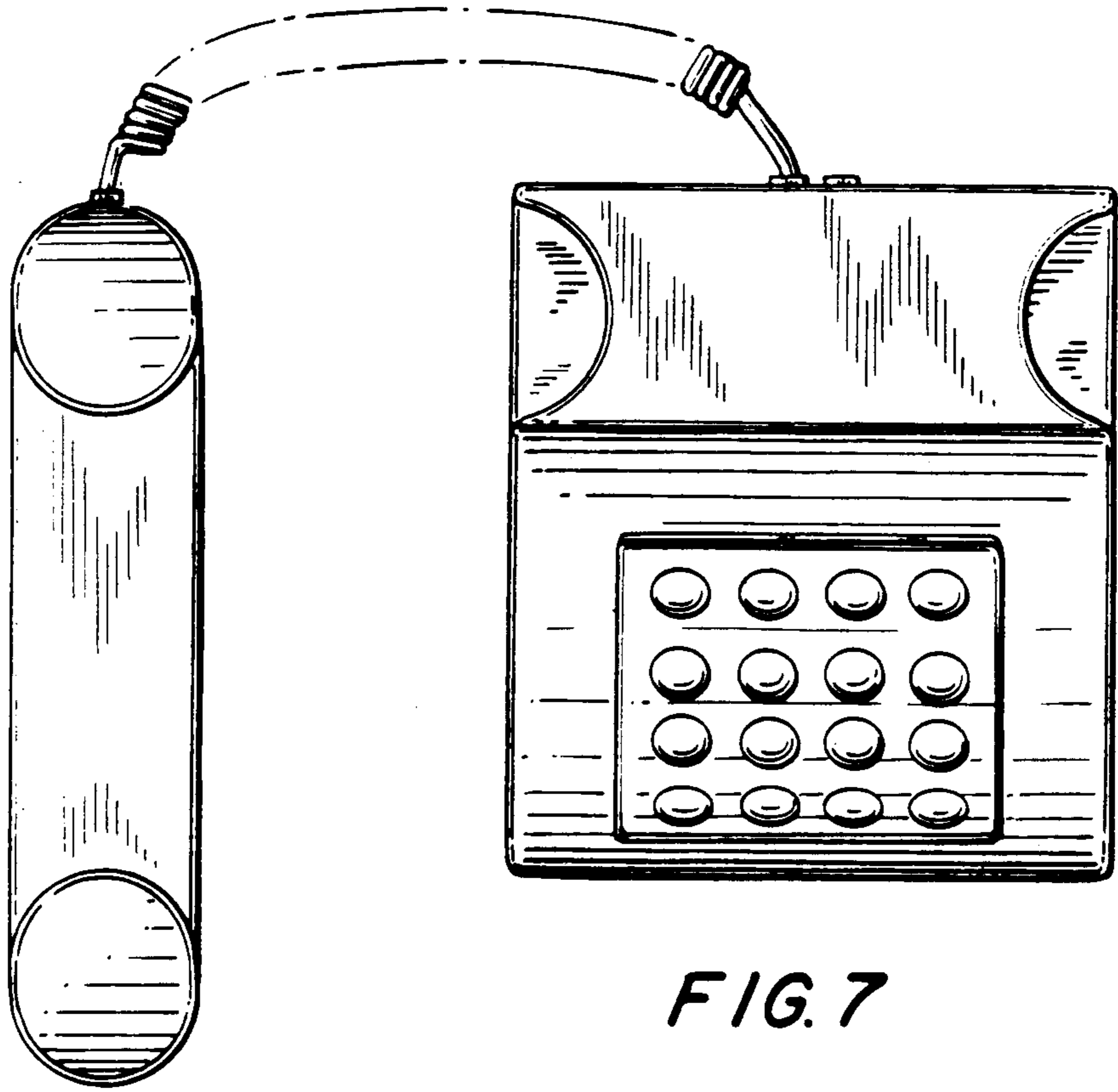


FIG. 7

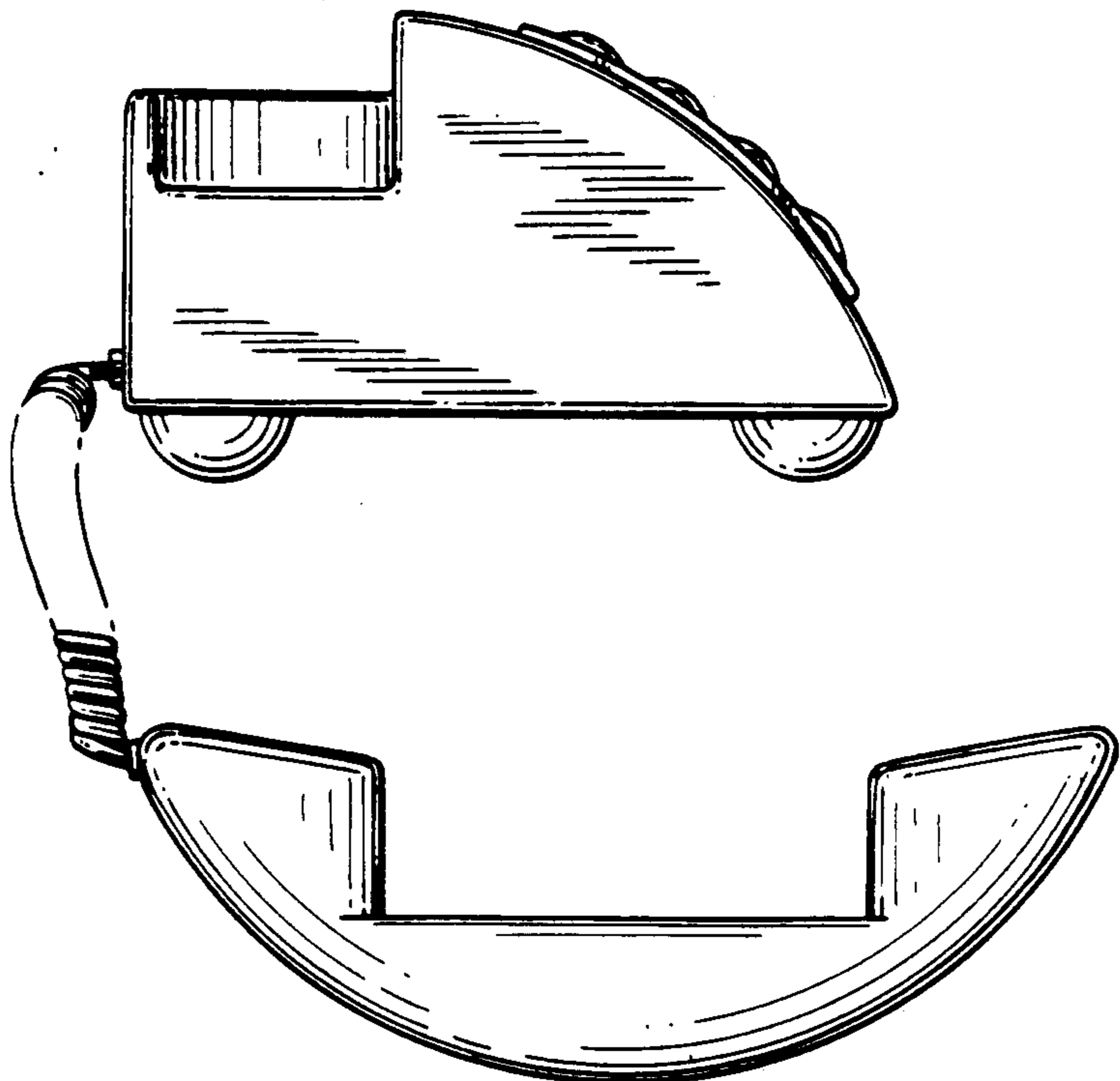


FIG. 8