

[54] TELEPHONE SET

[76] Inventor: Ping K. Ng, Flat 1506, Block N, Kornhill, 14 Hong On Street, Quarry Bay, Hong Kong

[**] Term: 14 Years

[21] Appl. No.: 484,073

[22] Filed: Feb. 23, 1990

[52] U.S. Cl. D14/143; D14/248; D14/149

[58] Field of Search D14/143; D21/111; D10/6; 379/434, 436, 440

[56] References Cited

U.S. PATENT DOCUMENTS

D. 106,424	10/1937	Clark	D14/189
D. 131,194	1/1942	Franklin	D14/189
D. 240,718	7/1976	Herz	D10/6 X
D. 260,016	7/1981	Thomas	D21/111
D. 260,017	7/1981	Thomas	D21/111 X
D. 260,391	8/1981	Thomas	D14/143
D. 276,337	11/1984	Brennan	D14/143
D. 291,570	8/1987	Busch	D14/143
D. 299,231	1/1989	Yeung et al.	D14/143

D. 303,260	9/1989	Gobindram	D14/143
D. 303,261	9/1989	Gobindram	D14/143

OTHER PUBLICATIONS

Popular Mechanics; Dec. 1987; LHX Helicopter.

Primary Examiner—Horace B. Fay, Jr.
Attorney, Agent, or Firm—Seed and Berry

[57] CLAIM

The ornamental design for a telephone set, as shown and described.

DESCRIPTION

FIGS. 1 and 2 are respectively front and rear elevational views of a telephone set showing my new design in cradled status;
 FIGS. 3 and 4 are respectively top and bottom plan views thereof;
 FIGS. 5 and 6 are respectively left and right side elevational views thereof;
 FIG. 7 is a front, top and right side perspective view thereof; and
 FIG. 8 is a front, top and right side perspective view of the telephone base, and a perspective view of the handset spaced apart from the base of the set.

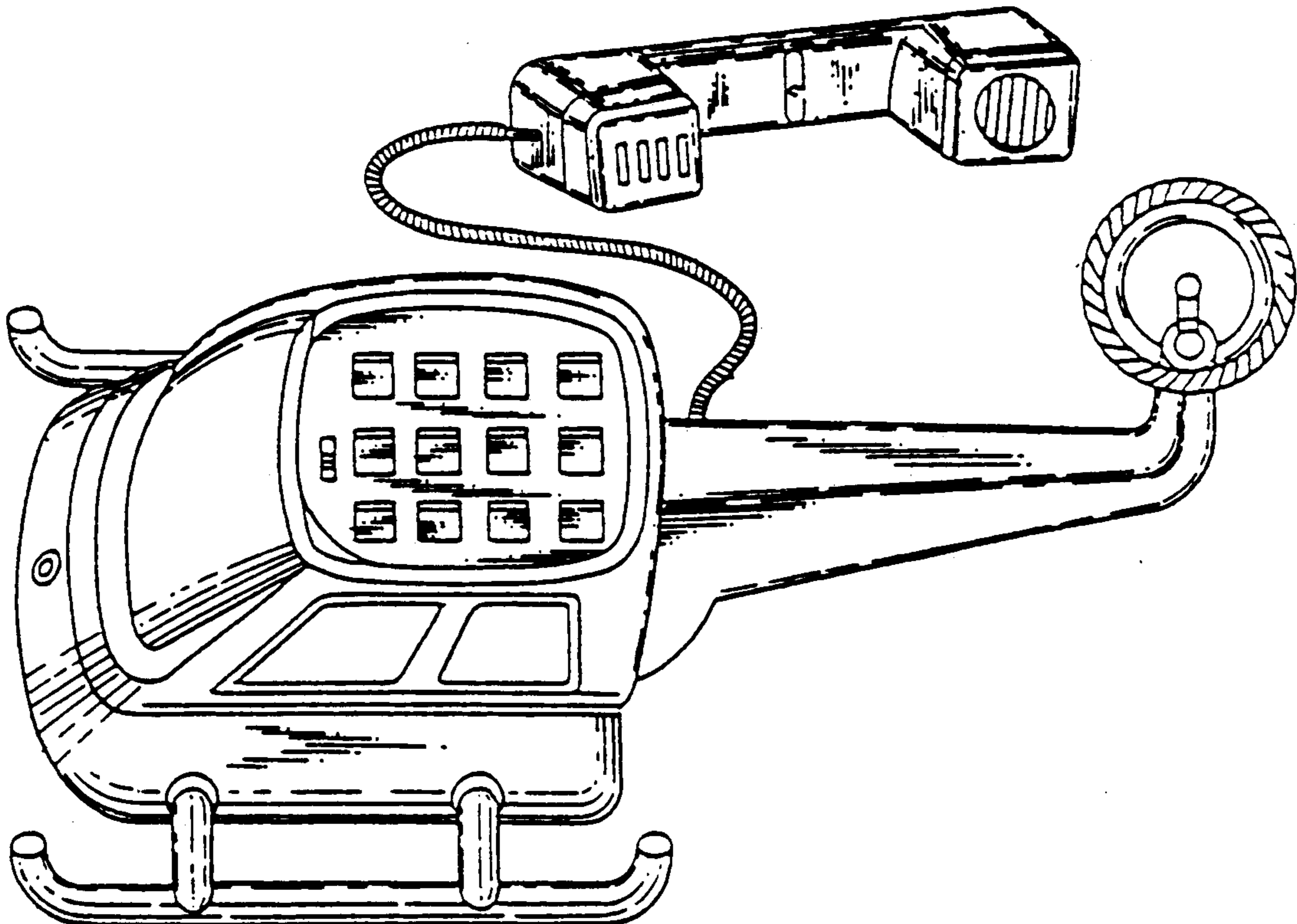


FIG.1

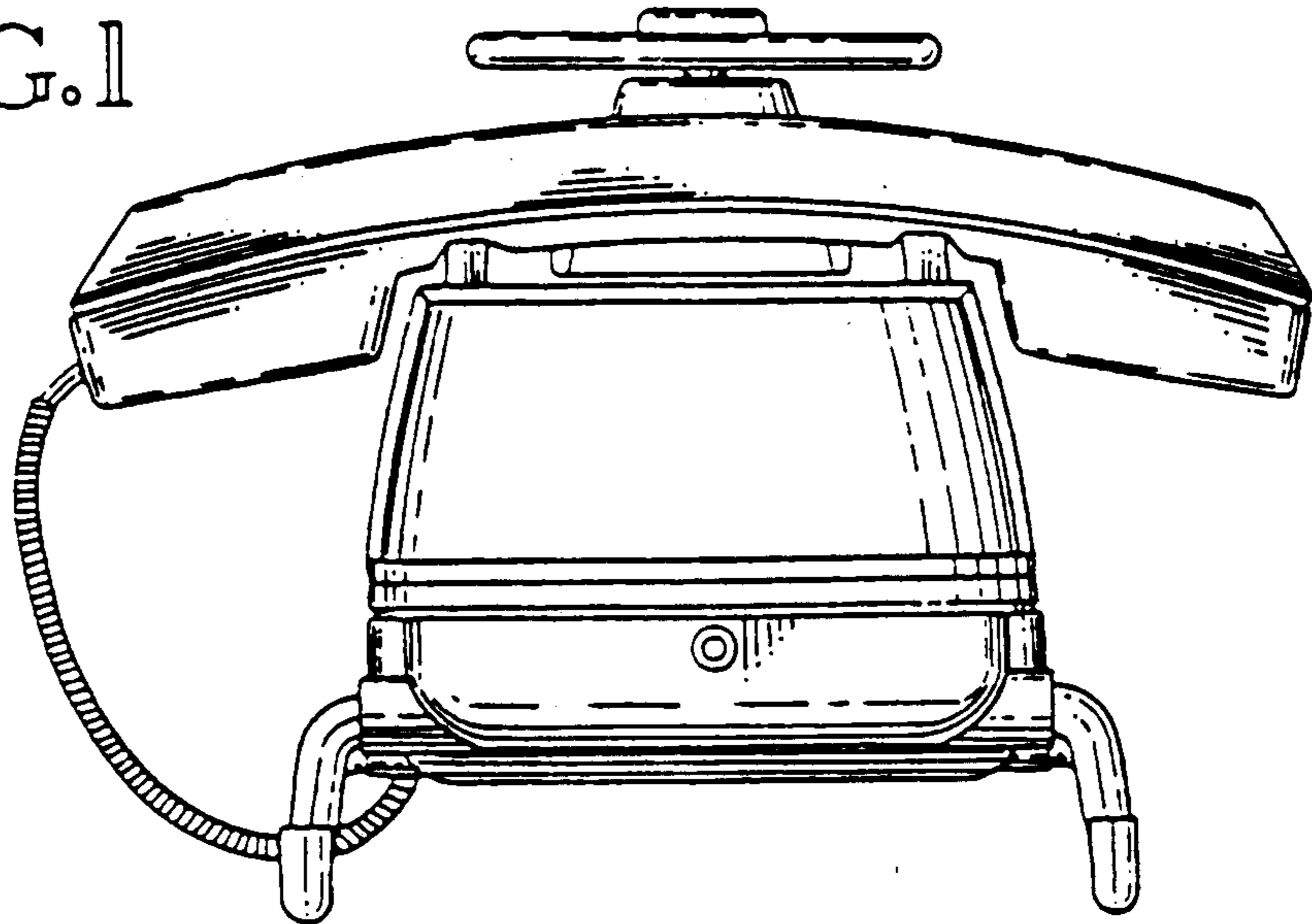
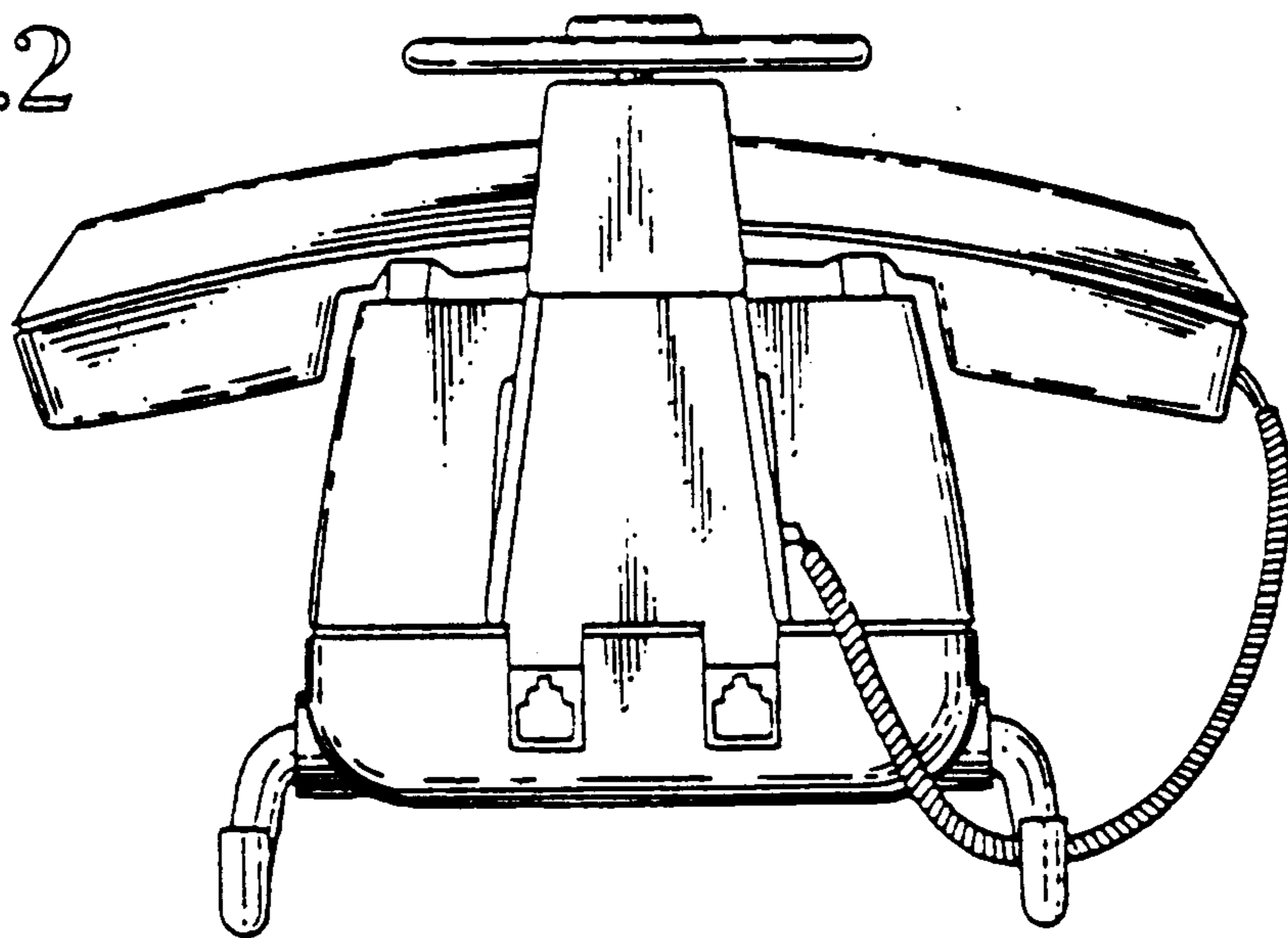


FIG.2



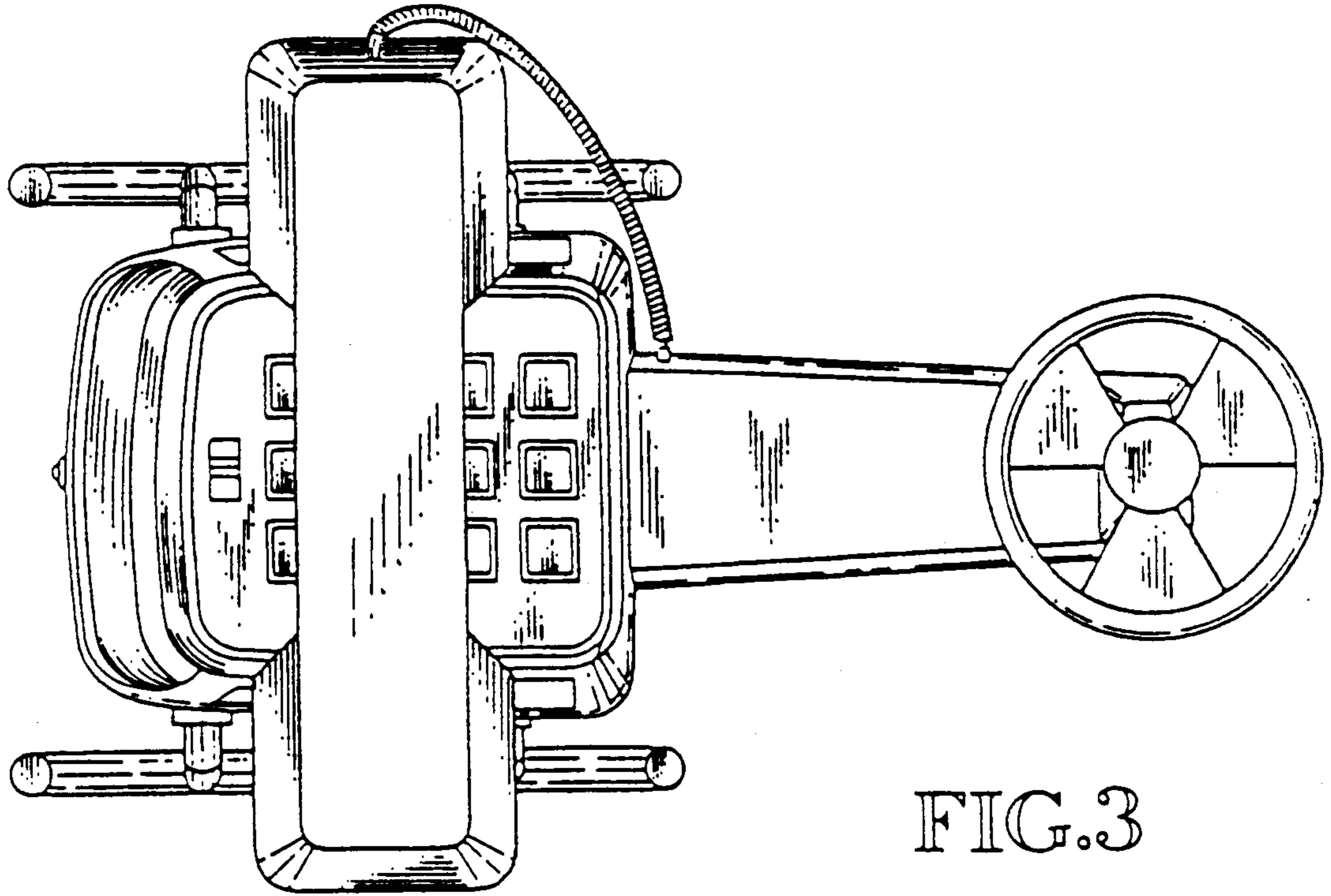


FIG. 3

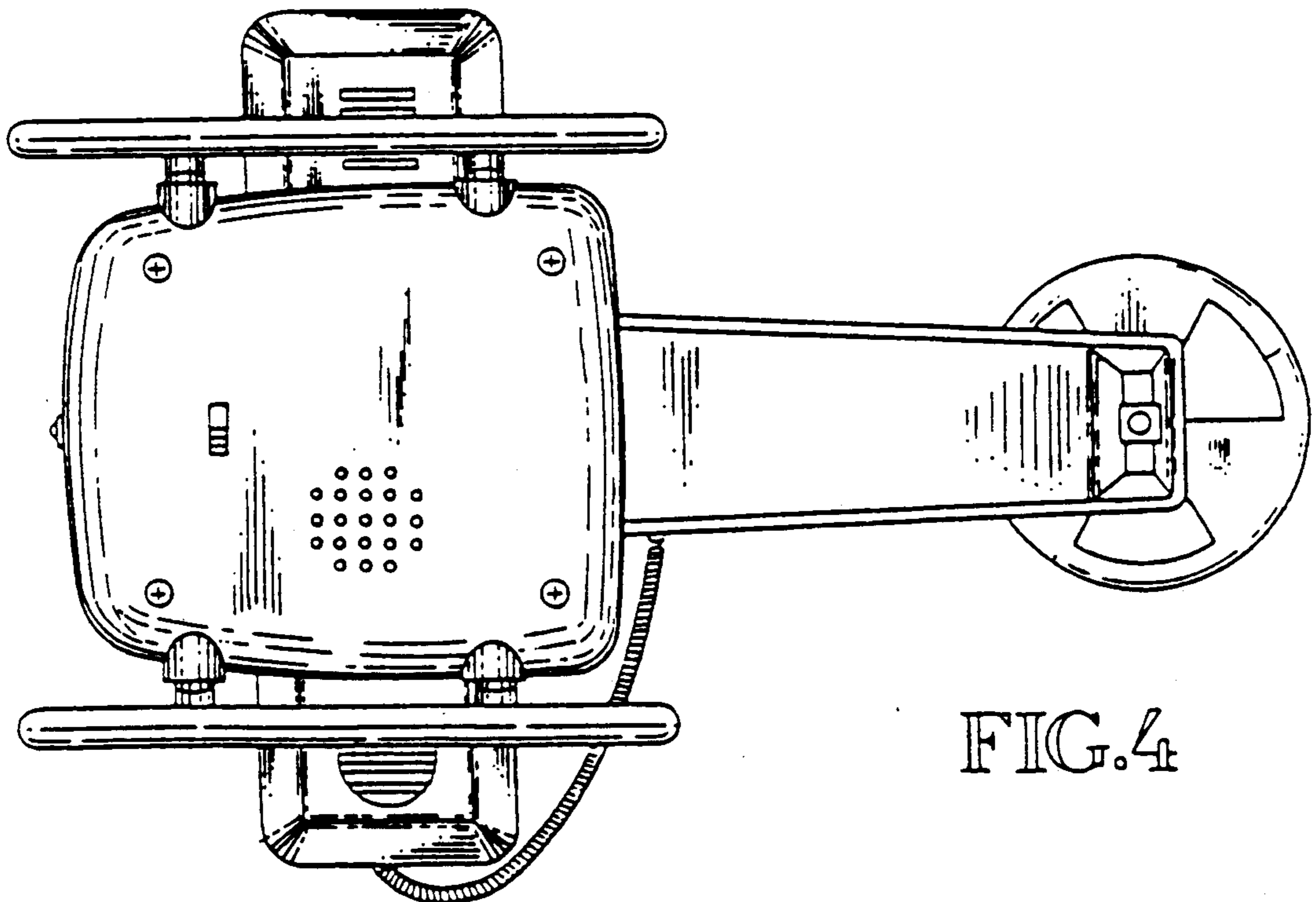


FIG. 4

FIG.5

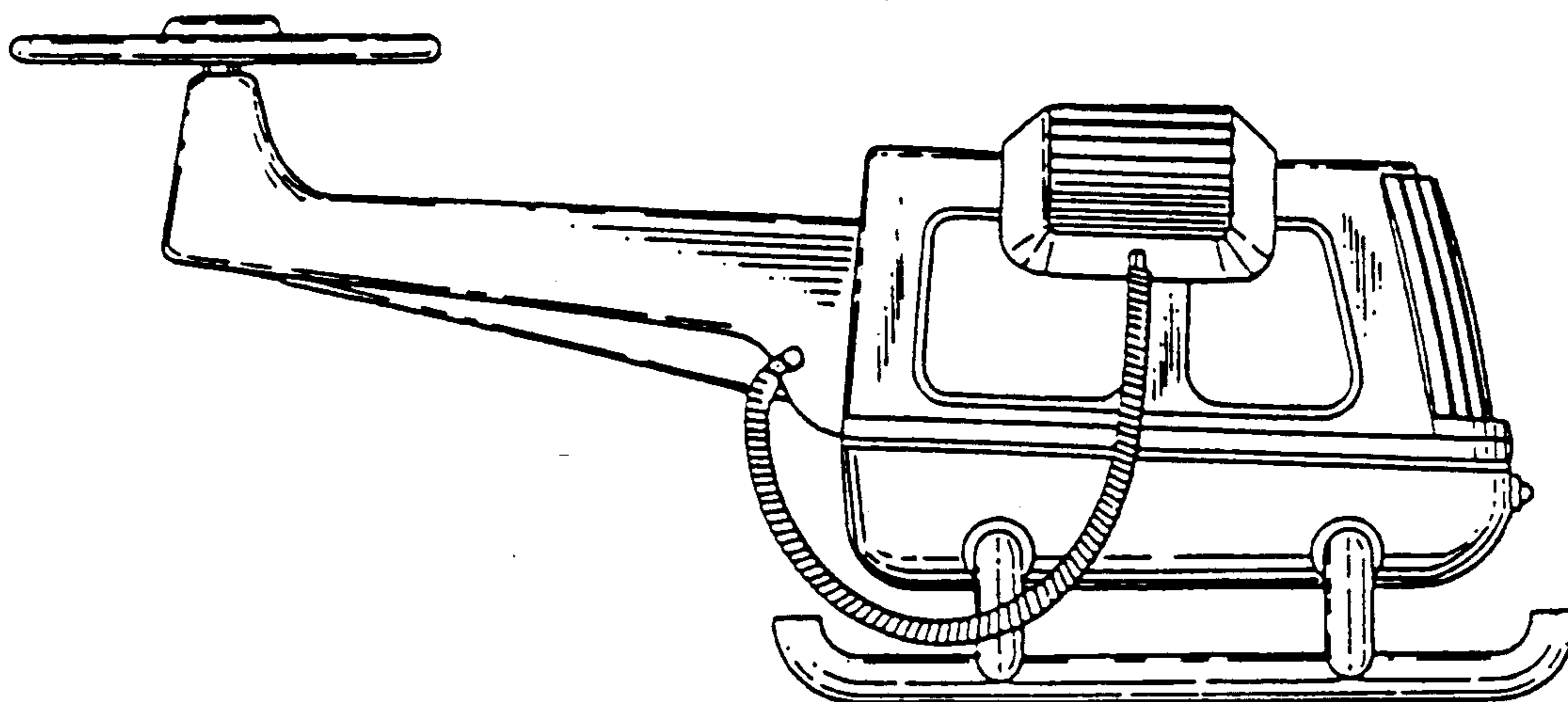
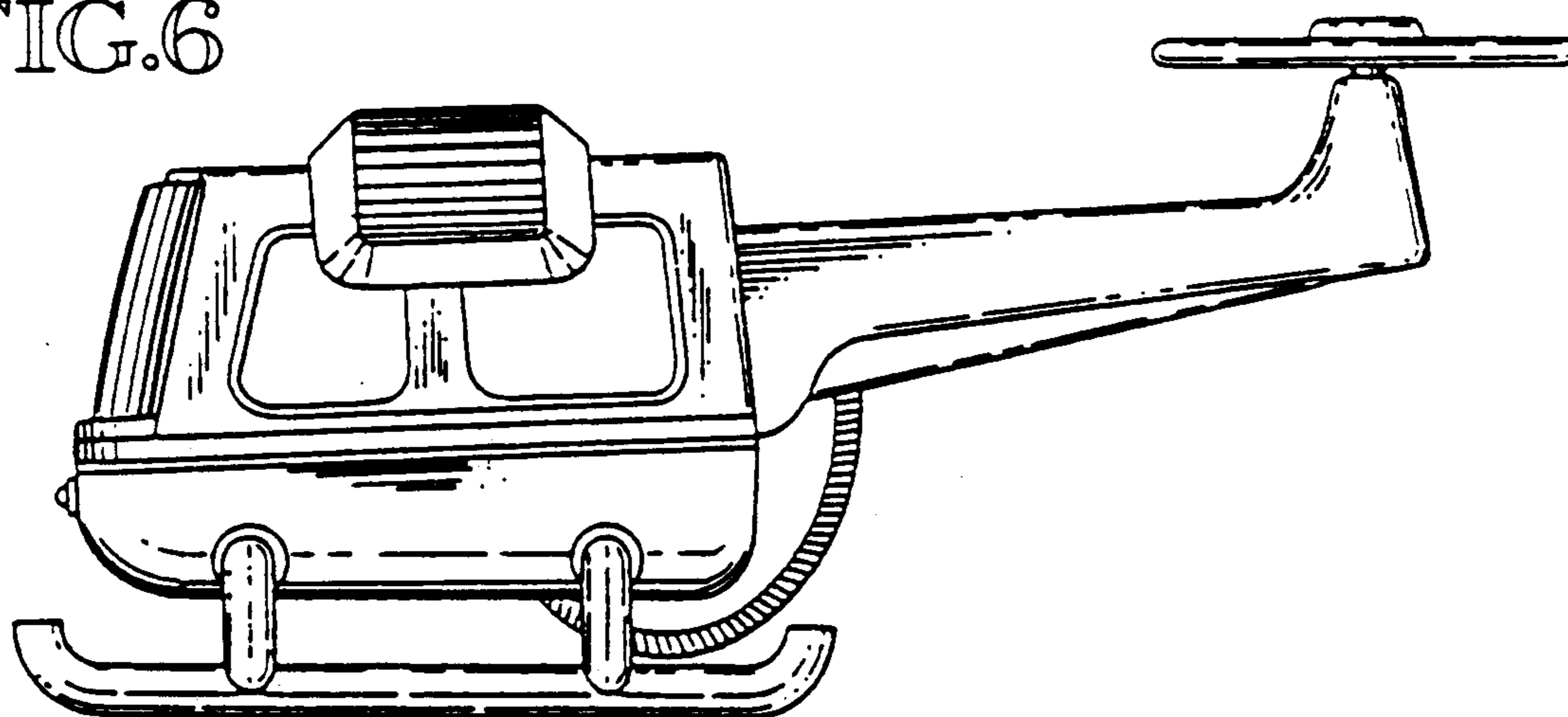


FIG.6



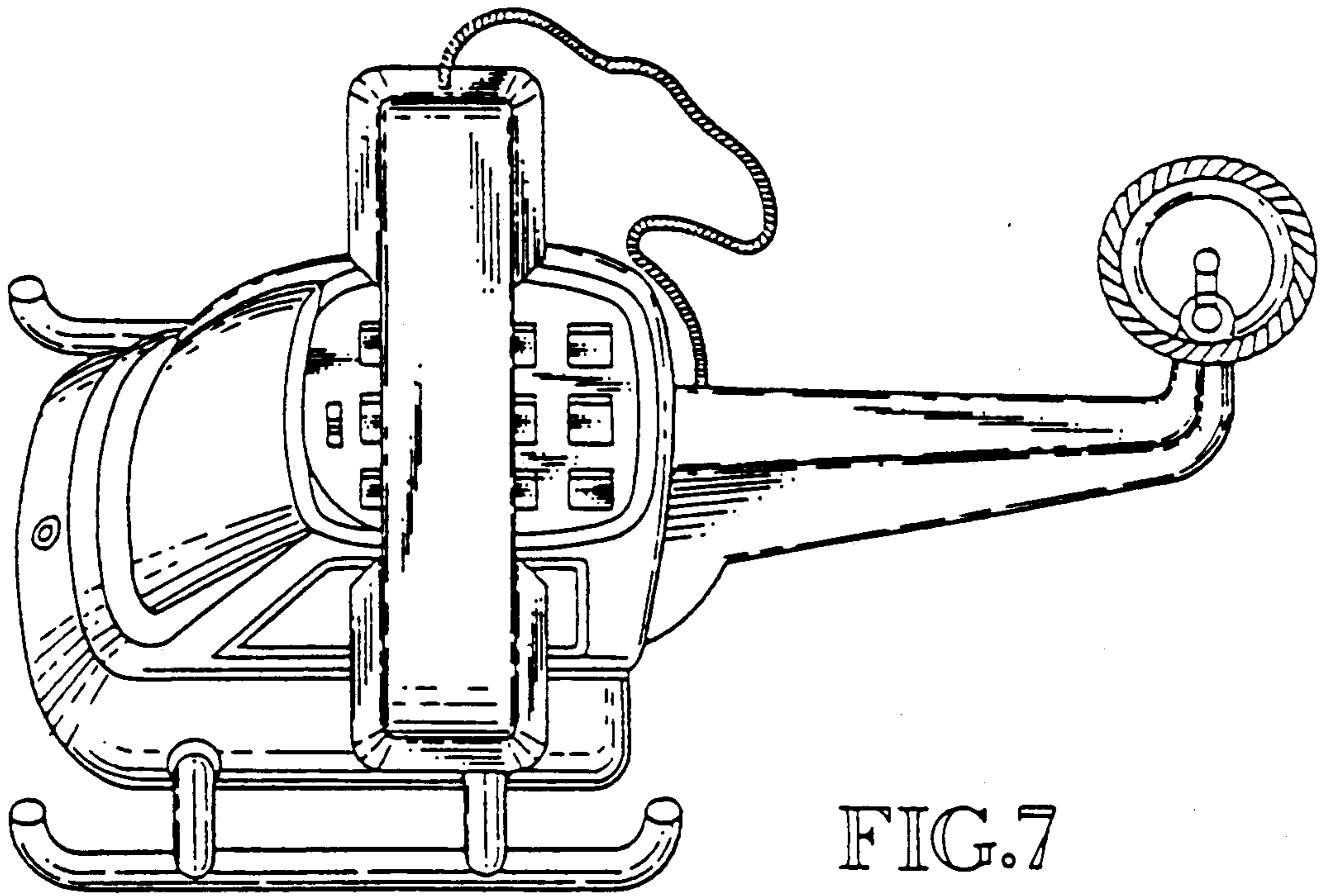


FIG. 7

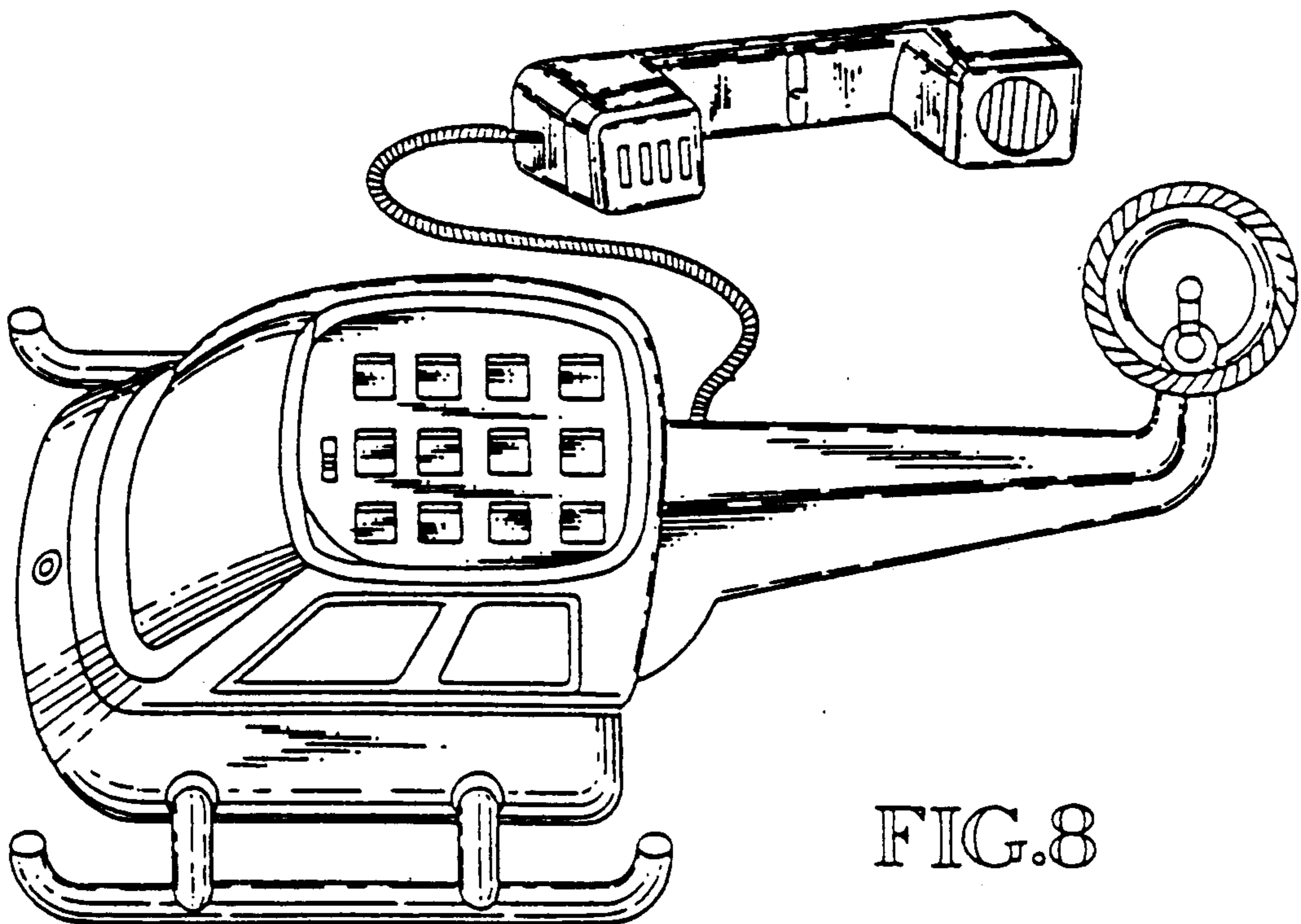


FIG. 8