

[54] CASSETTE HEAD CLEANER

[76] Inventor: Lee S. Eng, 27 Jalan Bunga Melur 9, Taman Muda, Cheras, 56100, Kuala Lumpur, Malaysia

[**] Term: 14 Years

[21] Appl. No.: 366,025

[22] Filed: Jun. 14, 1989

[52] U.S. Cl. D14/121; D14/120

[58] Field of Search D14/114, 120-122, D14/299; D18/12, 22; 242/55.19 A, 197-199

[56] References Cited

U.S. PATENT DOCUMENTS

- D. 262,877 2/1982 Yoshizawa D14/121
- D. 286,631 11/1986 Hashimoto D14/121

- D. 307,582 5/1990 Elliott et al. D14/121
- D. 311,736 10/1990 Perelli D14/121

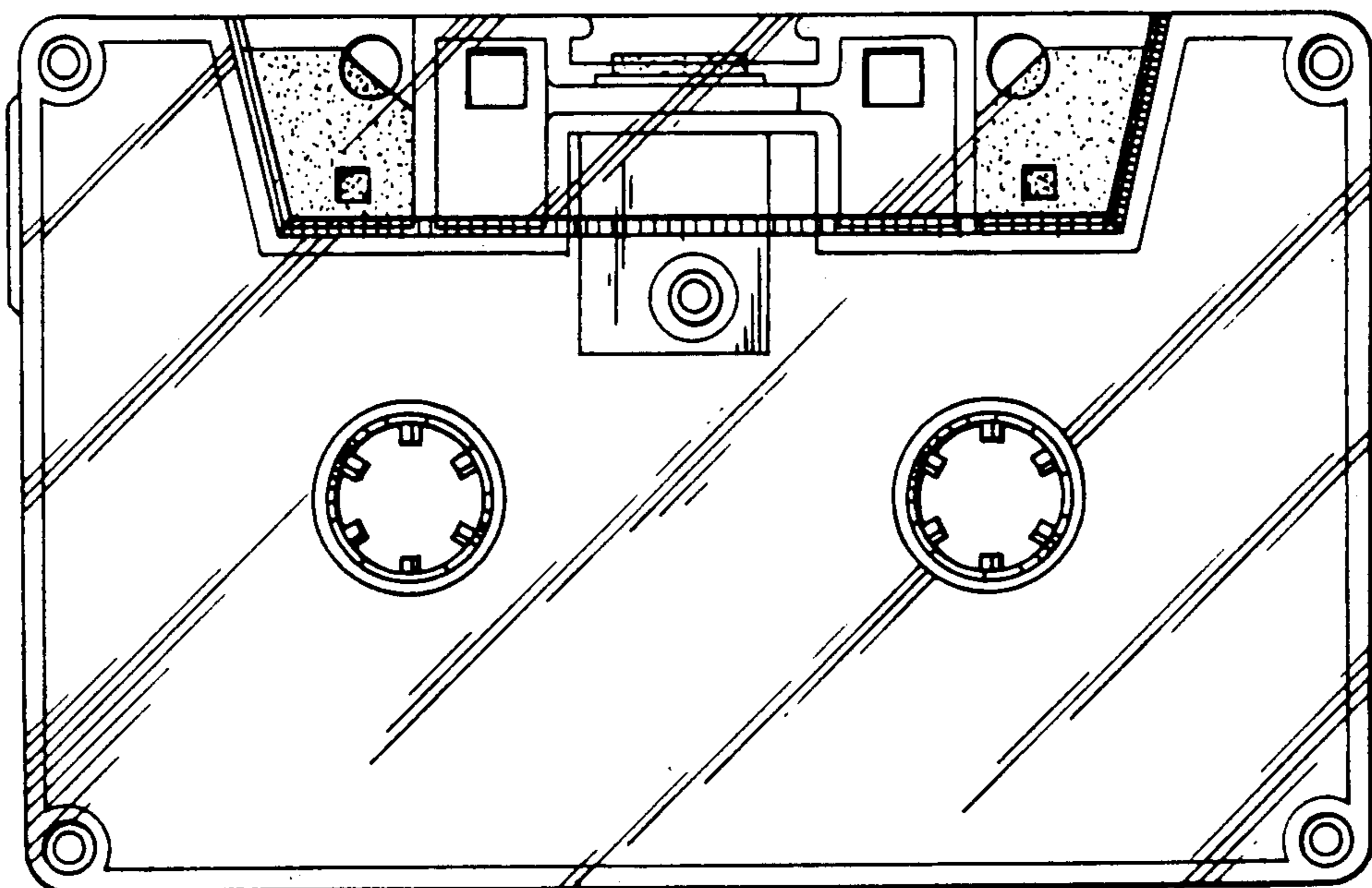
Primary Examiner—Theodore M. Shooman
Attorney, Agent, or Firm—Zarley, McKee, Thomte, Voorhees & Sease

[57] CLAIM

The ornamental design for a cassette head cleaner, as shown and described.

DESCRIPTION

FIG. 1 is a front elevational view of a cassette head cleaner showing my new design;
FIG. 2 is a top plan view thereof;
FIG. 3 is a rear elevational view thereof;
FIG. 4 is a side elevational view thereof, the opposite side being a mirror image;
FIG. 5 is a bottom plan view thereof.



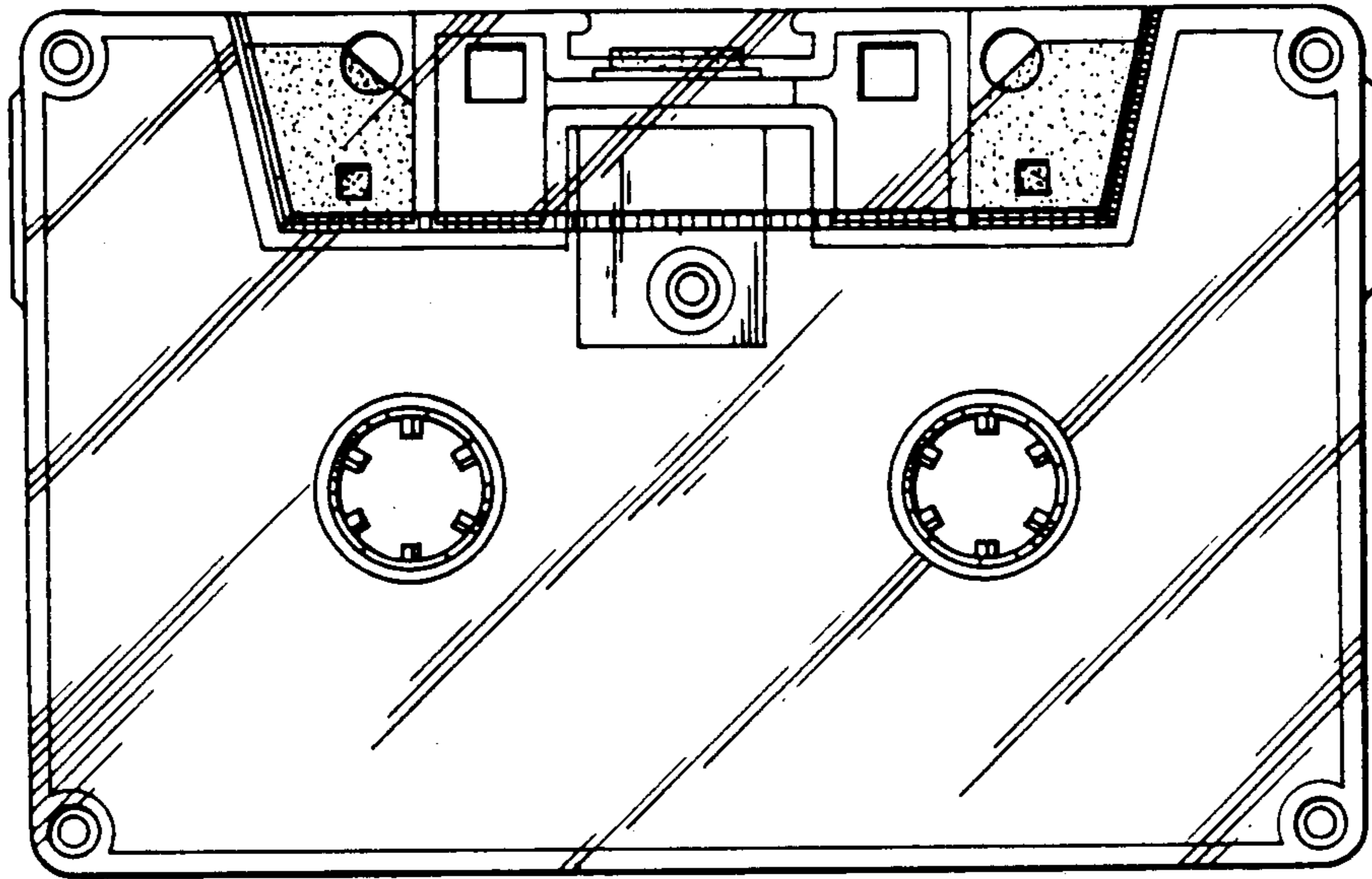


Fig. 1



Fig. 2

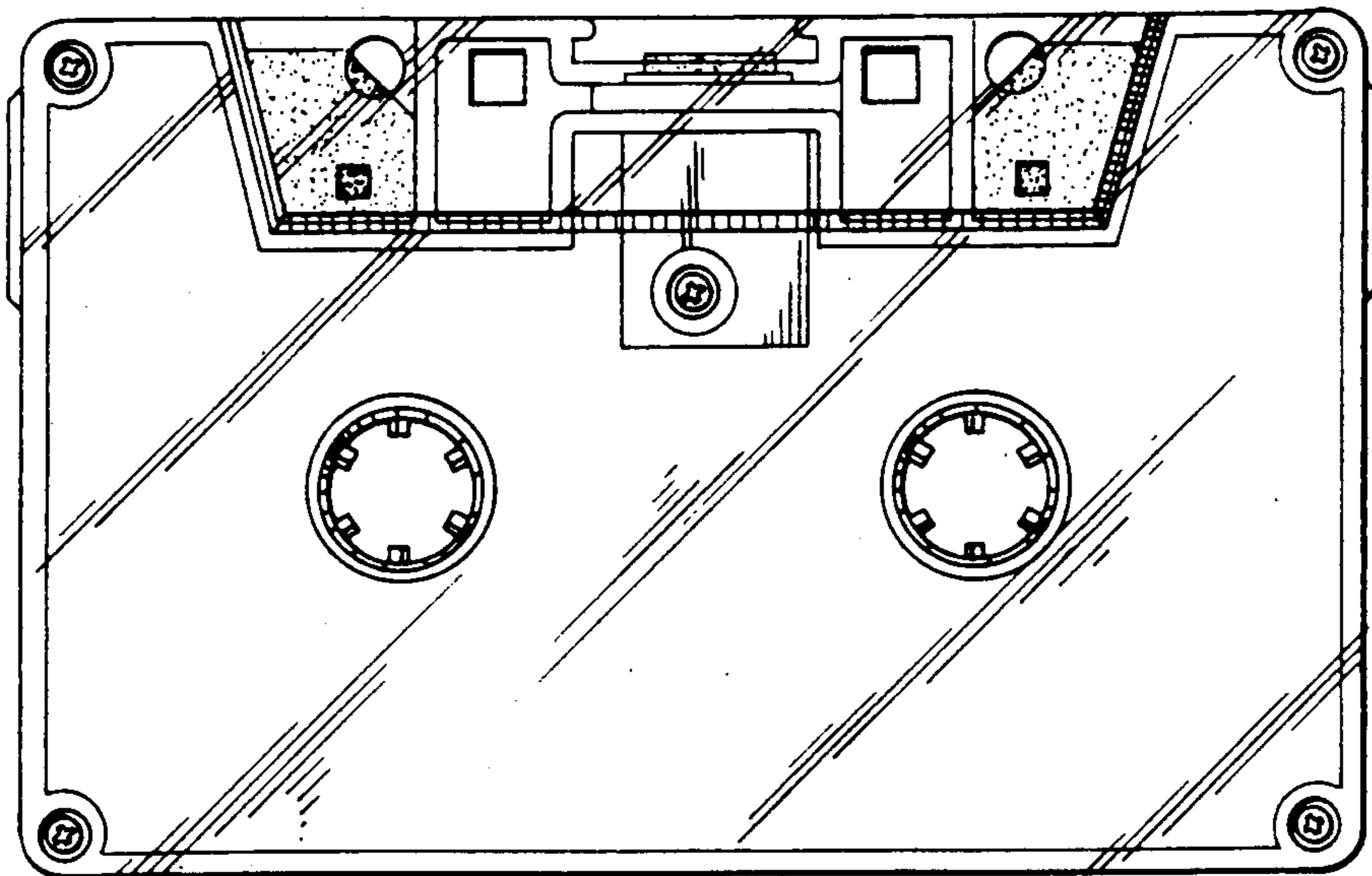


Fig. 3

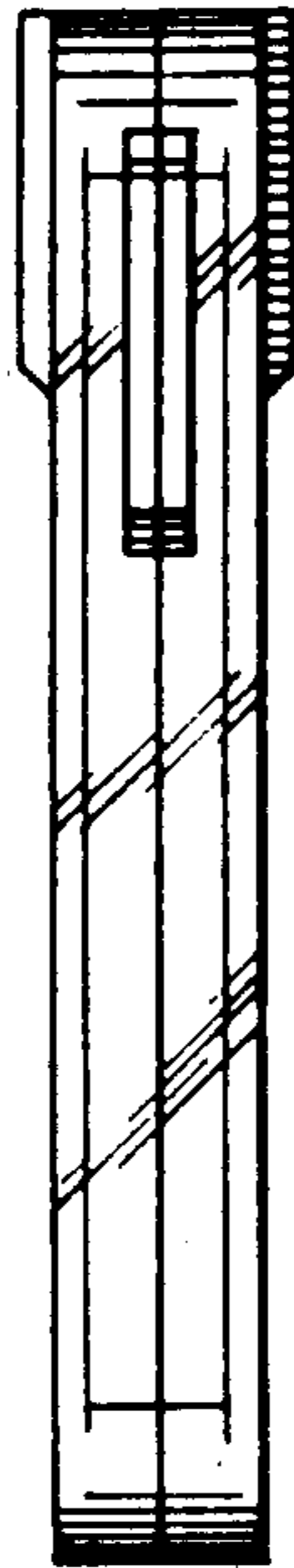


Fig. 4

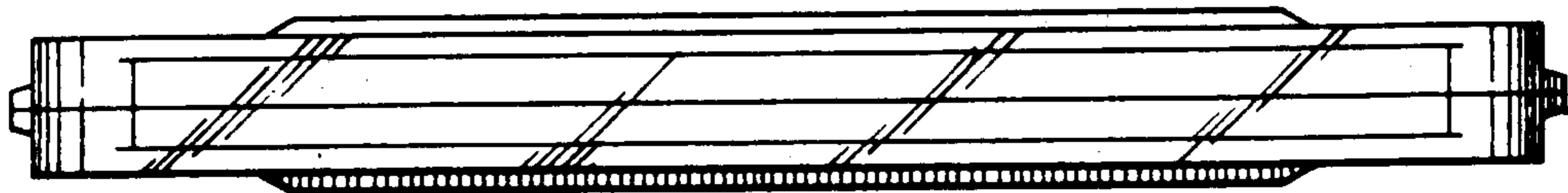


Fig. 5