

[54] AUDIO TAPE CASSETTE

[75] Inventor: Makoto Isozaki, Tokyo, Japan

[73] Assignee: Fuji Photo Film Co., Ltd., Kanagawa, Japan

[\*\*] Term: 14 Years

[21] Appl. No.: 318,141

[22] Filed: Mar. 2, 1989

[30] Foreign Application Priority Data

Sep. 9, 1988 [JP] Japan ..... 63-35694

[52] U.S. Cl. .... D14/121; D14/120

[58] Field of Search ..... D14/114, 120-122, D14/299; D18/12, 22; 242/55.19 A, 197-199

[56] References Cited

U.S. PATENT DOCUMENTS

D. 223,029 2/1972 Weiss et al. .... D14/121

D. 262,876 2/1982 Yoshizawa ..... D14/121

D. 289,637 5/1987 Ohya et al. .... D14/121

D. 304,581 11/1989 Nakaizumi ..... D14/121

D. 308,866 6/1990 Kinoshita et al. .... D14/121

Primary Examiner—Theodore M. Shooman  
Attorney, Agent, or Firm—Young & Thompson

[57] CLAIM

The ornamental design for an audio tape cassette, as shown.

DESCRIPTION

FIG. 1 is a top, front and left side perspective view of an audio tape cassette showing my new design; FIG. 2 is a top plan view thereof; FIG. 3 is a bottom plan view thereof; FIG. 4 is a rear elevational view thereof; FIG. 5 is a front elevational view thereof; FIG. 6 is a left side elevational view thereof, shown rotated 90 degrees from FIG. 2; and FIG. 7 is a right side elevational view thereof, shown rotated 90 degrees from FIG. 2.

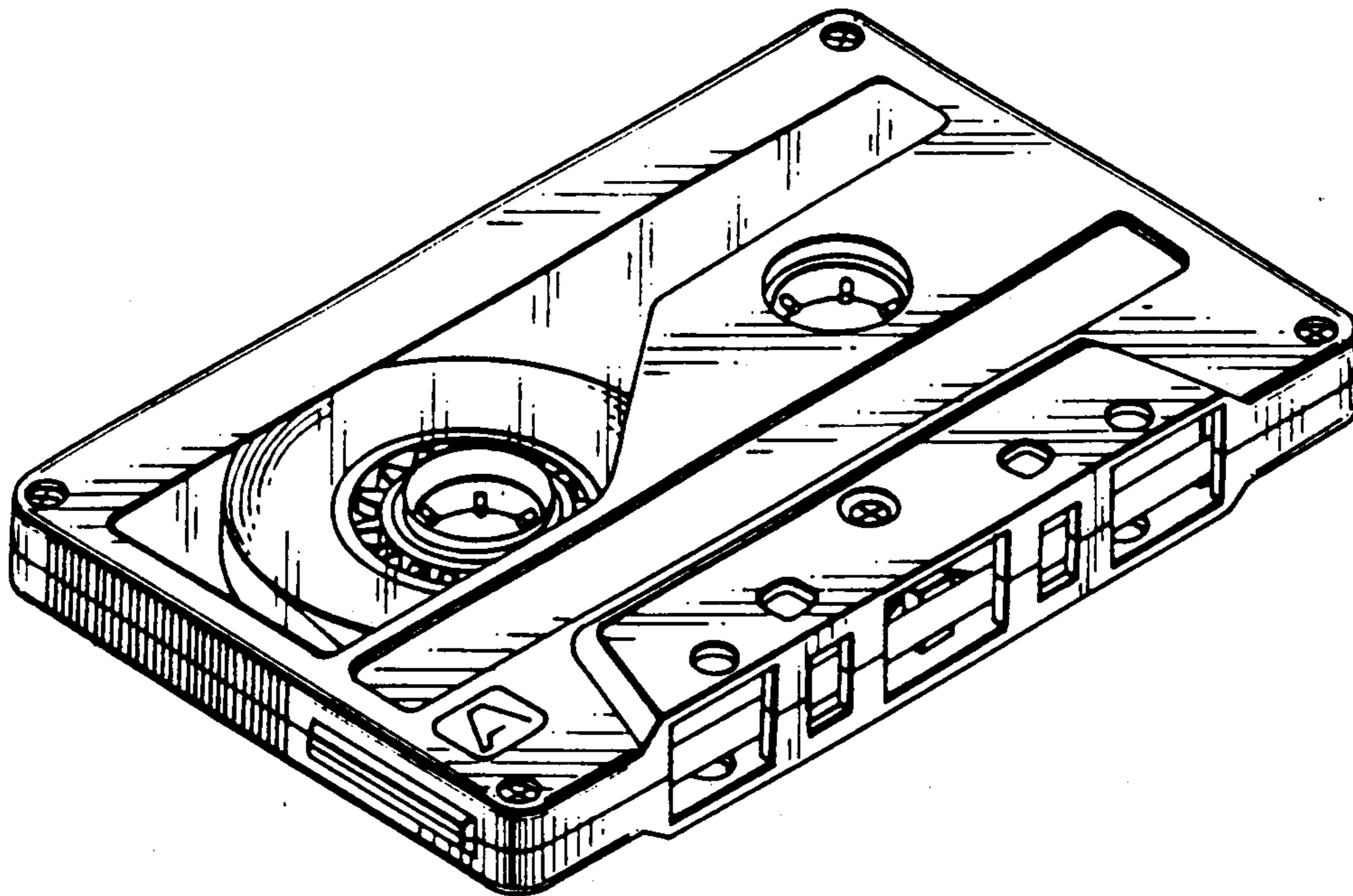


FIG. 1

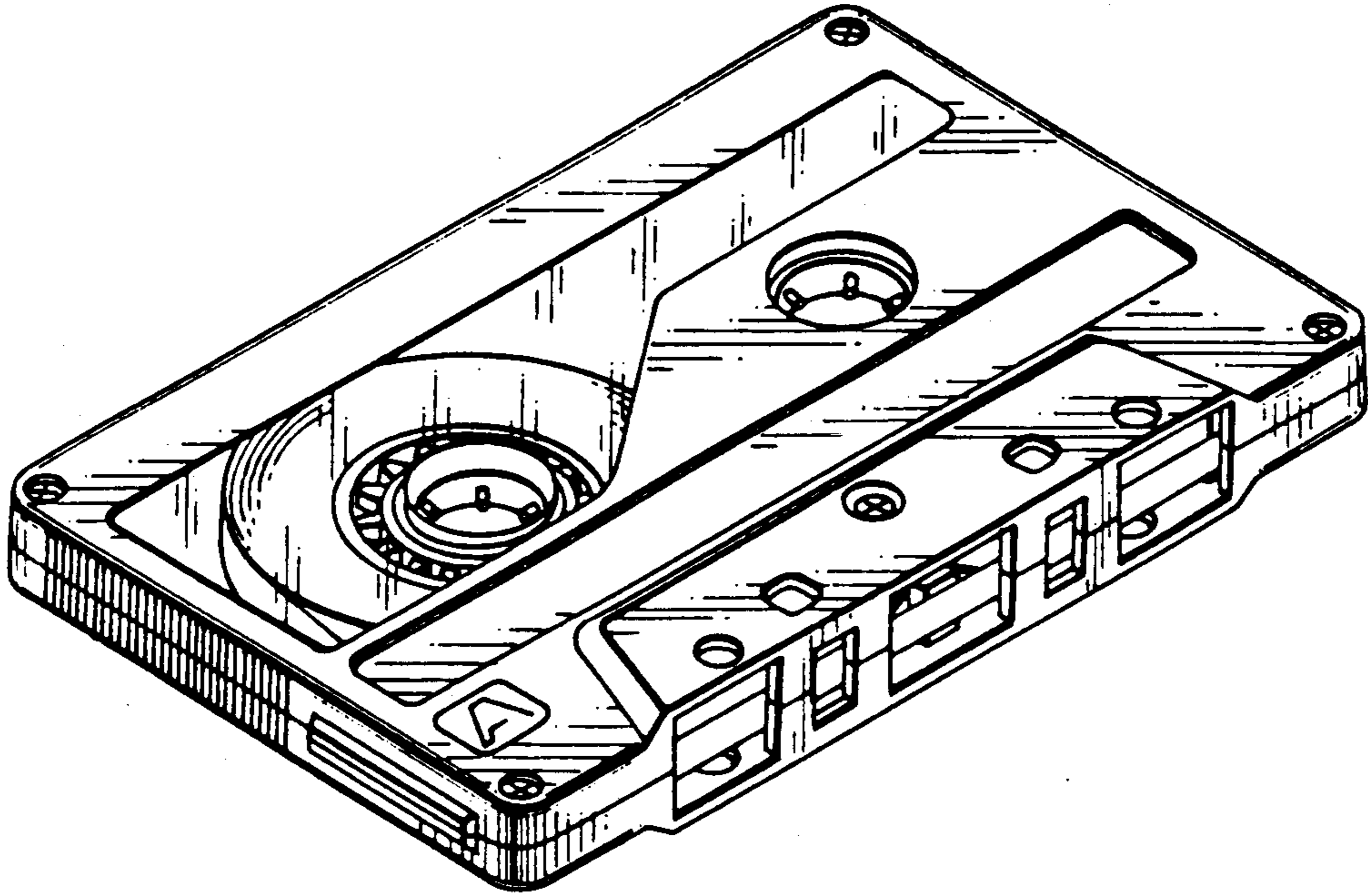


FIG. 2

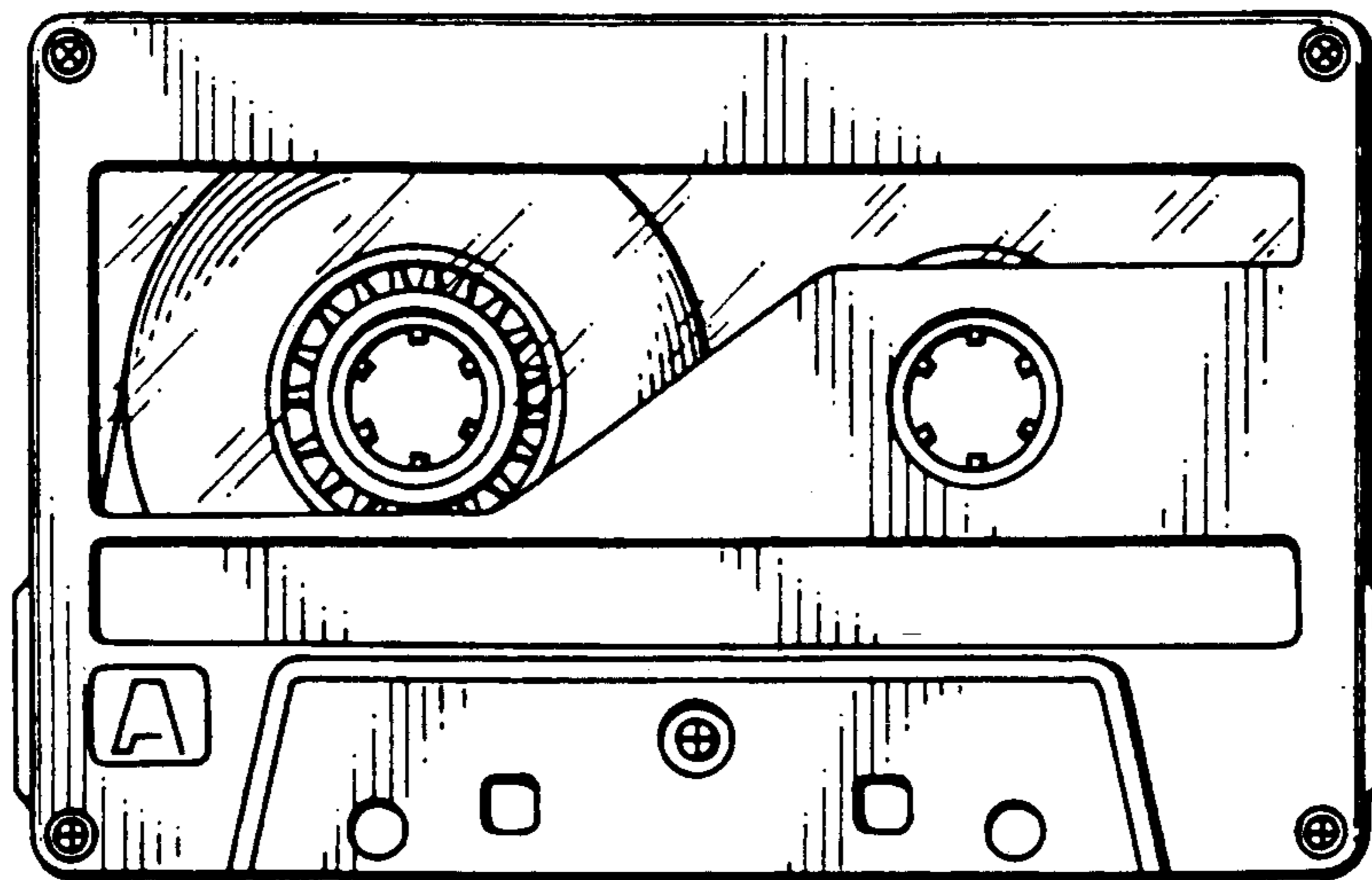


FIG. 3

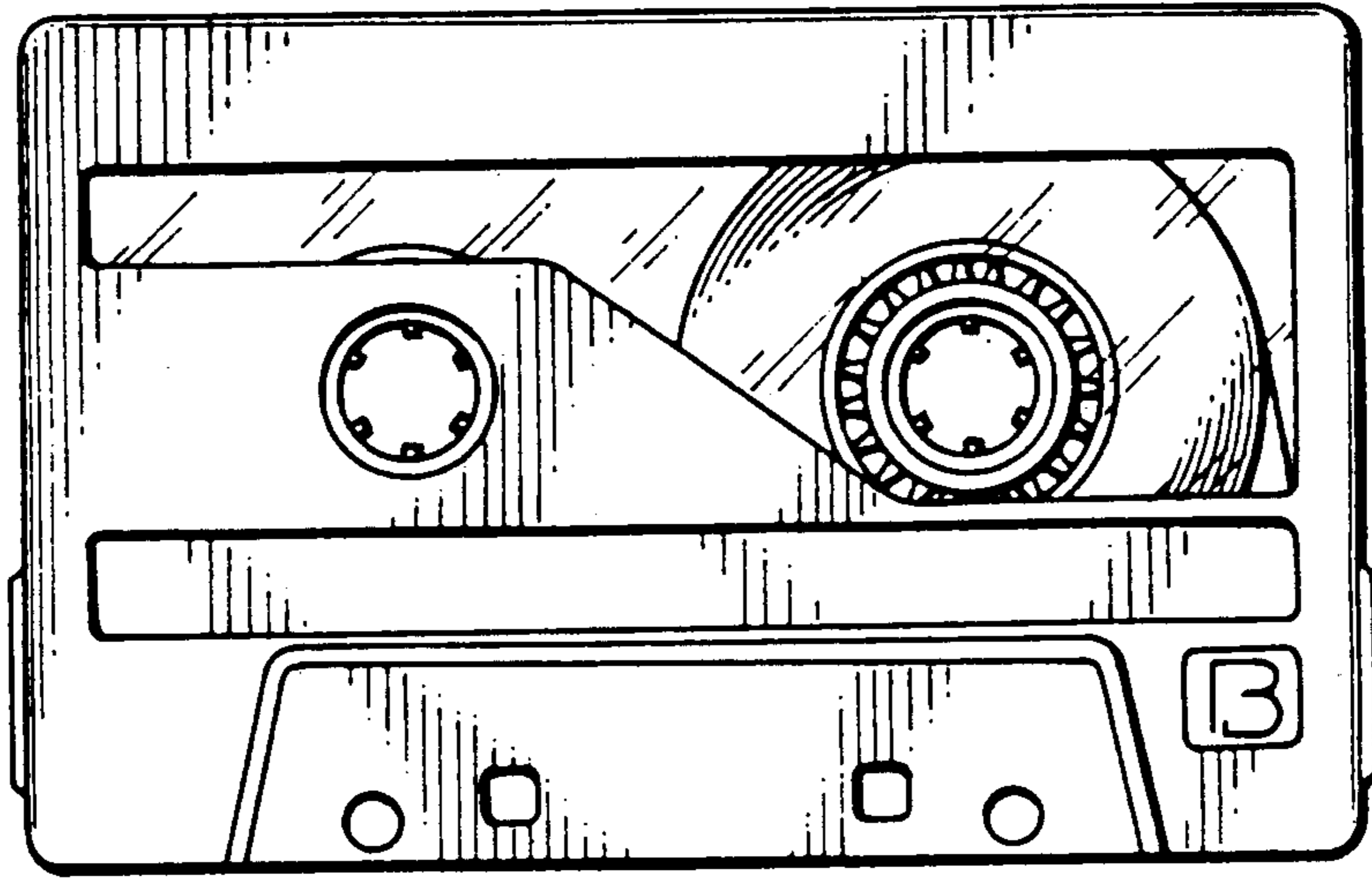


FIG. 4

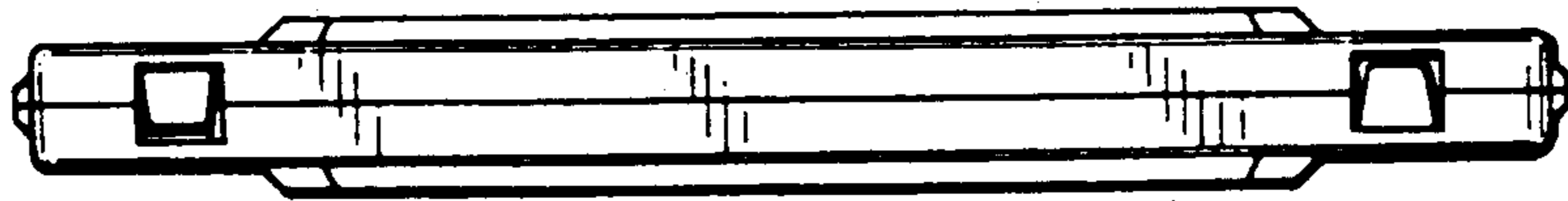


FIG. 5

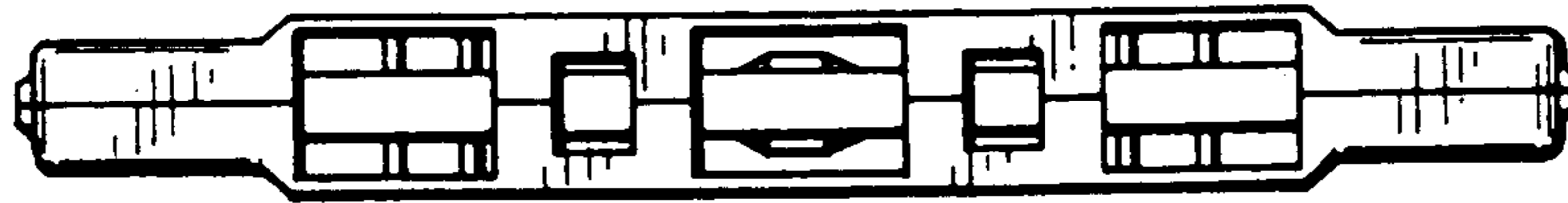


FIG. 6

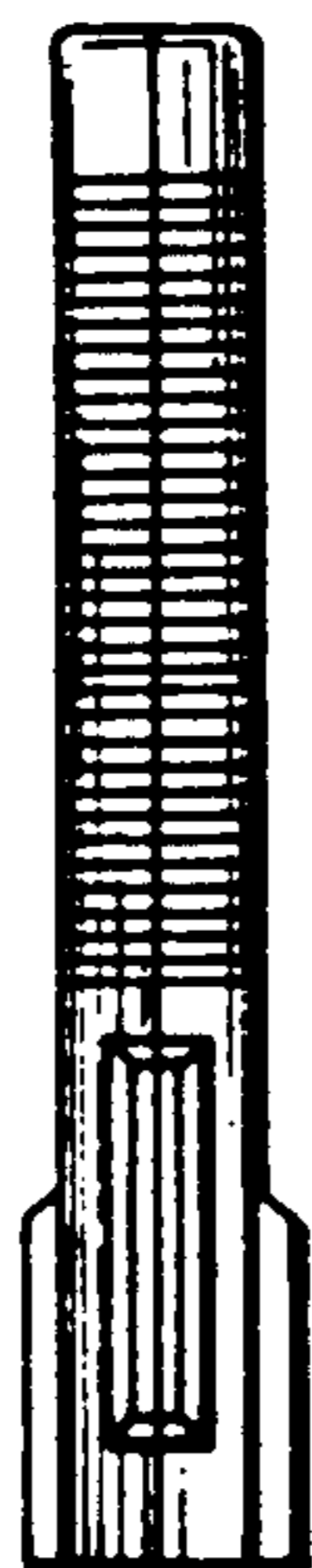


FIG. 7

