

[54] TRACKBALL

4,538,476 9/1985 Luque 74/471 XY

[75] Inventors: **Kanae Koh**, San Francisco; **Josef Bismanovsky**, Mountain View, both of Calif.

[73] Assignee: **Logitech, Inc.**, Fremont, Calif.

[**] Term: **14 Years**

[21] Appl. No.: **447,701**

[22] Filed: **Dec. 8, 1989**

[52] U.S. Cl. **D14/114**

[58] Field of Search **D14/100, 106, 114; D13/158; D21/48; 178/18, 19; 200/5 A, 5 R, 6 A, 6 R; 273/148 B; 340/707, 710; 74/471 XY**

[56] **References Cited**

U.S. PATENT DOCUMENTS

- D. 276,247 11/1984 Kim D21/48
- D. 301,256 5/1989 Iwata D21/48

OTHER PUBLICATIONS

Creative Computing, Jan. 1984, The Robo Stick, top of page.

Primary Examiner—Wallace R. Burke
Assistant Examiner—Freda S. Nunn
Attorney, Agent, or Firm—Harrison & Eakin

[57] **CLAIM**

The ornamental design for a trackball, as shown and described.

DESCRIPTION

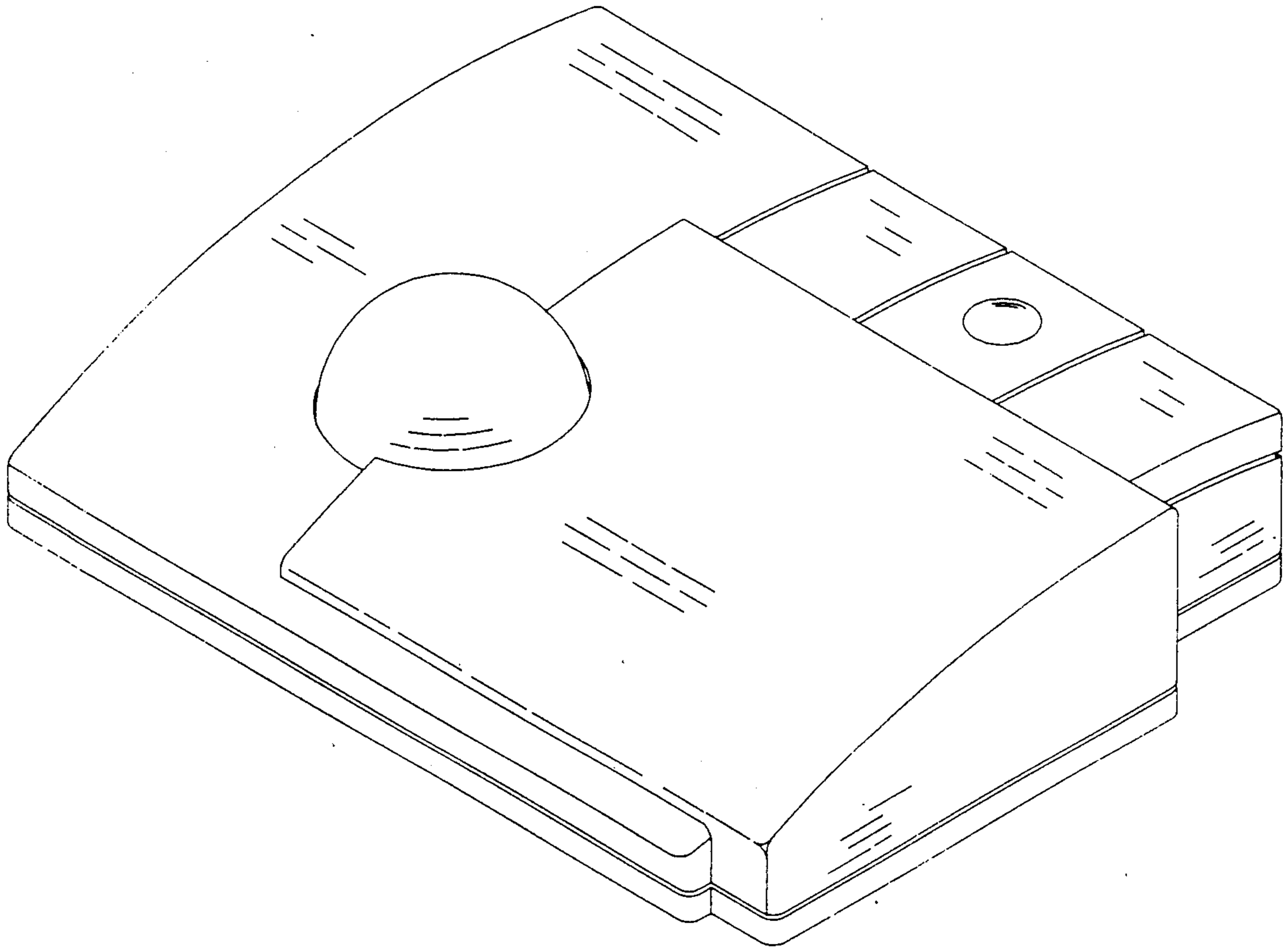
FIG. 1 is a rear elevational view of a trackball showing our new design.

FIG. 2 is a top plan view thereof,

FIG. 3 is a right side elevational view thereof,

FIG. 4 is a top, front, right side perspective view thereof on an enlarged scale.

FIG. 5 is a left side elevational view thereof.



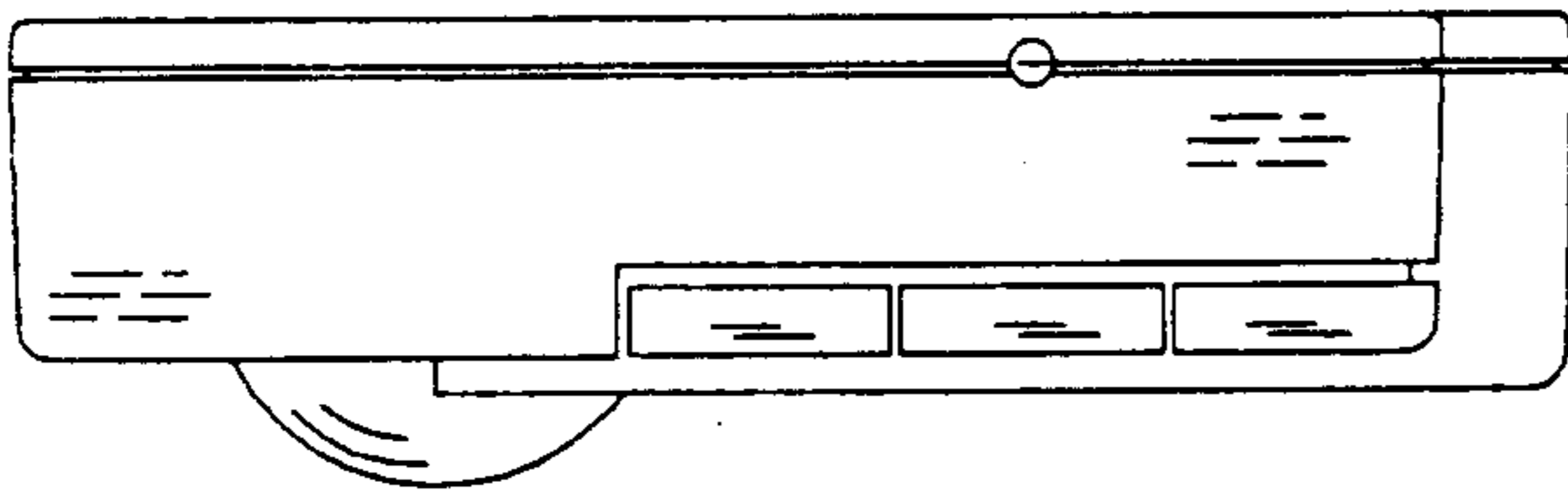


Figure 1

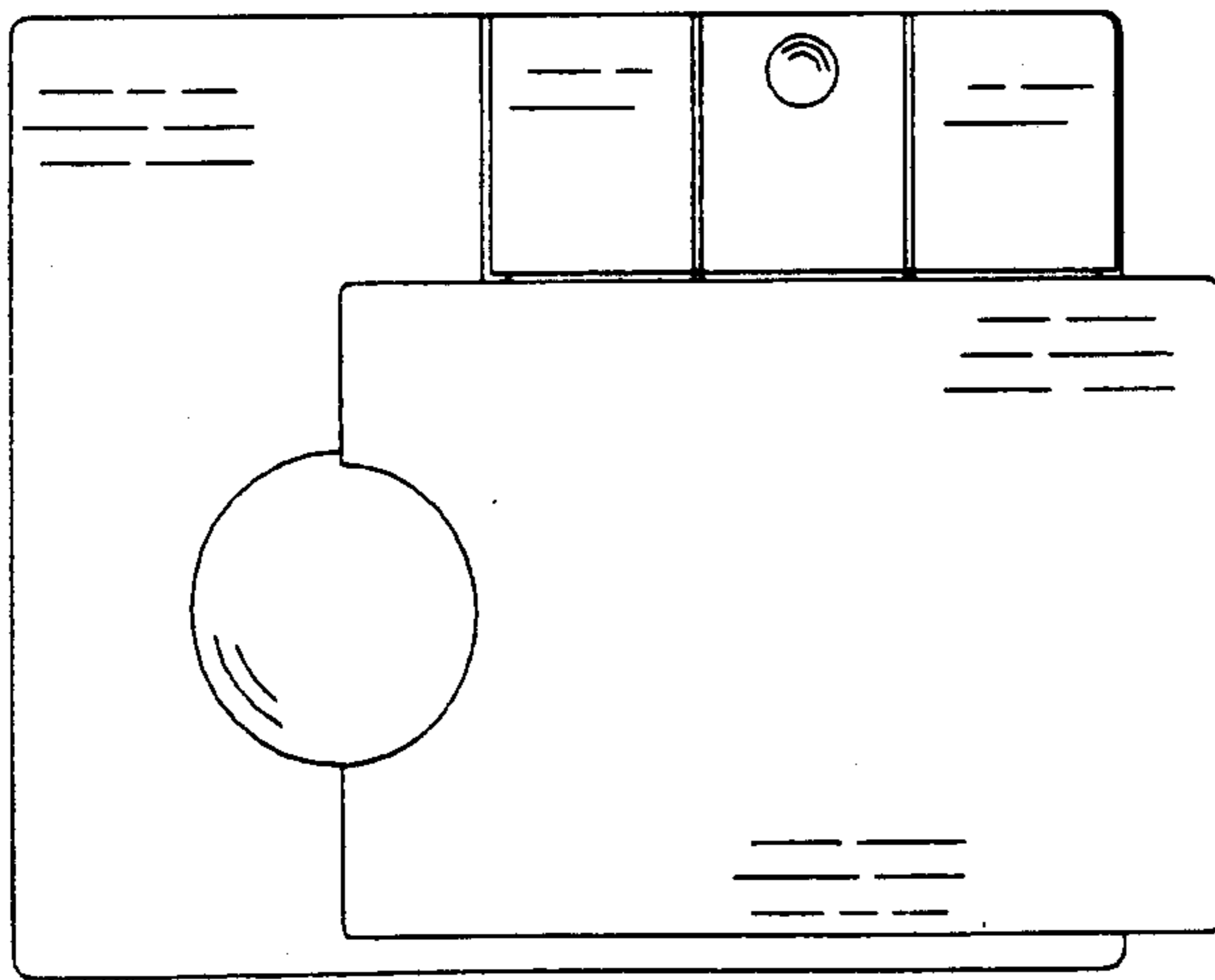


Figure 2

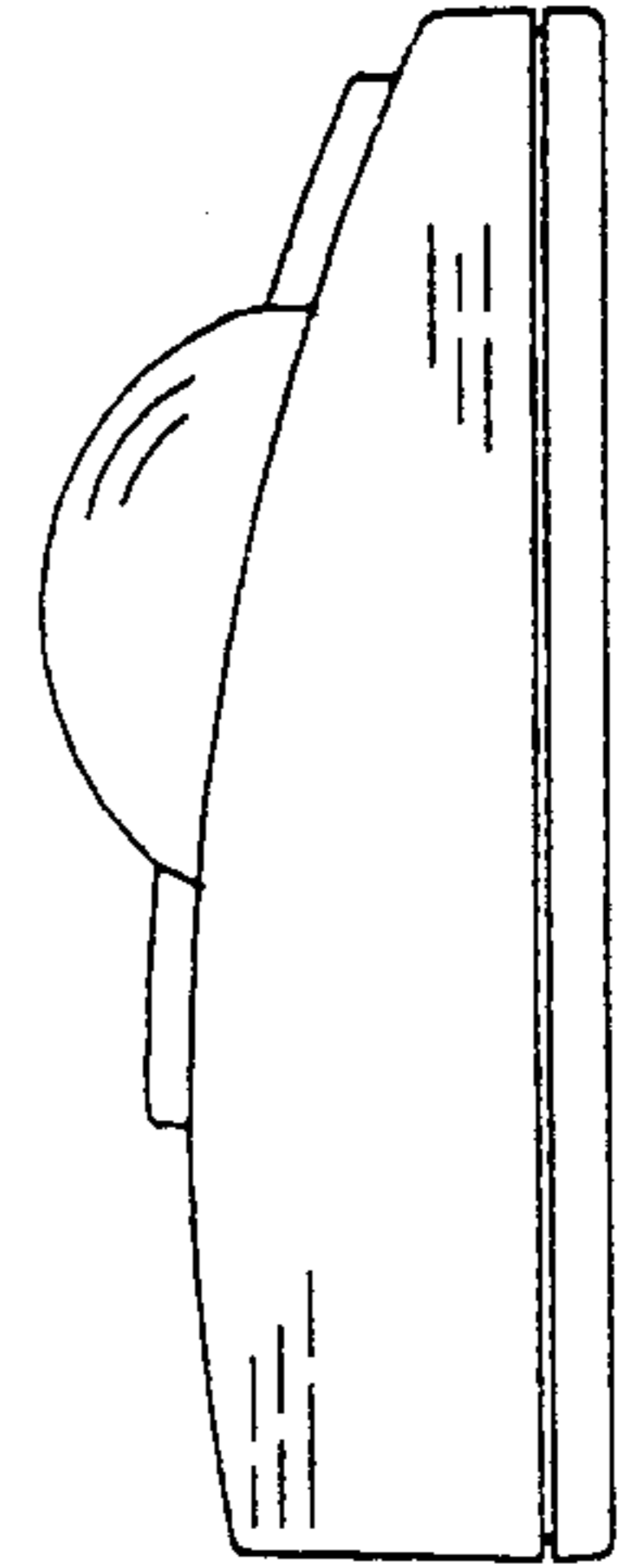


Figure 5

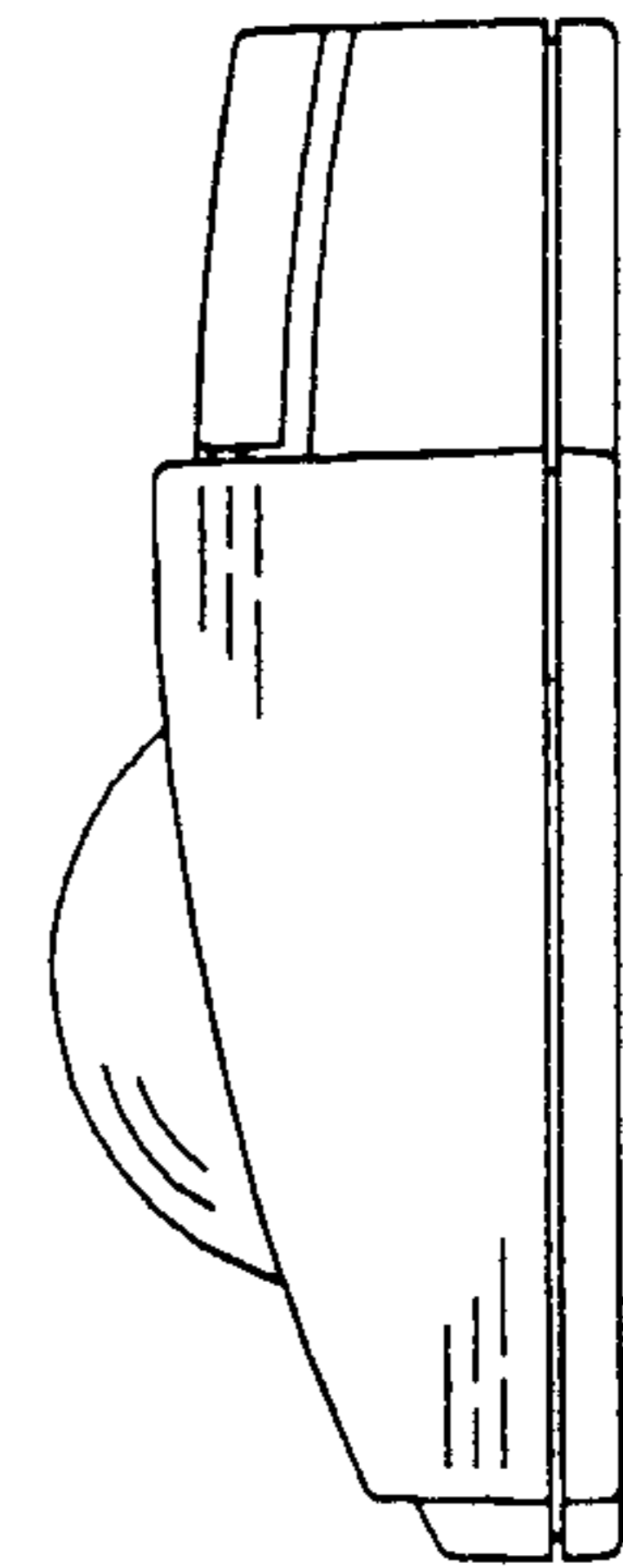


Figure 3

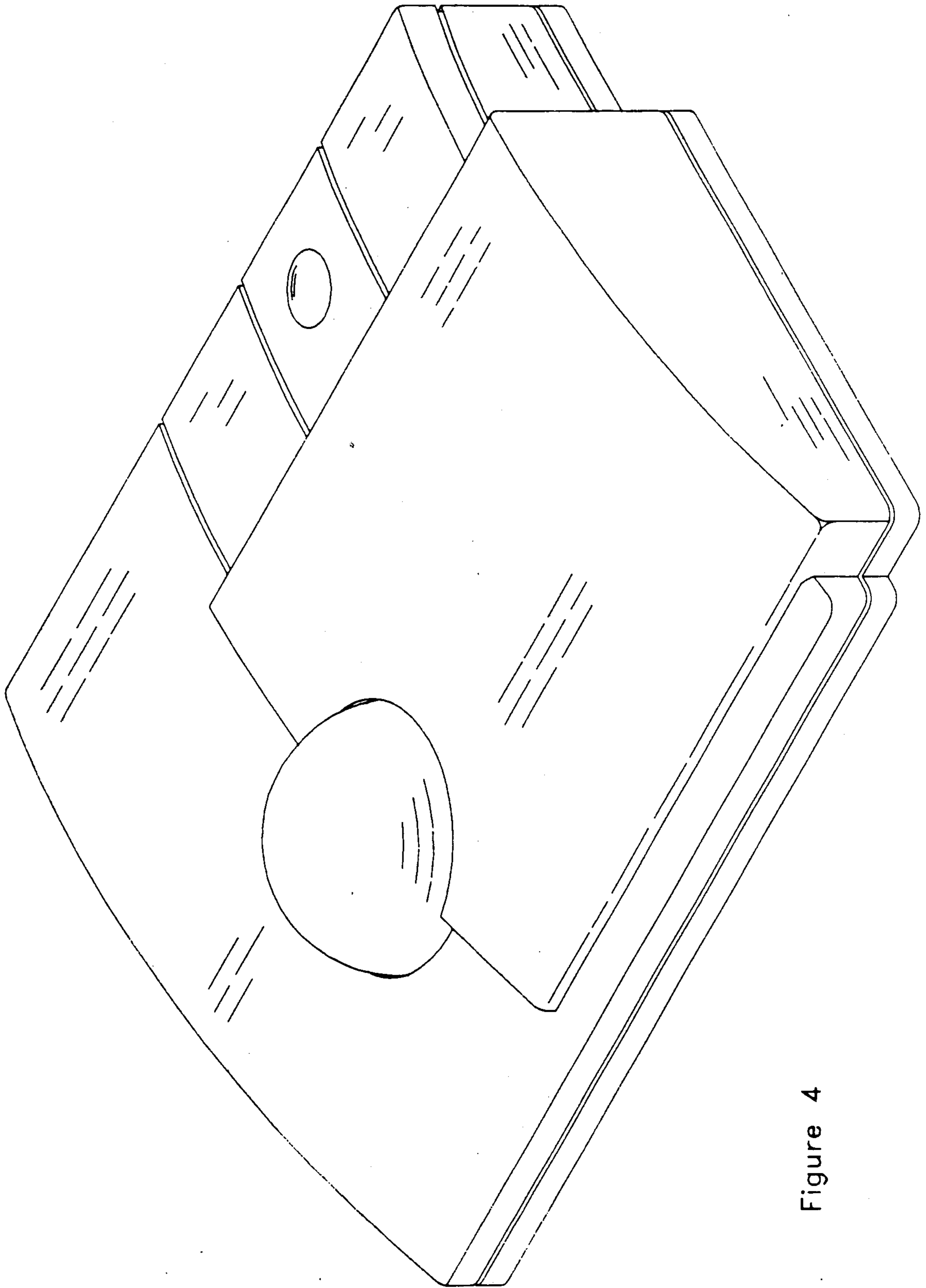


Figure 4