

[54] **ELECTRICAL CONNECTOR FOR APPLIANCES**

[76] **Inventor: Peter E. Bender, Oberdorfstrasse 26, CH-8820 Wädenswil, Switzerland**

[**] **Term: 14 Years**

[21] **Appl. No.: 296,753**

[22] **Filed: Jan. 13, 1989**

[30] **Foreign Application Priority Data**

Jul. 20, 1988 [CH] Switzerland 116 874

[52] **U.S. Cl. D13/146; D13/141; D13/143**

[58] **Field of Search D13/158, 159, 174, 142, D13/133, 139, 146, 169; 200/302.2, 315, 339, 553; 439/527, 529, 533, 540, 677-679, 685**

[56] **References Cited**

U.S. PATENT DOCUMENTS

- D. 278,624 4/1985 Stone D13/146
- 3,562,696 2/1971 Barnhart et al. 439/248
- 4,545,631 10/1985 Zampini D8/350 X

OTHER PUBLICATIONS

Switchcraft Power Receptacles on p. 168 of 1986 Allied Electronics catalog.

Power Entry Modules on p. 36 of Arrow Electronics catalog ©1988.

Primary Examiner—Susan J. Lucas

Assistant Examiner—J. Sincavage

Attorney, Agent, or Firm—Watson, Cole, Grindle & Watson

[57] **CLAIM**

The ornamental design for an electrical connector for appliances, as shown and described.

DESCRIPTION

FIG. 1 is a top plan view of an electrical connector for appliances showing our new design, the bottom plan view being plain and unornamented;

FIG. 2 is a left side elevational view thereof, the right side elevational view thereof being a mirror image;

FIG. 3 is a left end elevational view thereof;

FIG. 4 is a right end elevational view thereof;

FIG. 5 is a perspective view thereof.

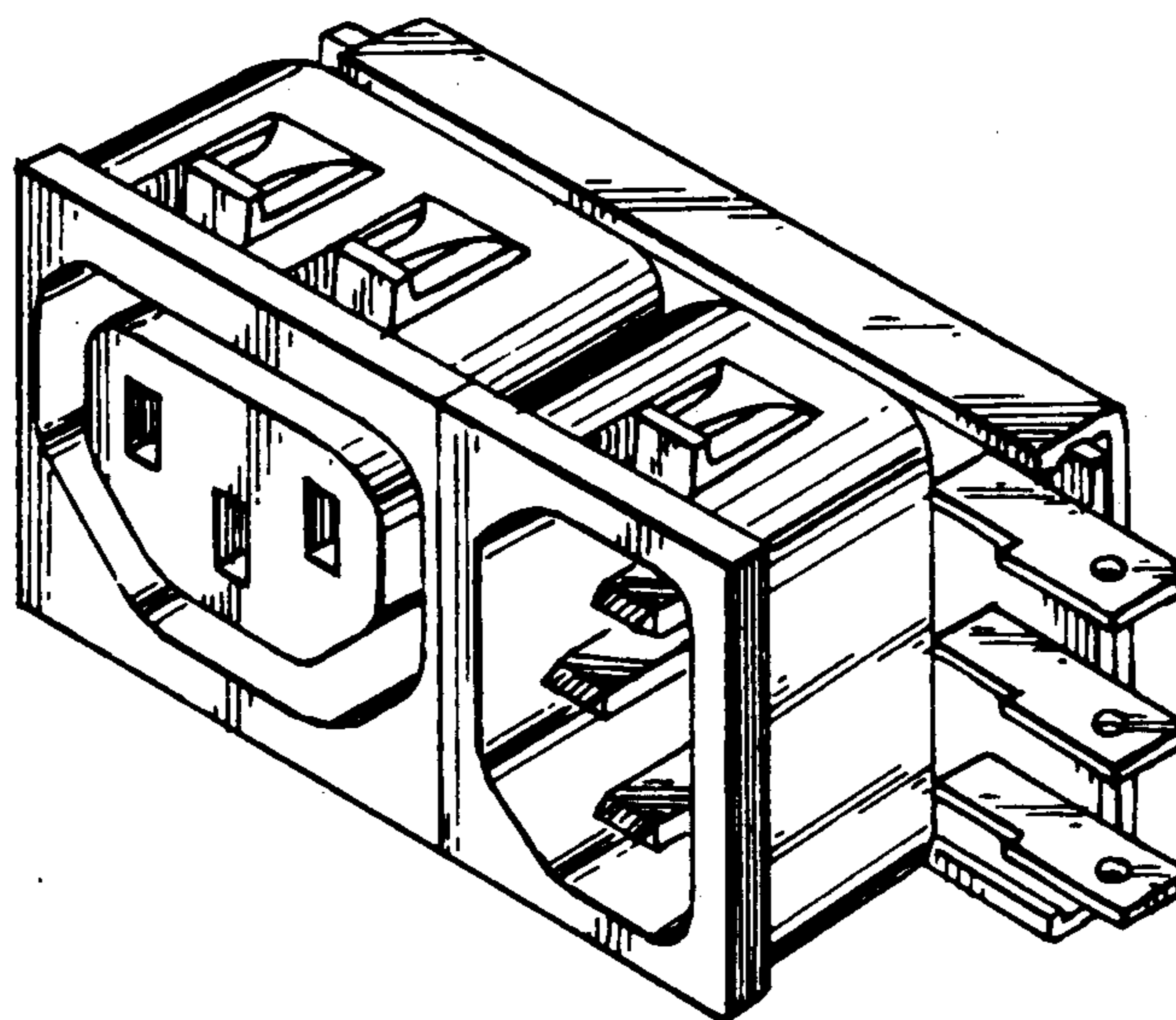


FIG. 1

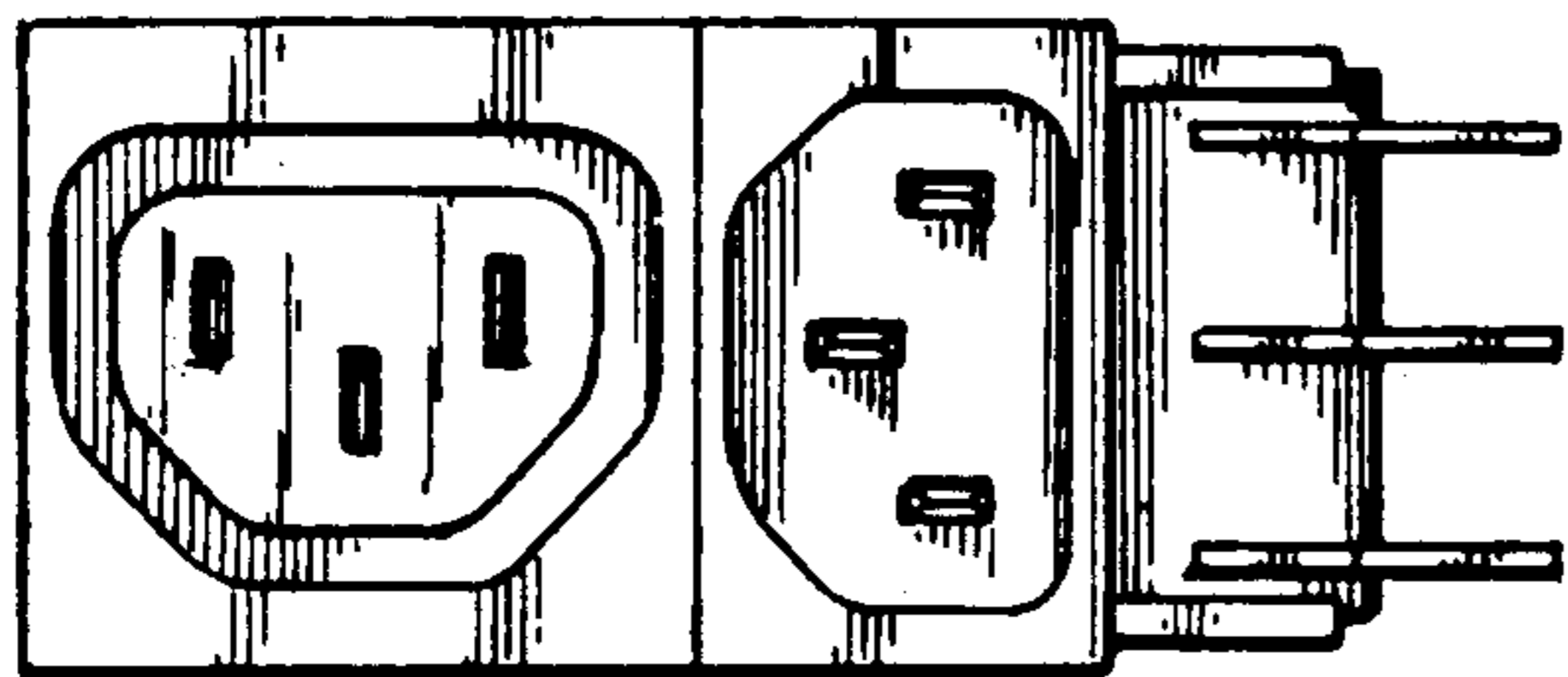


FIG. 2

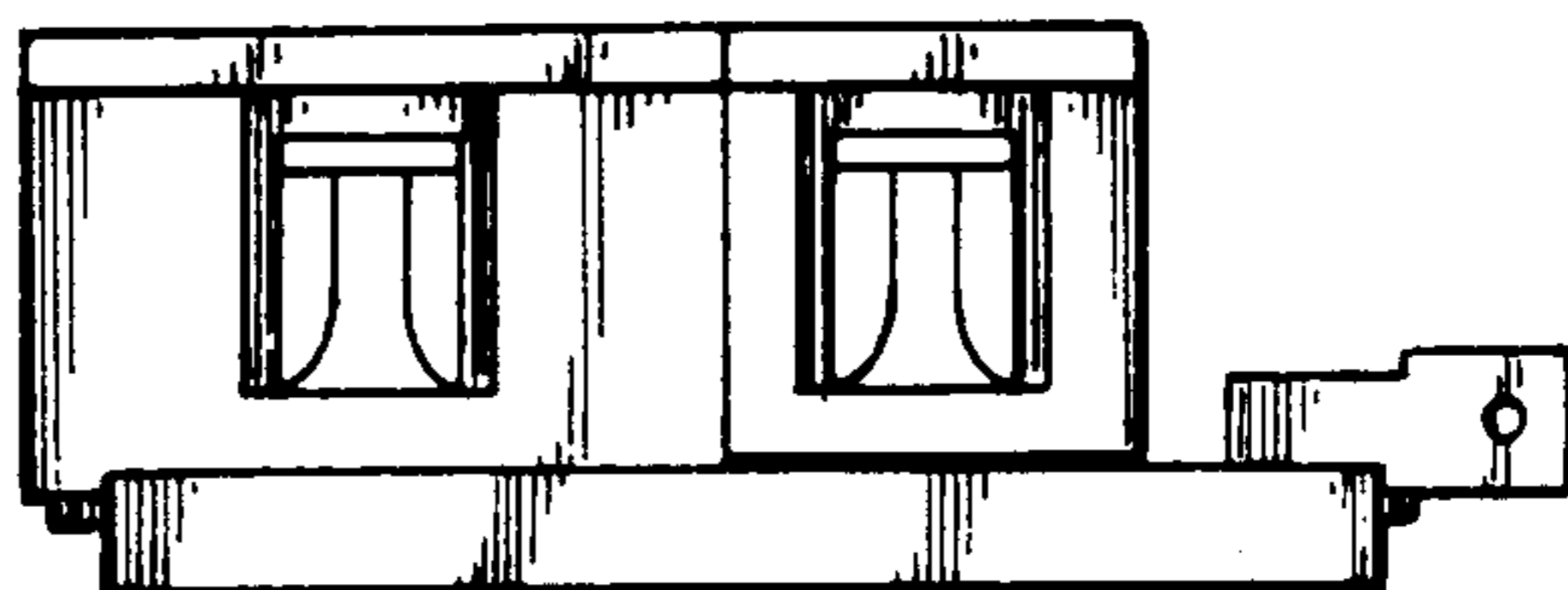


FIG. 3

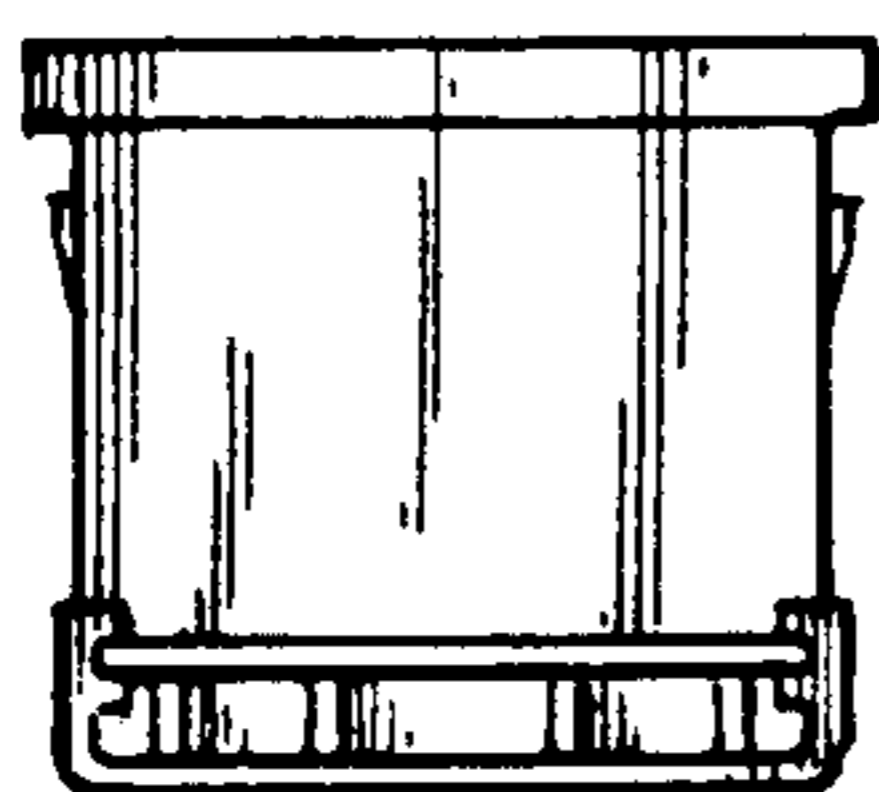


FIG. 4

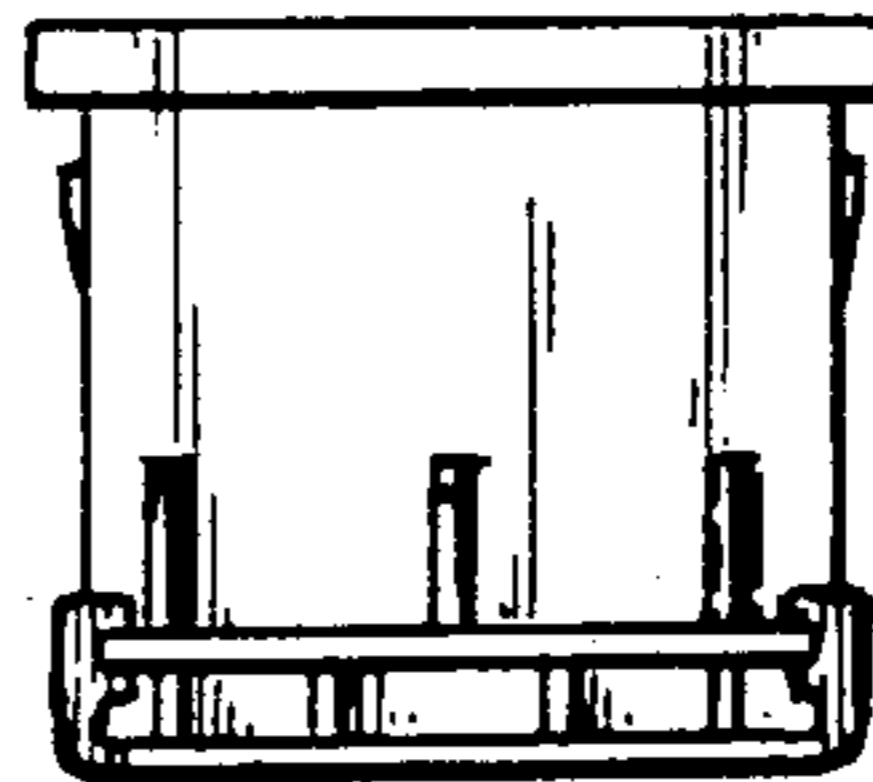


FIG. 5

