

# United States Patent [19]

Rice, Jr. et al.

[11] Patent Number: Des. 320,188

[45] Date of Patent: \*\* Sep. 24, 1991

[54] HOOD ORNAMENT PROTECTOR

[76] Inventors: Albert A. Rice, Jr.; Erin G. J. Dixon,  
both of 658 Worden, Grand Rapids,  
both of Mich. 49507

[\*\*] Term: 14 Years

[21] Appl. No.: 326,252

[22] Filed: Mar. 21, 1989

[52] U.S. Cl. .... D12/197

[58] Field of Search ..... D12/197; 428/31;  
40/591; 280/227

[56] References Cited

U.S. PATENT DOCUMENTS

2,611,687 9/1952 Logue ..... 428/31

3,813,113 5/1974 Burnham ..... 428/31  
4,349,591 10/1982 Kanamori ..... 428/31  
4,400,417 8/1983 Kanamori ..... 428/31  
4,560,597 12/1985 Kanamori ..... D12/197

Primary Examiner—James M. Gandy  
Assistant Examiner—Melody N. Brown  
Attorney, Agent, or Firm—Terry M. Gernstein

[57] CLAIM

The ornamental design for a hood ornament protector,  
as shown.

DESCRIPTION

FIG. 1 is a top, front and side perspective view of a  
hood ornament protector showing my new design;  
FIG. 2 is a side elevational view thereof; and  
FIG. 3 is a bottom plan view thereof.

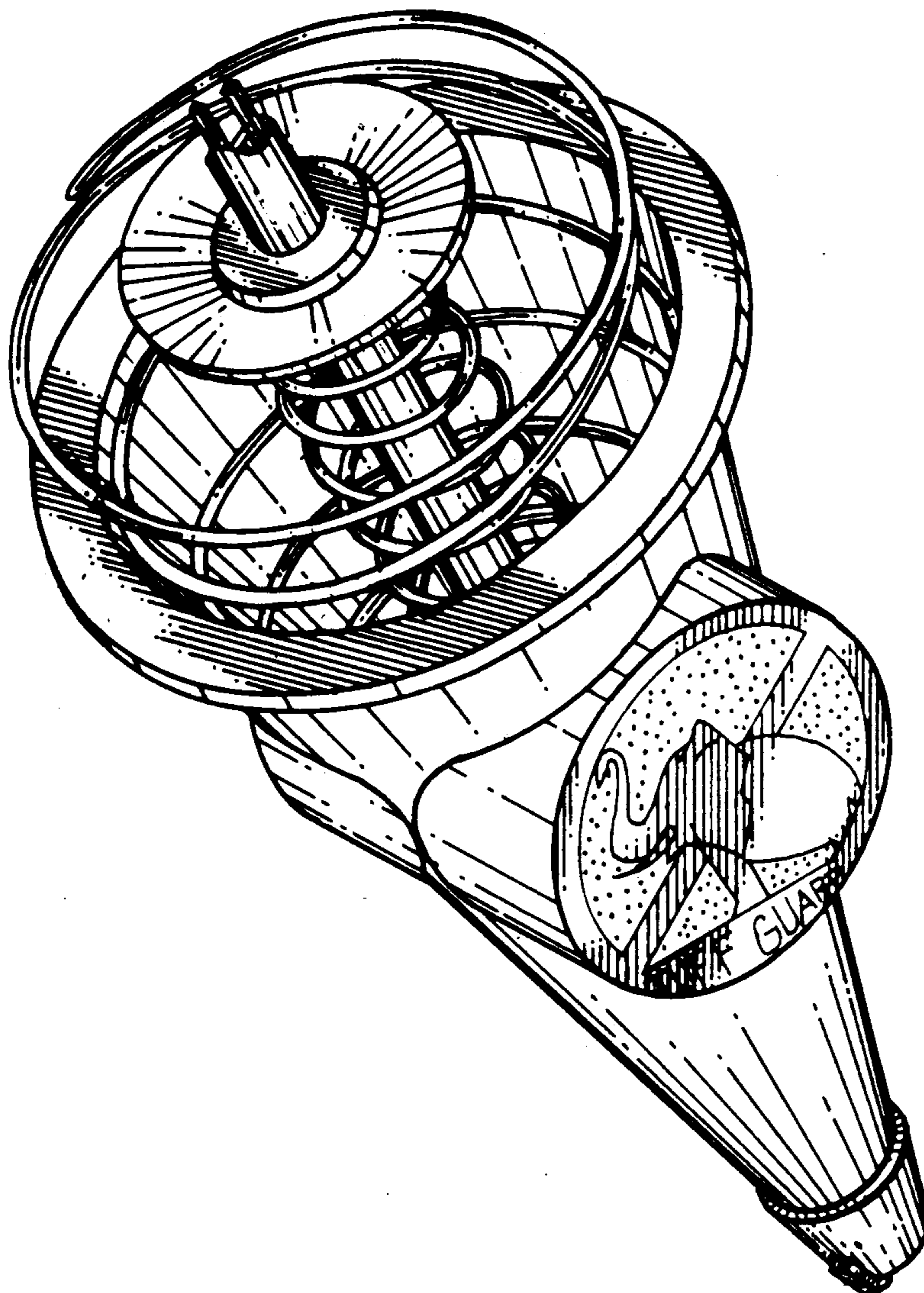


FIG. 1

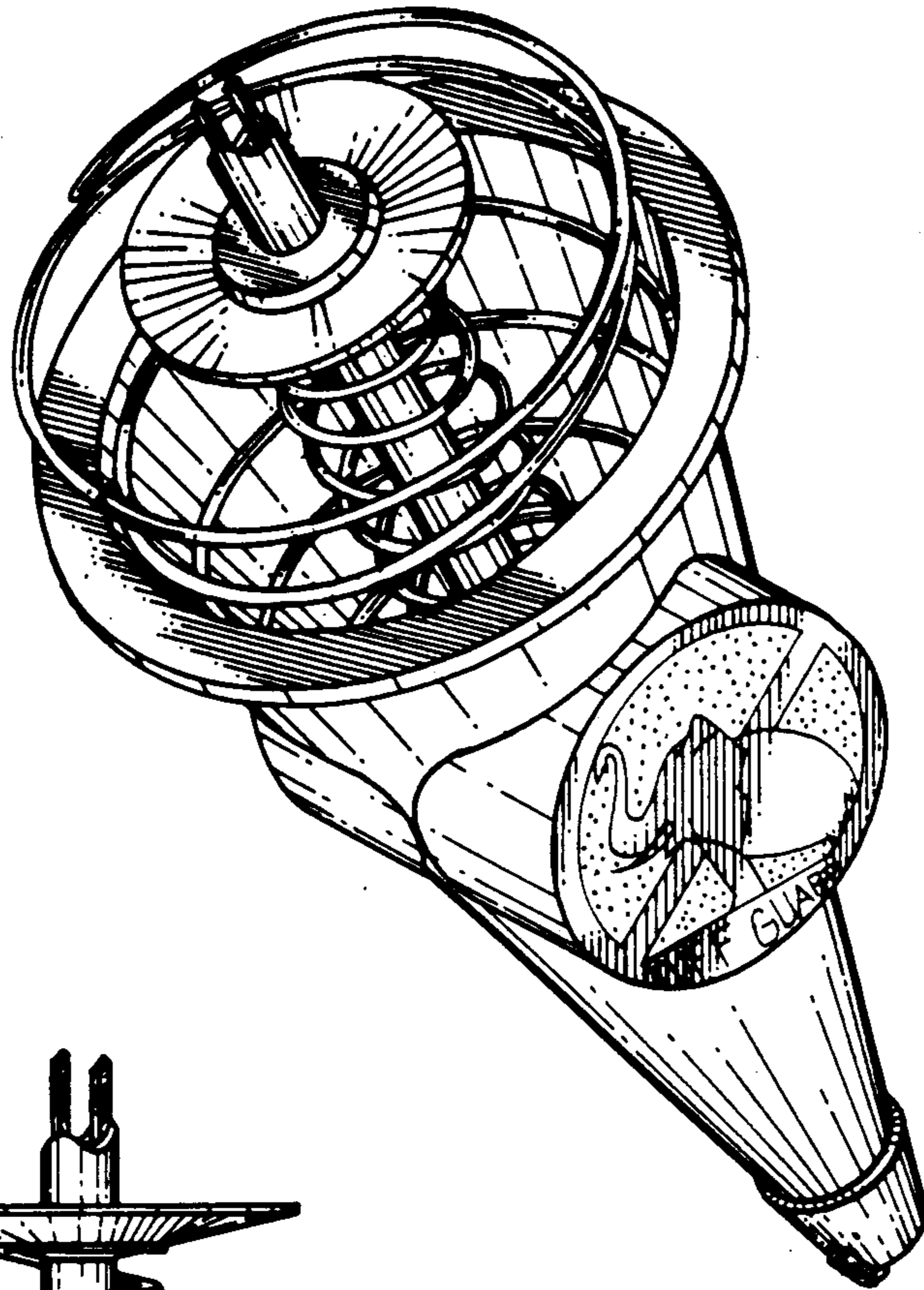


FIG. 2

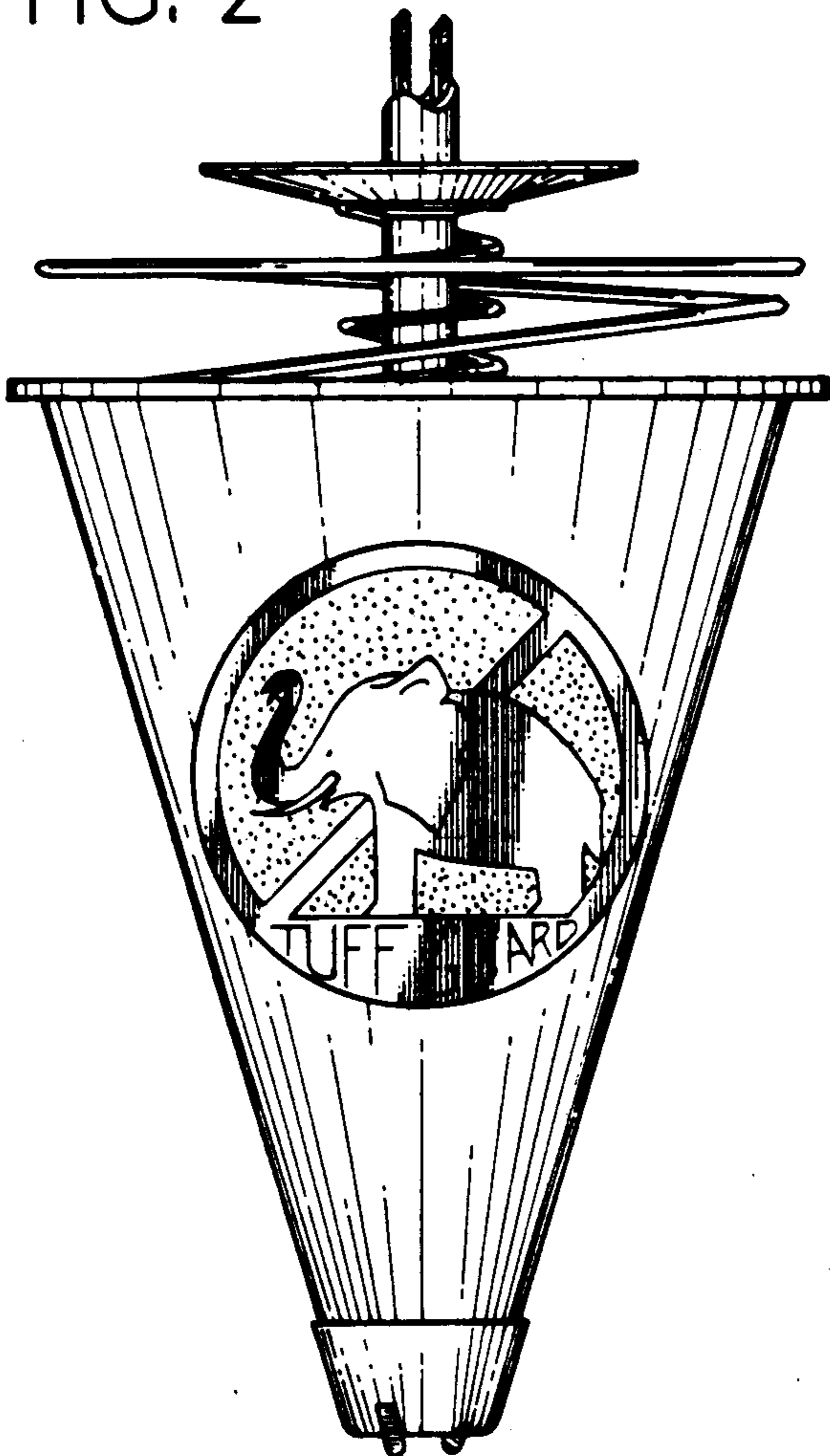


FIG. 3

