

[54] SIDERAIL FOR AN ARTICLE CARRIER

[75] Inventors: Jon D. Sparham, Pontiac; Alan D. Lusky, Warren; Ralph J. Mandarino, Grosse Pointe Farms; Thomas C. Nanney, Warren, all of Mich.

[73] Assignee: Hurrion/St. Clair Incorporated, Taylor, Mich.

[**] Term: 14 Years

[21] Appl. No.: 388,226

[22] Filed: Aug. 1, 1989

Related U.S. Application Data

[63] Continuation-in-part of Ser. No. 250,705, Sep. 28, 1988.

[52] U.S. Cl. D12/157

[58] Field of Search D12/157; 224/309, 321, 224/324-327

References Cited

U.S. PATENT DOCUMENTS

D. 260,631 9/1981 Kowalski D12/157

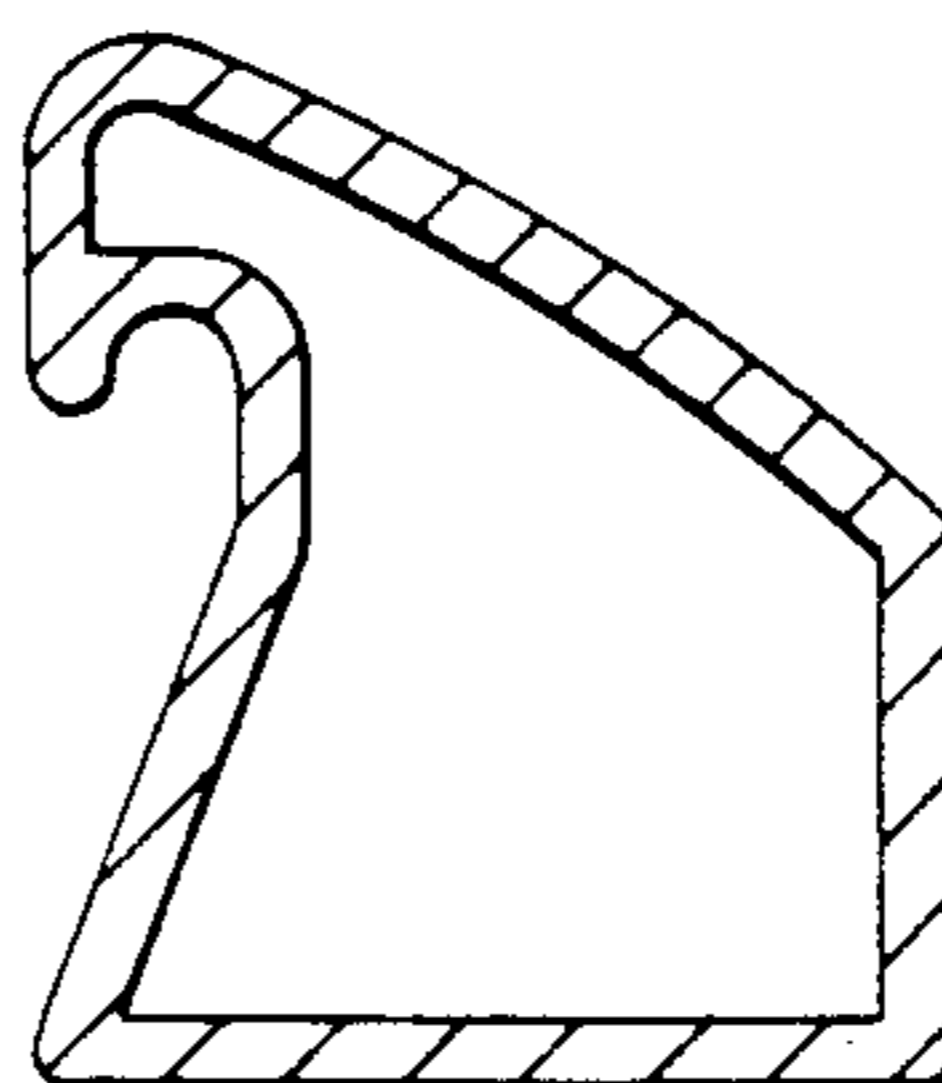
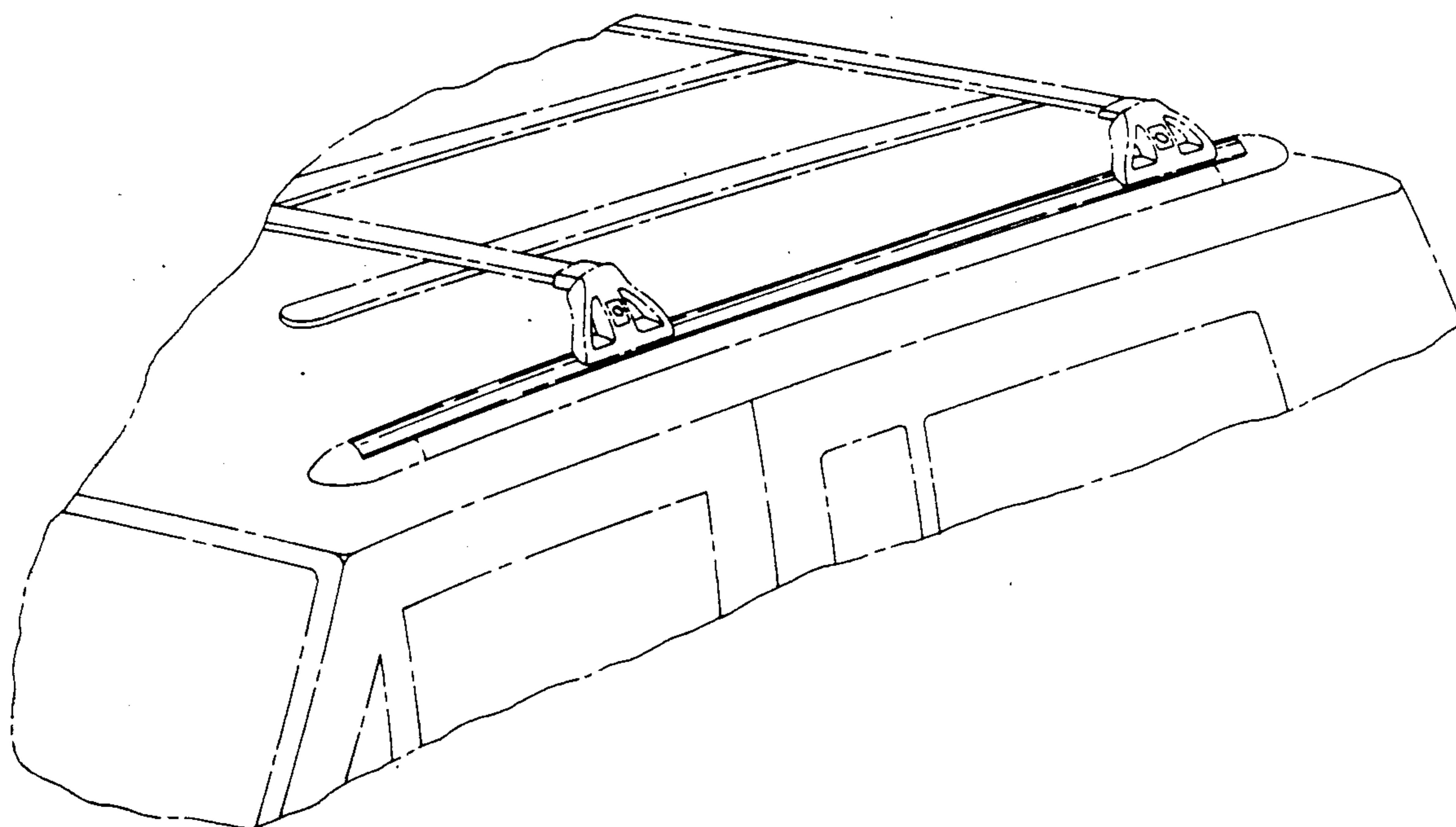
Primary Examiner—James M. Gandy
Attorney, Agent, or Firm—Leon E. Redman; Malcolm L. Sutherland; Edgar A. Zarins

[57] CLAIM

The ornamental design for a siderail for an article carrier, as shown and described.

DESCRIPTION

FIG. 1 is a perspective view of a siderail for an article carrier showing our new design; FIG. 2 is a top plan view thereof; FIG. 3 is a right side elevation view thereof; FIG. 4 is a left side elevation view thereof; FIG. 5 is an enlarged fragmentary right side elevation view of the end portion within the circle 5 in FIG. 3; FIG. 6 is an enlarged fragmentary left side elevation view of the end portion thereof within the circle 6 in FIG. 4; FIG. 7 is an enlarged cross sectional view thereof taken along the lines 7—7 of FIG. 3; and FIG. 8 is an enlarged cross sectional view thereof taken along the lines 8—8 of FIG. 4. The broken lines are for illustrative purposes only and form no part of the claimed design.



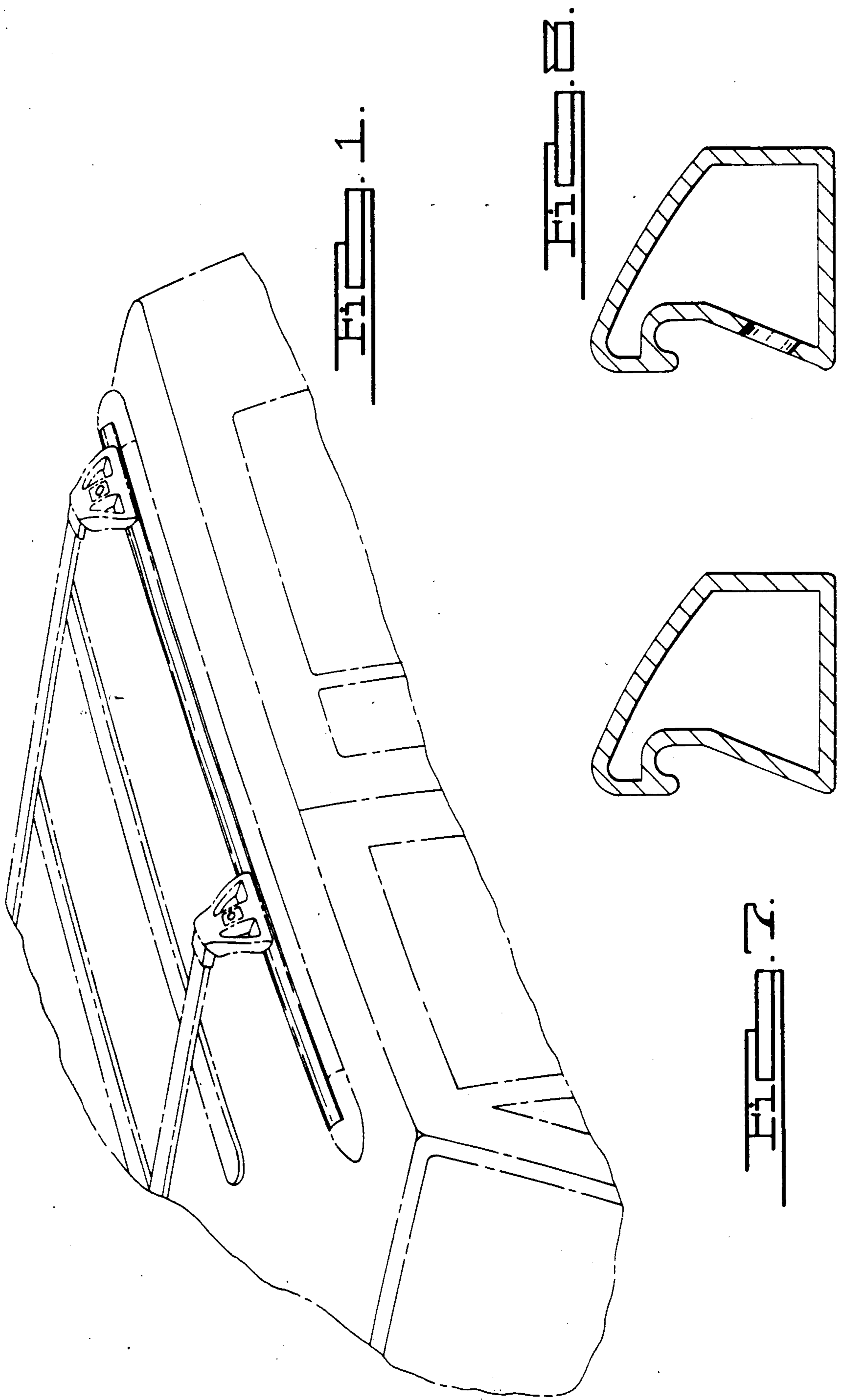




FIG. 1.

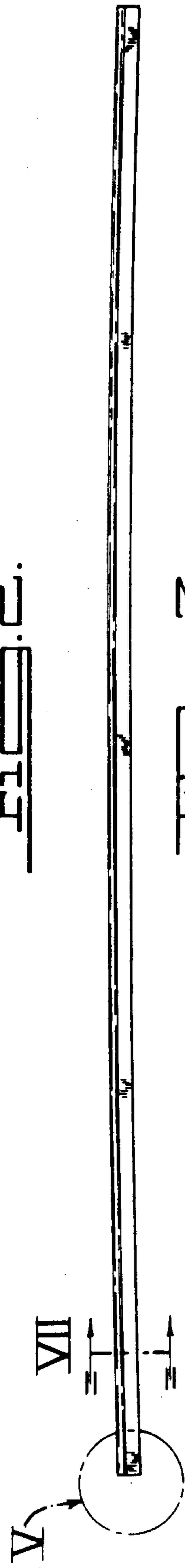


FIG. 2.

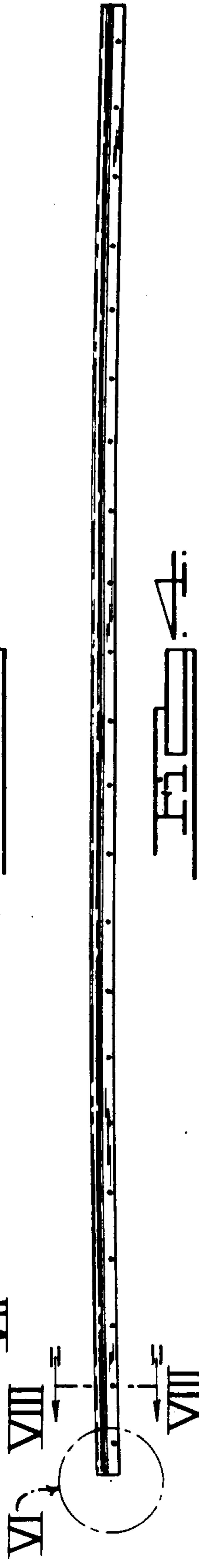


FIG. 3.

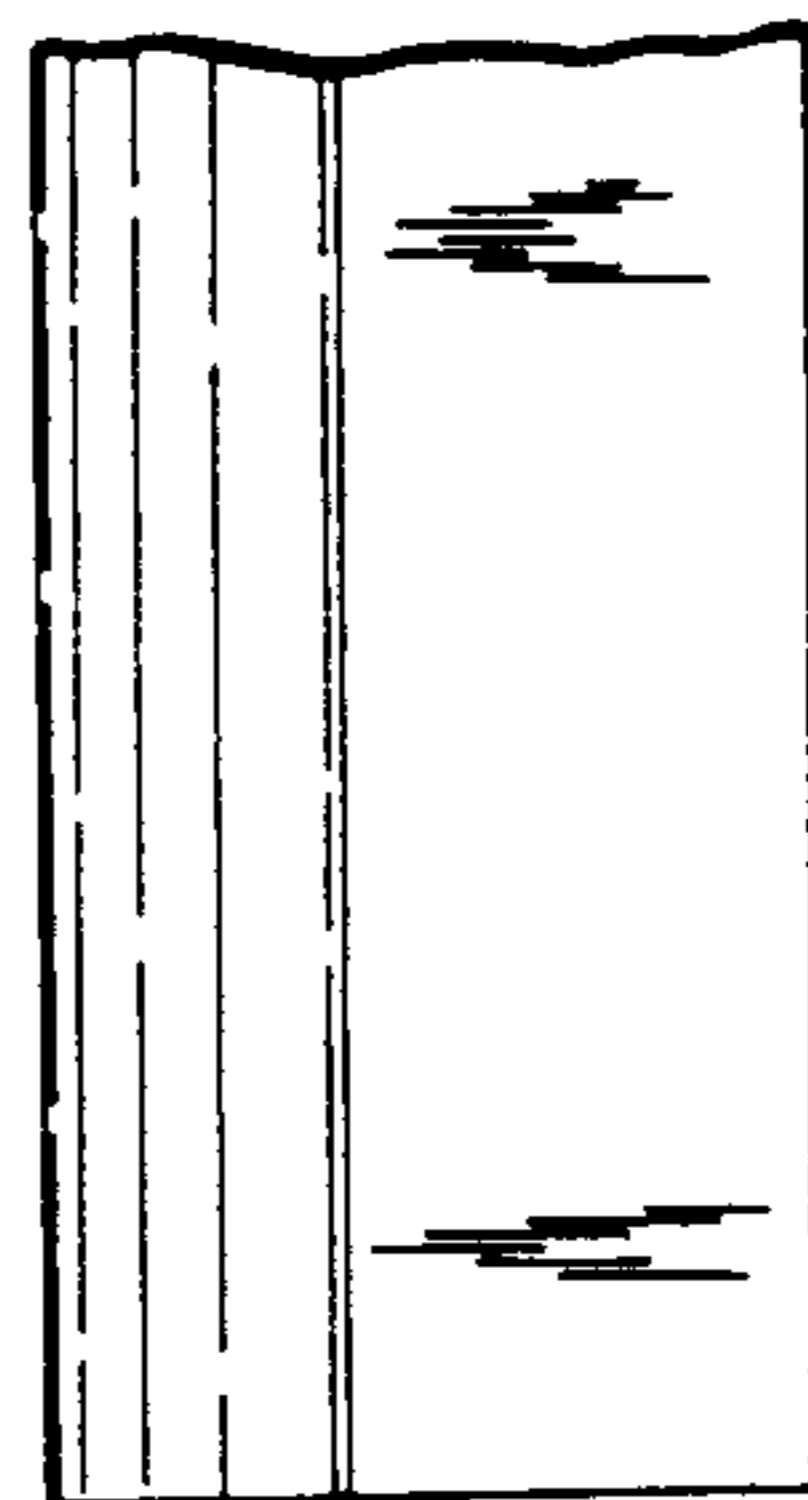


FIG. 4.

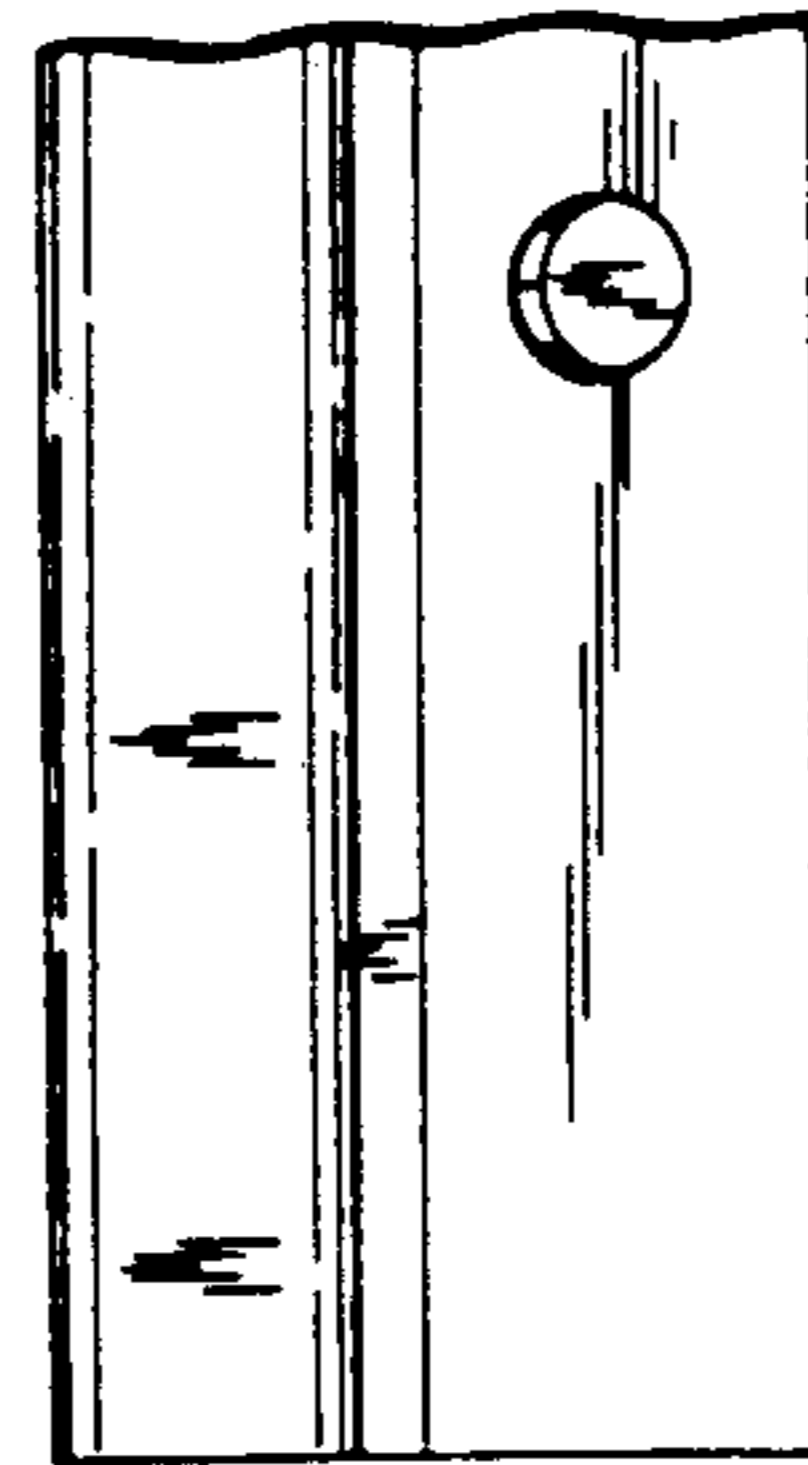


FIG. 5.