

[54] ATOMIZER NOZZLE

[75] Inventor: J. Frank Sorenson, Redlands, Calif.

[73] Assignee: Baumac International, Mentone, Calif.

[\*\*] Term: 14 Years

[21] Appl. No.: 302,208

[22] Filed: Jan. 25, 1989

[52] U.S. Cl. .... D9/448; D8/387; D8/397; D9/447

[58] Field of Search ..... D9/300, 301, 434, 435, D9/448, 307; D28/91.1; D8/387, 397; 222/631-633, 196.3, 212, 465.1, 466, 468-475.1, 499

[56] References Cited

U.S. PATENT DOCUMENTS

D. 161,855	2/1951	Metzler et al. ....	D9/300
D. 200,674	3/1965	Ahplanalp .....	D9/448
D. 207,357	4/1967	Parry .....	D28/91.1
D. 231,774	6/1974	McLaughlin .....	D9/448
D. 240,112	6/1976	O'Neil, Jr. ....	D9/300

D. 245,147	7/1977	Ono .....	D8/387
3,325,064	6/1967	Scheck .....	222/499
4,666,063	5/1987	Holoubeck et al. ....	215/250 X

OTHER PUBLICATIONS

The Horckow Collection Catalog; Jun.-Jul. 1975; p. 10; #B-Bolt Salt & Pepper Shakers.

Primary Examiner—B. J. Bullock

Assistant Examiner—Dominic Simone

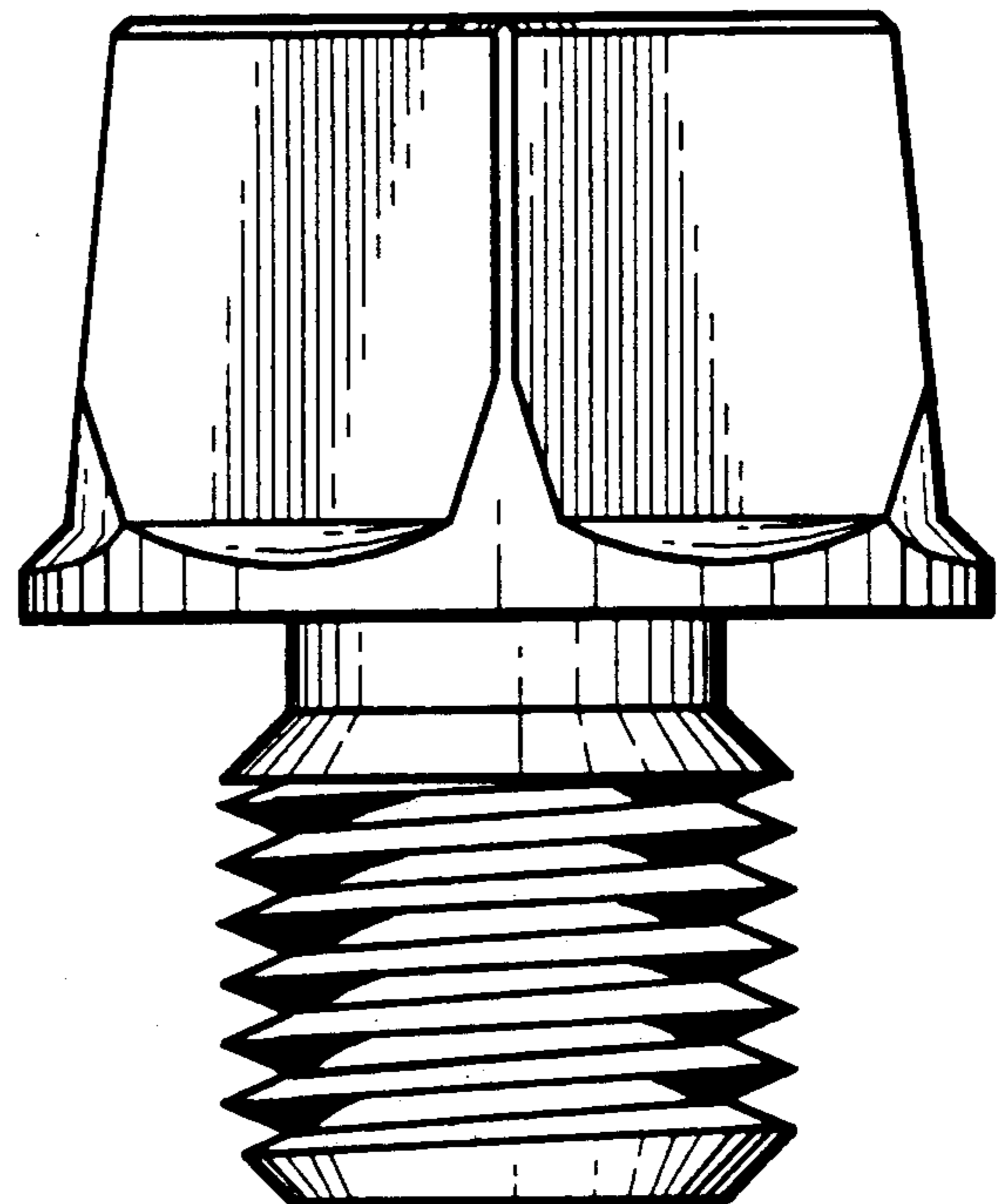
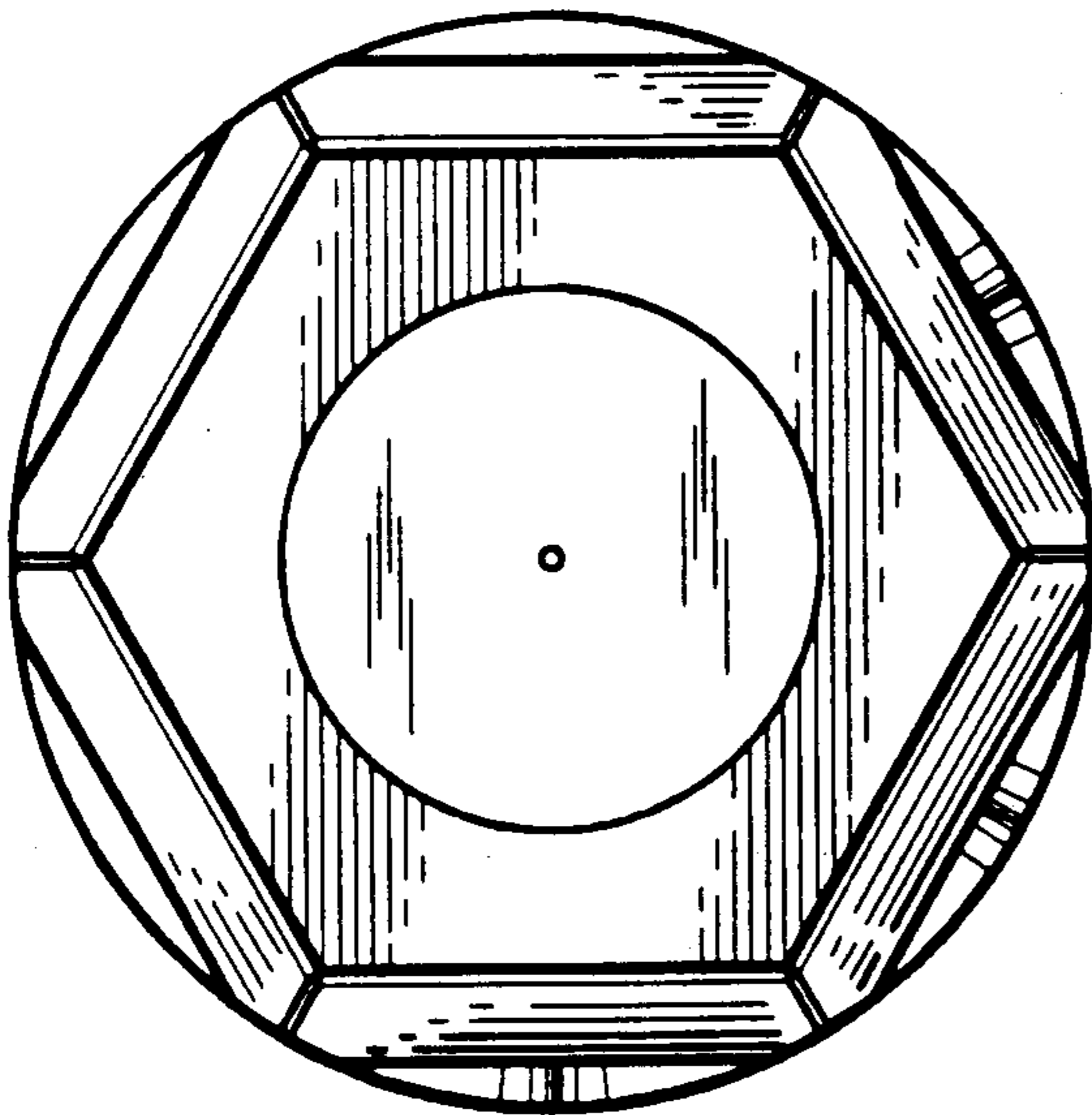
Attorney, Agent, or Firm—Knobbe, Martens Olson & Bear

[57] CLAIM

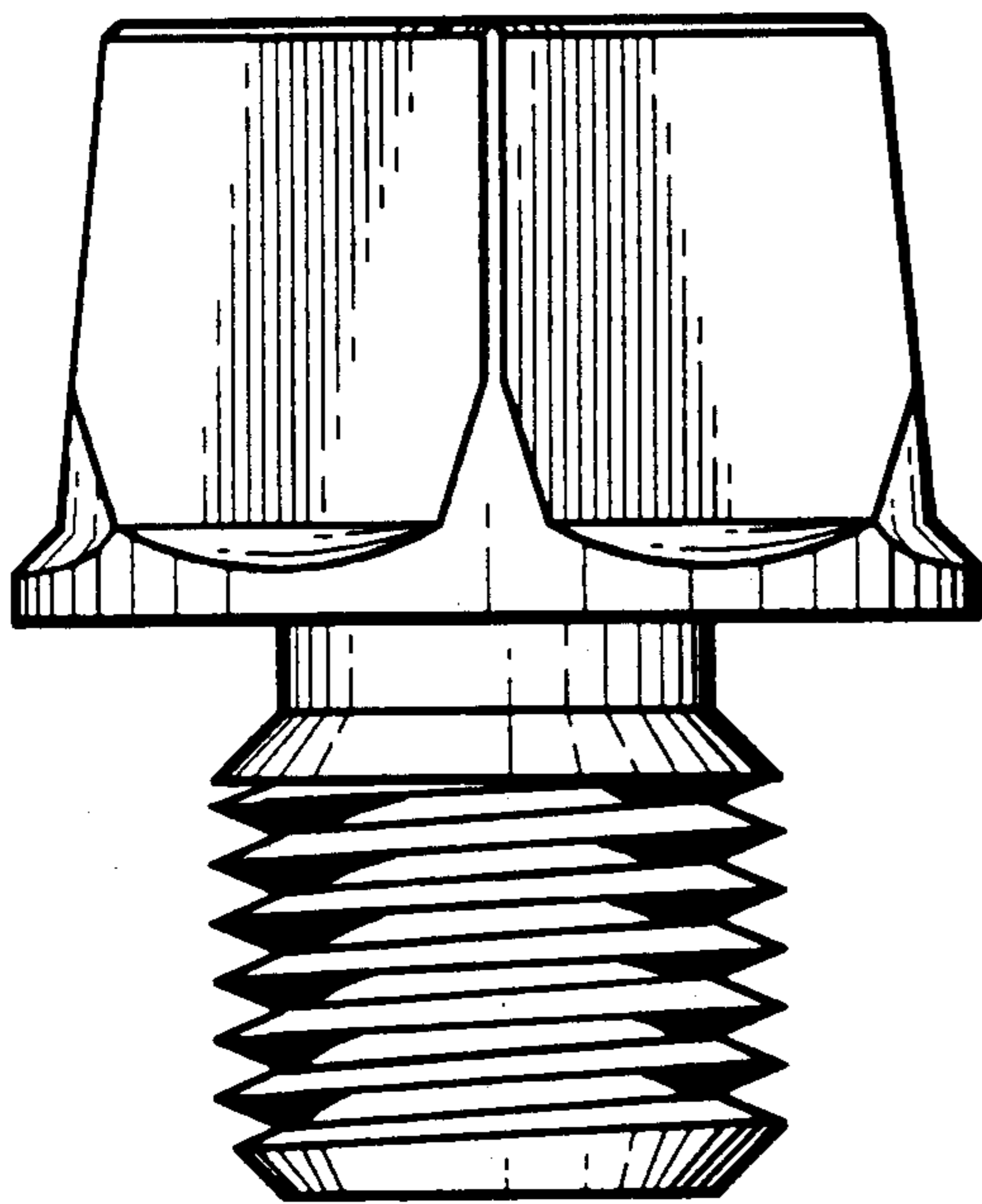
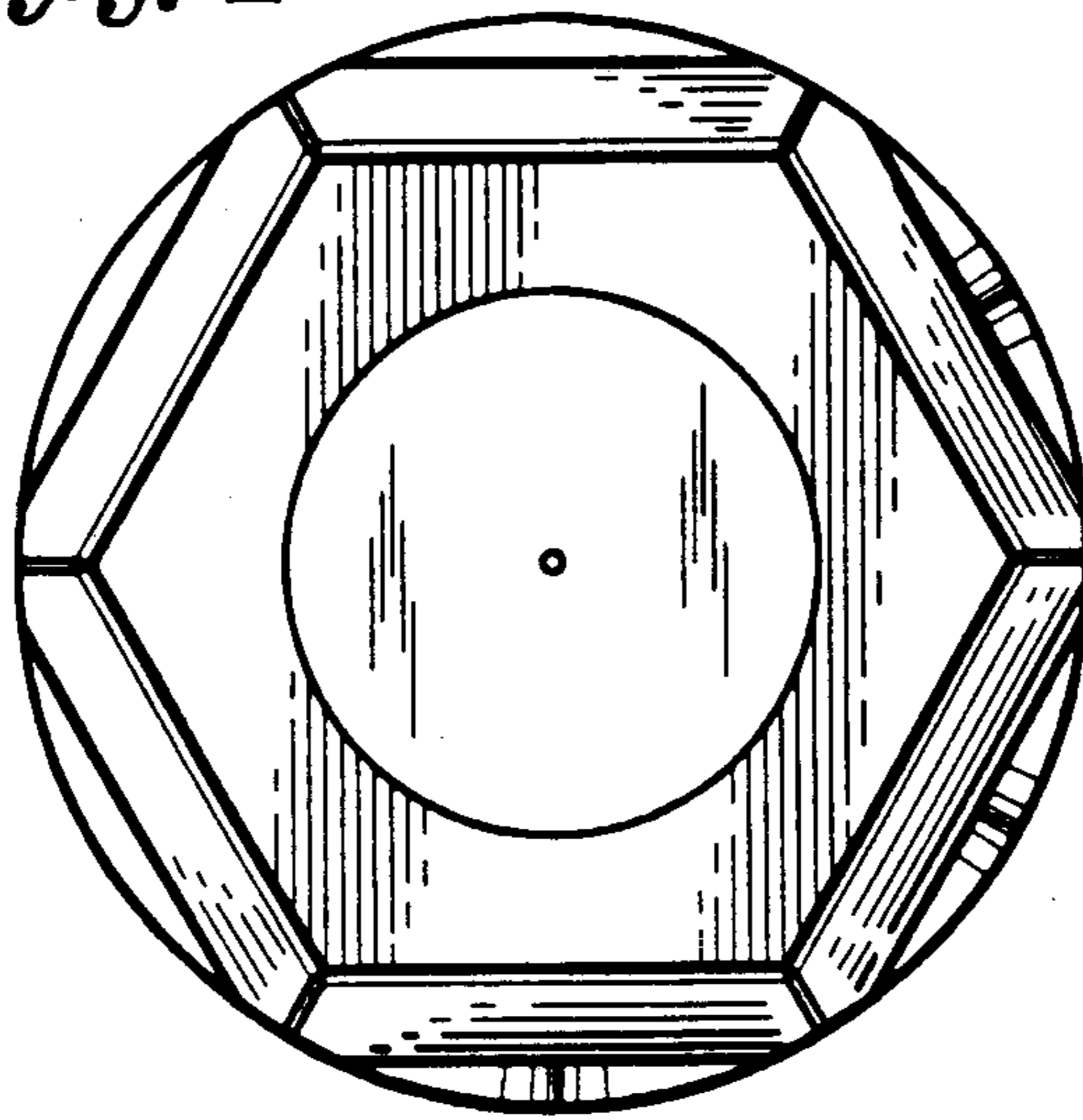
The ornamental design for atomizer nozzle, as shown and described.

DESCRIPTION

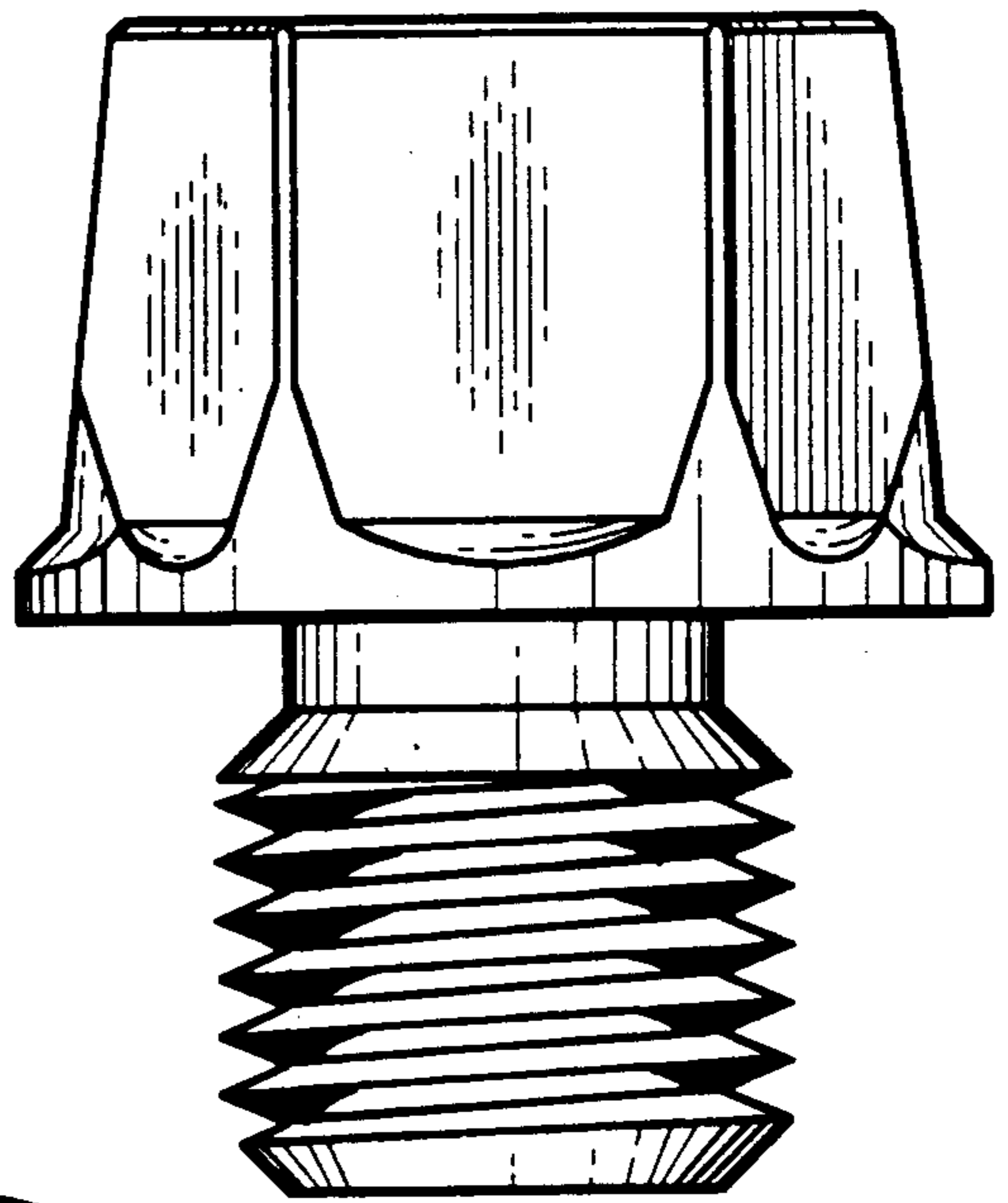
FIG. 1 is a top plan view of an atomizer nozzle showing my new design; FIG. 2 is a left side elevational view thereof, which is a mirror image of the right side; FIG. 3 is a front elevational view thereof which is a mirror image of the rear; and FIG. 4 is a bottom plan view thereof.



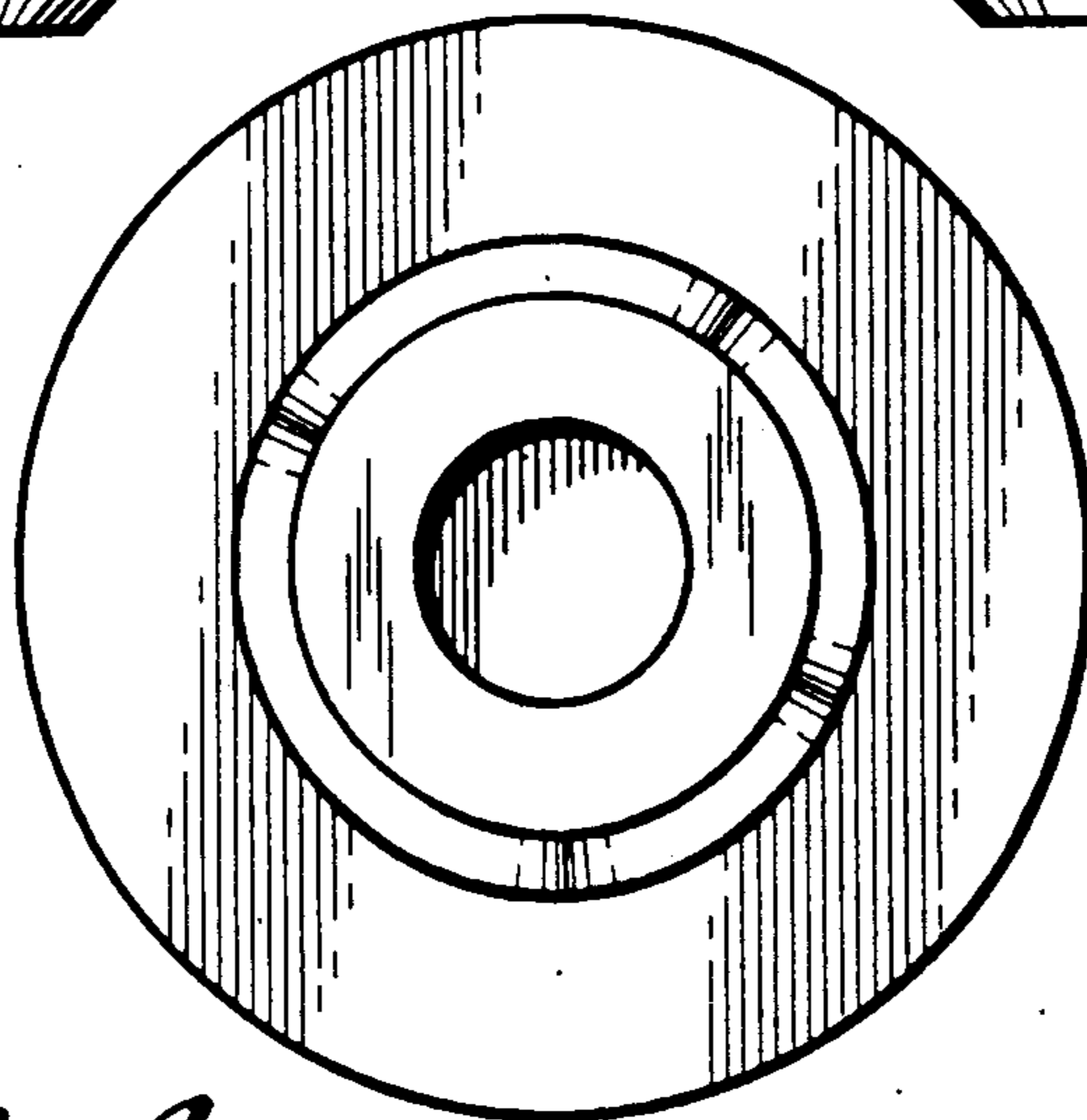
*Fig. 1*



*Fig. 2*



*Fig. 3*



*Fig. 4*