

[54] PACKAGING CONTAINER

[75] Inventor: Per Nylander, Jönköping, Sweden

[73] Assignee: Roby Teknik AB, Lund, Sweden

[**] Term: 14 Years

[21] Appl. No.: 618,101

[22] Filed: Nov. 26, 1990

Related U.S. Application Data

[62] Division of Ser. No. 143,614, Jan. 13, 1988.

[30] Foreign Application Priority Data

Jul. 13, 1987 [SE]	Sweden	871584
Jul. 13, 1987 [SE]	Sweden	871585
Jul. 13, 1987 [SE]	Sweden	871586
Jul. 13, 1987 [SE]	Sweden	871587
Jul. 13, 1987 [SE]	Sweden	871588
Jul. 13, 1987 [SE]	Sweden	871589
Jul. 13, 1987 [SE]	Sweden	871590
Jul. 13, 1987 [SE]	Sweden	871591
Jul. 13, 1987 [SE]	Sweden	871592
Jul. 13, 1987 [SE]	Sweden	871593

[52] U.S. Cl. D9/417; D7/317; D7/319; D9/376

[58] Field of Search D9/417, 414, 416, 376, D9/378, 380-383, 374, 401, 420, 423, 430-433, 446, 443, 435, 447; D7/316-322, 622; 229/117.23, DIG. 6, 125.11, 125.09, 106; 215/100 A; 220/94 R; 222/465.1, 210, 212, 556

[56] References Cited

U.S. PATENT DOCUMENTS

D. 167,214	7/1952	Lapin	D7/622
D. 173,198	10/1954	Glauber	D7/622
D. 182,215	2/1958	Wilson	D7/622
D. 199,814	12/1964	Mojonnier	D9/376
4,449,647	5/1984	Reed et al.	220/94 R X
4,718,598	1/1988	Pupp et al.	229/117.23
4,804,134	2/1989	Reil	229/125.11

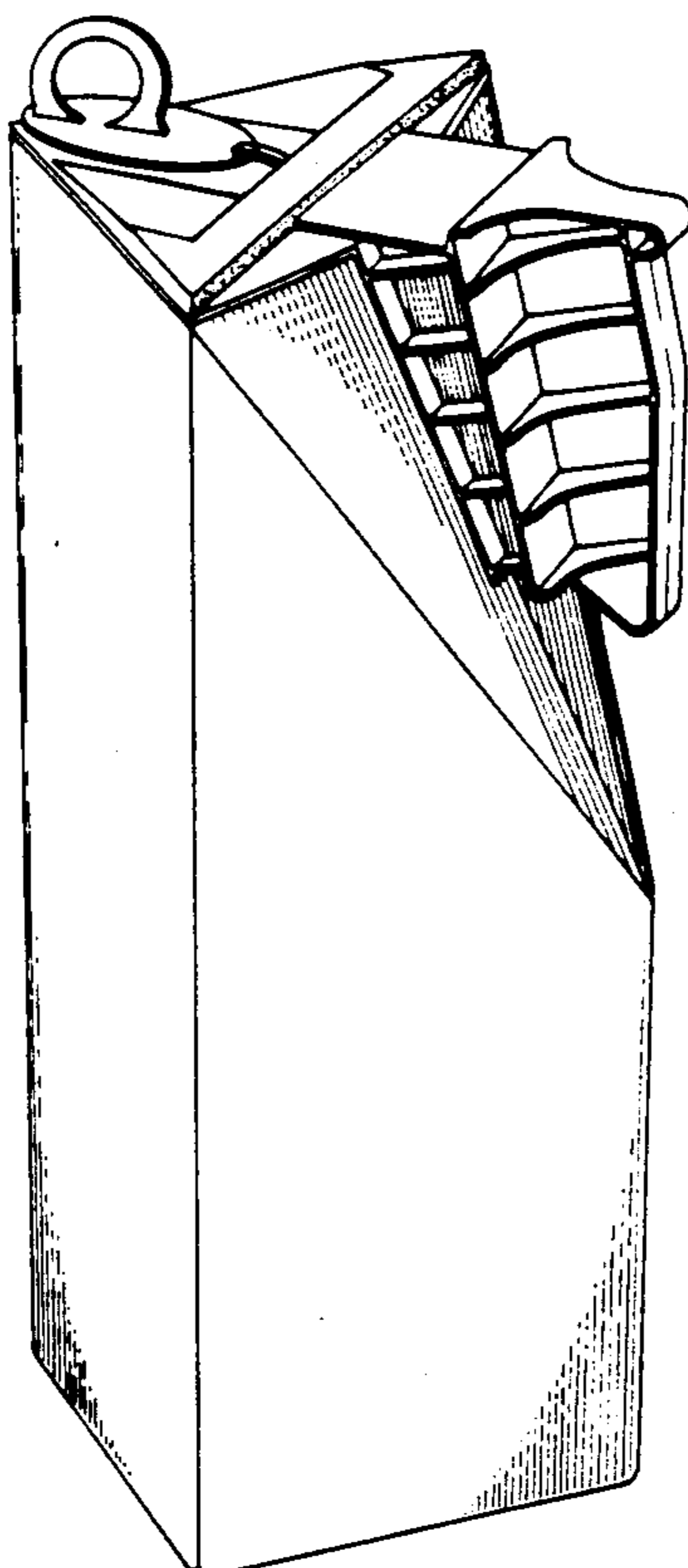
Primary Examiner—Bernard Ansher
Assistant Examiner—Lucy Lieberman
Attorney, Agent, or Firm—Burns, Doane, Swecker & Mathis

[57] CLAIM

The ornamental design for a packaging container, as shown and described.

DESCRIPTION

FIG. 1 is a right side view of a packaging container showing my new design, the left side being a mirror image;
FIG. 2 is a top, right side perspective view thereof;
FIG. 3 is a top plan view thereof;
FIG. 4 is a bottom front perspective view thereof; and
FIG. 5 is a bottom rear perspective view thereof.



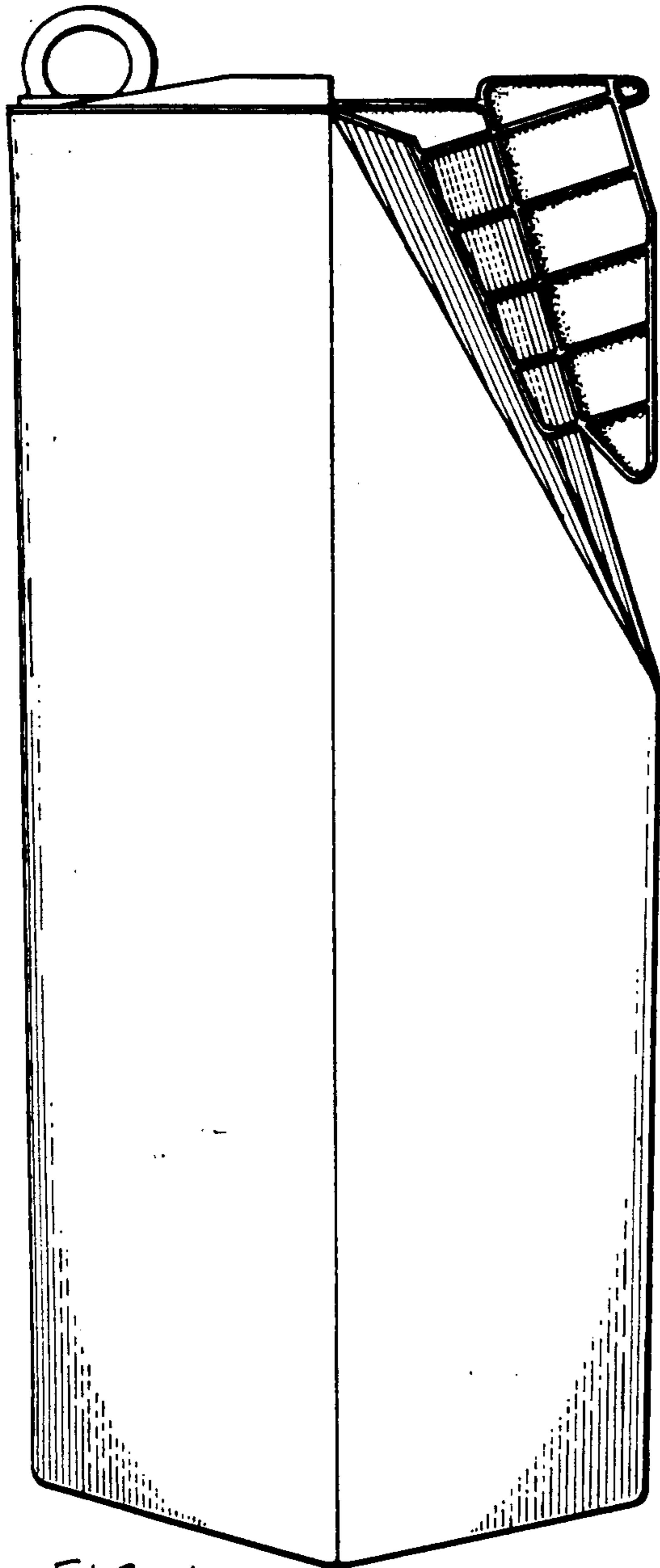


FIG. 1

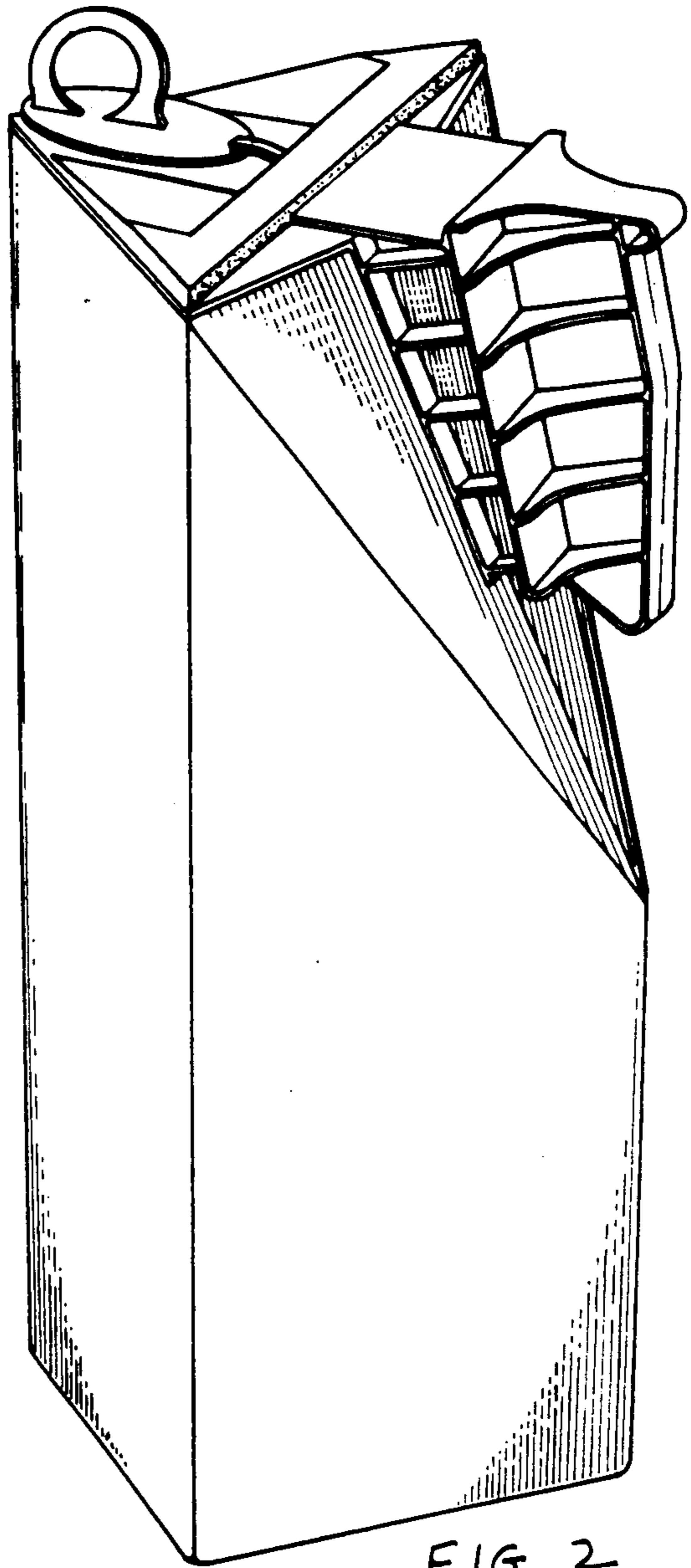


FIG. 2

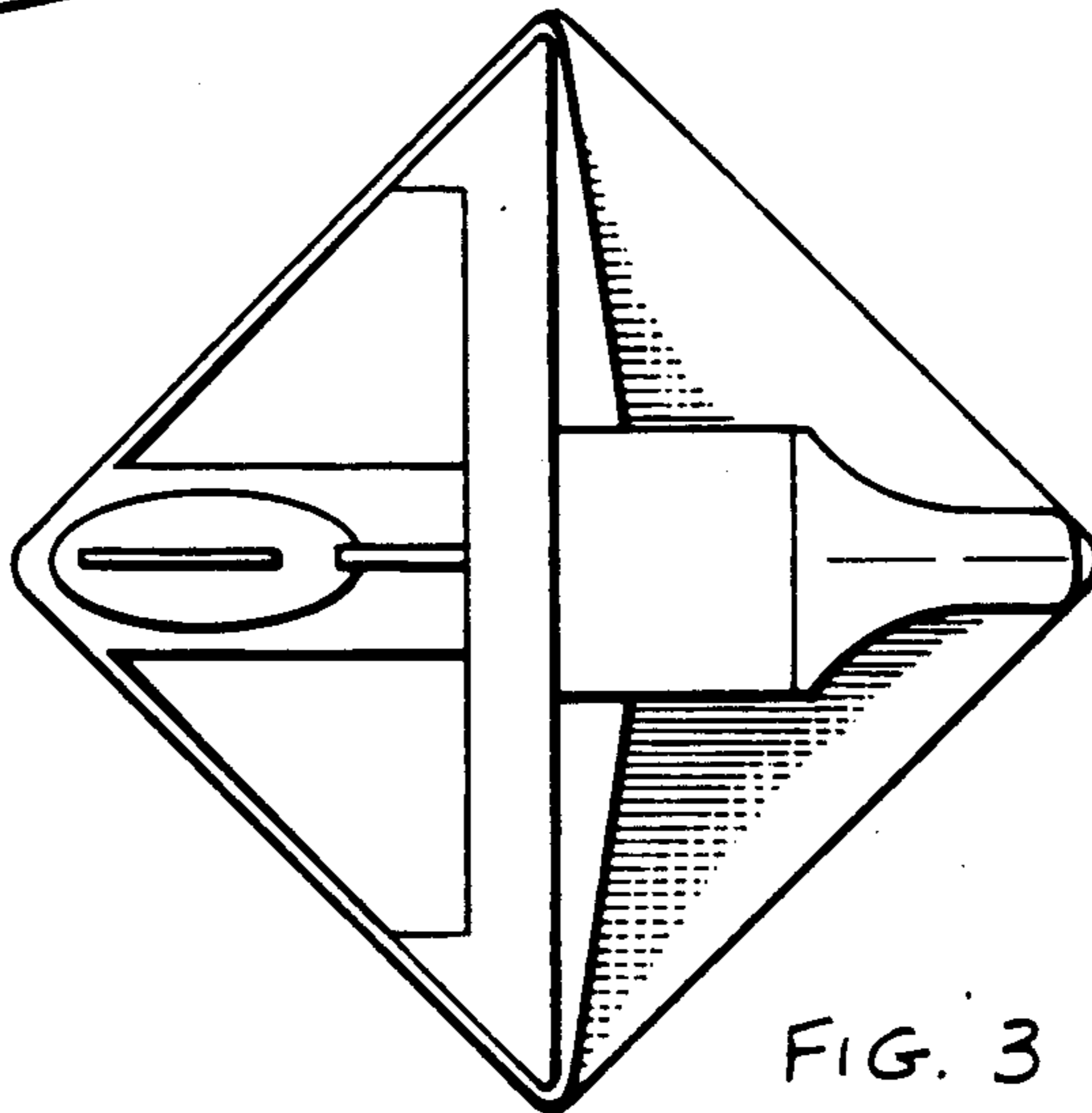


FIG. 3

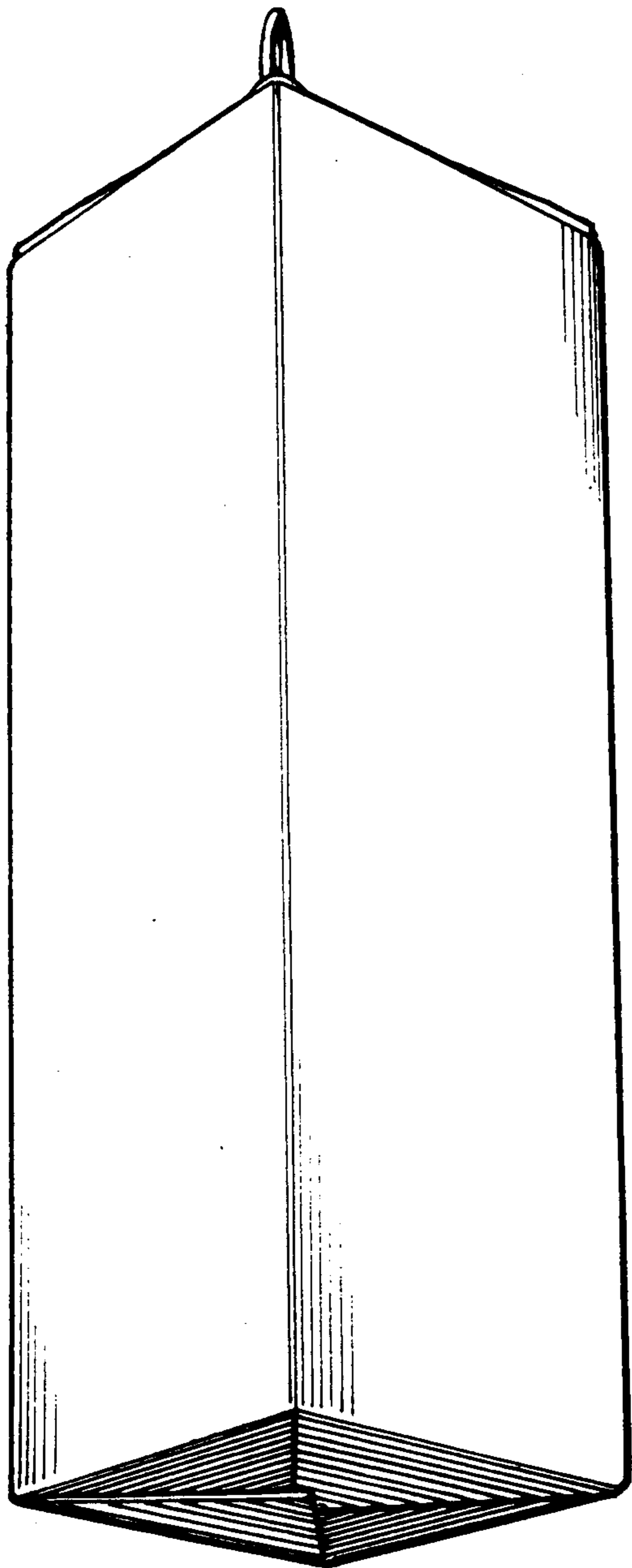


FIG. 4

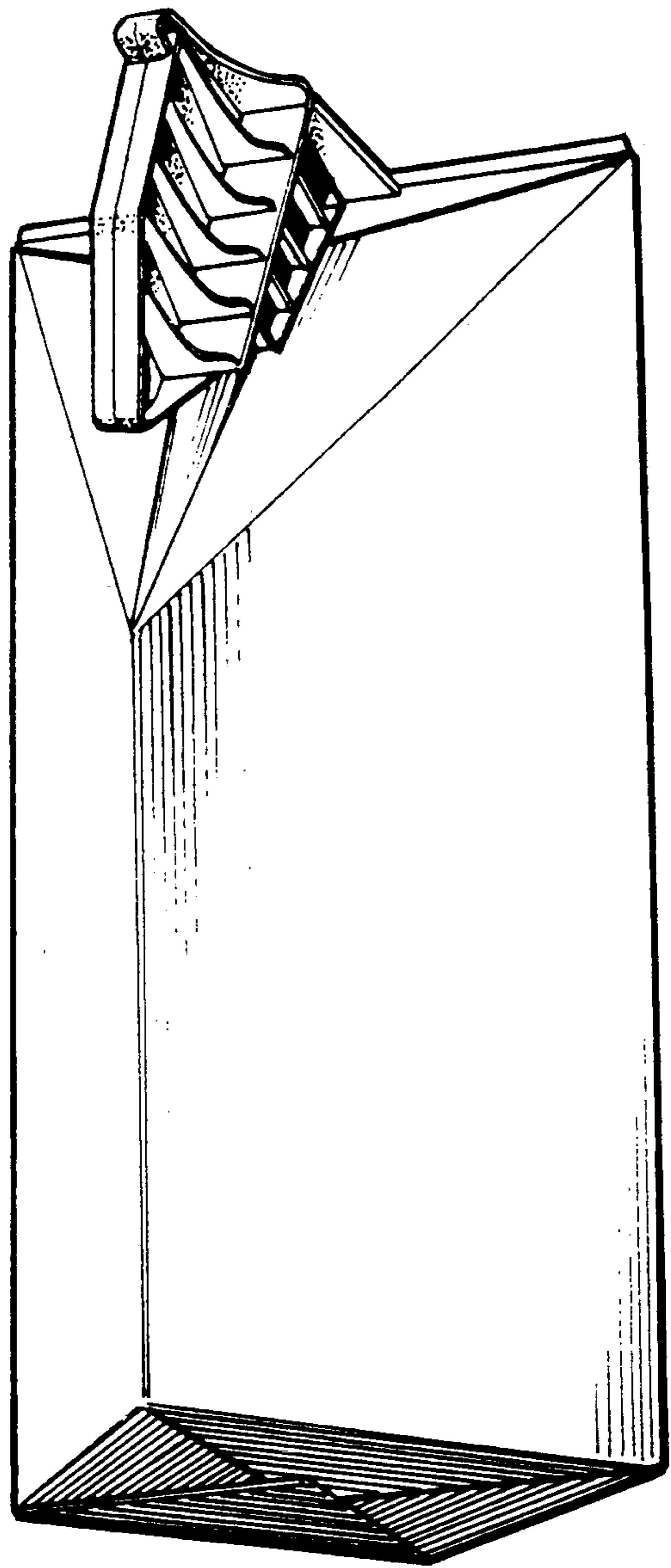


FIG. 5