

[54] SHIPPING AND DISPLAY PACKAGE FOR BEVERAGEWARE

3,217,874	11/1965	Potter	.....	D9/345	X
3,498,523	3/1970	Stembridge et al.	.....	206/203	X
3,557,947	1/1971	Greenwell	.....	D9/345	X
3,863,837	2/1975	Spiegel et al.	.....	206/806	X

[75] Inventor: Frederic L. Contino, Lancaster, Ohio

[73] Assignee: Newell Co., Freeport, Ill.

[\*\*] Term: 14 Years

Primary Examiner—Bernard Ansher  
Assistant Examiner—Prabhakar Deshmukh  
Attorney, Agent, or Firm—James G. Staples

[21] Appl. No.: 395,945

[57] CLAIM

[22] Filed: Aug. 18, 1989

The ornamental design for a shipping and display package for beverageware, as shown.

[52] U.S. Cl. .... D9/415

[58] Field of Search ..... D9/415, 341, 345, 346, D9/347; 206/461, 463, 466, 470, 471, 806, 139, 144, 170, 193, 198; 220/23.83, 806

DESCRIPTION

FIG. 1 is a perspective view of a shipping and display package for beverageware showing my new design; FIG. 2 is a front elevation thereof; FIG. 3 is a top plan view thereof; FIG. 4 is a right side elevation thereof; the left side elevation being a mirror image thereof; FIG. 5 is a right side elevation thereof; in unassembled position; and FIG. 6 is a top plan view of FIG. 5.

[56] References Cited

U.S. PATENT DOCUMENTS

D. 204,819	5/1966	Fulchiron	.....	D9/345
D. 228,580	11/1971	Nakakuma	.....	D9/345
D. 305,729	1/1990	Bridel	.....	D9/341
D. 306,139	2/1990	Bridel	.....	D9/341

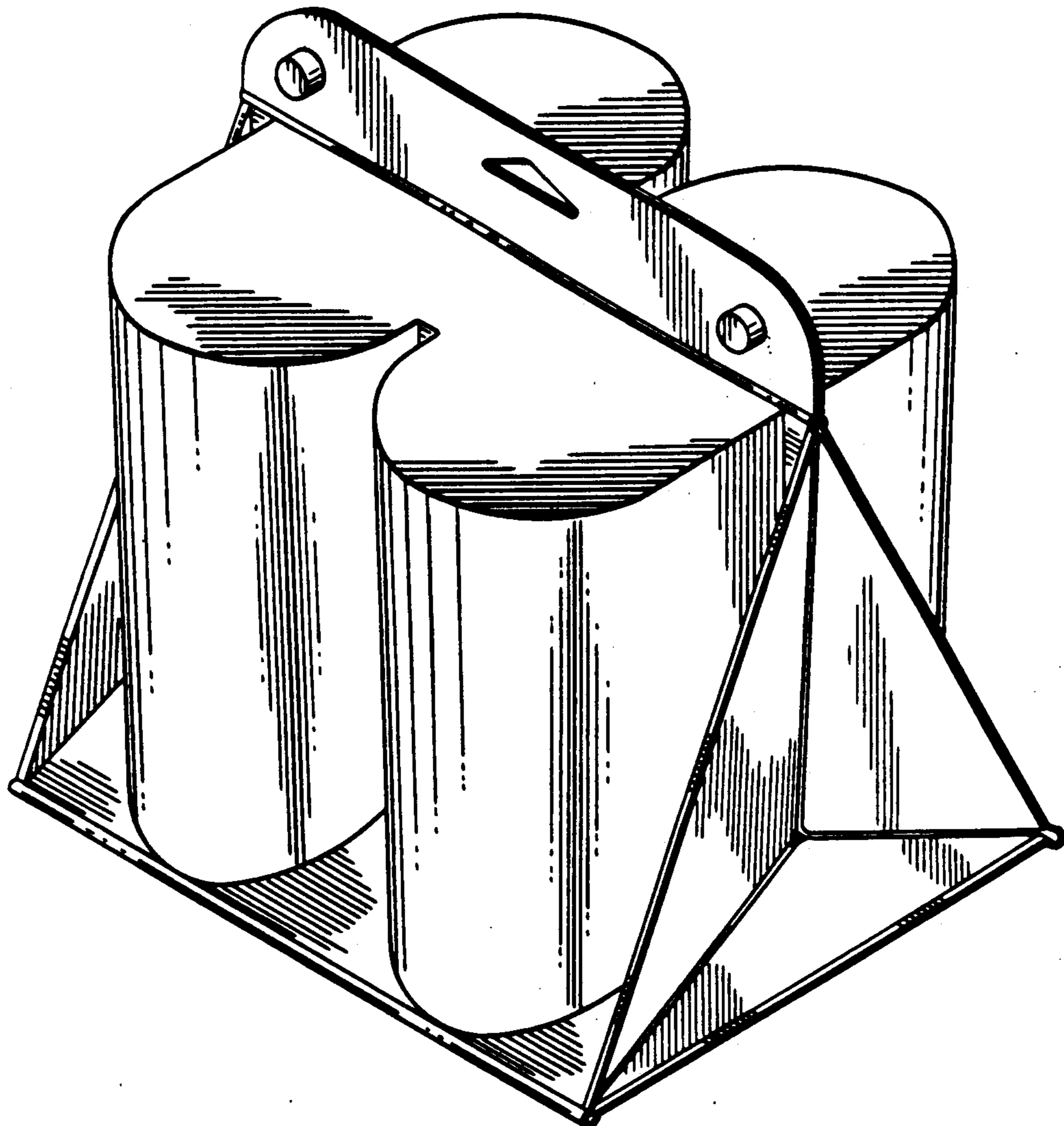


FIG. 1.

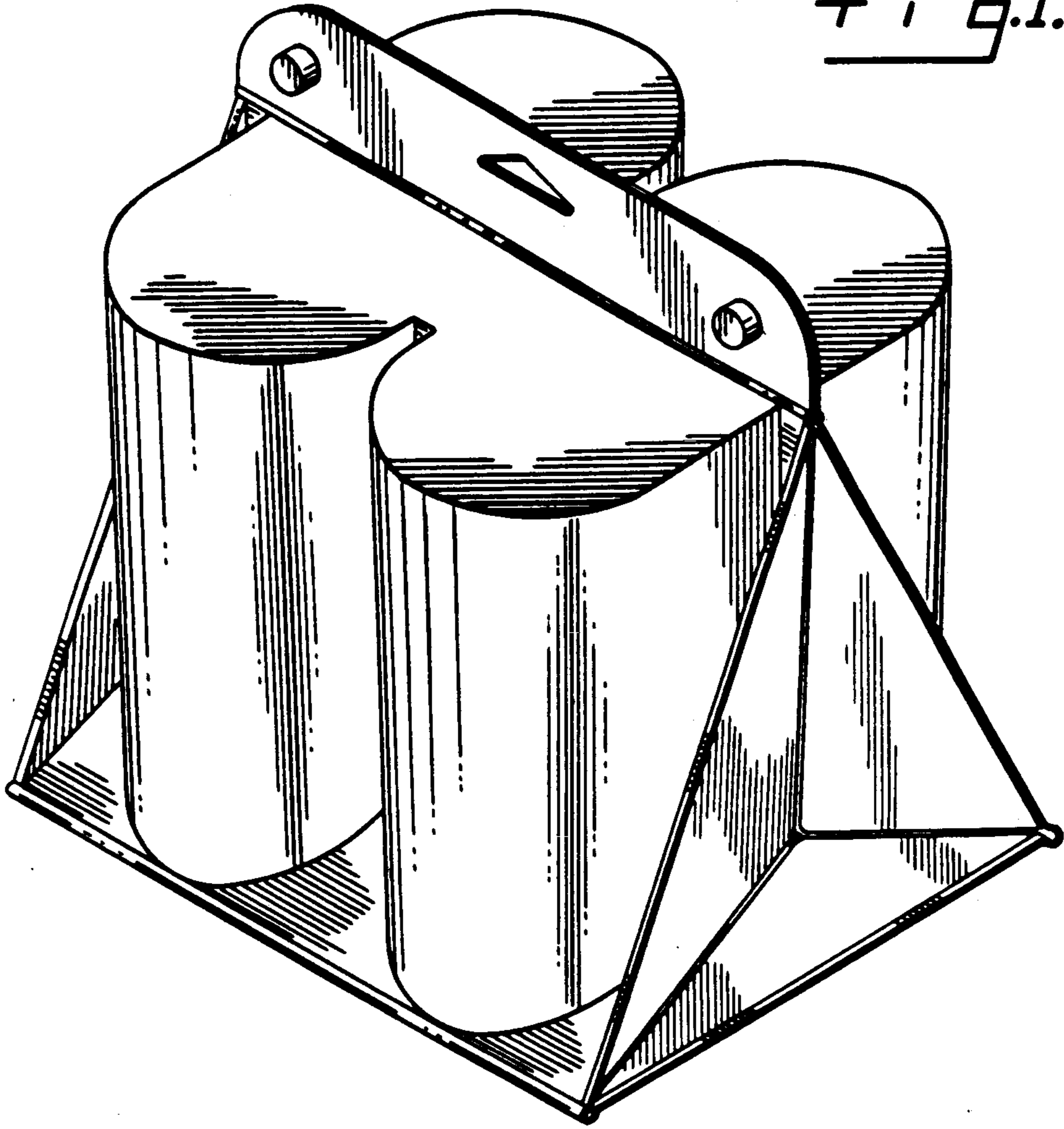
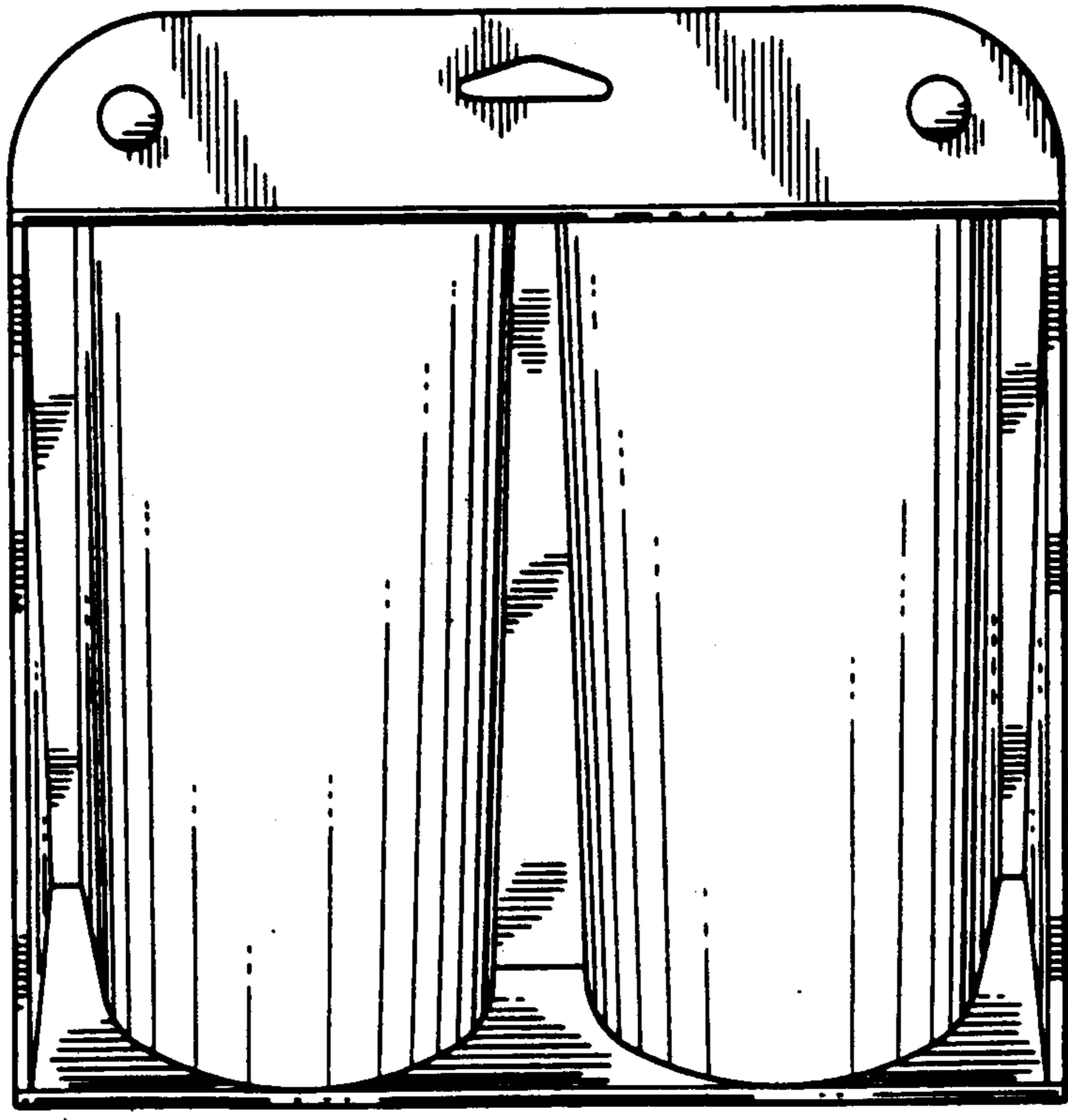


FIG. 2.



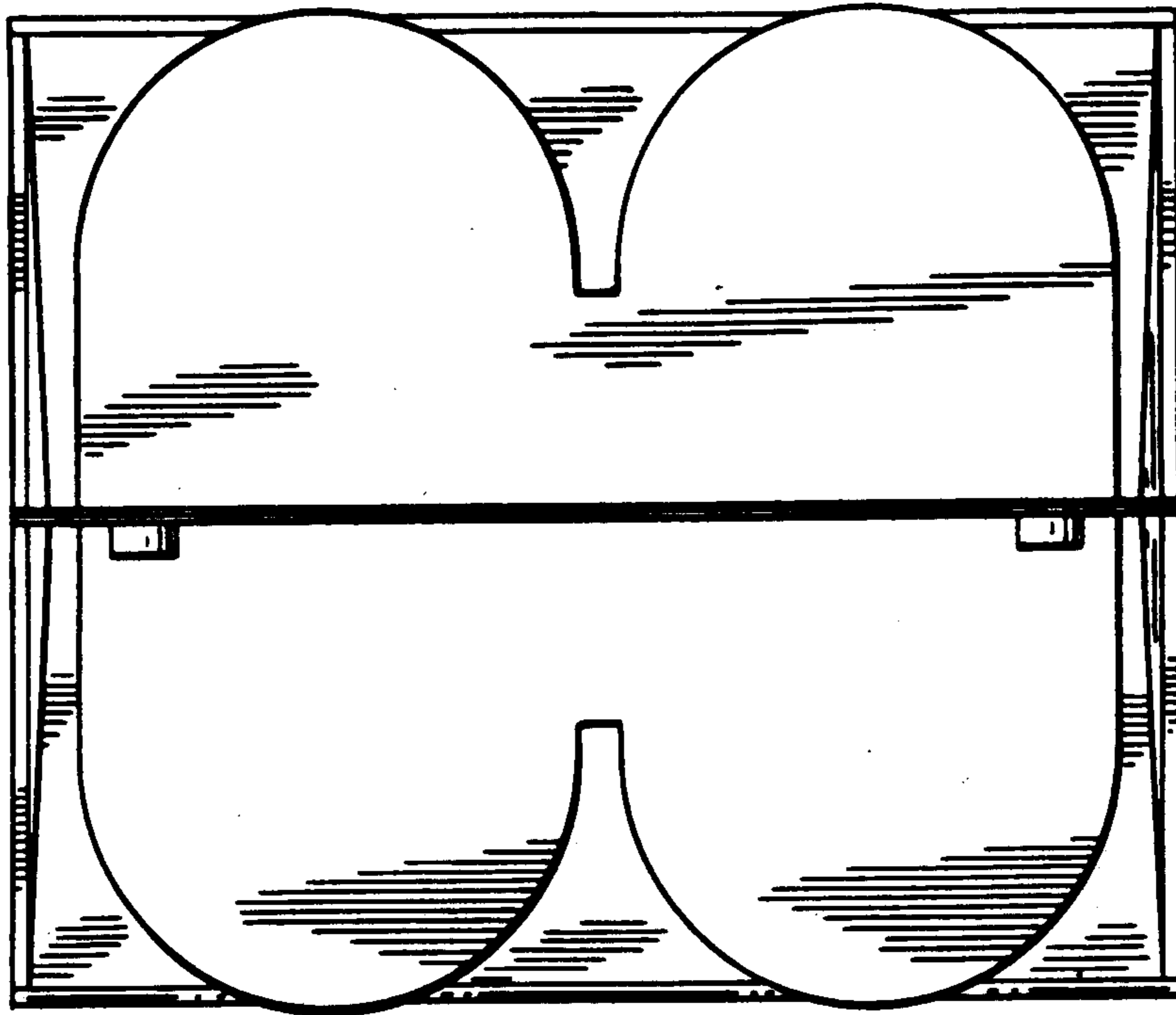


FIG. 3.

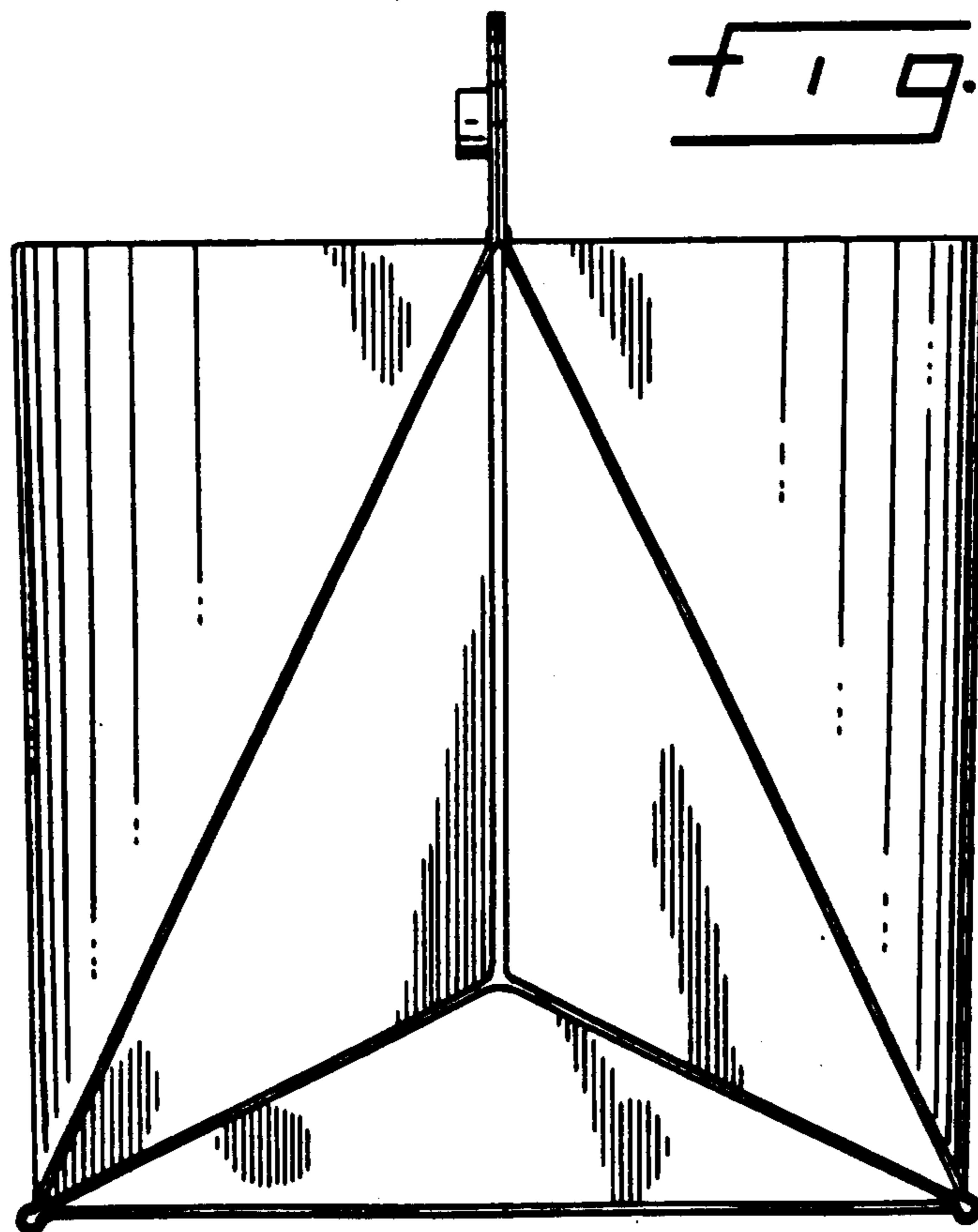


FIG. 4.

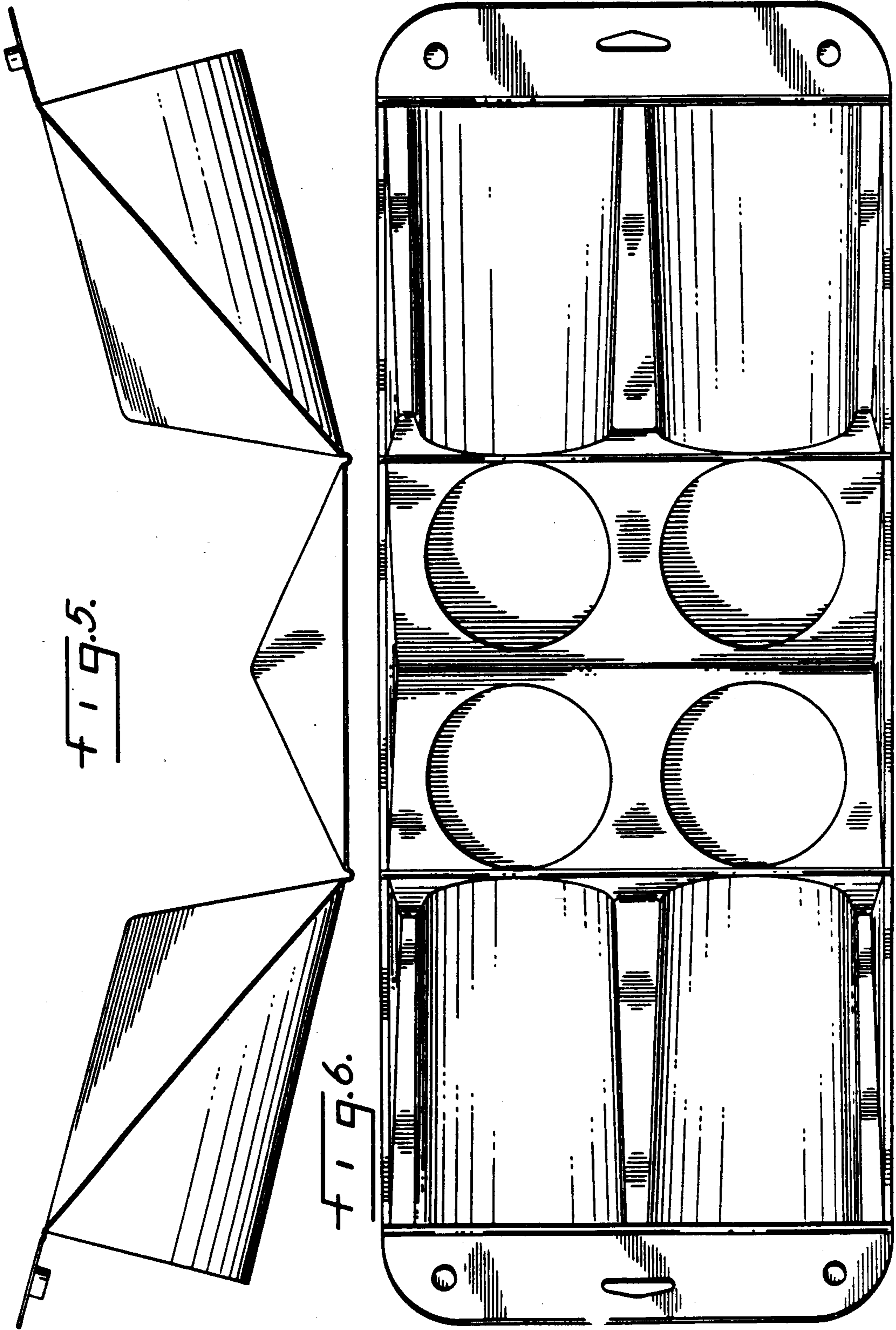


FIG. 5.

FIG. 6.