

[54] PLIER STAPLER

[75] Inventors: Anthony A. Mayo, Bethpage, N.Y.; William S. Carvell, Mt. Prospect, Ill.

[73] Assignee: Swingline Inc., Long Island City, N.Y.

[**] Term: 14 Years

[21] Appl. No.: 307,857

[22] Filed: Feb. 8, 1989

[52] U.S. Cl. D8/50

[58] Field of Search D8/49, 50; 227/107, 227/110, 120, 126-128, 132

[56] References Cited

U.S. PATENT DOCUMENTS

3,951,325 4/1976 Mitsuhashi D8/50

OTHER PUBLICATIONS

U.S. Gov't Office & Furnishing Supply Catalog, '81, p. 305, Stapler 99PL & 49 P/C.

U.S. Gov't Office & Furnishing Supply Catalog, '81, p. 306, Stapler 88P-BK, 88P-RE & 88P-GY.

Primary Examiner—Terry A. Pfeffer
Attorney, Agent, or Firm—Pennie & Edmonds

[57] CLAIM

The ornamental design for a plier stapler, as shown and described.

DESCRIPTION

FIG. 1 is a perspective view of a plier stapler showing our new design;

FIG. 2 is a left side elevational view thereof;

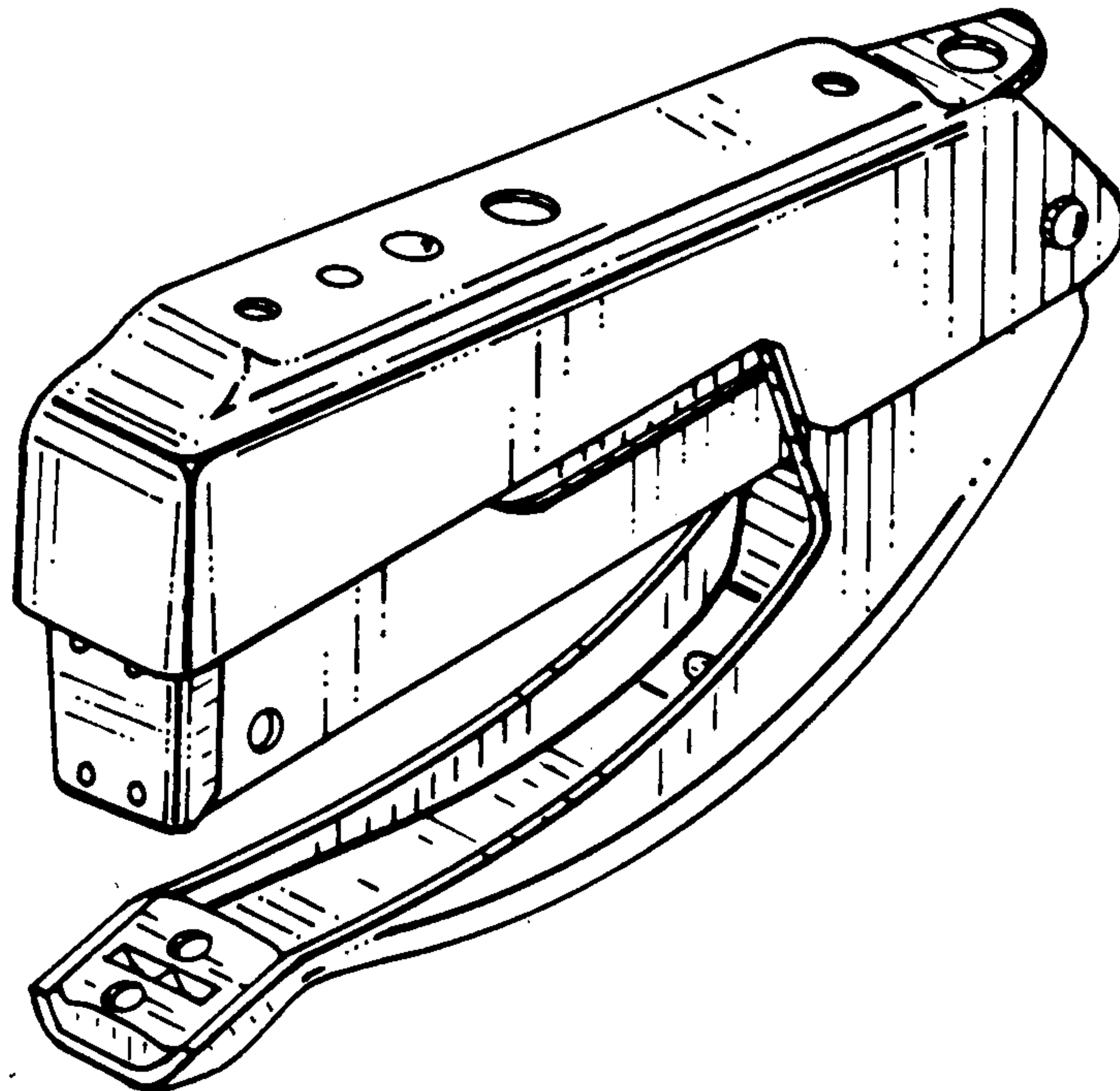
FIG. 3 is the right side elevational view thereof;

FIG. 4 is a top plan view of the stapler;

FIG. 5 is a plan bottom view thereof;

FIG. 6 is a front elevational front view thereof; and

FIG. 7 is a rear elevational rear view thereof.



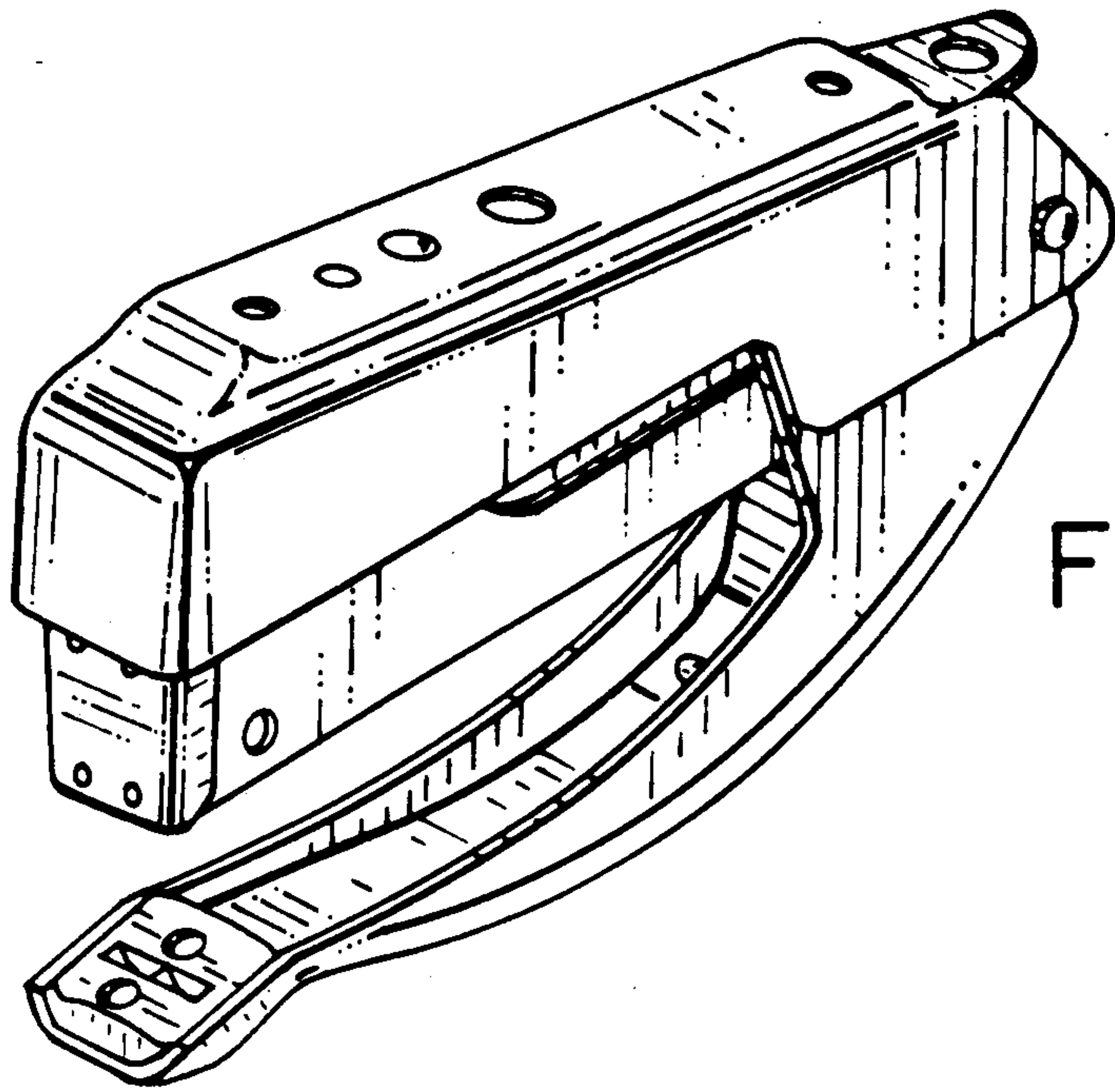


FIG. 1

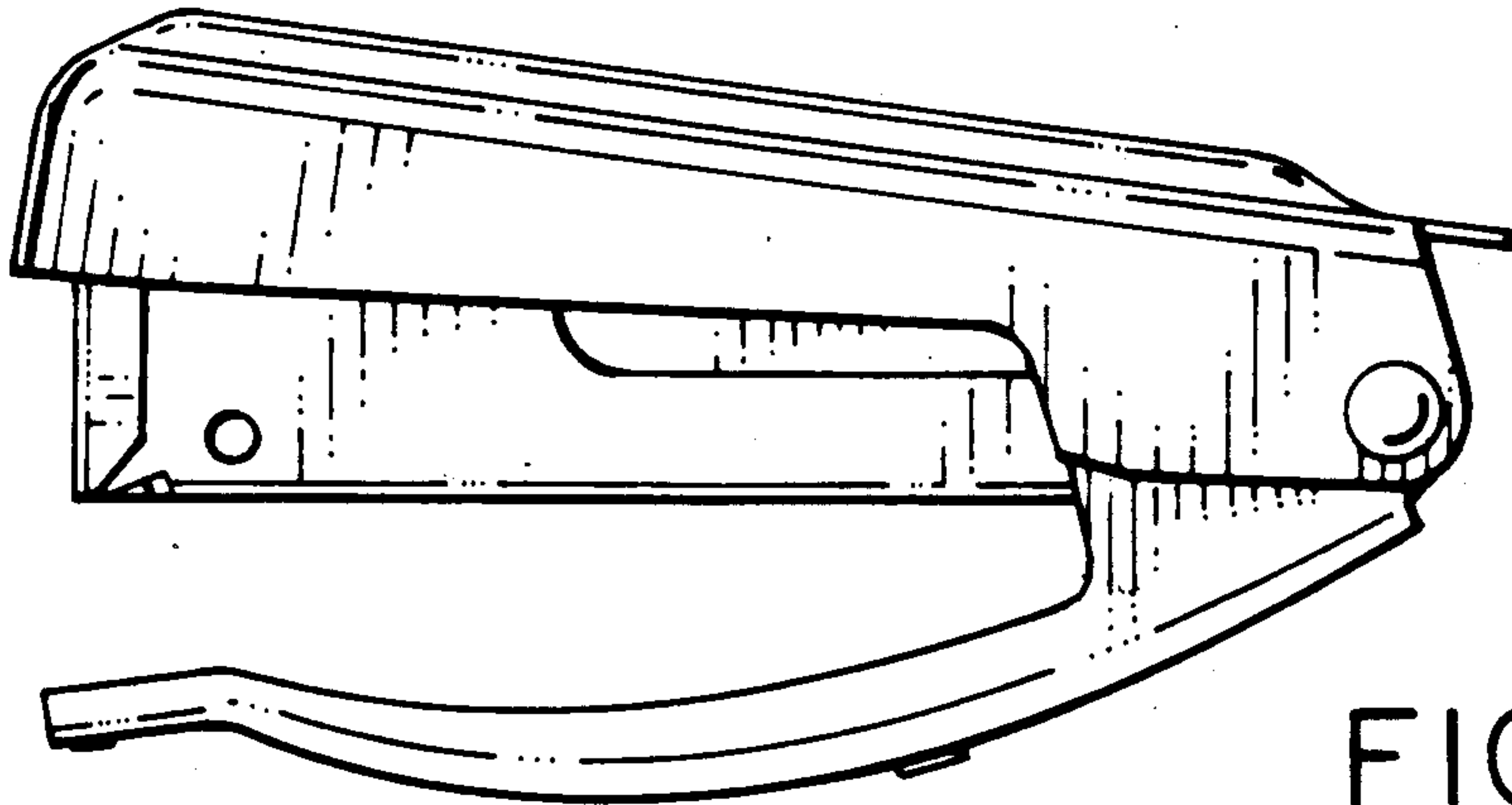


FIG. 2

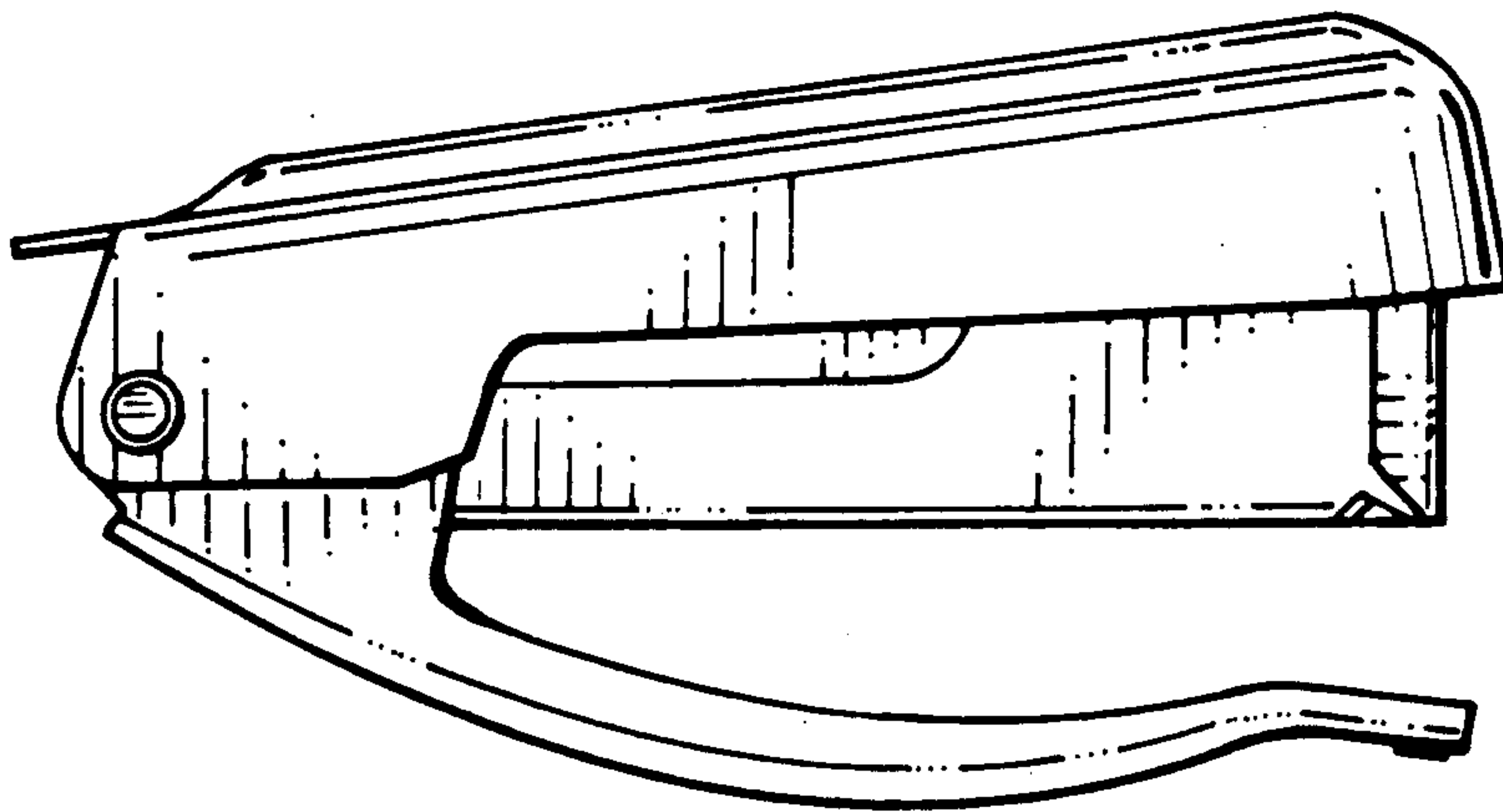


FIG. 3

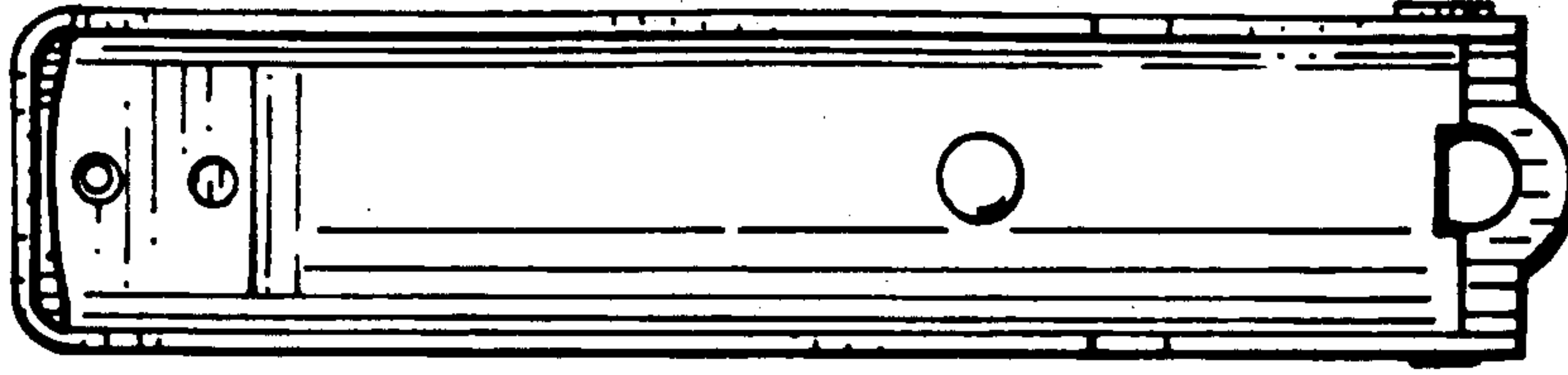


FIG. 4

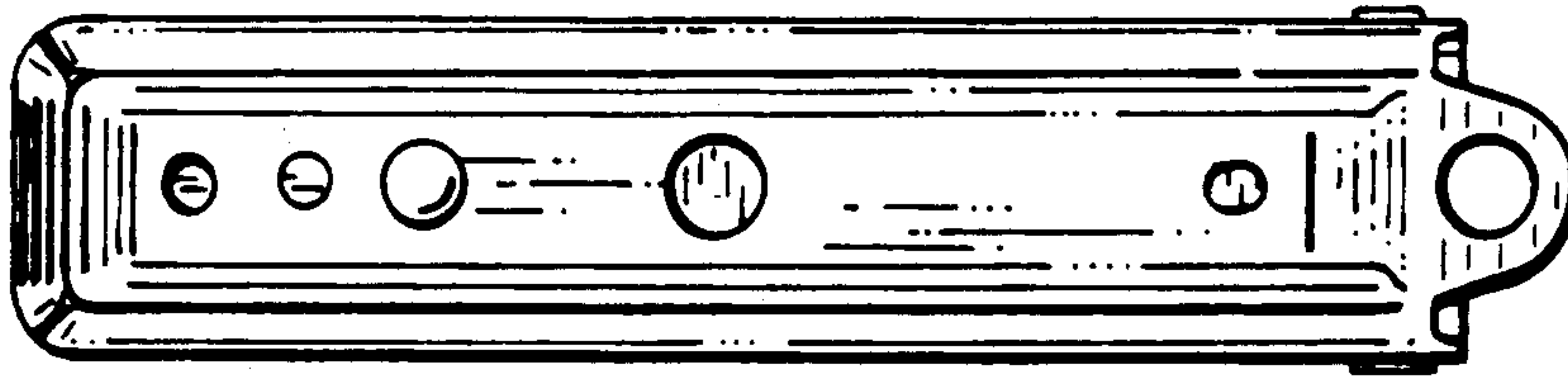


FIG. 5

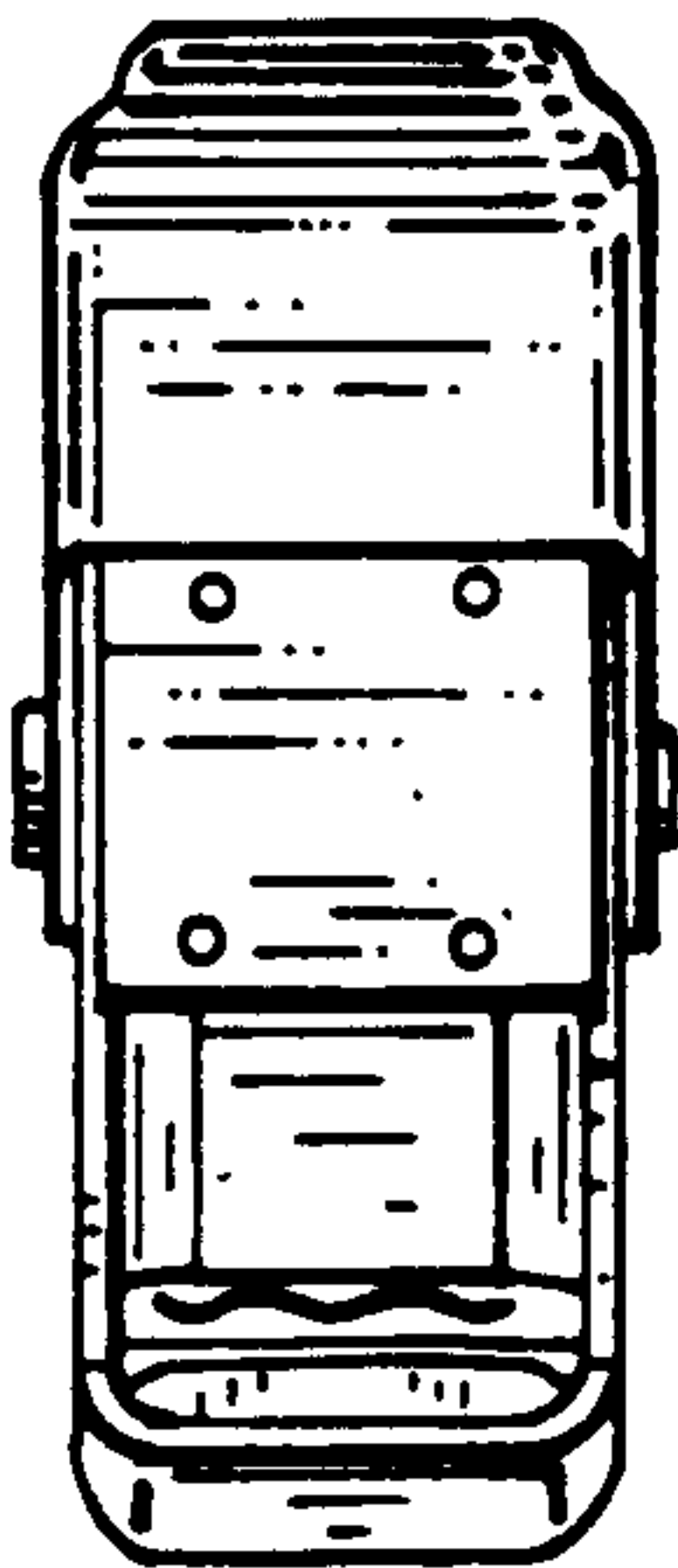


FIG. 6

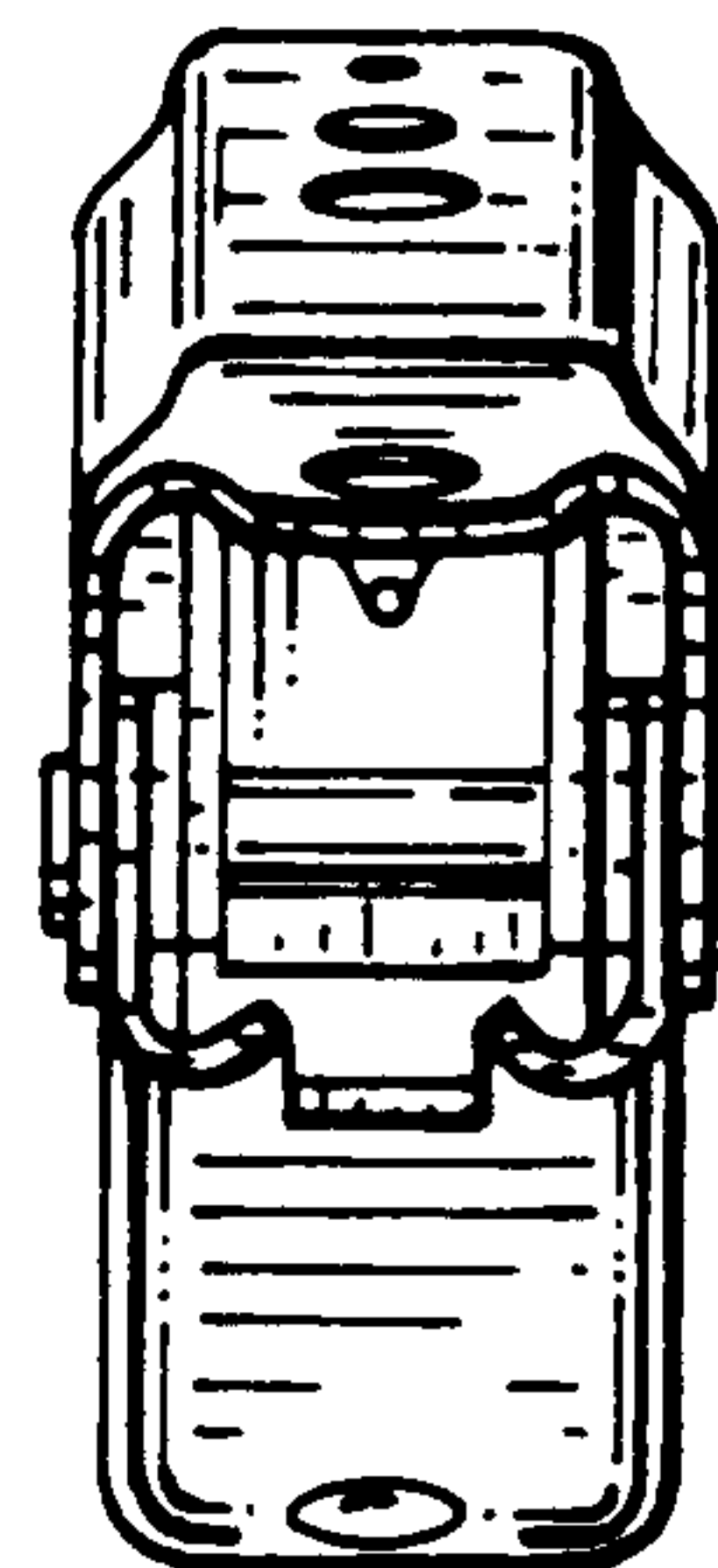


FIG. 7