

[54] HEDGE-SHEARS

[75] Inventor: Franco Clivio, Zürich, Switzerland

[73] Assignee: Gardena Kress & Kastner GmbH, Fed. Rep. of Germany

[**] Term: 14 Years

[21] Appl. No.: 450,009

[22] Filed: Dec. 12, 1989

[30] Foreign Application Priority Data

Jul. 4, 1989 [DE] Fed. Rep. of Germany M8904724.9

[52] U.S. Cl. D8/8

[58] Field of Search D8/8; 56/233-237; 30/208-210, 228, 232, 241, 243, 272 R, 272 A

[56] References Cited

U.S. PATENT DOCUMENTS

D. 186,676 11/1959 Katzfey D8/8
3,309,769 3/1967 Maxson D8/8

OTHER PUBLICATIONS

Makita brochure, Der Welt Größtes Akku-Programm, p. 16.

Metabo Elektrowerkzeuge, Neuheiten '90.

Hardware Age, Jul. 1987, p. 96, hedgetrimmer, boxed item in lower right-hand corner.

Hardware Age, Jul. 1988, p. 54, chain saw, boxed item in lower right-hand corner.

Smith and Hawken, Summer 1988, p. 33, garden trimmer, located at bottom of page.

Primary Examiner—Wallace R. Burke

Assistant Examiner—Holly H. Baynham

Attorney, Agent, or Firm—Eckert Seamans Cherin & Mellott

[57] CLAIM

The ornamental design for hedge-shears, as shown and described.

DESCRIPTION

FIG. 1 is a perspective view of hedge shears showing my new design;

FIG. 2 is a top plan view thereof;

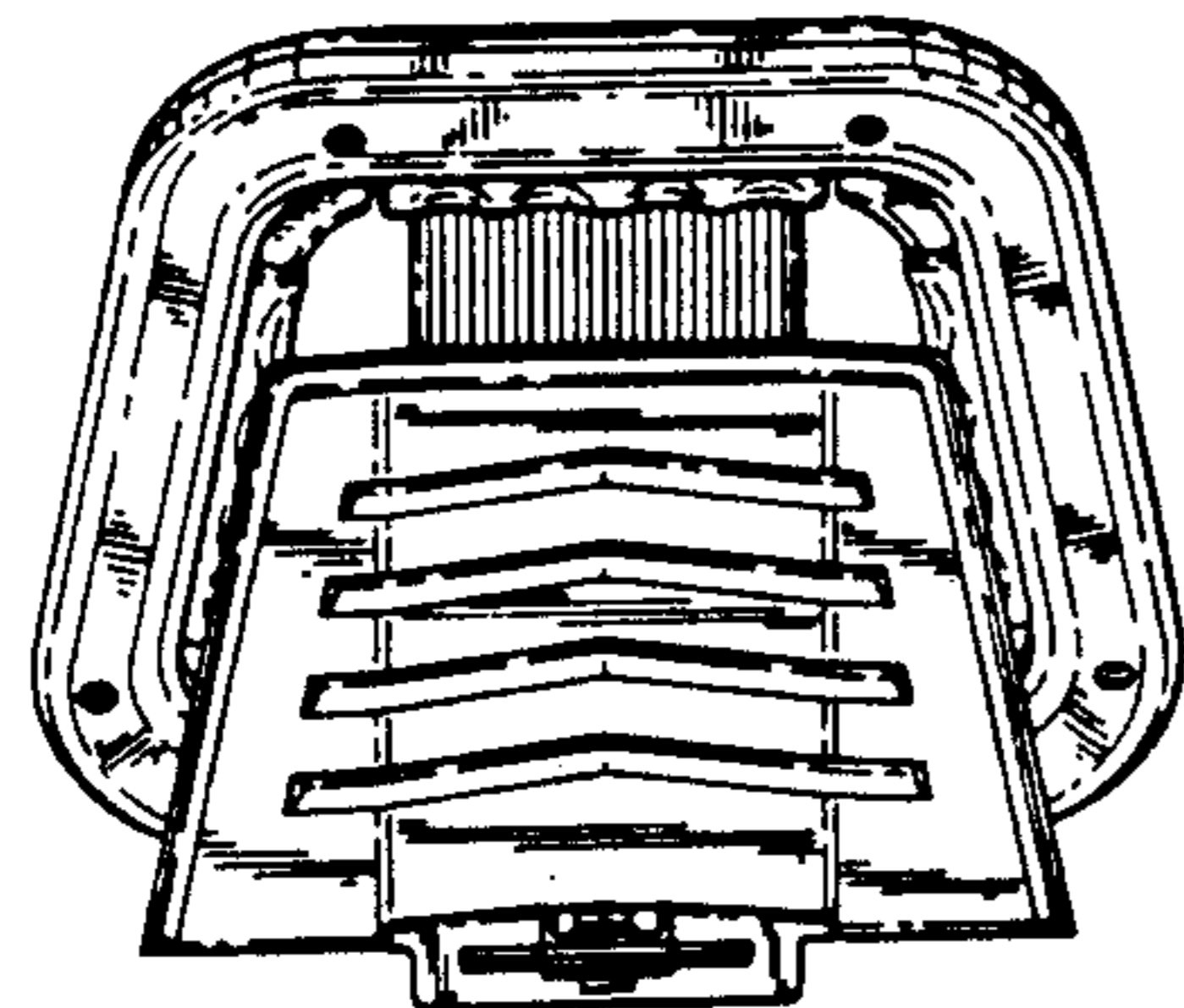
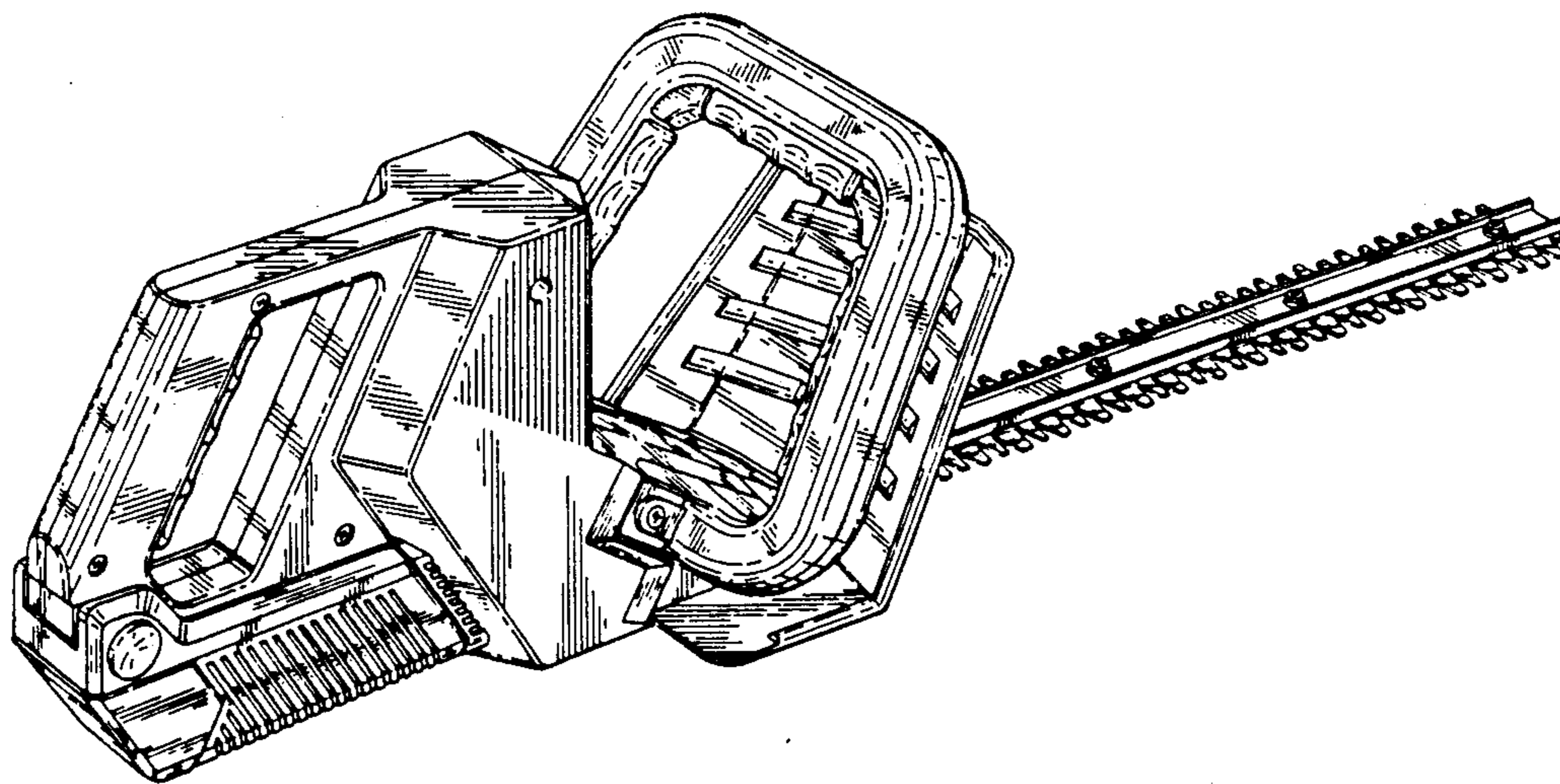
FIG. 3 is a side elevational view thereof;

FIG. 4 is a front elevational view thereof;

FIG. 5 is an opposite side elevational view thereof;

FIG. 6 is a rear elevational view thereof; and

FIG. 7 is a bottom plan view thereof.



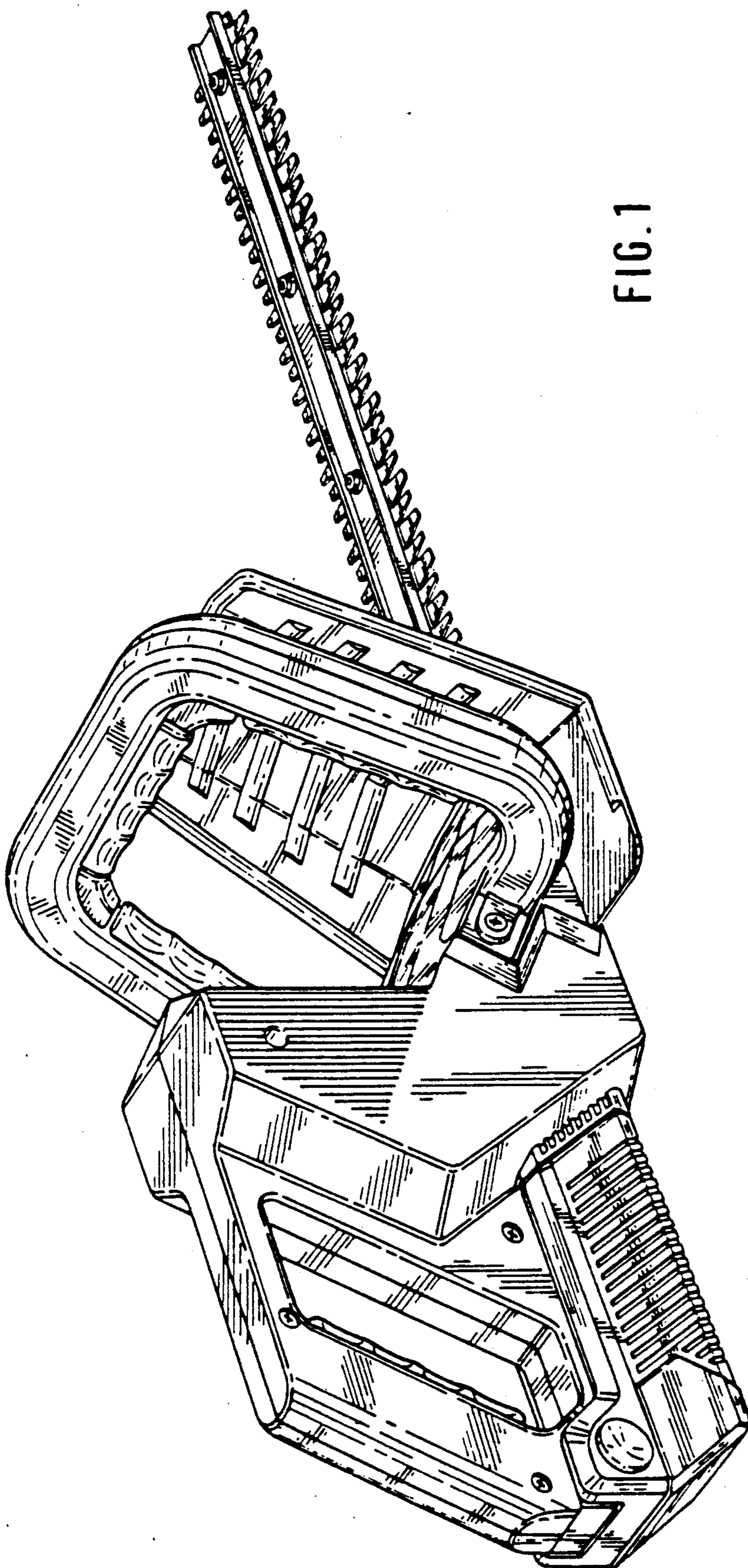
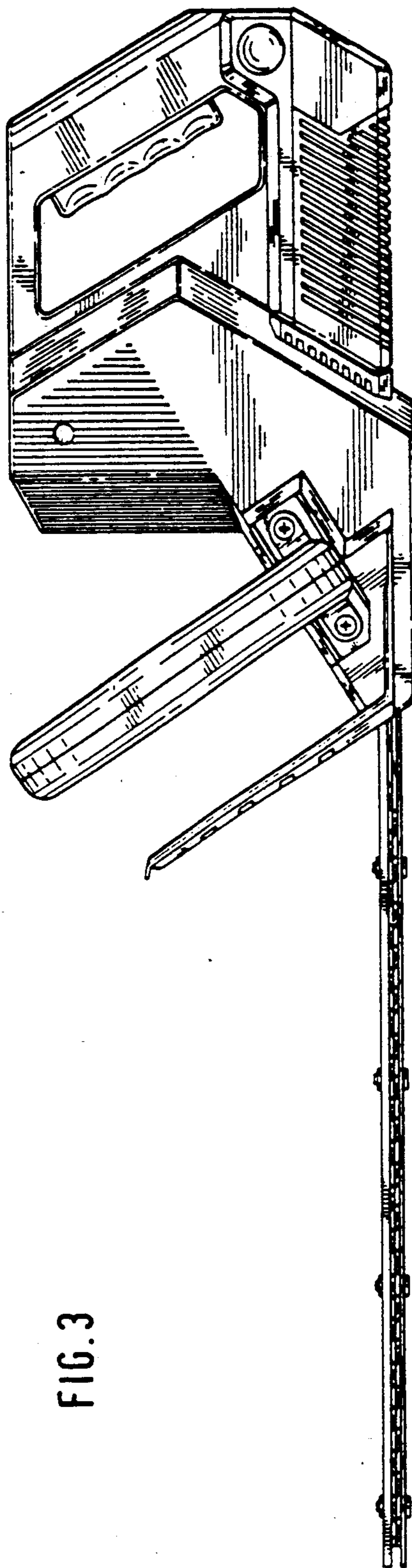
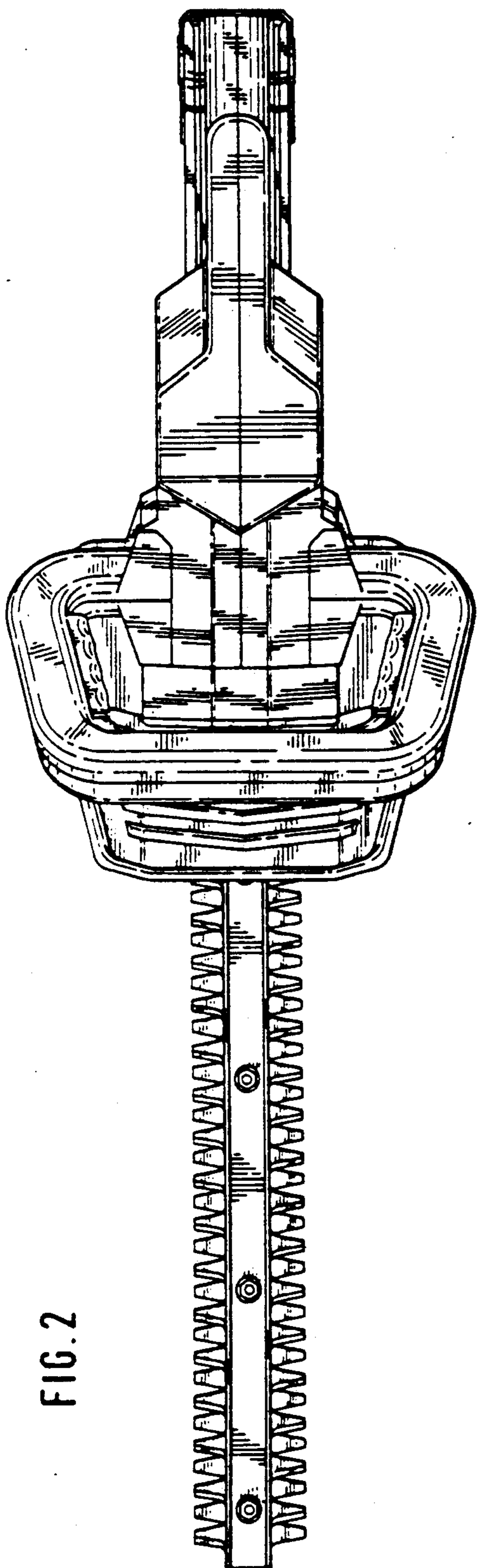


FIG. 1



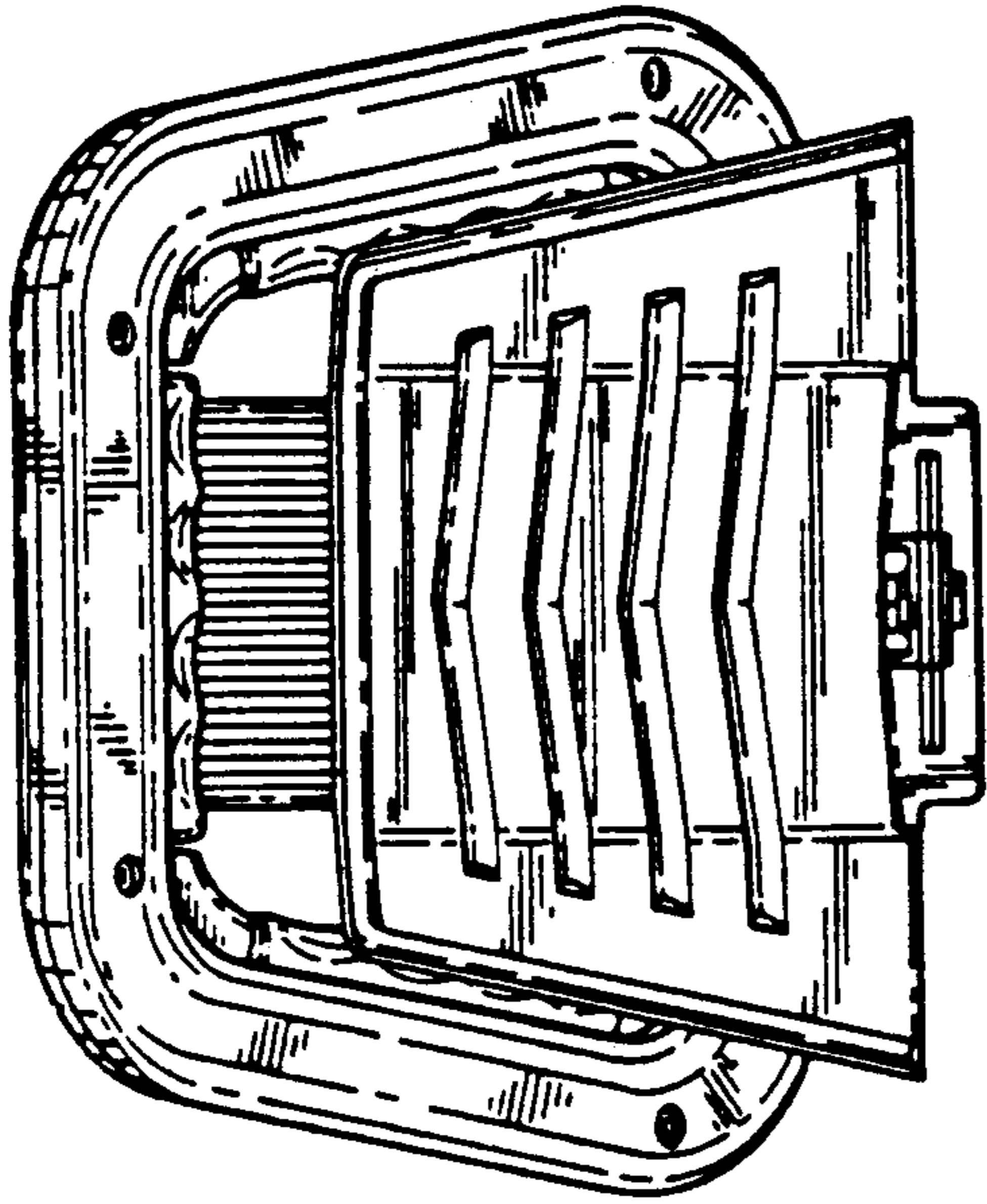


FIG. 4

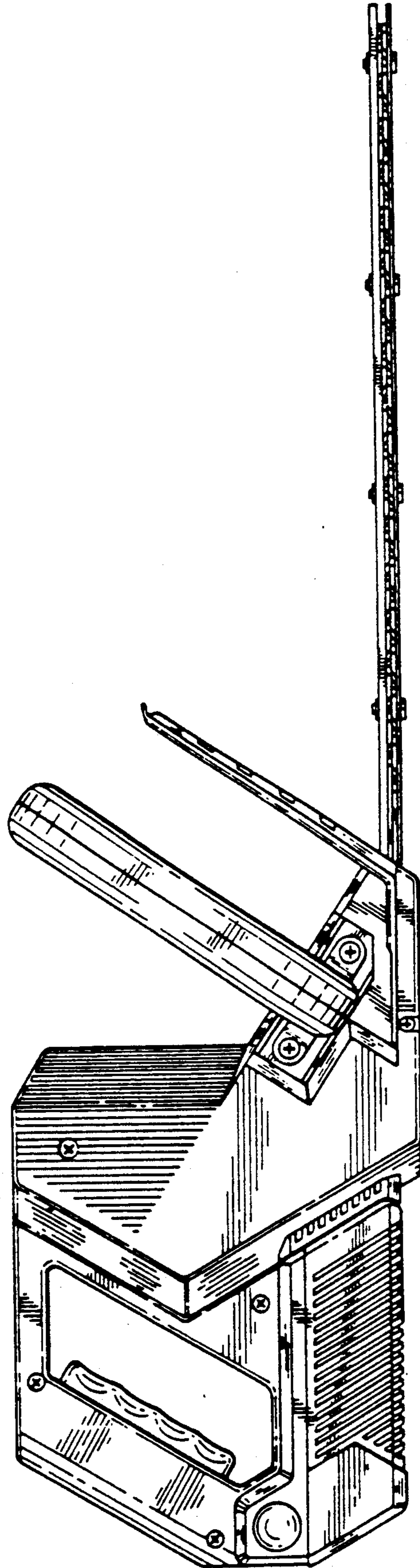


FIG. 5

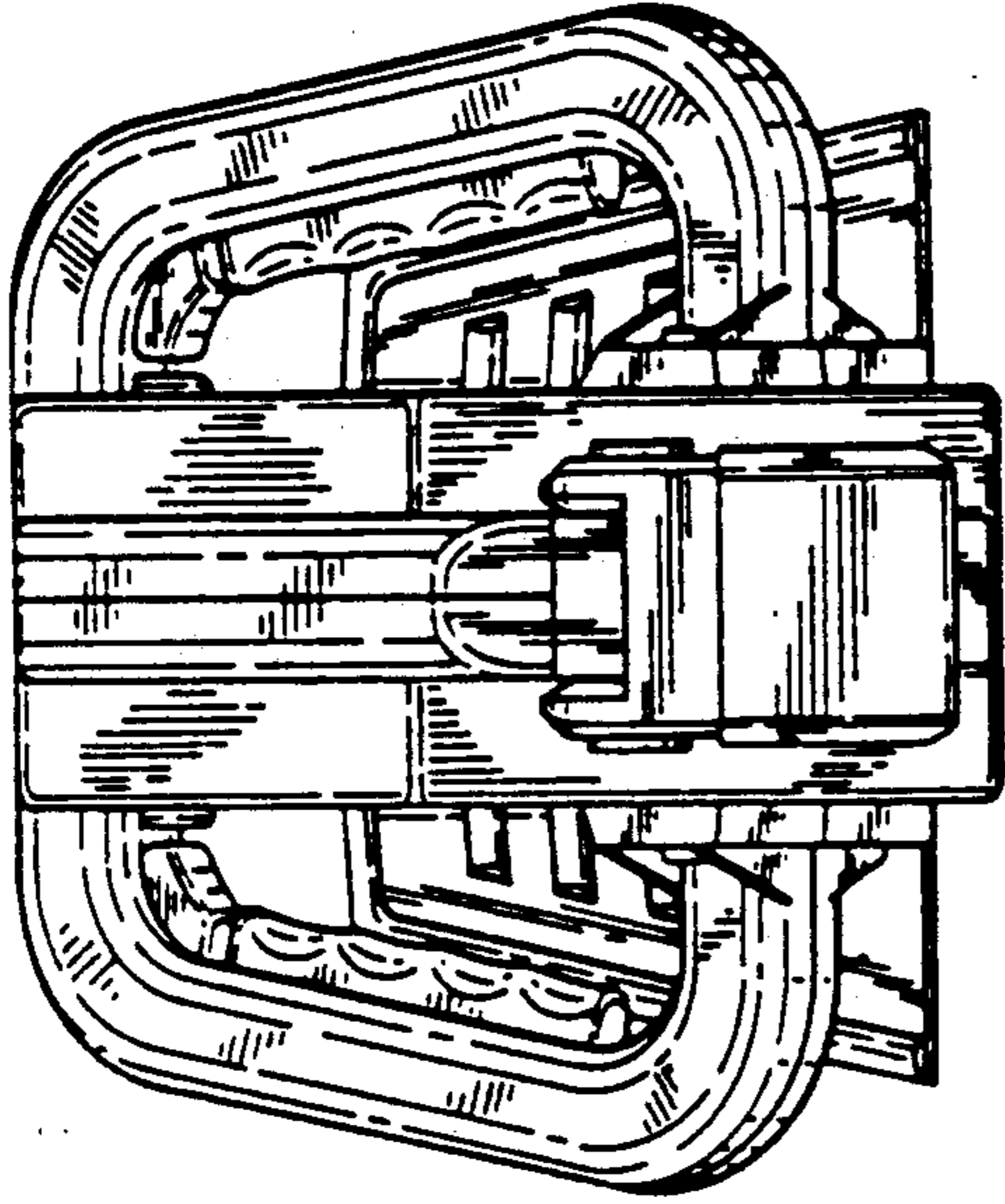


FIG. 6

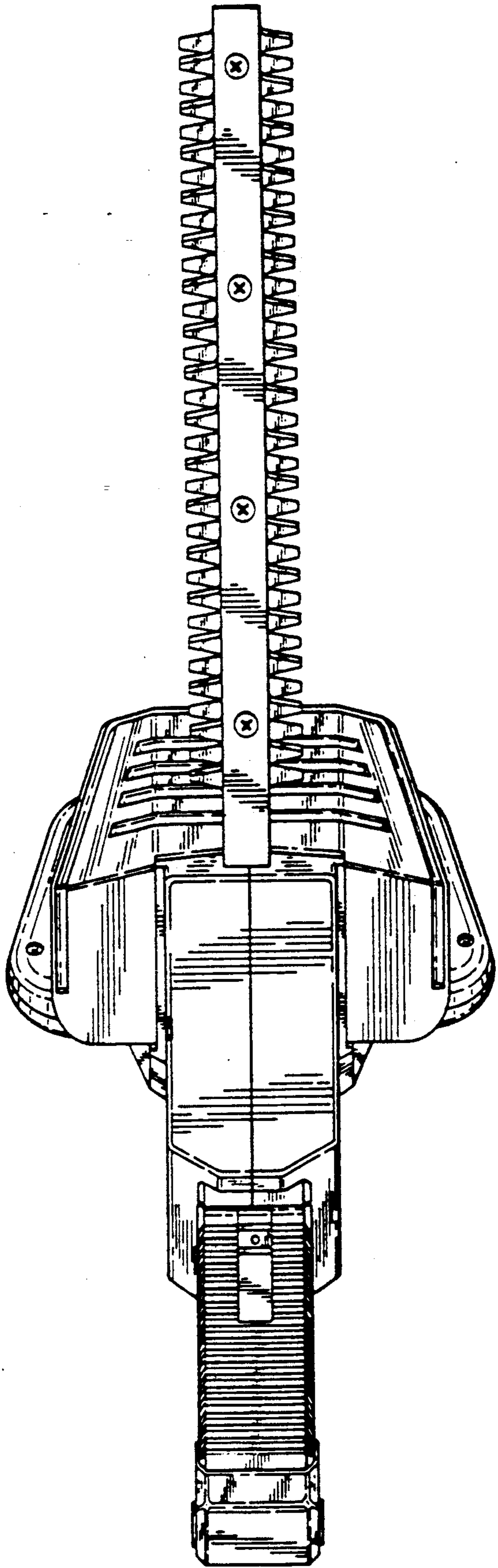


FIG. 7