

[54] PICNIC BOX

[75] Inventor: Lam P. Kin, Tsuen Wan, Hong Kong

[73] Assignee: Kinllex Industrial Ltd., Hong Kong

[**] Term: 14 Years

[21] Appl. No.: 339,434

[22] Filed: Apr. 17, 1989

[30] Foreign Application Priority Data

Dec. 20, 1988 [GB] United Kingdom 1055829

[52] U.S. Cl. D7/626; D7/605

[58] Field of Search D7/626, 629, 605;
D3/30.1; 206/223, 541; 62/457.1, 457.7

[56] References Cited

U.S. PATENT DOCUMENTS

D. 266,183 9/1982 Snow D7/605 X

Primary Examiner—Terry A. Pfeffer
Attorney, Agent, or Firm—Armstrong, Nikaido,
Marmelstein, Kubovcik & Murray

[57] CLAIM

The ornamental design for a picnic box, as shown and described.

DESCRIPTION

FIG. 1 is a top plan view of a picnic box showing my new design;

FIG. 2 is a bottom plan view thereof;

FIG. 3 is a right side elevational view thereof, the opposite side being a mirror image;

FIG. 4 is a front elevation view thereof, the opposite side being a mirror image;

FIG. 5 is an exploded front elevational view thereof;

FIG. 6 is an exploded right side elevational view thereof; and

FIG. 7 is a perspective view thereof.

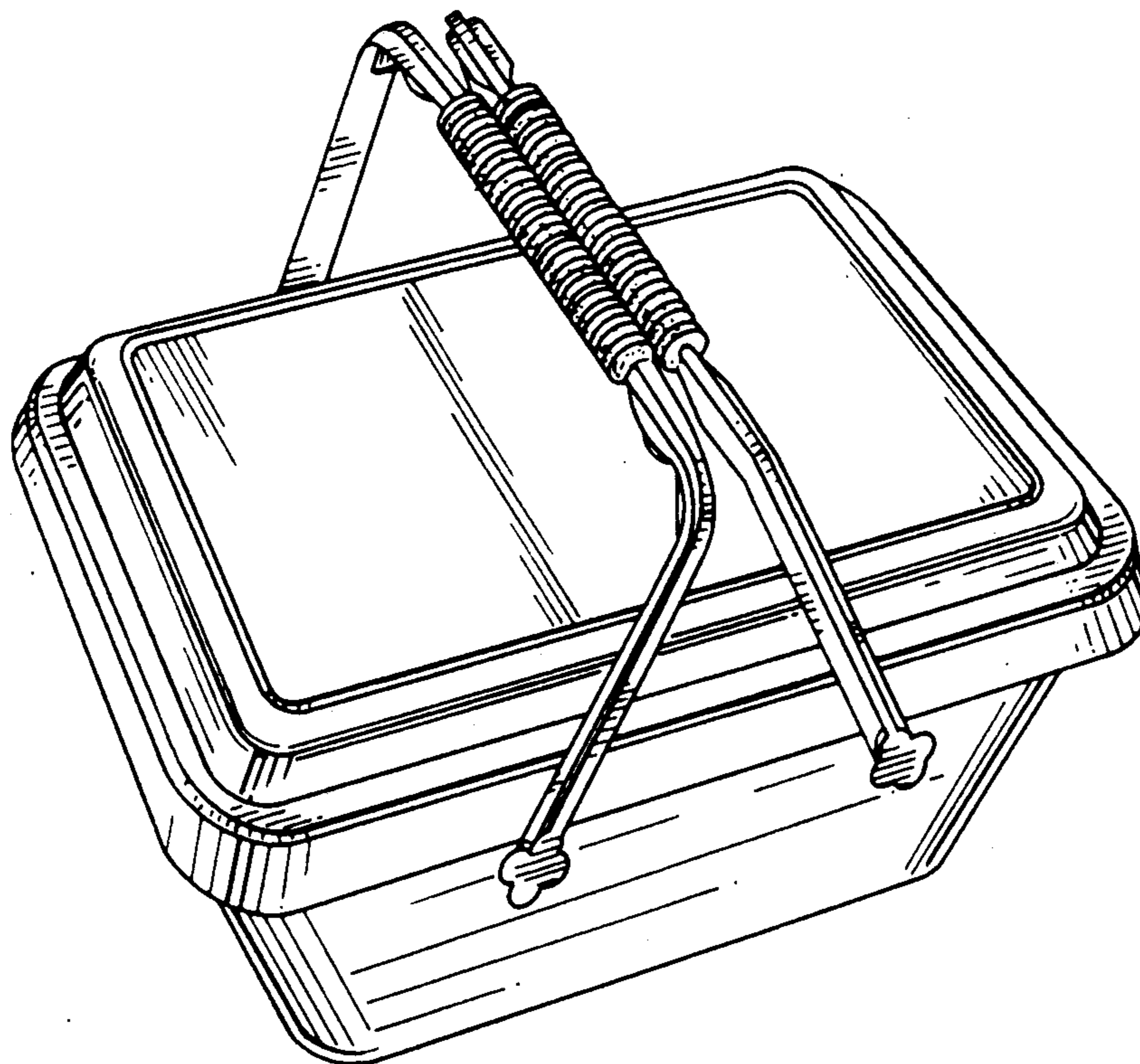


FIG. 1

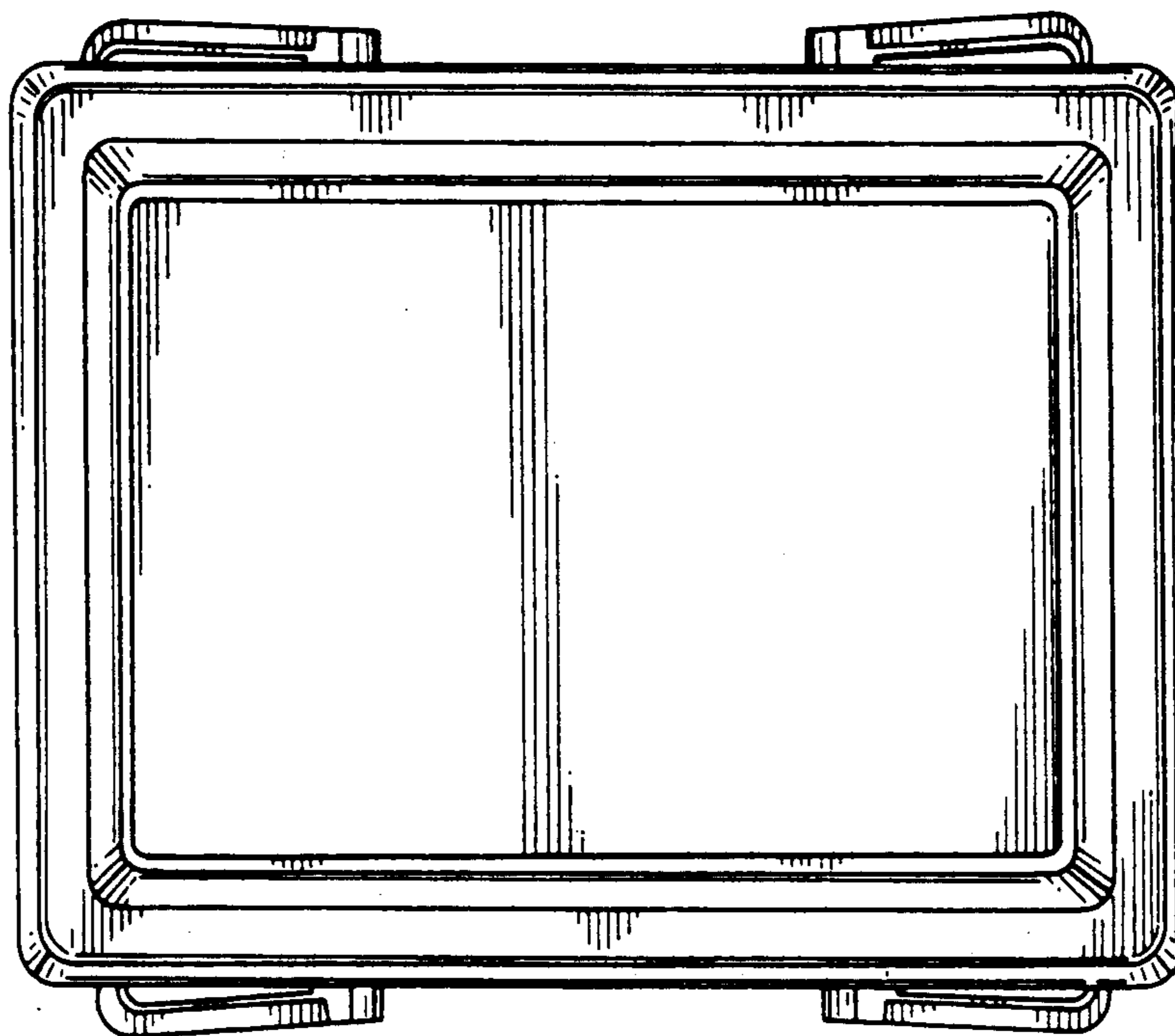


FIG. 2

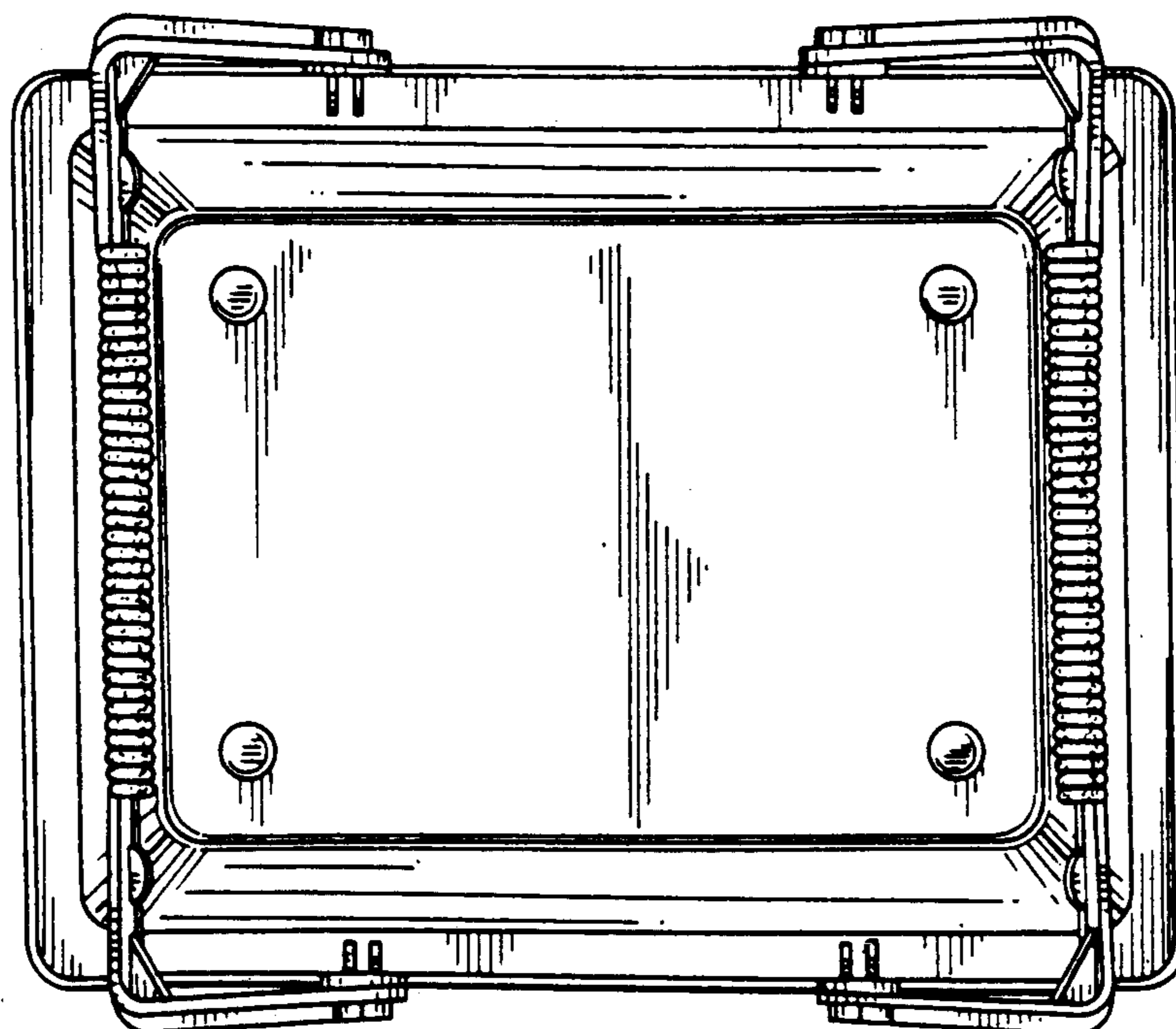


FIG. 3

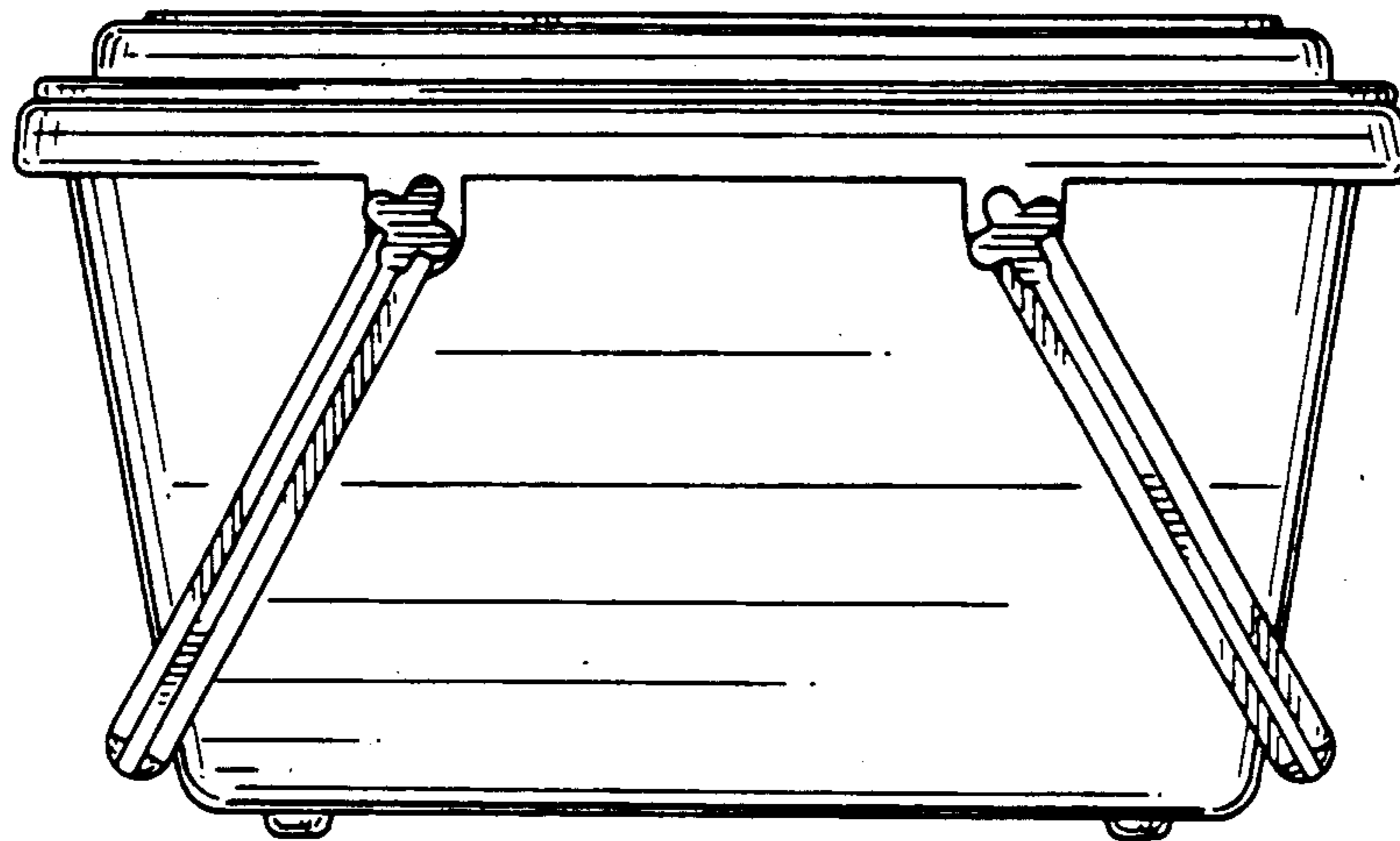


FIG. 4

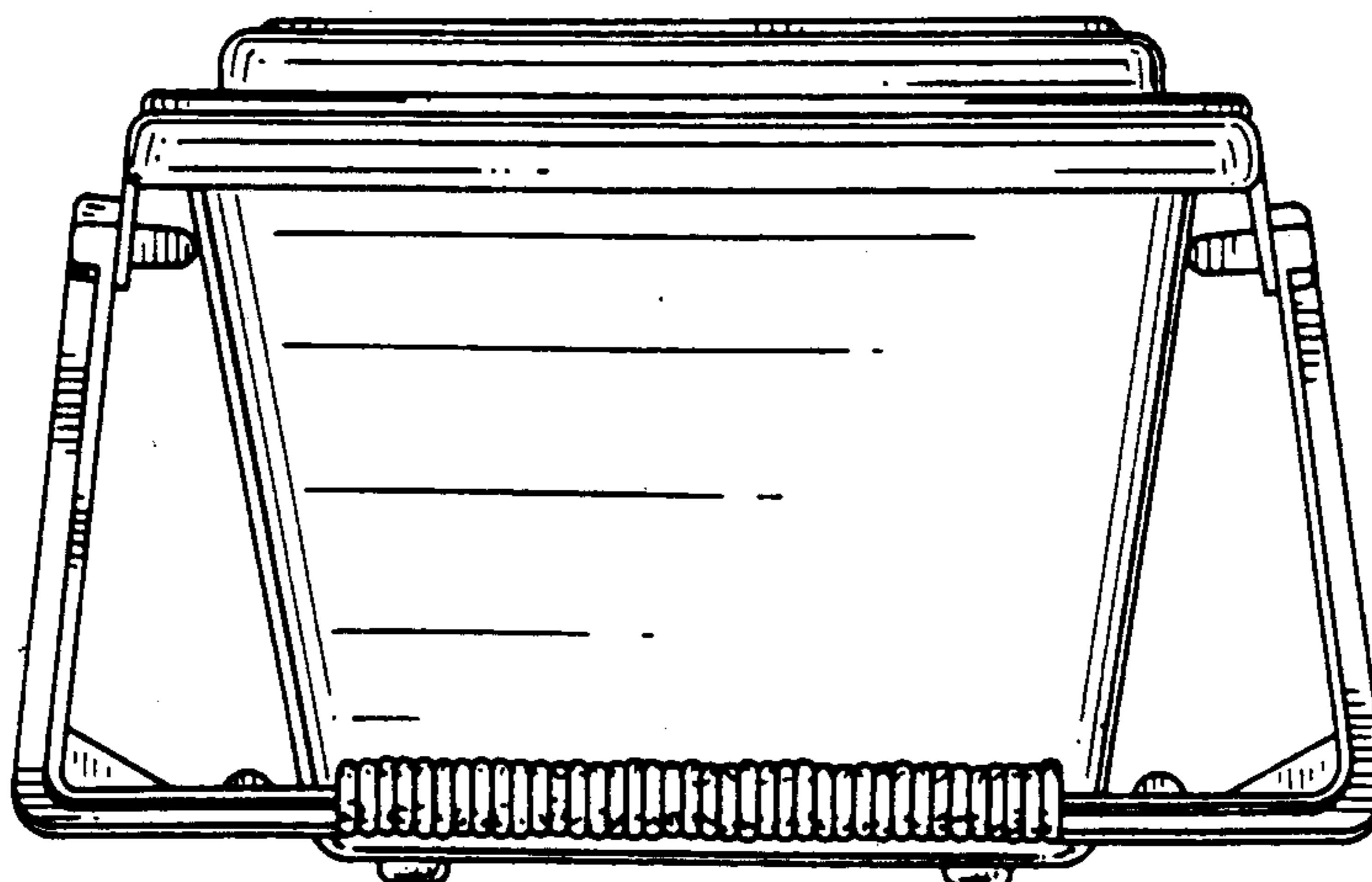


FIG. 5

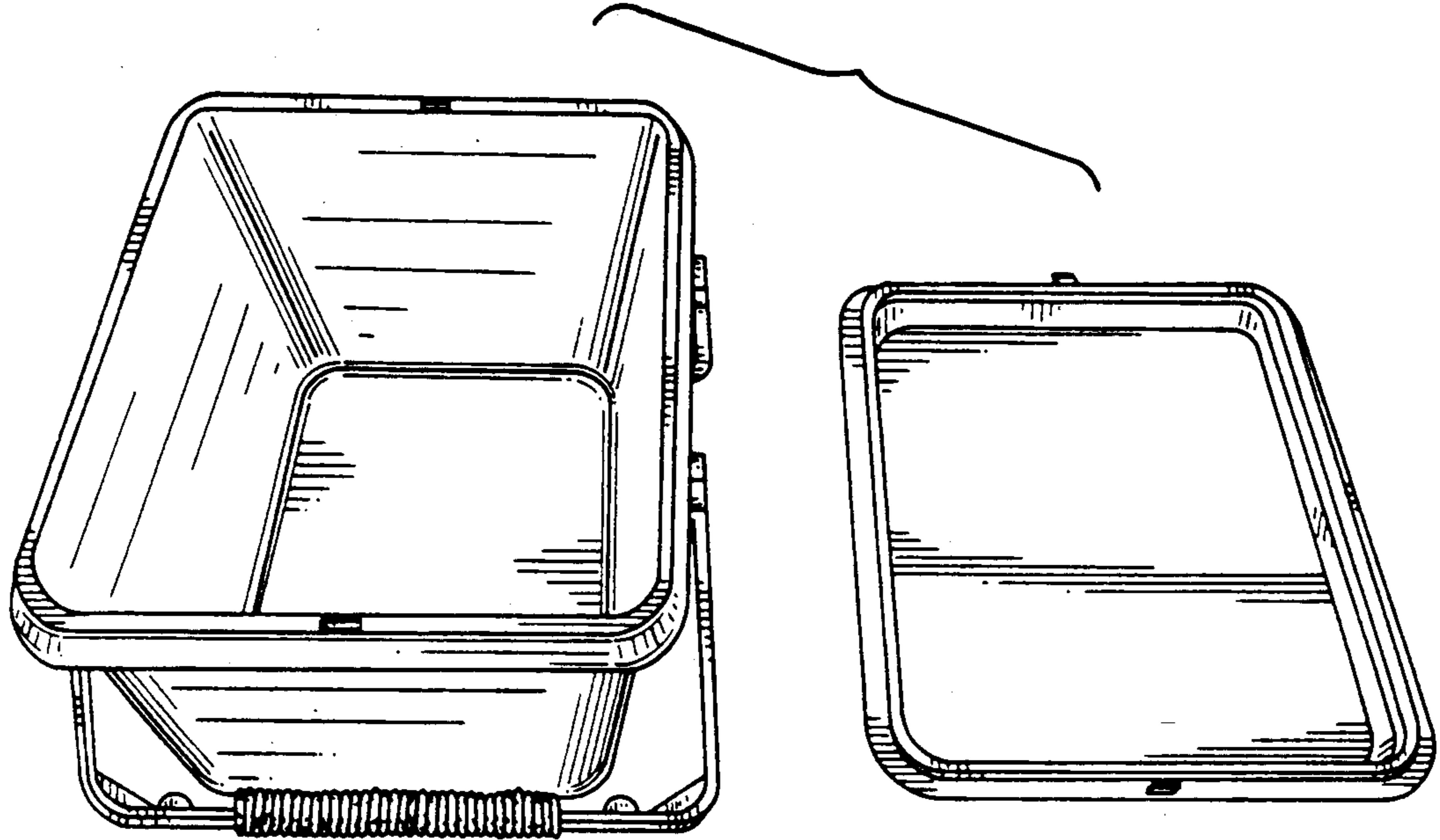
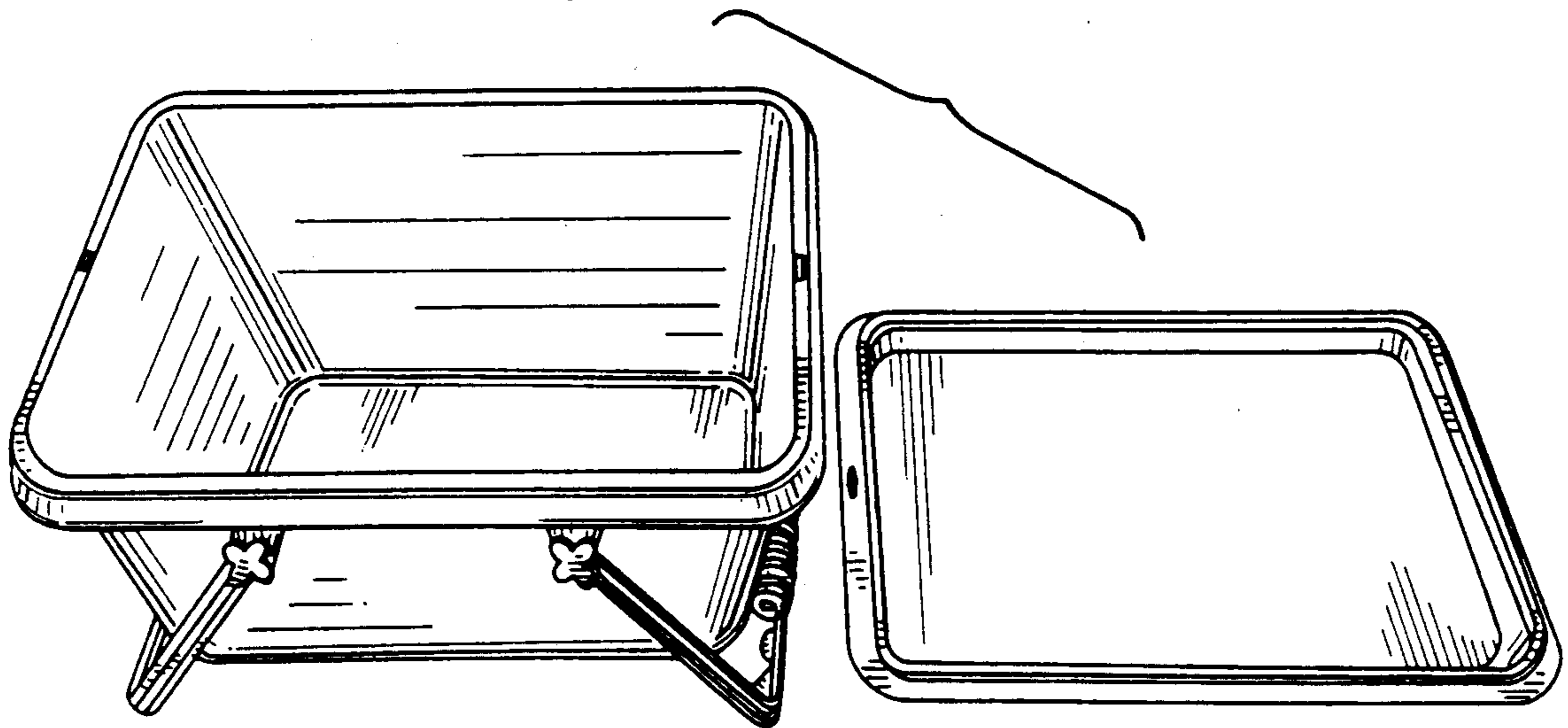


FIG. 6



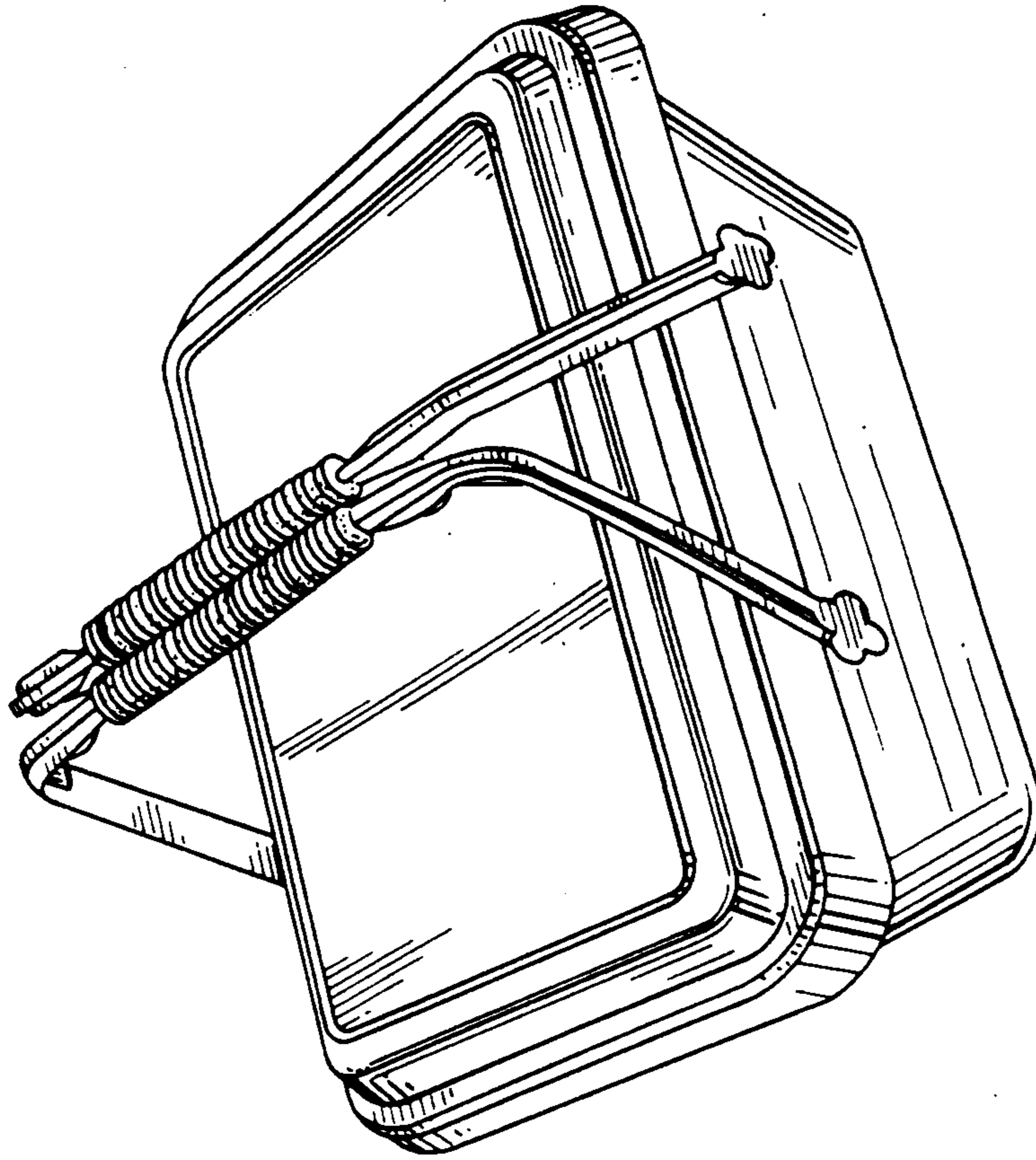


FIG. 7