

[54] **ELECTRIC COFFEE MAKER**

[75] **Inventor: Jean-Louis Barrault,**  
**Boulogne-Billancourt, France**

[73] **Assignee: Moulinex (Societe Anonyme),**  
**Bagnolet, France**

[\*\*] **Term: 14 Years**

[21] **Appl. No.: 174,026**

[22] **Filed: Mar. 28, 1988**

[30] **Foreign Application Priority Data**

Sep. 28, 1987 [FR] France ..... 875640  
[52] **U.S. Cl. .... D7/309**  
[58] **Field of Search ..... D7/300, 305, 309, 310-312,**  
**D7/308**

[56] **References Cited**

**U.S. PATENT DOCUMENTS**

D. 253,572 12/1979 Rinaldi ..... D7/309  
D. 288,517 3/1987 Kahlcke ..... D7/309  
D. 295,888 5/1988 Schulein et al. .... D7/310 X

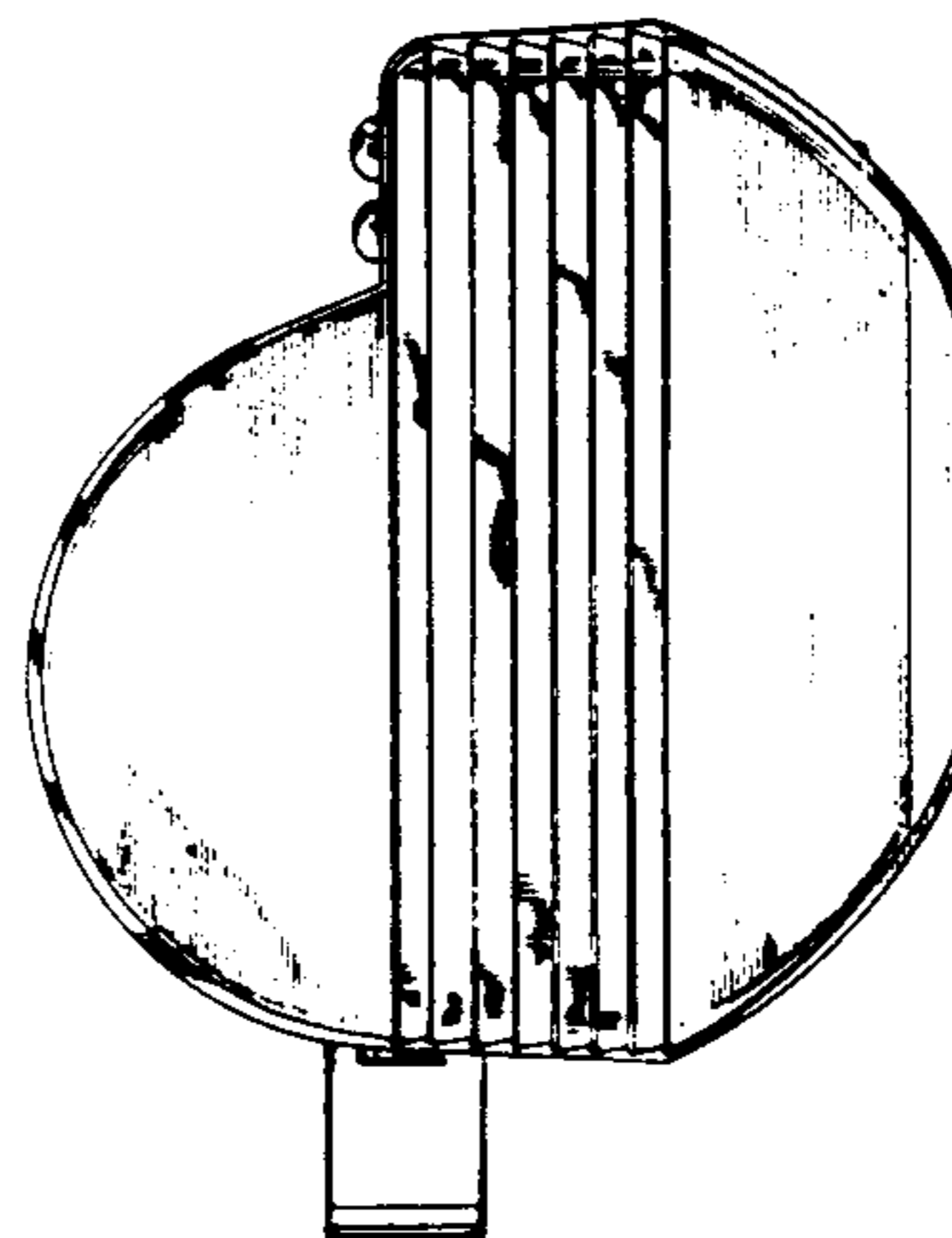
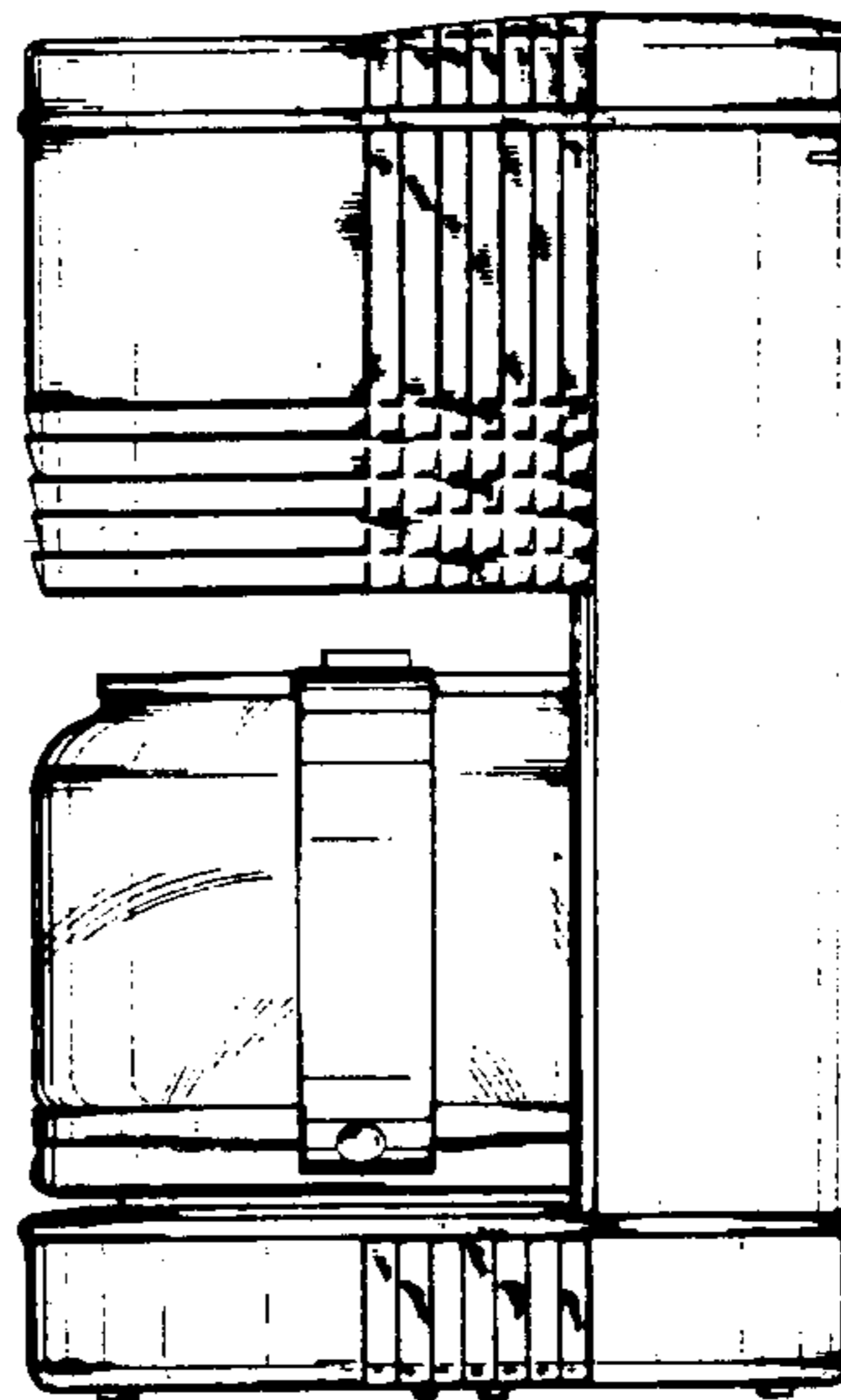
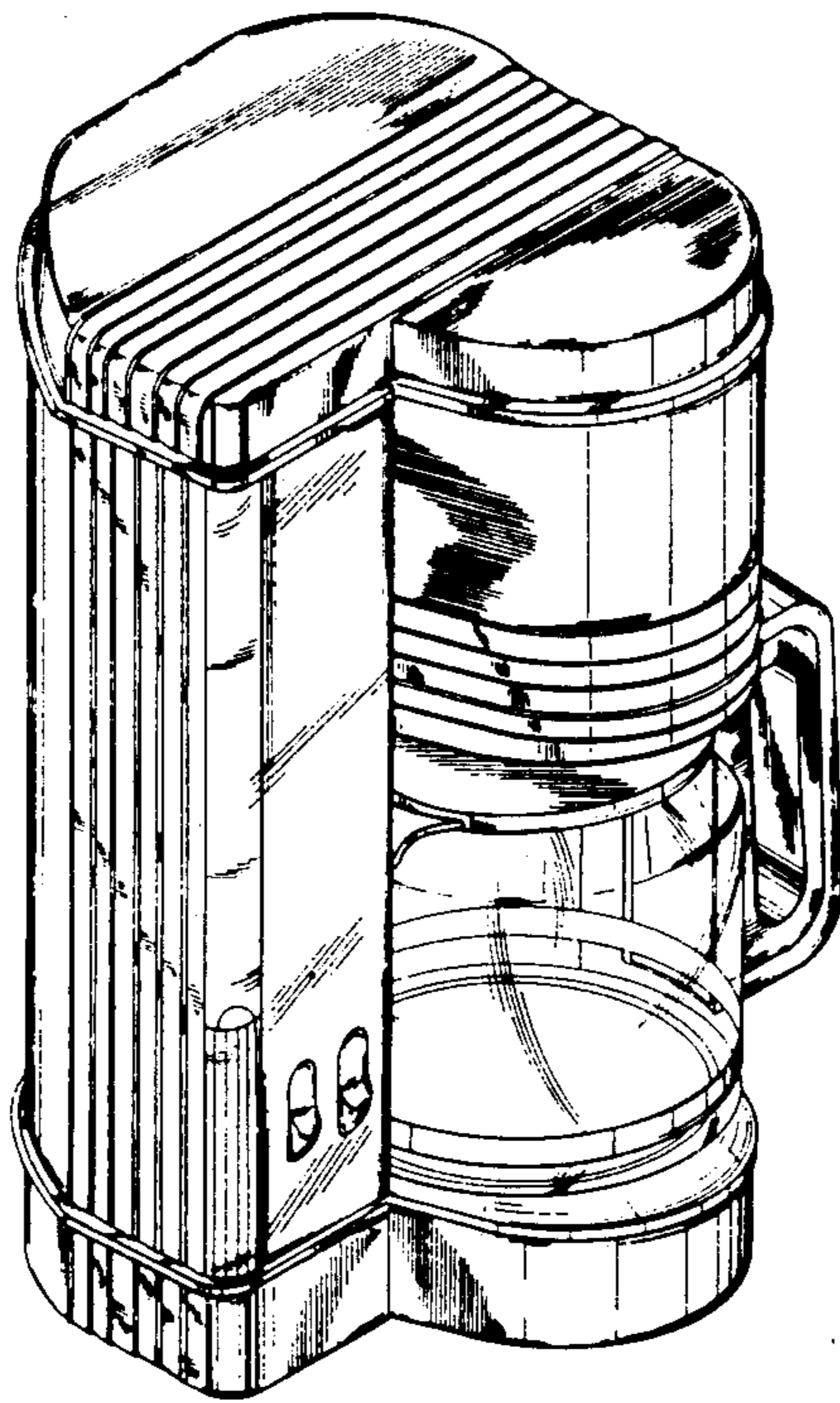
*Primary Examiner—Winifred E. Herrmann*  
*Attorney, Agent, or Firm—Young & Thompson*

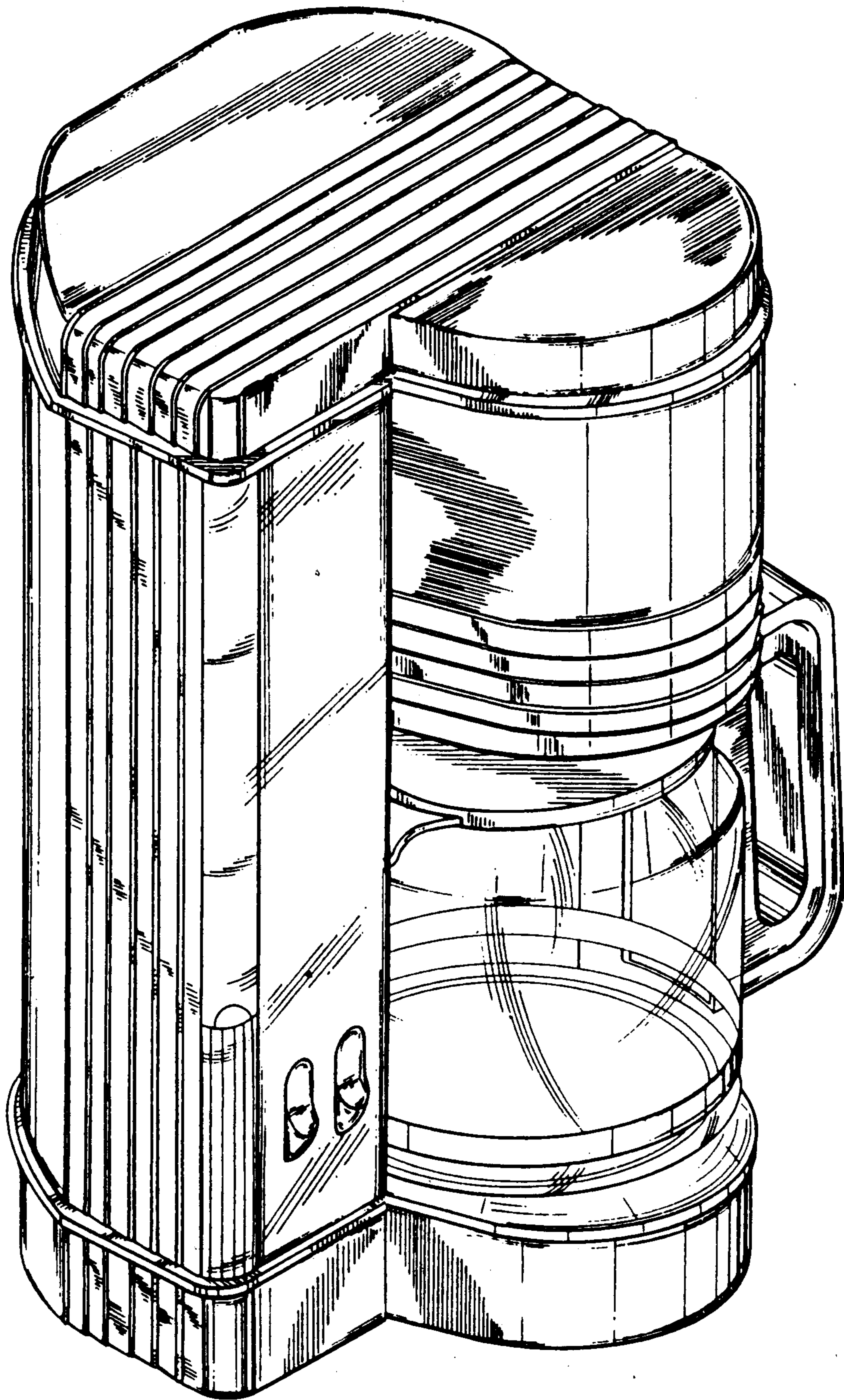
[57] **CLAIM**

The ornamental design for an electric coffee maker, as shown.

**DESCRIPTION**

FIG. 1 is a front, top and left side perspective view of an electric coffee maker showing my new design; FIG. 2 is a front elevational view thereof; FIG. 3 is a rear elevational view thereof; FIG. 4 is a side elevational view thereof from the right of FIG. 2. FIG. 5 is a side elevational view thereof from the left of FIG. 2; FIG. 6 is a top plan view thereof; and FIG. 7 is a bottom plan view thereof.





**FIG. 1**

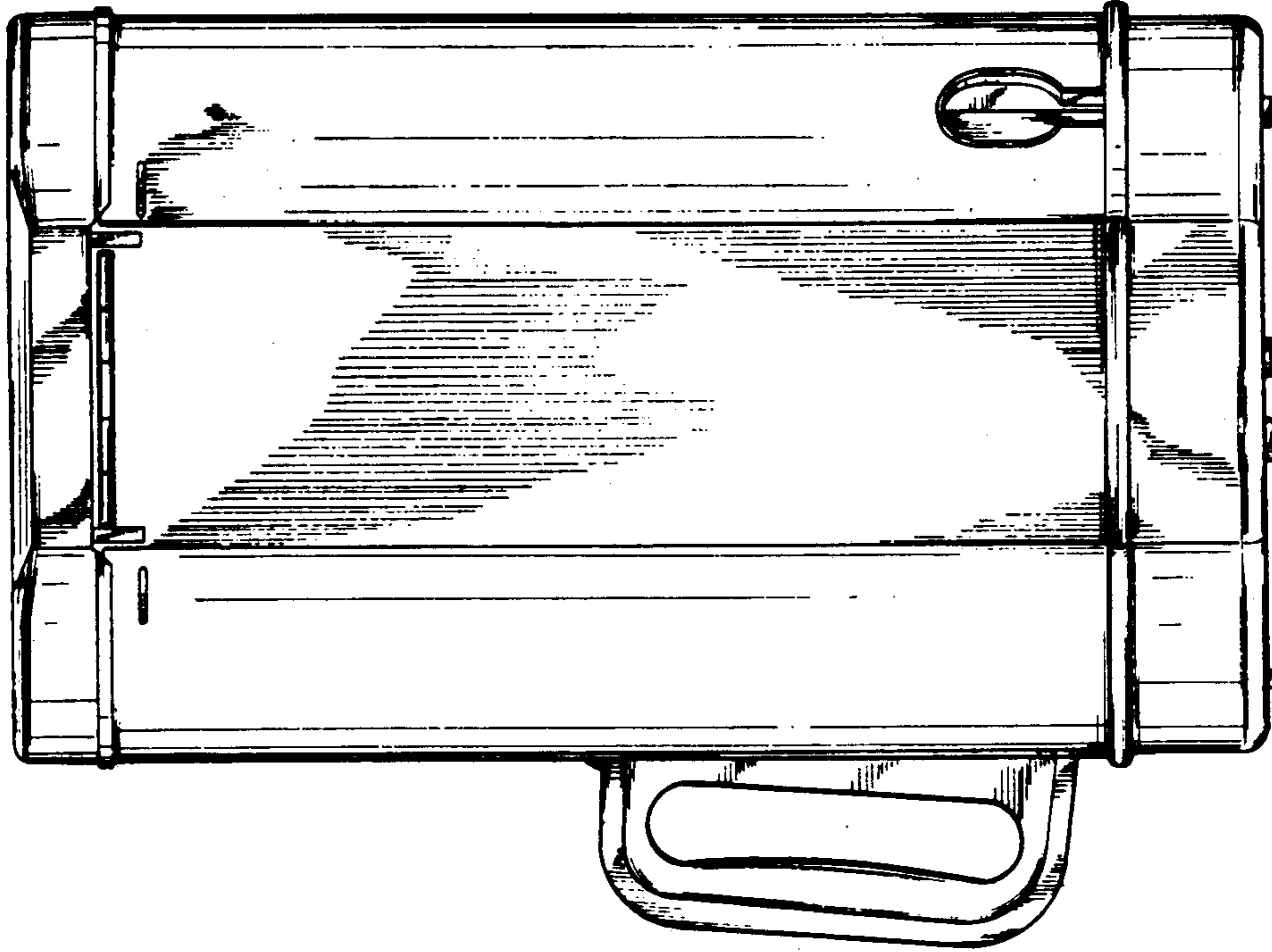


FIG. 3

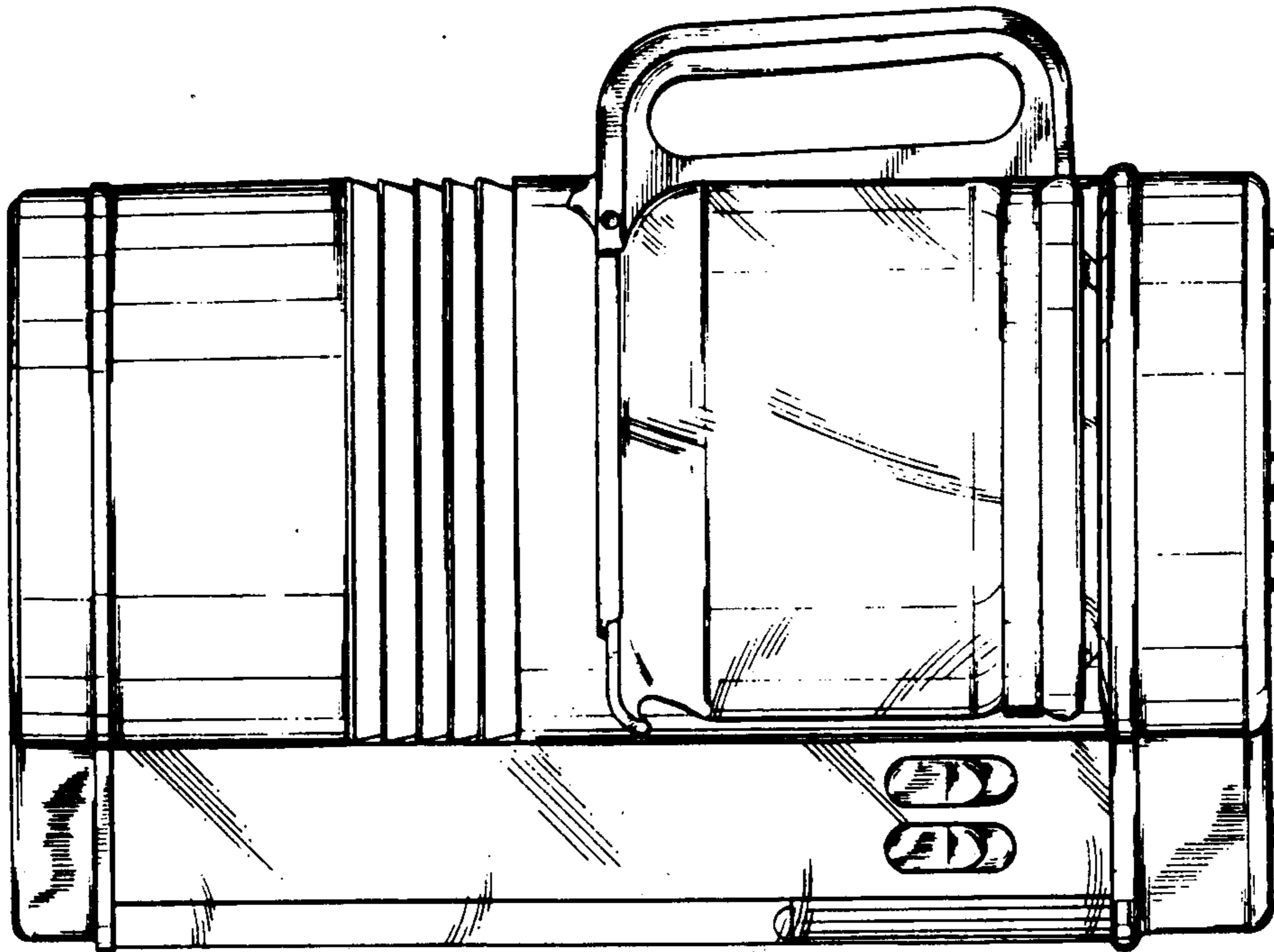


FIG. 2

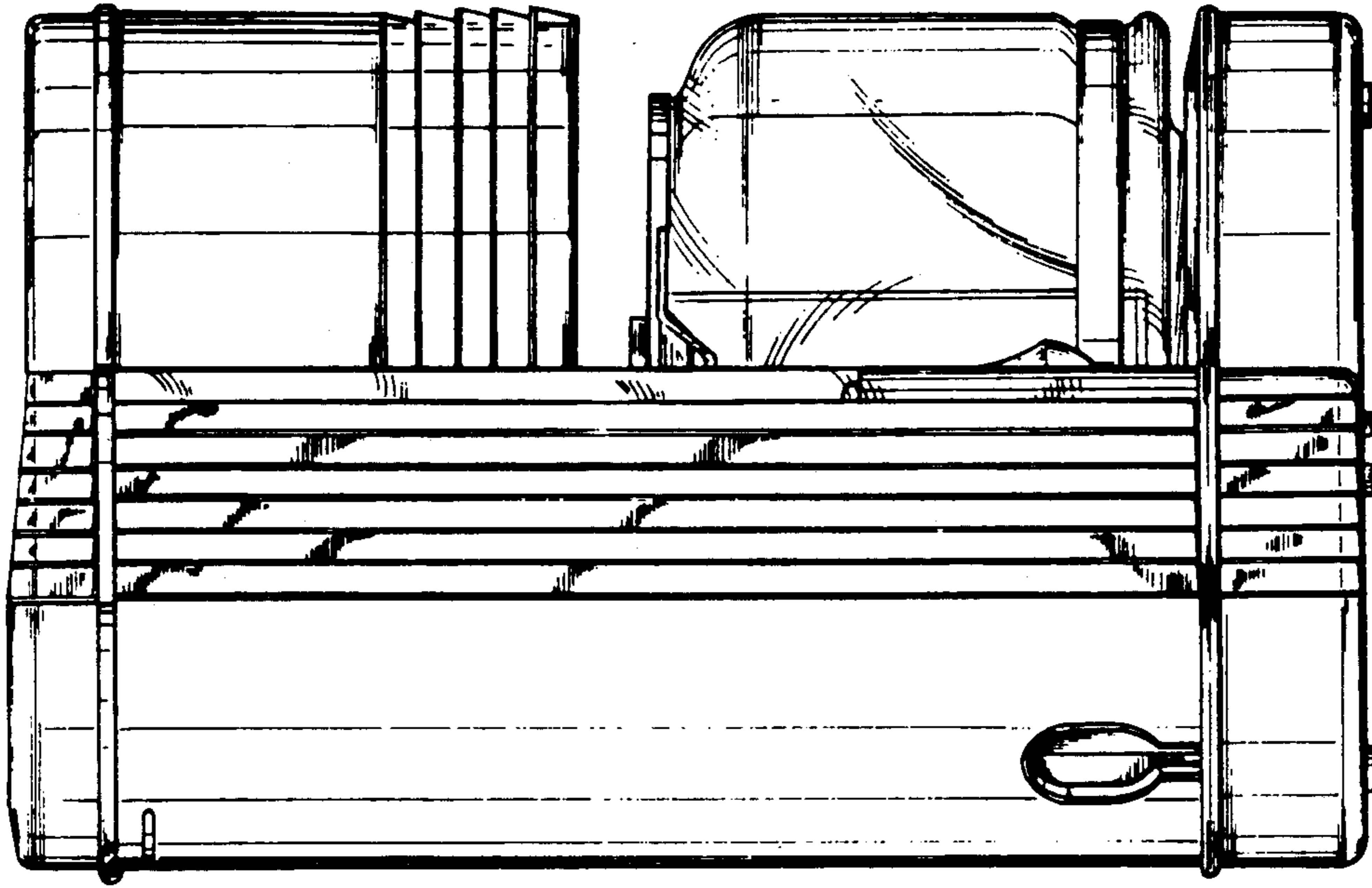


FIG. 5

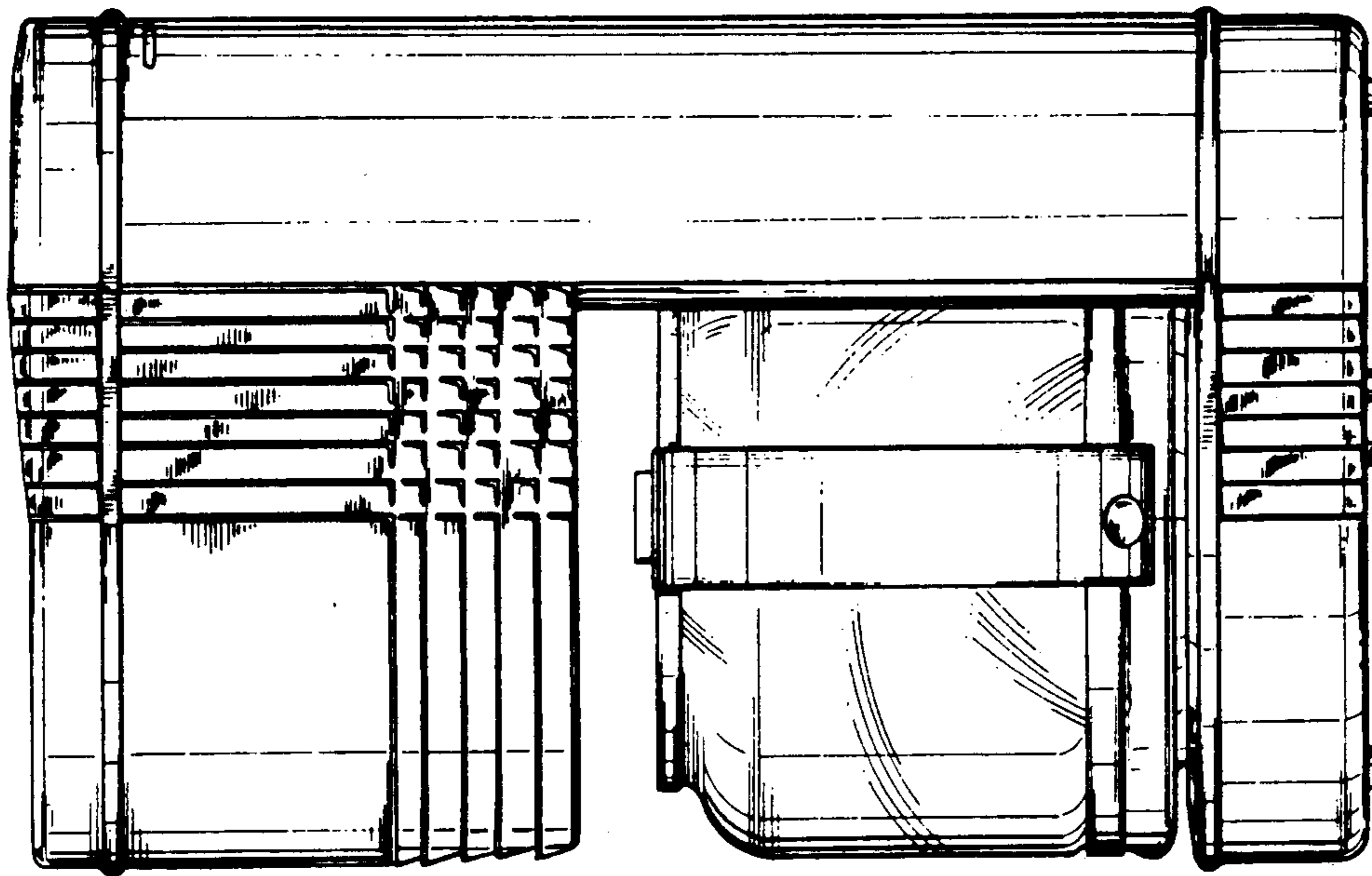


FIG. 4

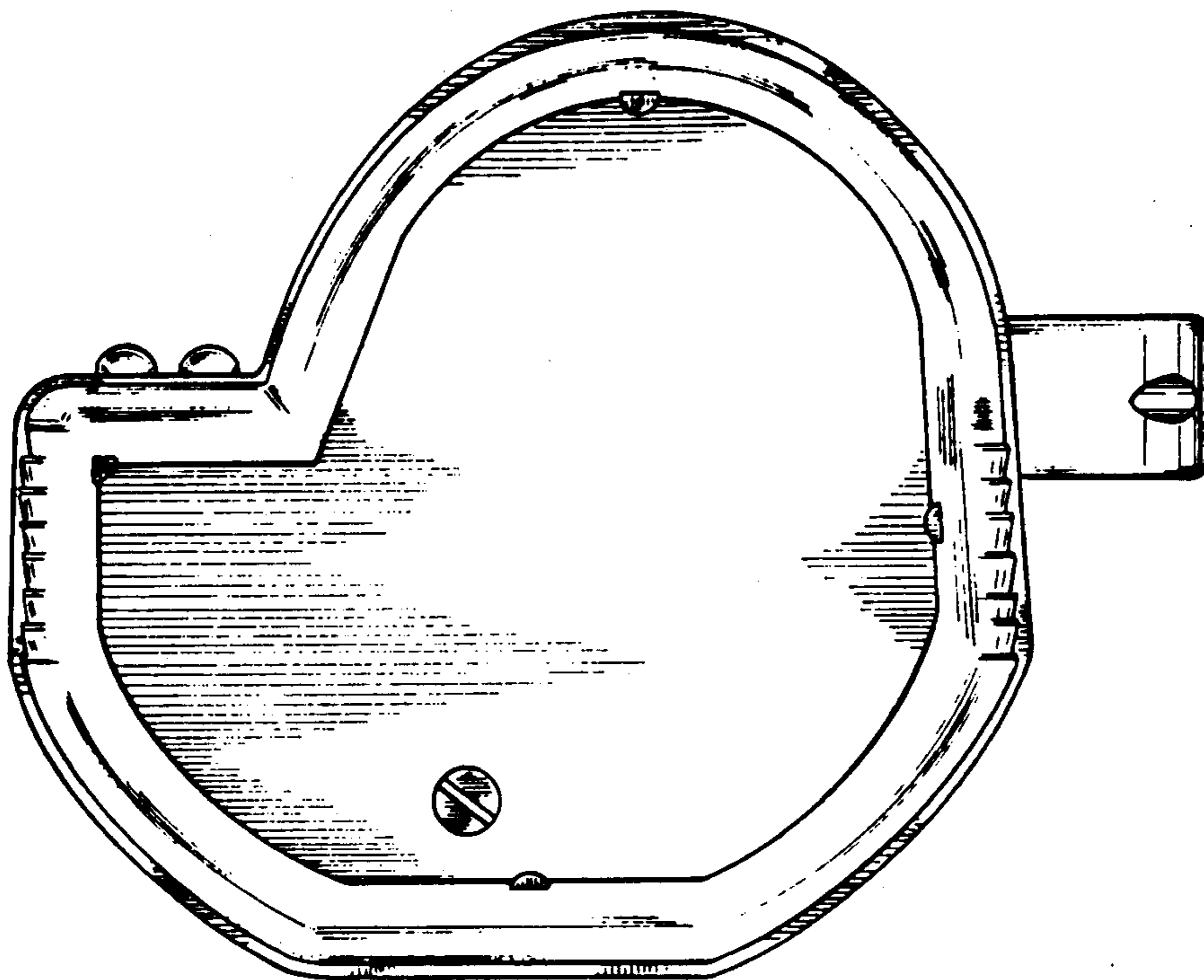


FIG. 7

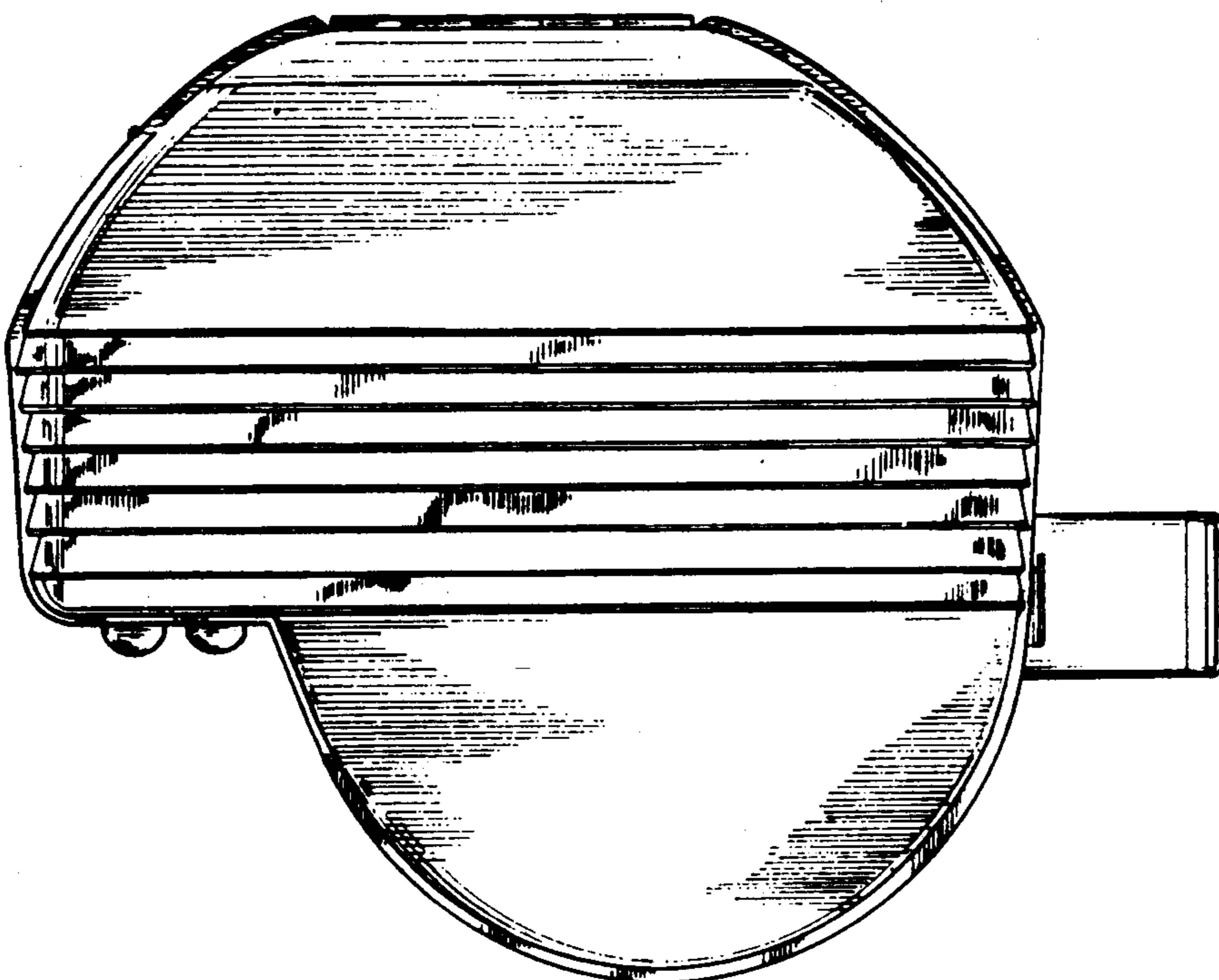


FIG. 6