

[54] SHOWER AND TUB CADDY

[75] Inventor: William W. Emery, Berkeley Heights, N.J.

[73] Assignee: Better Sleep Manufacturing Co., Berkeley Heights, N.J.

[**] Term: 14 Years

[21] Appl. No.: 431,977

[22] Filed: Nov. 6, 1989

[52] U.S. Cl. D6/525

[58] Field of Search D6/524-525, D6/527, 566; 211/13, 49.1, 60.1, 70.6, 71, 74-75, 86-88, 90, 126, 134, 181; 248/108-109, 175-176, 235

[56] References Cited

U.S. PATENT DOCUMENTS

- D. 251,522 4/1979 Chapman D6/525
- D. 294,902 3/1988 Sussman D6/525

- D. 315,840 4/1991 Emery D6/525
- 3,789,996 2/1974 Stroh 211/181 X
- 3,923,162 12/1975 Hussey D6/525

Primary Examiner—Brian N. Vinson
Attorney, Agent, or Firm—Hopgood, Calimafde

[57] CLAIM

The ornamental design for a shower and tub caddy, as shown and described.

DESCRIPTION

FIG. 1 is a top, front, and right side perspective view of a shower and tub caddy showing my new design, the broken-line depiction if suction cups for wall-mounting being for illustrative purposes only and forming no part of the claimed design;

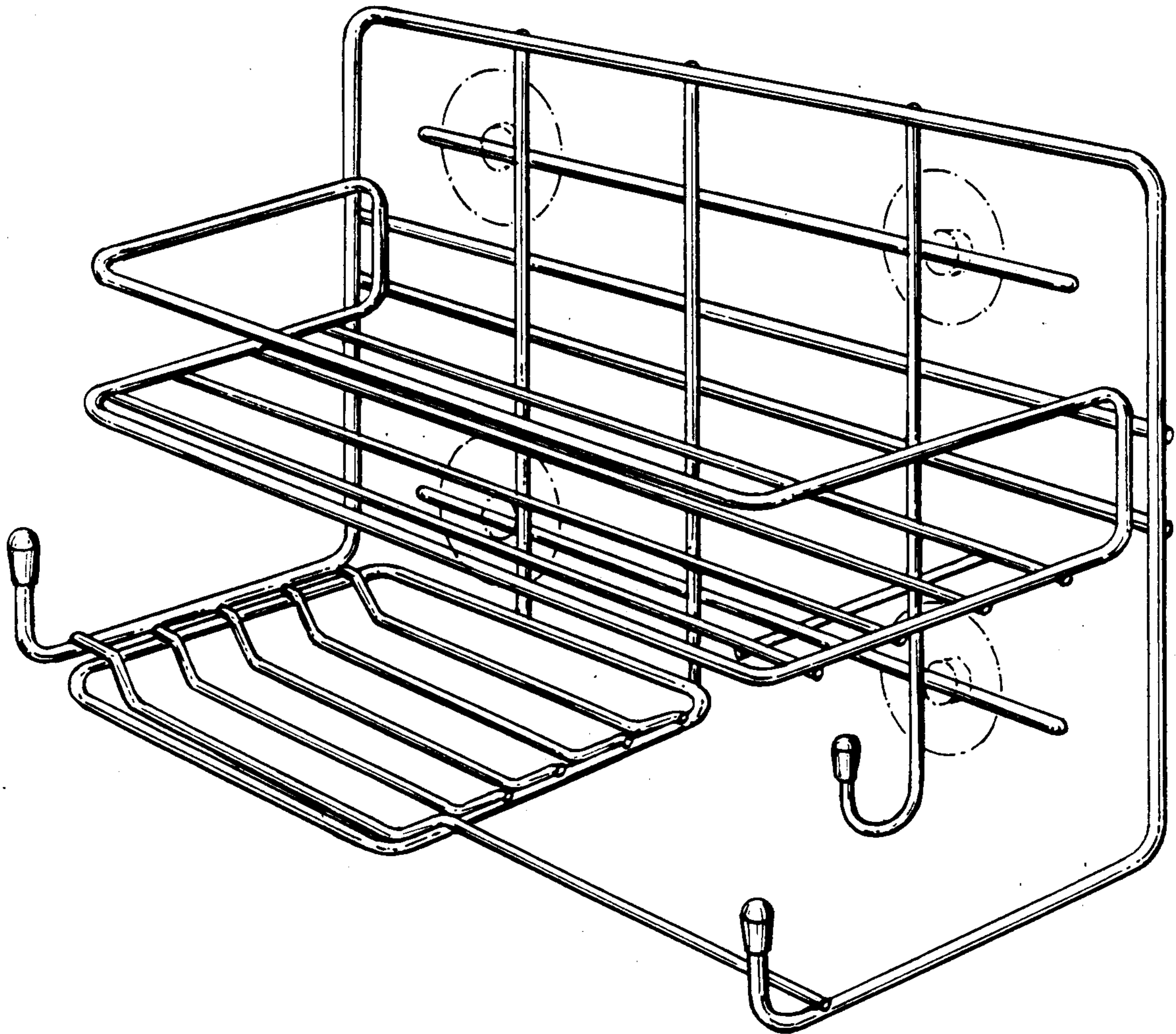
FIG. 2 is a top plan view thereof;

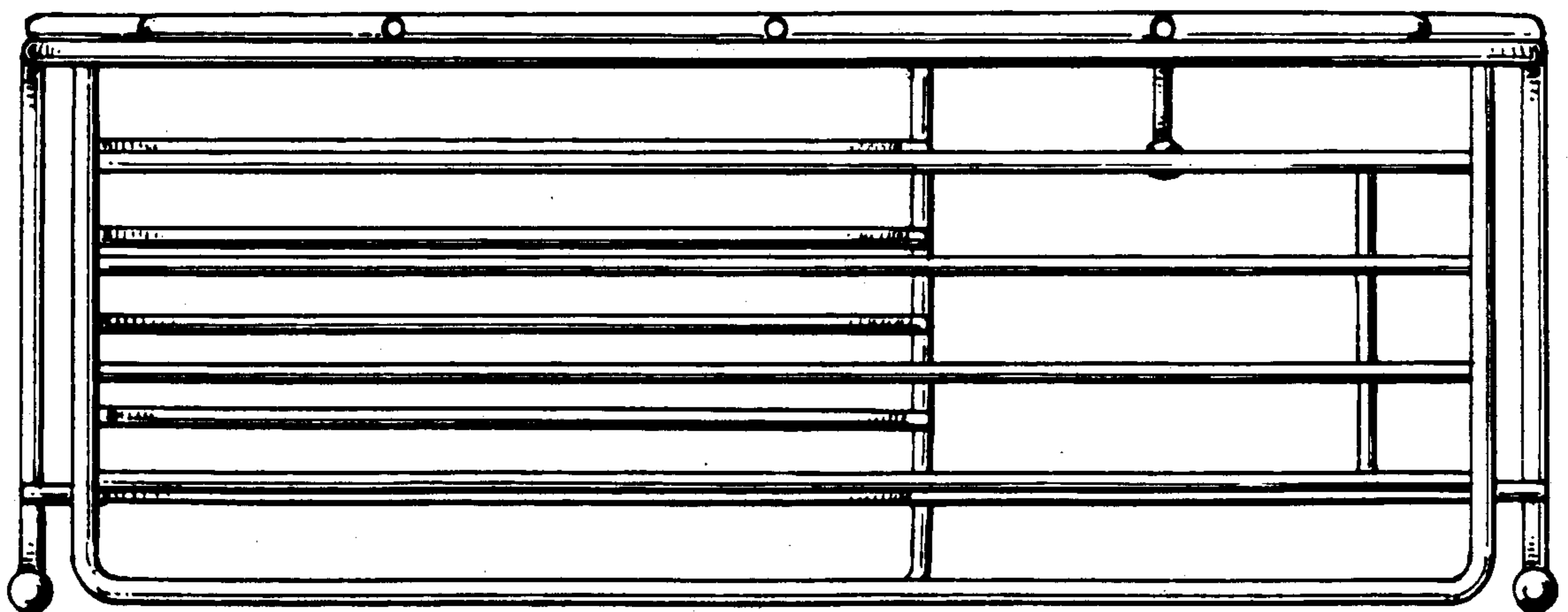
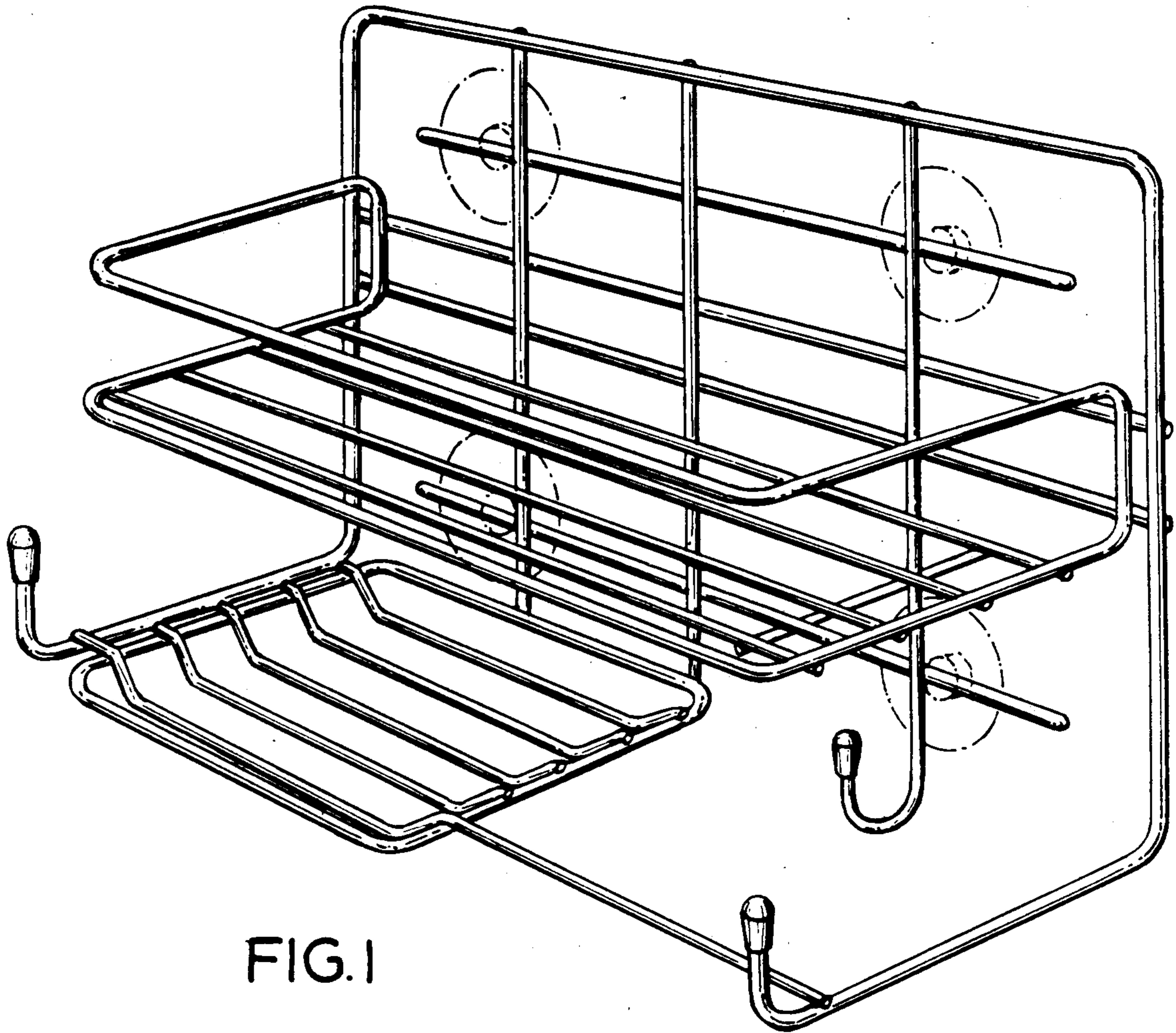
FIG. 3 is a front elevational view thereof;

FIG. 4 is a left side elevational view thereof;

FIG. 5 is a rear elevational view thereof; and

FIG. 6 is a bottom plan view thereof.





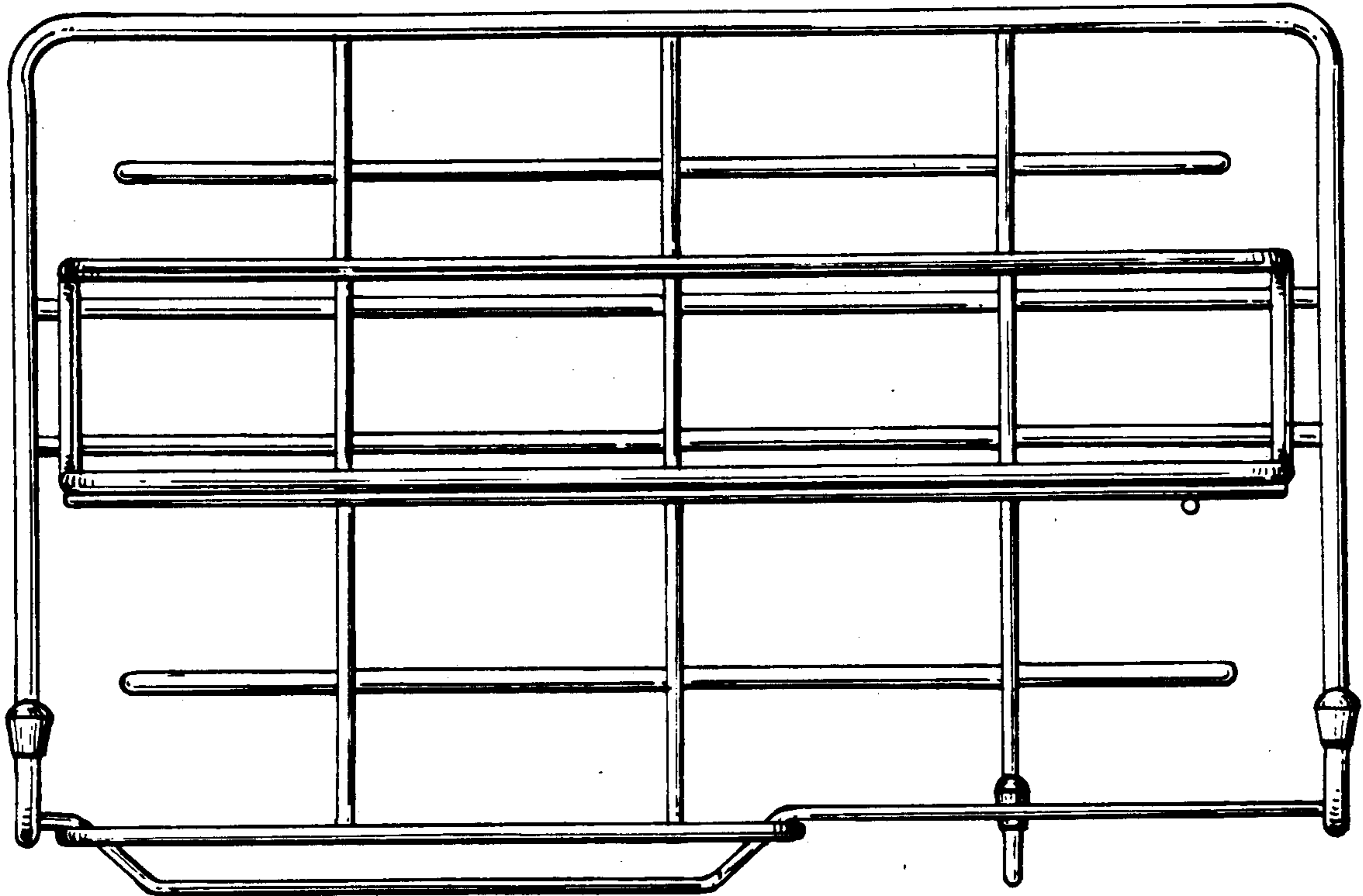


FIG. 3

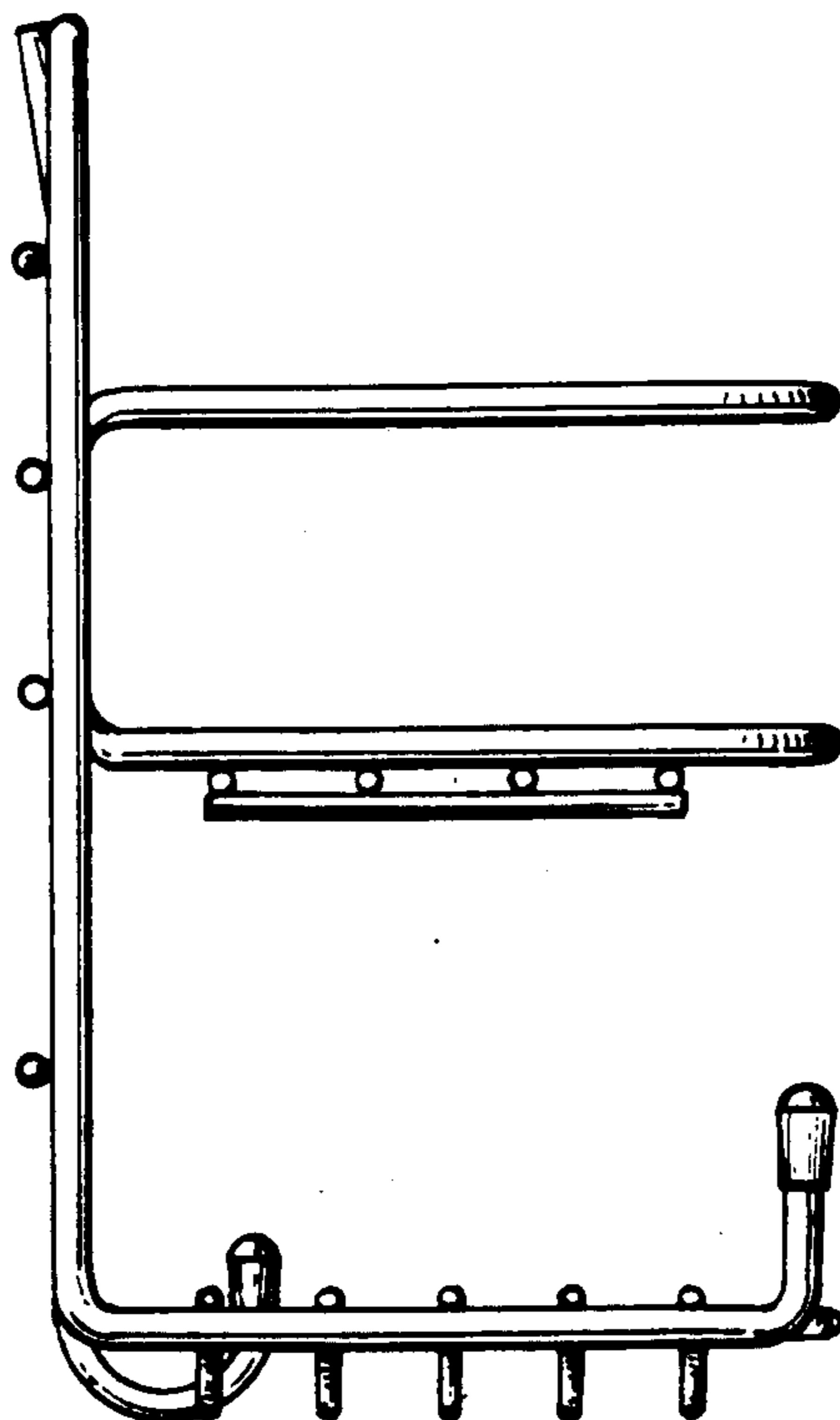


FIG. 4

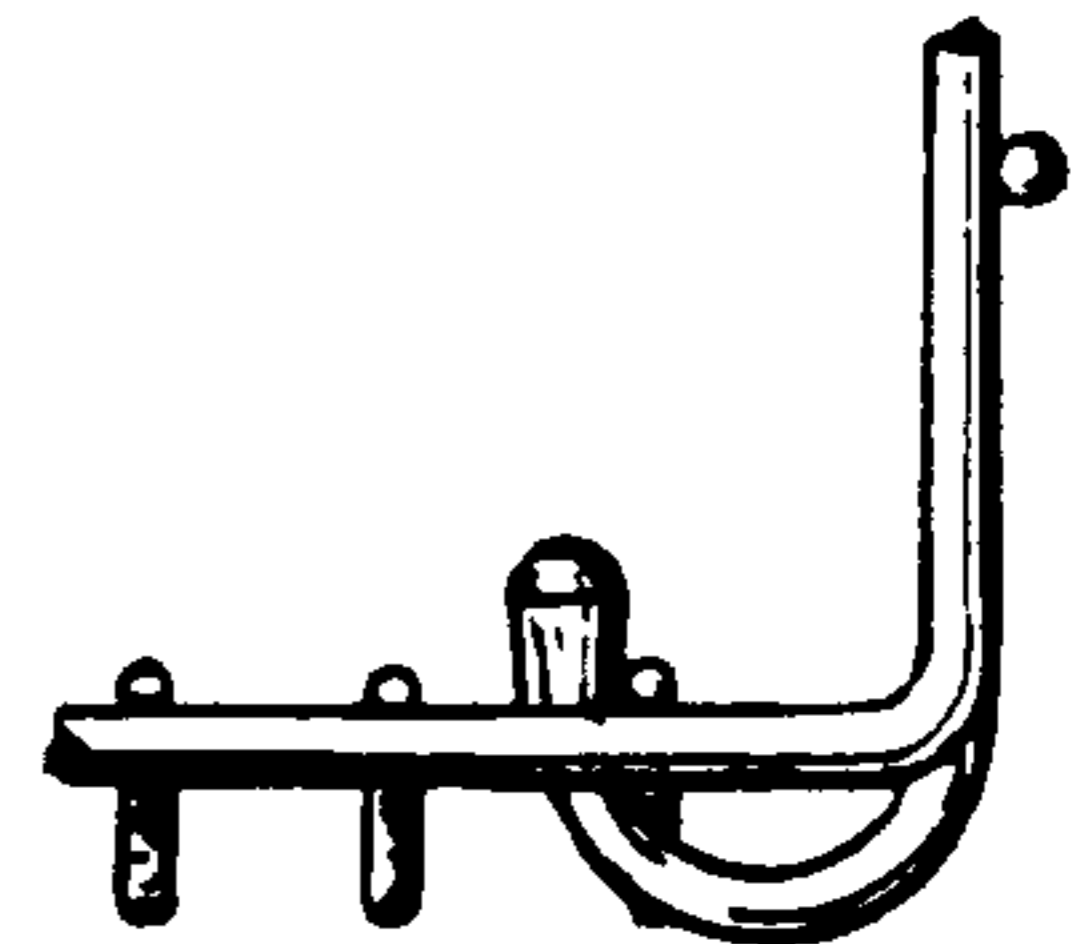


FIG. 4A

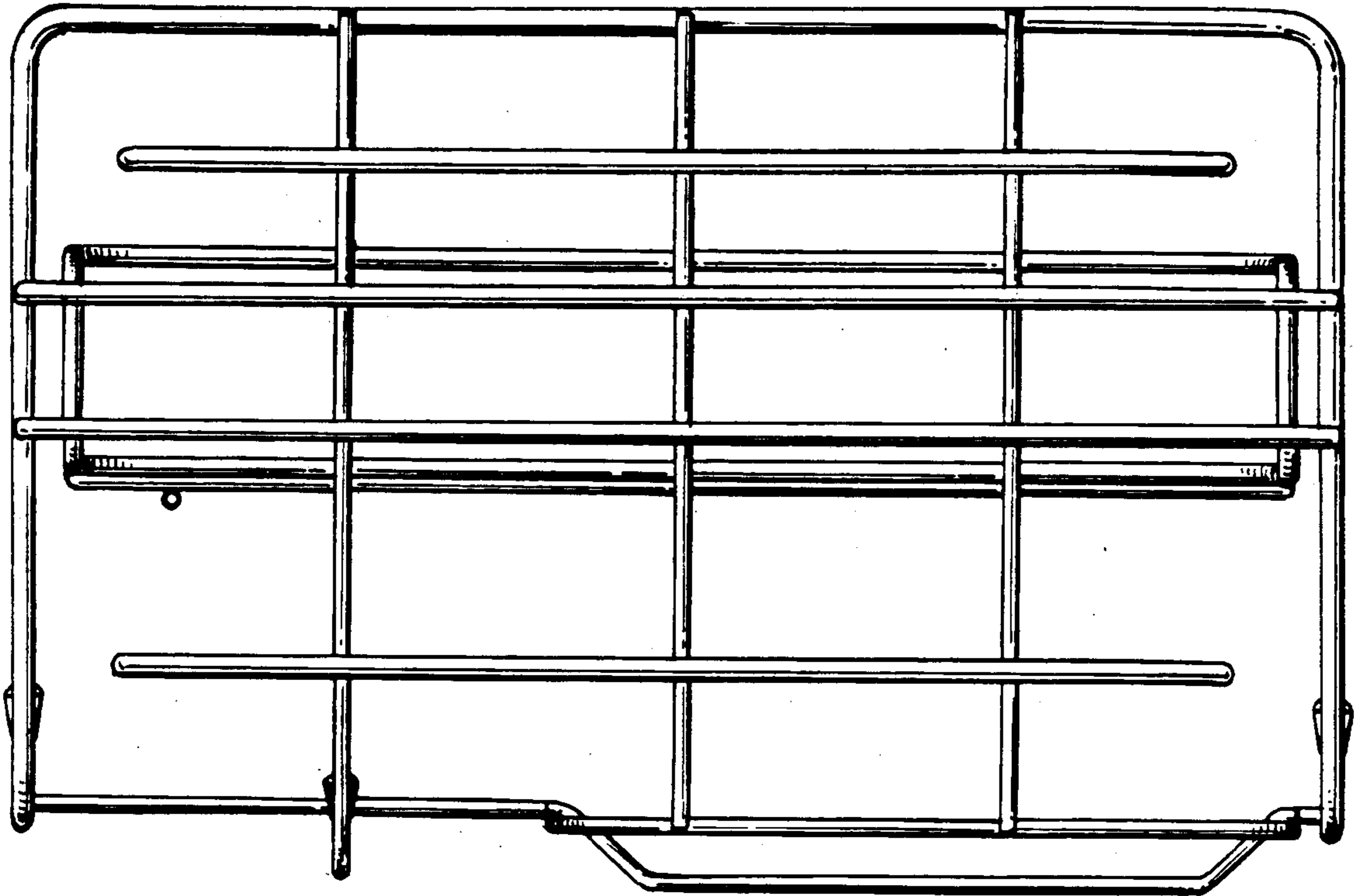


FIG. 5

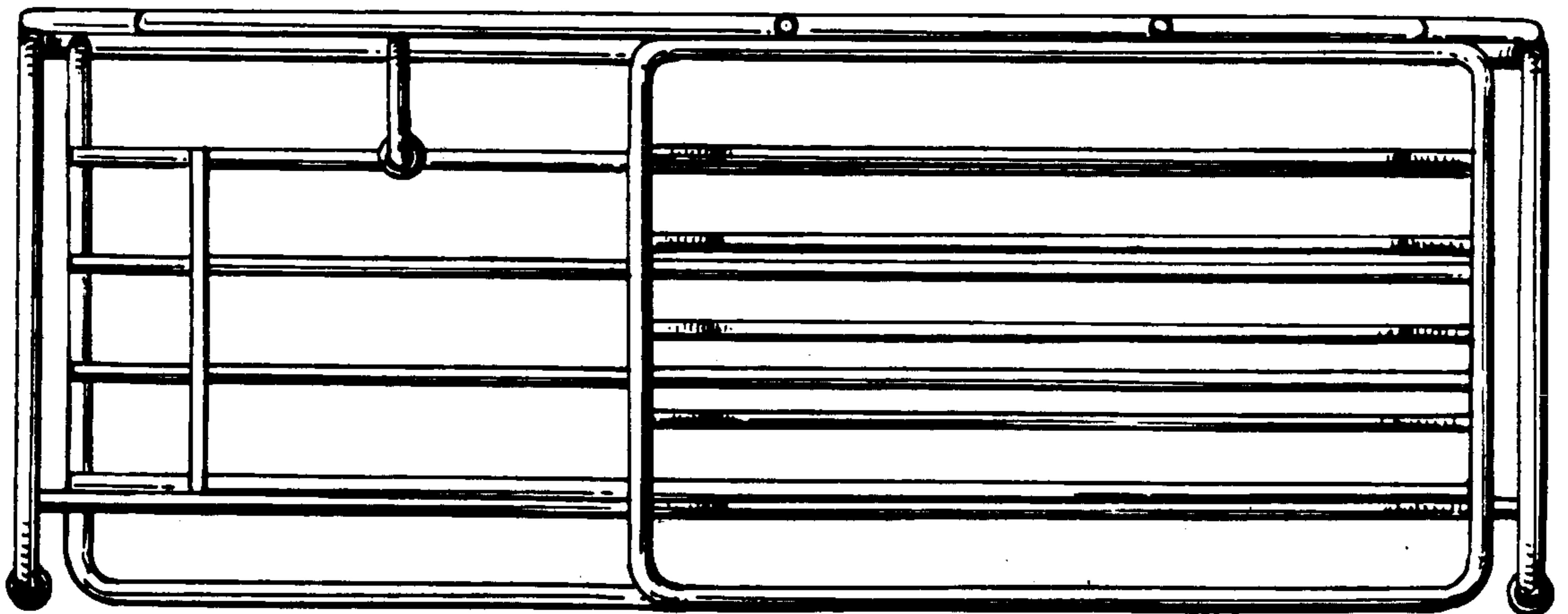


FIG. 6