

[54] HOOK

[75] Inventors: John P. Chap, Lemont; Dorothy Greenberg, Oak Park, both of Ill.

[73] Assignee: Selfix, Inc., Chicago, Ill.

[\*\*] Term: 14 Years

[21] Appl. No.: 231,236

[22] Filed: Aug. 12, 1988

[52] U.S. Cl. .... D6/323

[58] Field of Search ..... D6/323, 524, 553; D8/367, 371; 248/205.3, 223.4, 304

[56] References Cited

U.S. PATENT DOCUMENTS

D. 173,820	1/1955	Simpson	.....	D6/323
D. 235,401	6/1975	Tegner et al.	.....	D6/323
D. 256,867	9/1980	Ryan et al.	.....	D6/323
D. 272,697	2/1984	Shames et al.	.....	D8/367
D. 291,630	9/1987	Chap	.....	D6/323

OTHER PUBLICATIONS

Selfix Catalog, 1987, No. 2120, Large Double Hook.

Primary Examiner—Melvin B. Feifer

Assistant Examiner—Philip Hyder

Attorney, Agent, or Firm—Dressler, Goldsmith, Shore, Sutker & Milnamow, Ltd.

[57] CLAIM

The ornamental design for a hook, as shown and described.

DESCRIPTION

FIG. 1 is a perspective view of a hook showing our new design;

FIG. 2 is a left side elevational view thereof, the right side view being identical;

FIG. 3 is a top plan view thereof;

FIG. 4 is a front elevational view thereof;

FIG. 5 is a rear elevational view thereof; and

FIG. 6 is a bottom plan view thereof.

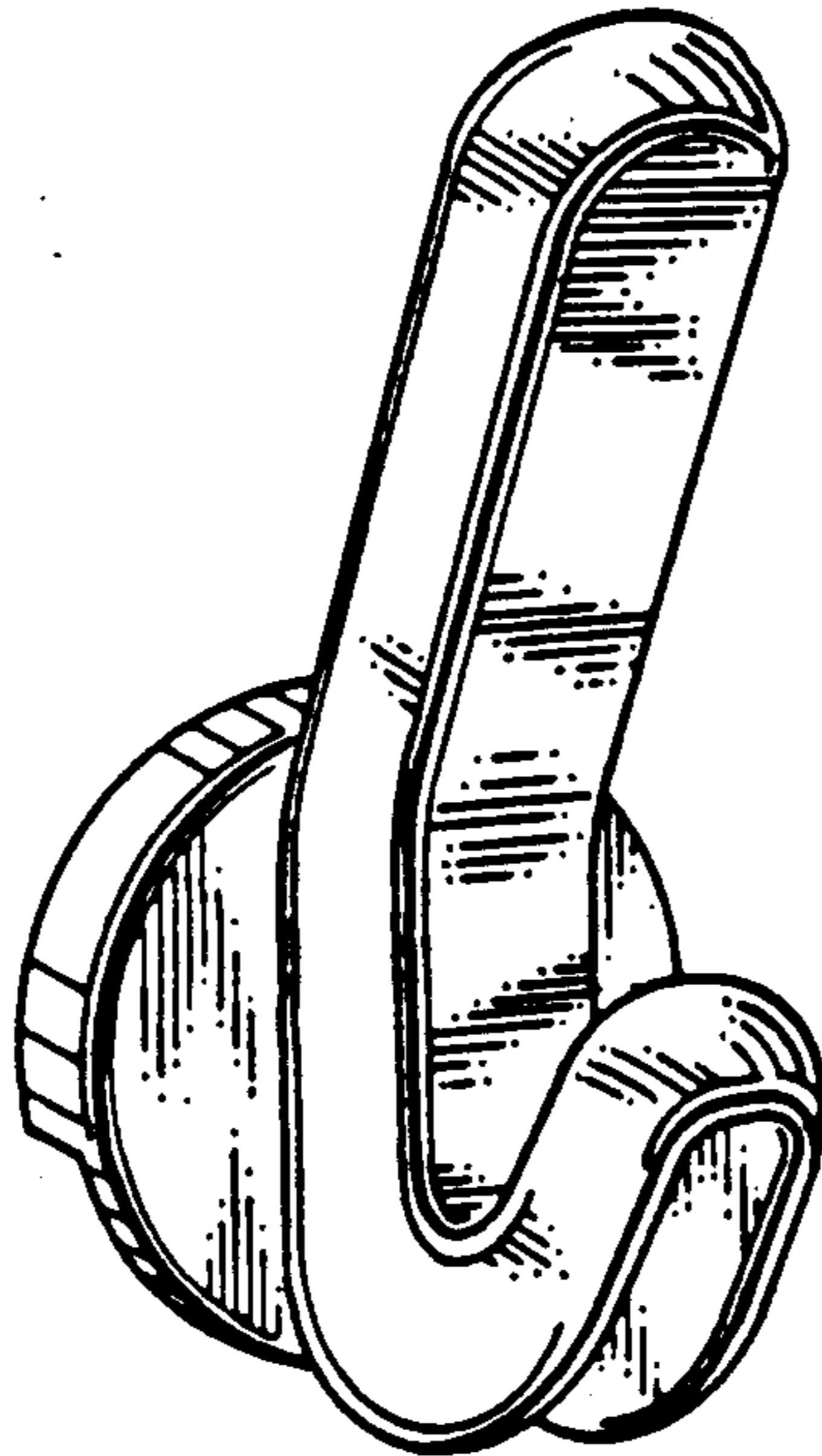


FIG. 1

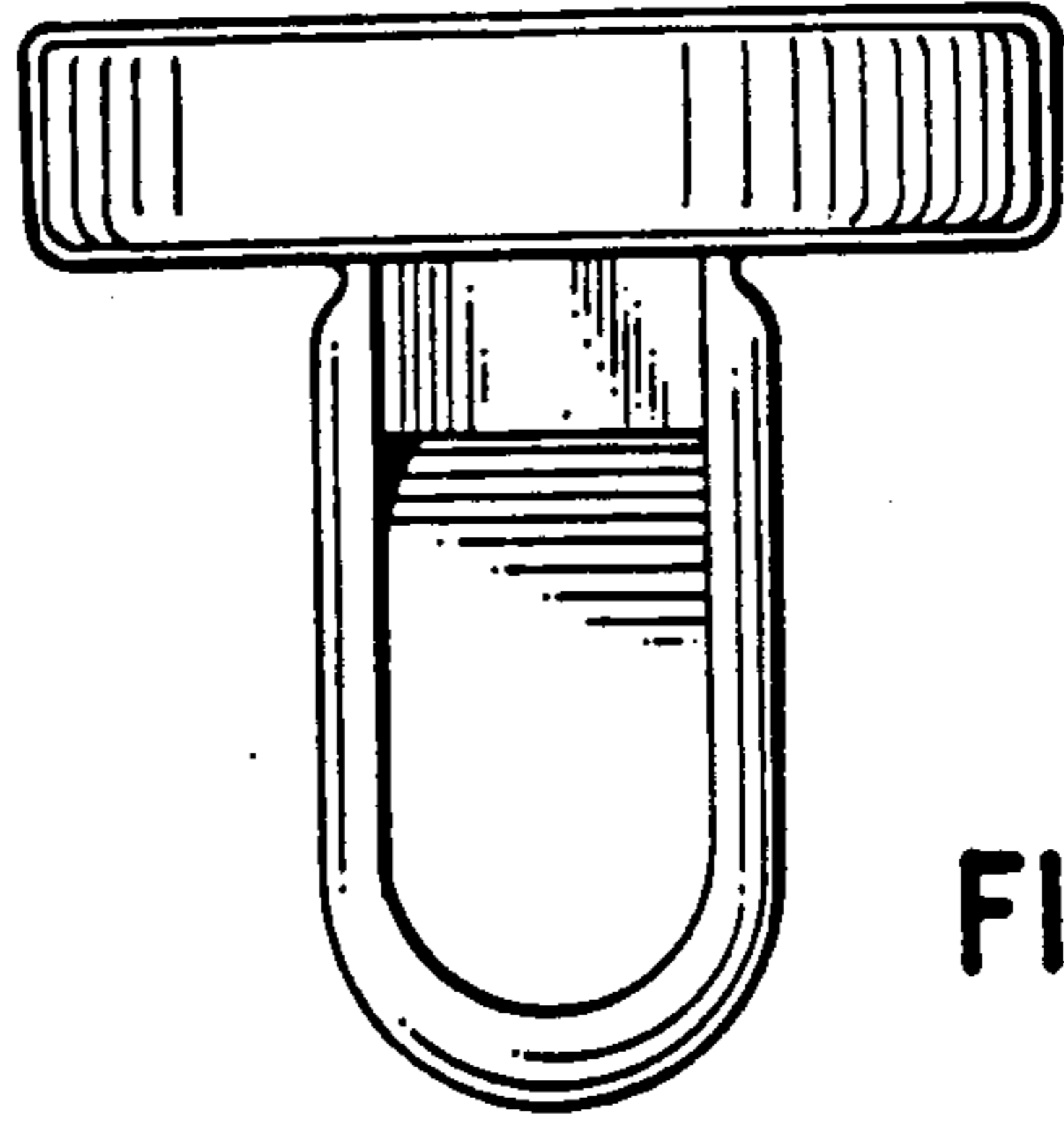
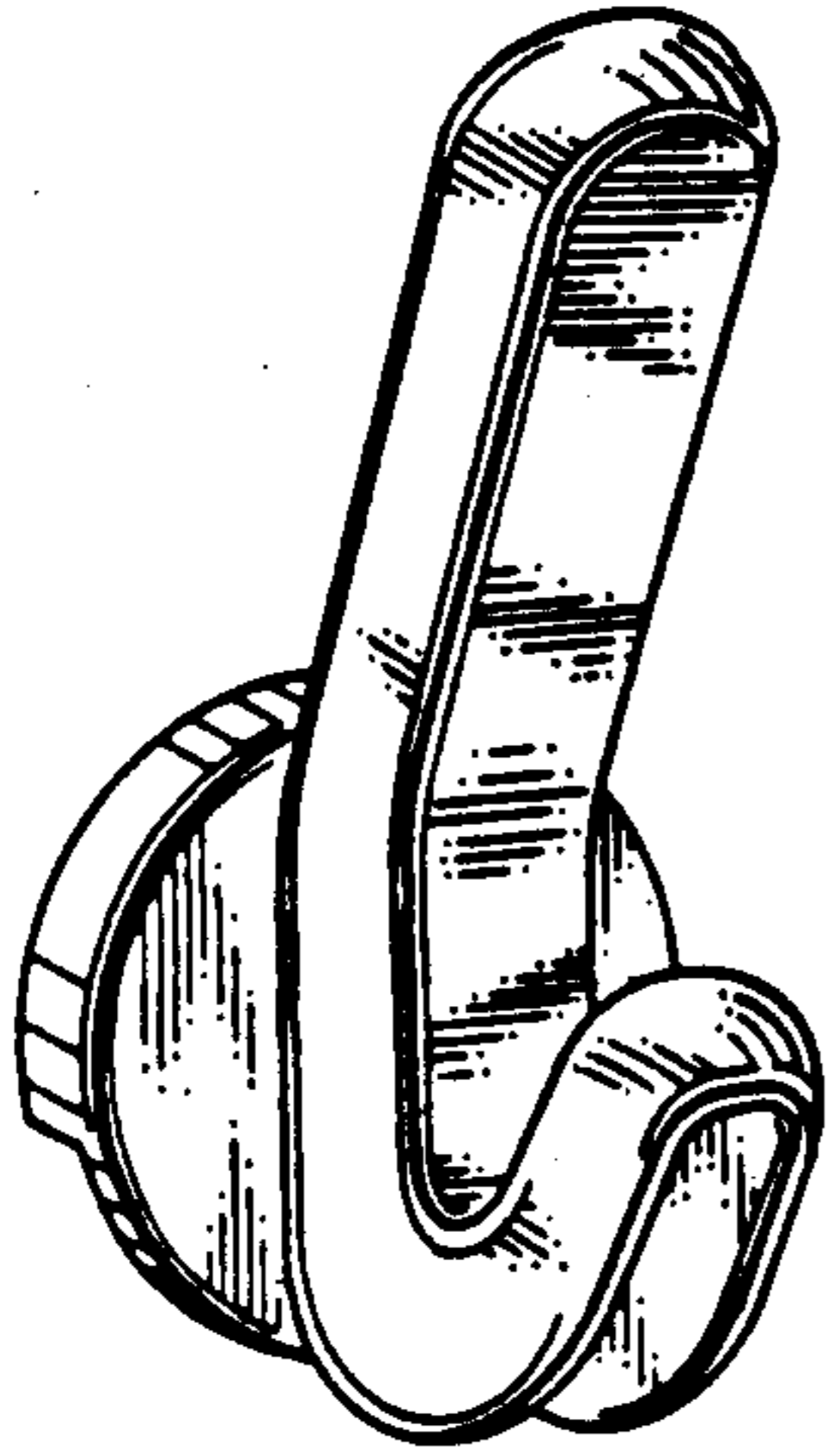


FIG. 3

FIG. 2

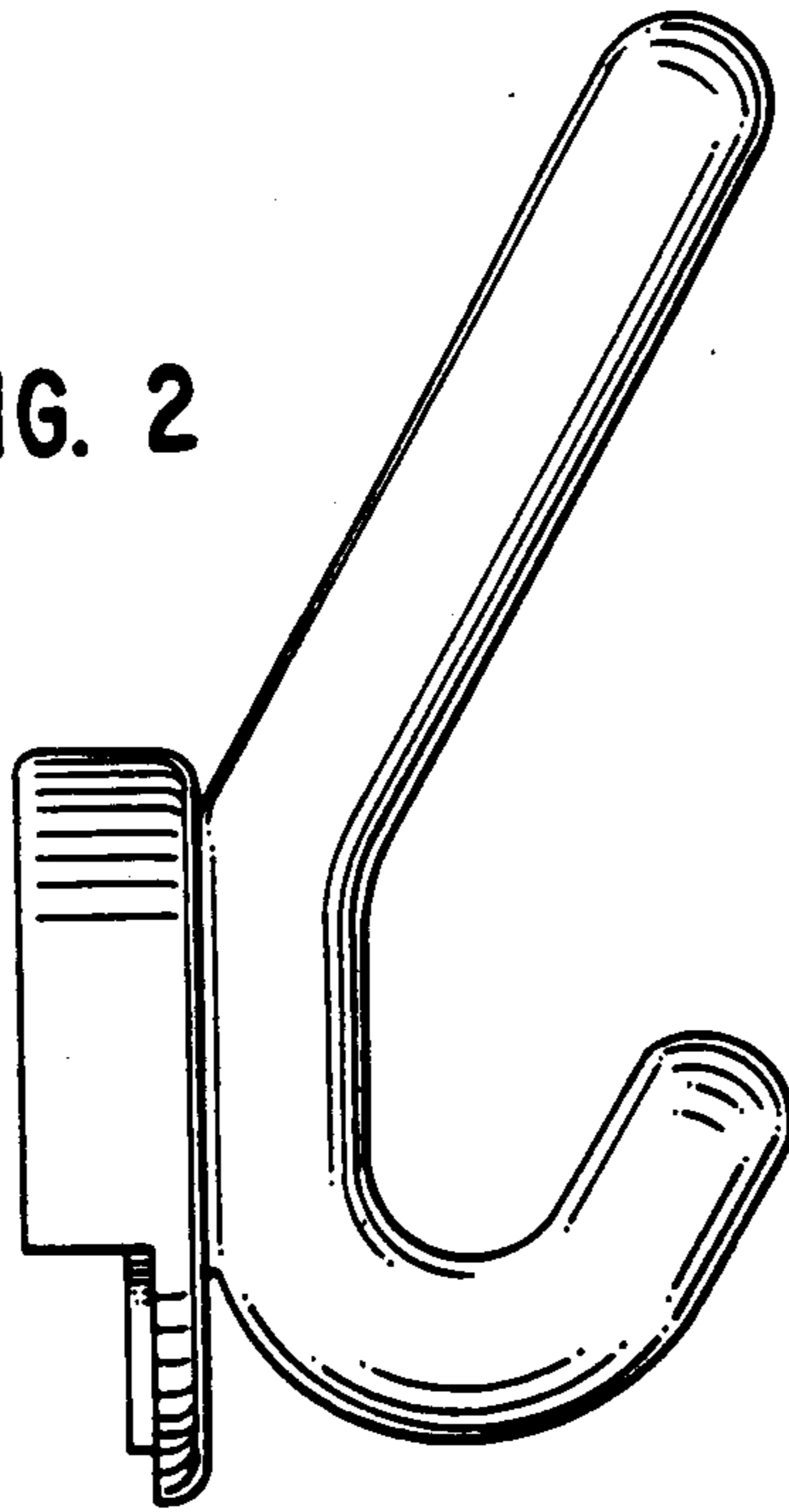


FIG. 4

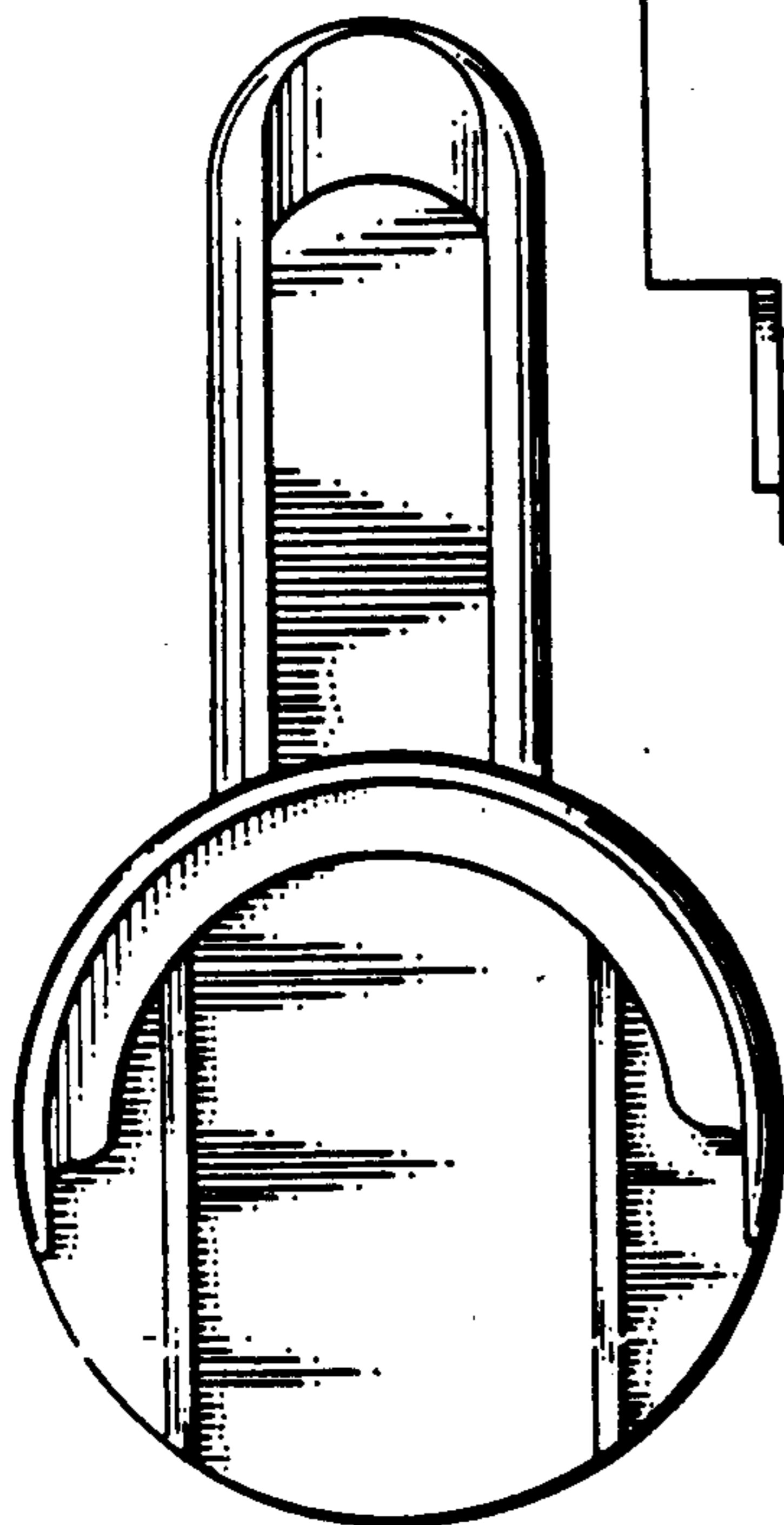
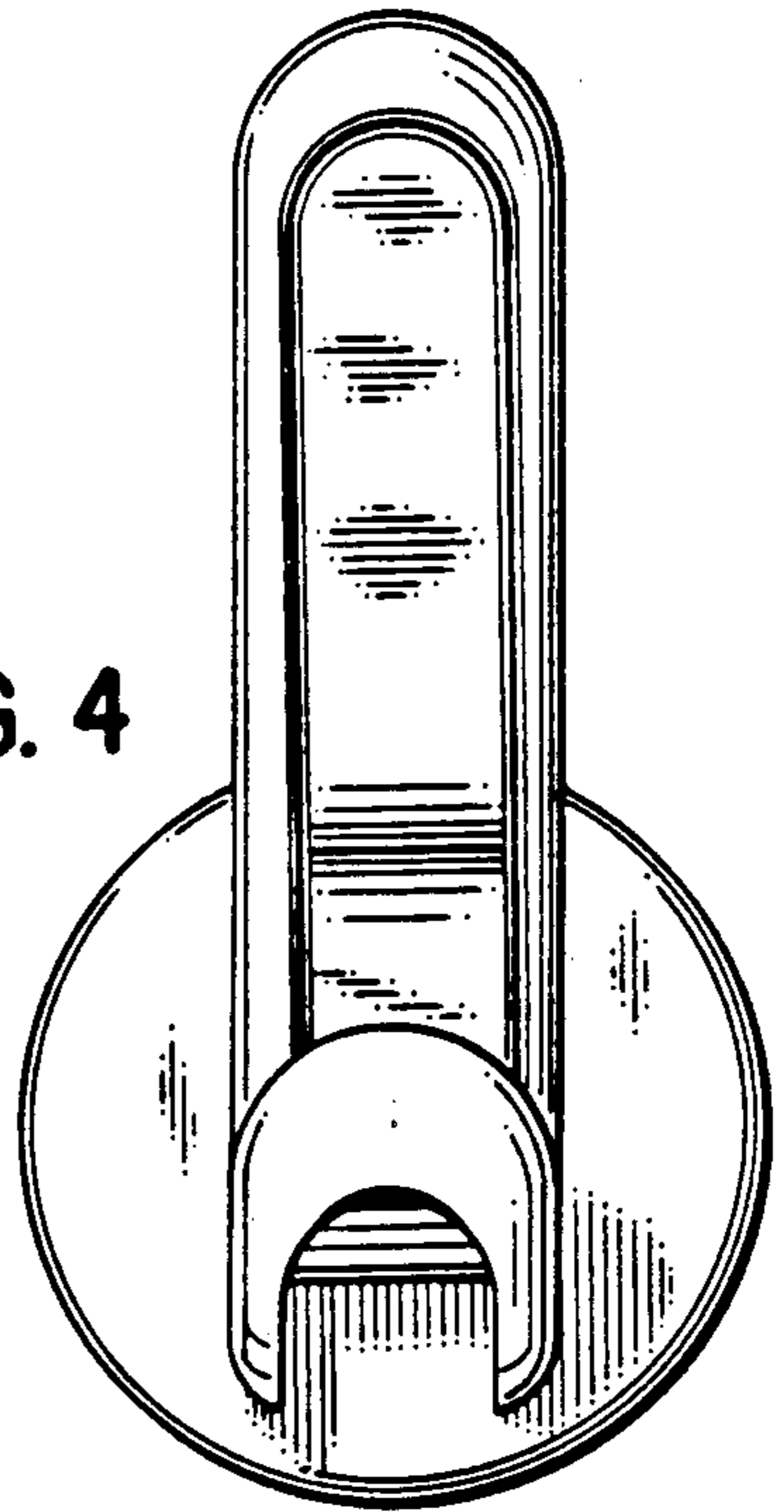


FIG. 5

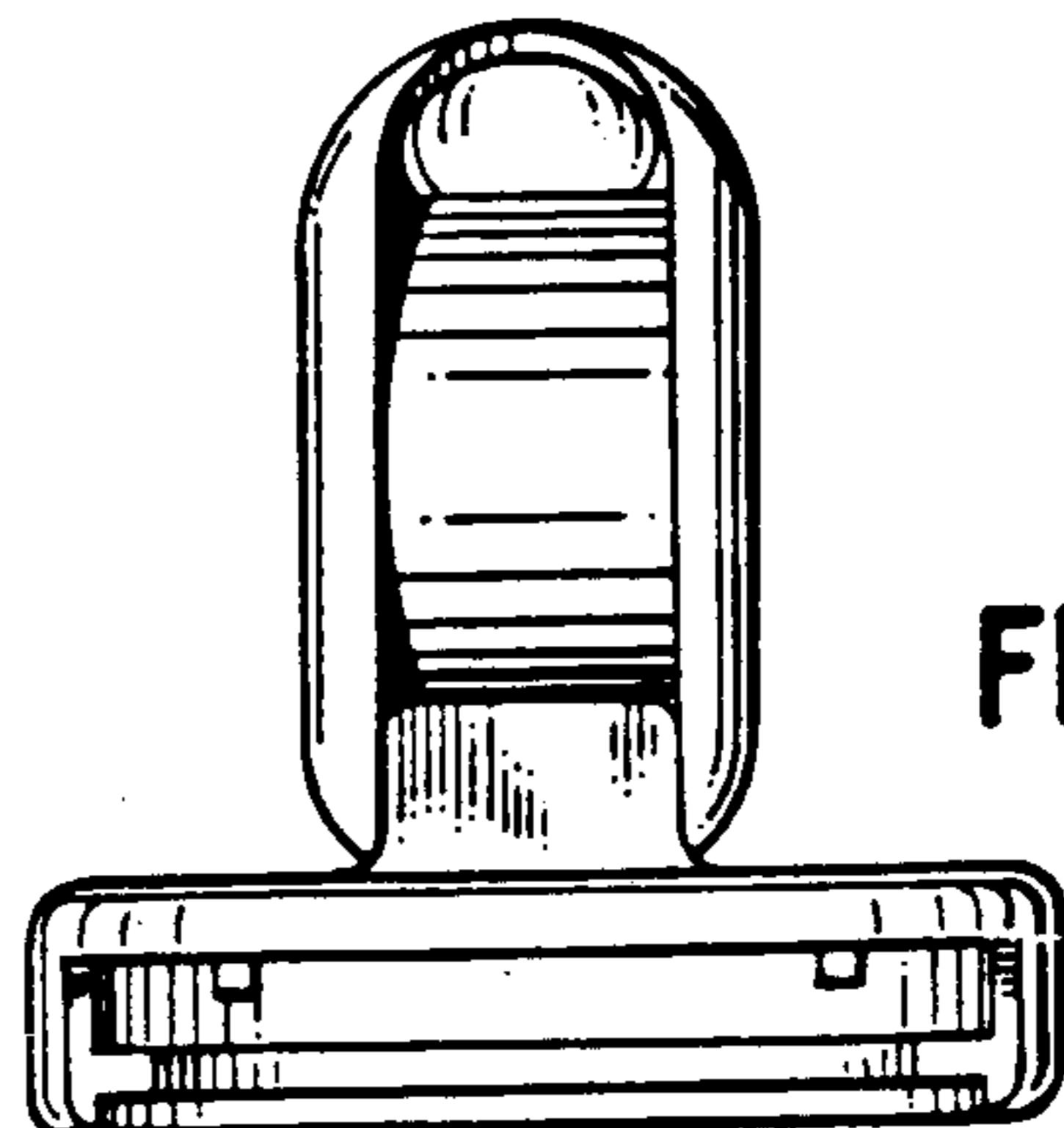


FIG. 6