

[54] GUN CASE

[75] Inventor: **Ralph VanSkiver**, Arlington, Tex.

[73] Assignee: **Doskocil Mfg. Co., Inc.**, Arlington, Tex.

[\*\*] Term: **14 Years**

[21] Appl. No.: **334,225**

[22] Filed: **Apr. 6, 1989**

[52] U.S. Cl. .... **D3/38; D3/36**

[58] Field of Search ..... **D3/38, 36, 37, 73, 74, D3/76; 206/315.11, 315.9, 317, 446, 315.1, 523; 224/915, 918, 917, 901, 913, 259, 257, 202, 205, 911; 220/4.24; 211/60.1, 64, 70.5; 190/115**

[56] **References Cited**

**U.S. PATENT DOCUMENTS**

- D. 222,688 11/1971 Canton ..... D3/36
- D. 231,151 4/1974 Racketcase ..... D3/73 X

- D. 262,416 12/1981 Bianchi ..... D3/38
- D. 278,189 4/1985 Frydenberg ..... D3/38
- D. 288,864 3/1987 Kaplan et al. .... D3/73

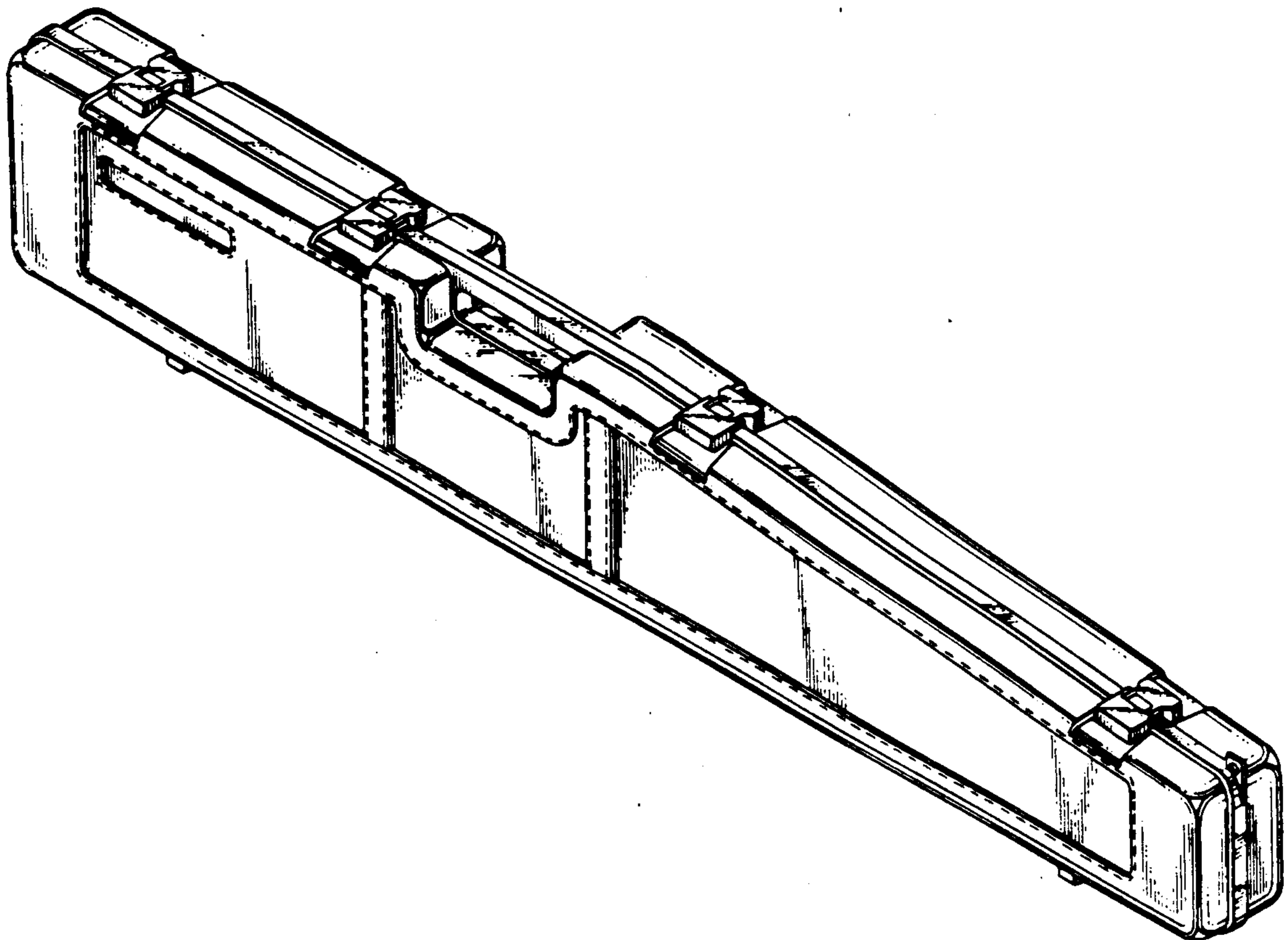
*Primary Examiner*—Louis S. Zarfaz  
*Assistant Examiner*—M. N. Pandozzi  
*Attorney, Agent, or Firm*—Andrew J. Dillon

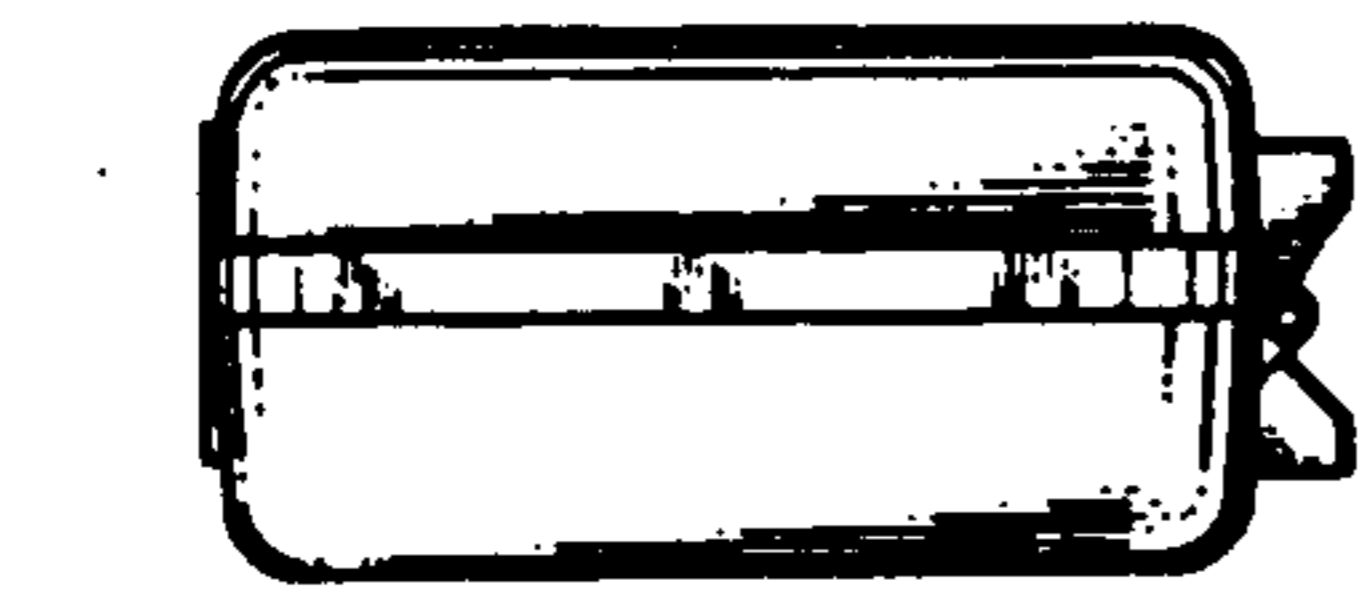
[57] **CLAIM**

The ornamental design for a gun case, as shown and described.

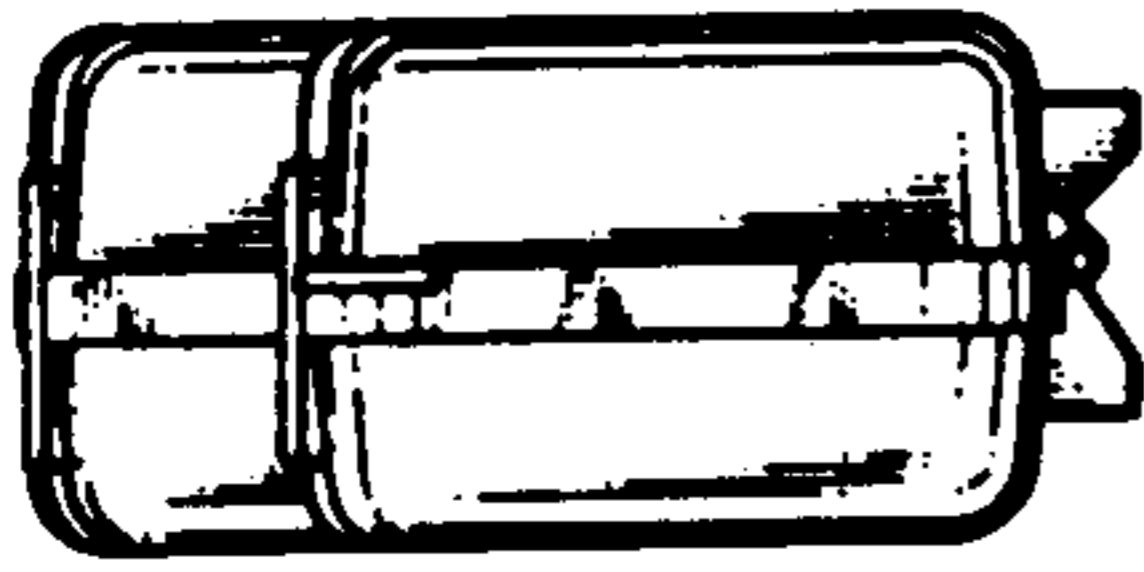
**DESCRIPTION**

- FIG. 1 is a perspective view of a gun case showing my new design;
- FIG. 2 is a top plan view thereof;
- FIG. 3 is a front elevational view thereof;
- FIG. 4 is a bottom plan view thereof;
- FIG. 5 is a rear elevational view;
- FIG. 6 is a right side elevational view thereof;
- FIG. 7 is a left side elevational view thereof.

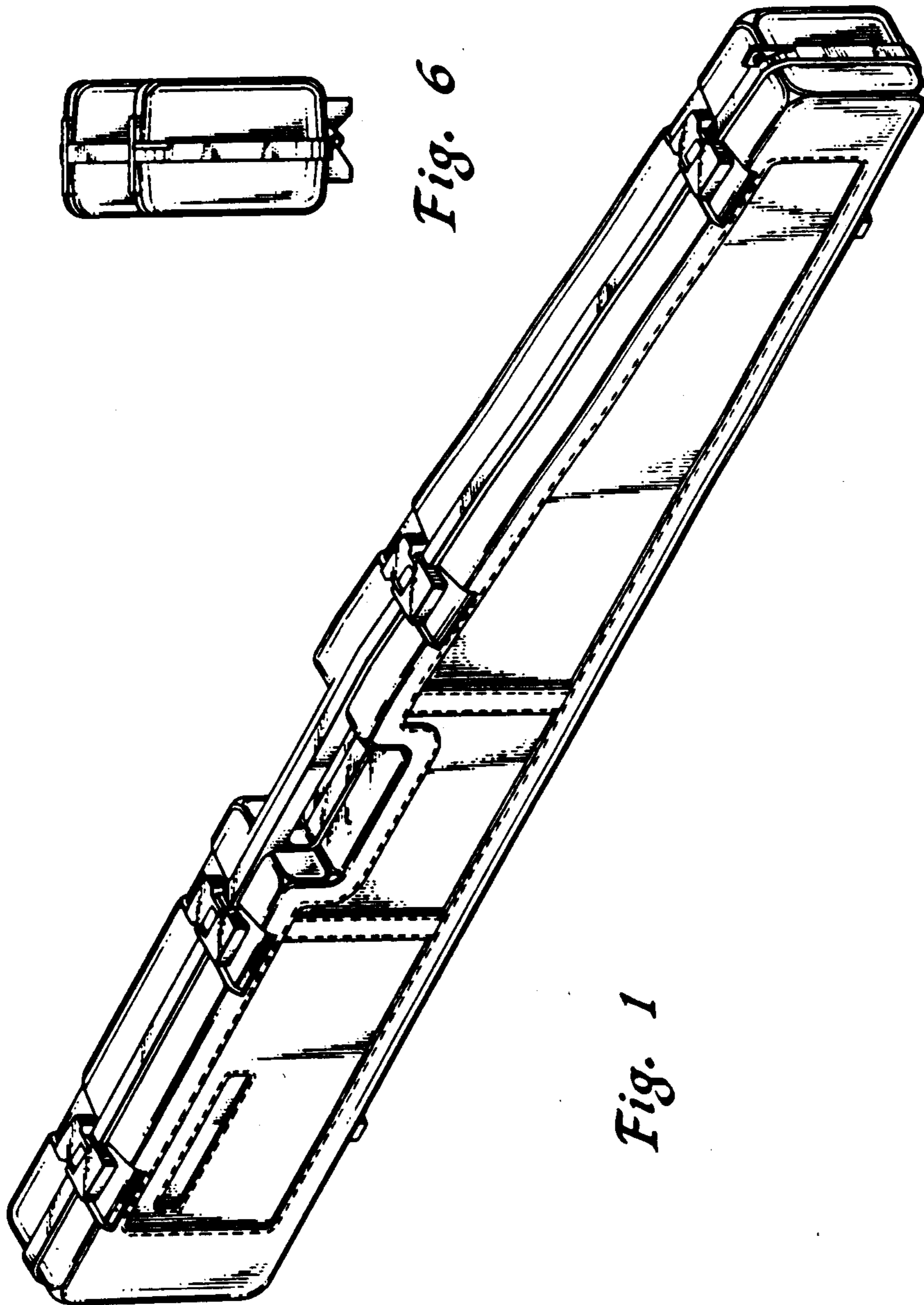




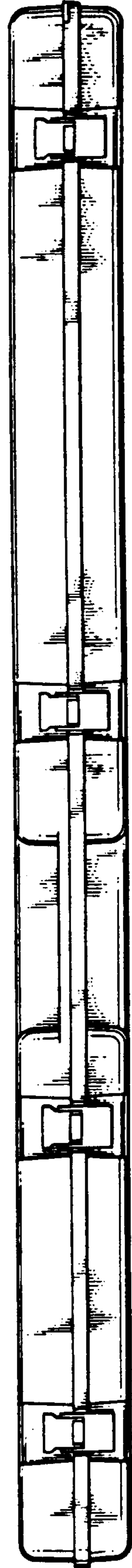
*Fig. 7*



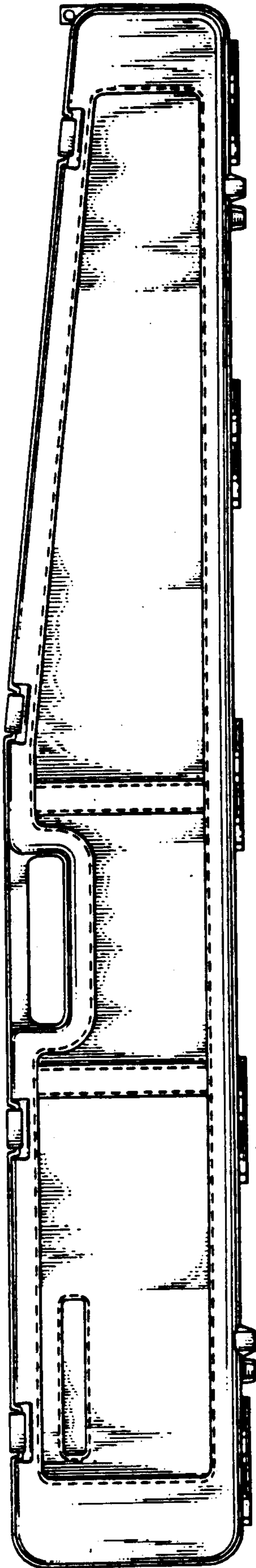
*Fig. 6*



*Fig. 1*



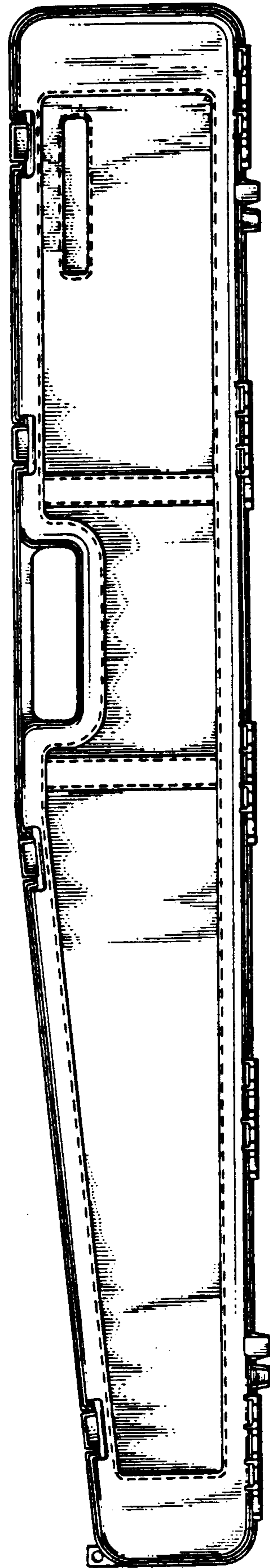
*Fig. 2*



*Fig. 3*



*Fig. 4*



*Fig. 5*