

[54] NOTCH FOR AN UMBRELLA

[76] Inventor: Mark J. S. Ma, 12th Floor, 578 Kwang Fu South Road, Taipei, Taiwan

[**] Term: 14 Years

[21] Appl. No.: 351,551

[22] Filed: May 15, 1989

[52] U.S. Cl. D3/10; 135/28

[58] Field of Search D3/3-17; 135/15.1, 16, 17, 19.5, 20.3, 22-24, 28, 37, 39, 41

[56] References Cited

U.S. PATENT DOCUMENTS

- D. 27,777 10/1897 Sparry D3/10
- D. 56,668 11/1920 Levin D3/10

- D. 231,955 6/1974 Weber D3/10
- 1,808,610 6/1931 Roy 135/28
- 2,008,465 7/1935 Norris et al. 135/28
- 3,455,312 7/1969 Vogel 135/23

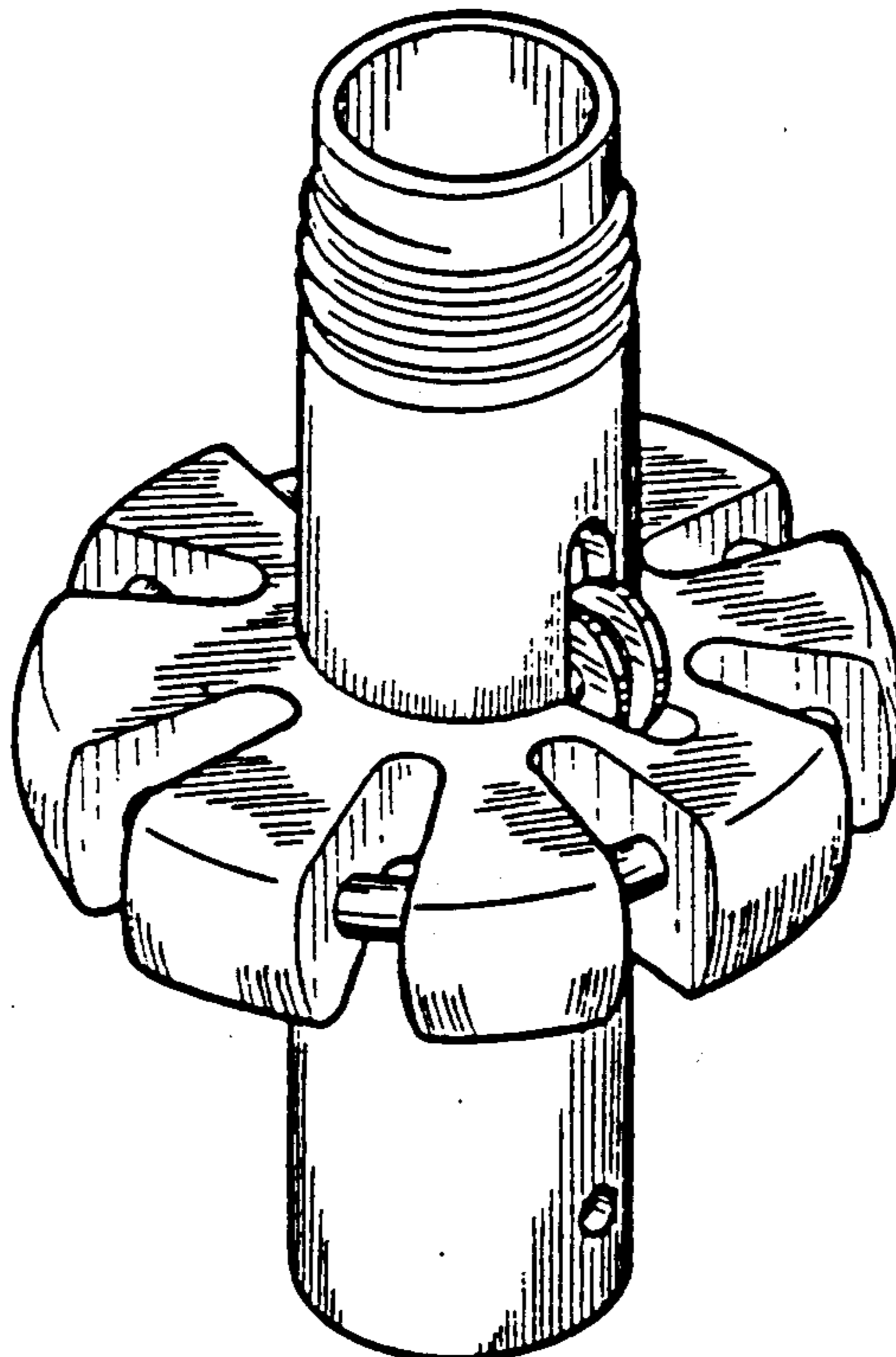
Primary Examiner—Louis S. Zarfes
Attorney, Agent, or Firm—Bacon & Thomas

[57] CLAIM

The ornamental design for a notch for an umbrella, as shown and described.

DESCRIPTION

FIG. 1 is a perspective view of a notch for an umbrella showing my new design;
 FIG. 2 is a front elevational view thereof;
 FIG. 3 is a rear elevational view thereof;
 FIG. 4 is a top plan view thereof;
 FIG. 5 is a bottom plan view thereof;
 FIG. 6 is a right side elevational view thereof;
 FIG. 7 is a left side elevational view thereof.



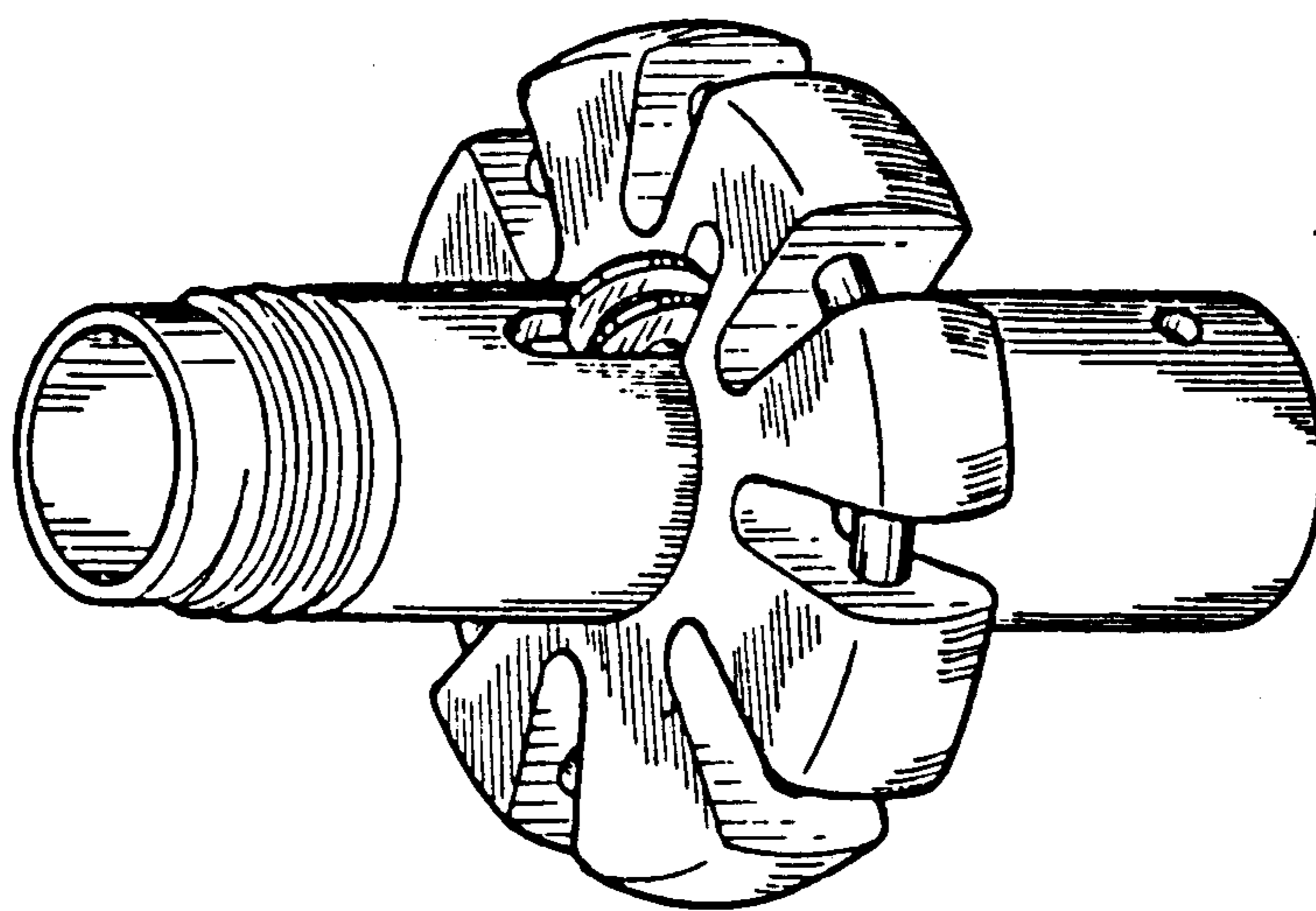


FIG. 1

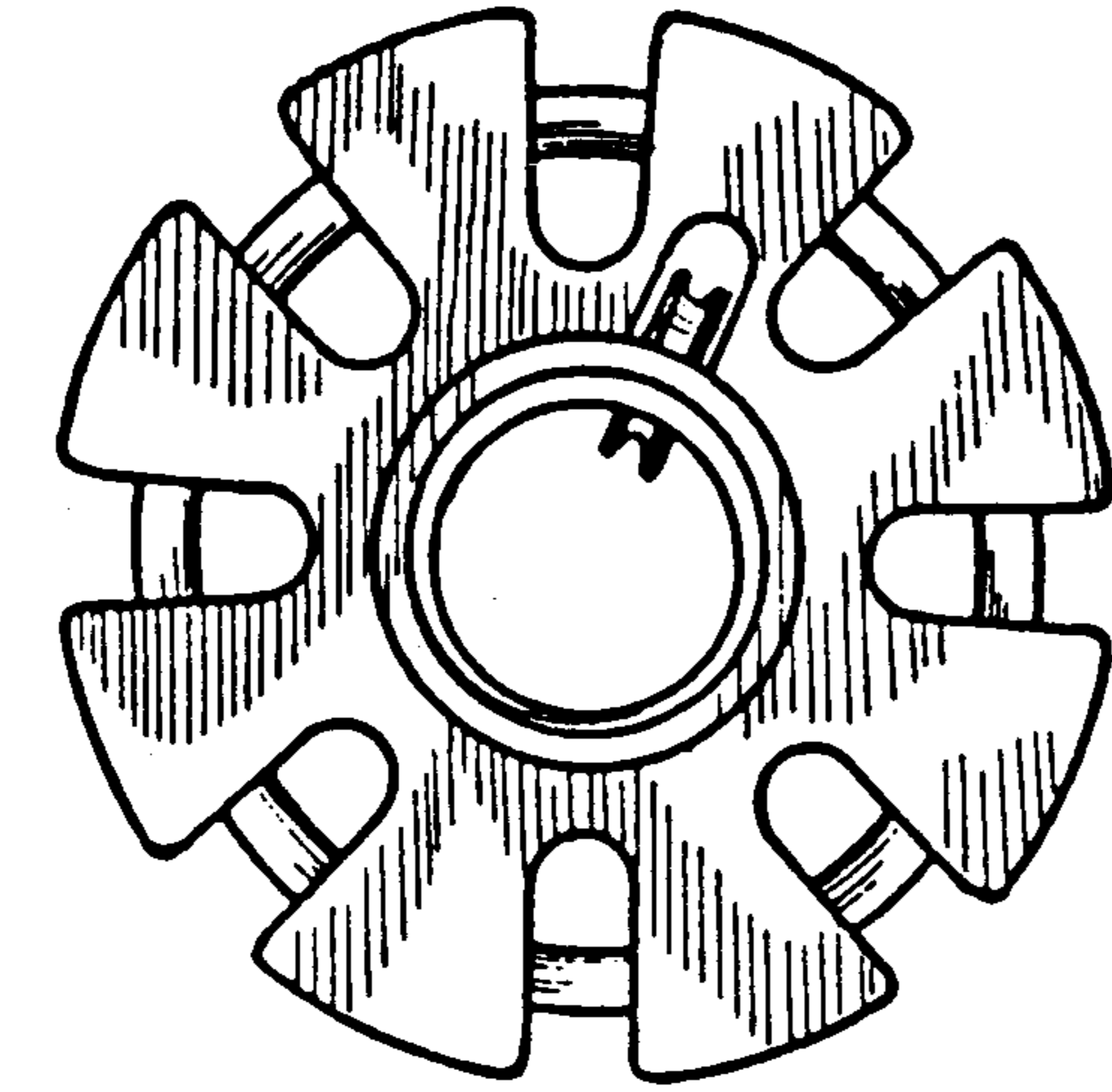


FIG. 4

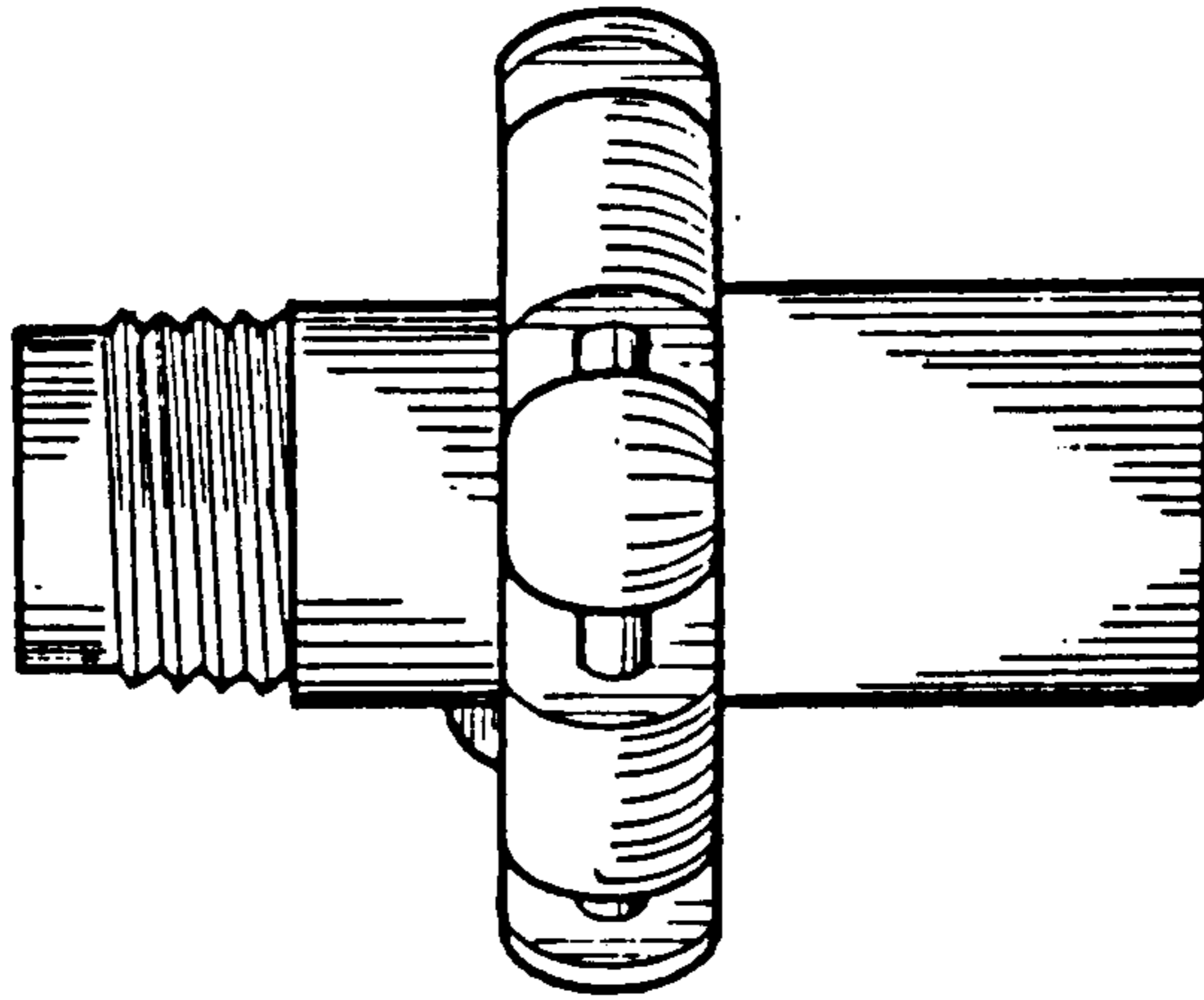


FIG. 3

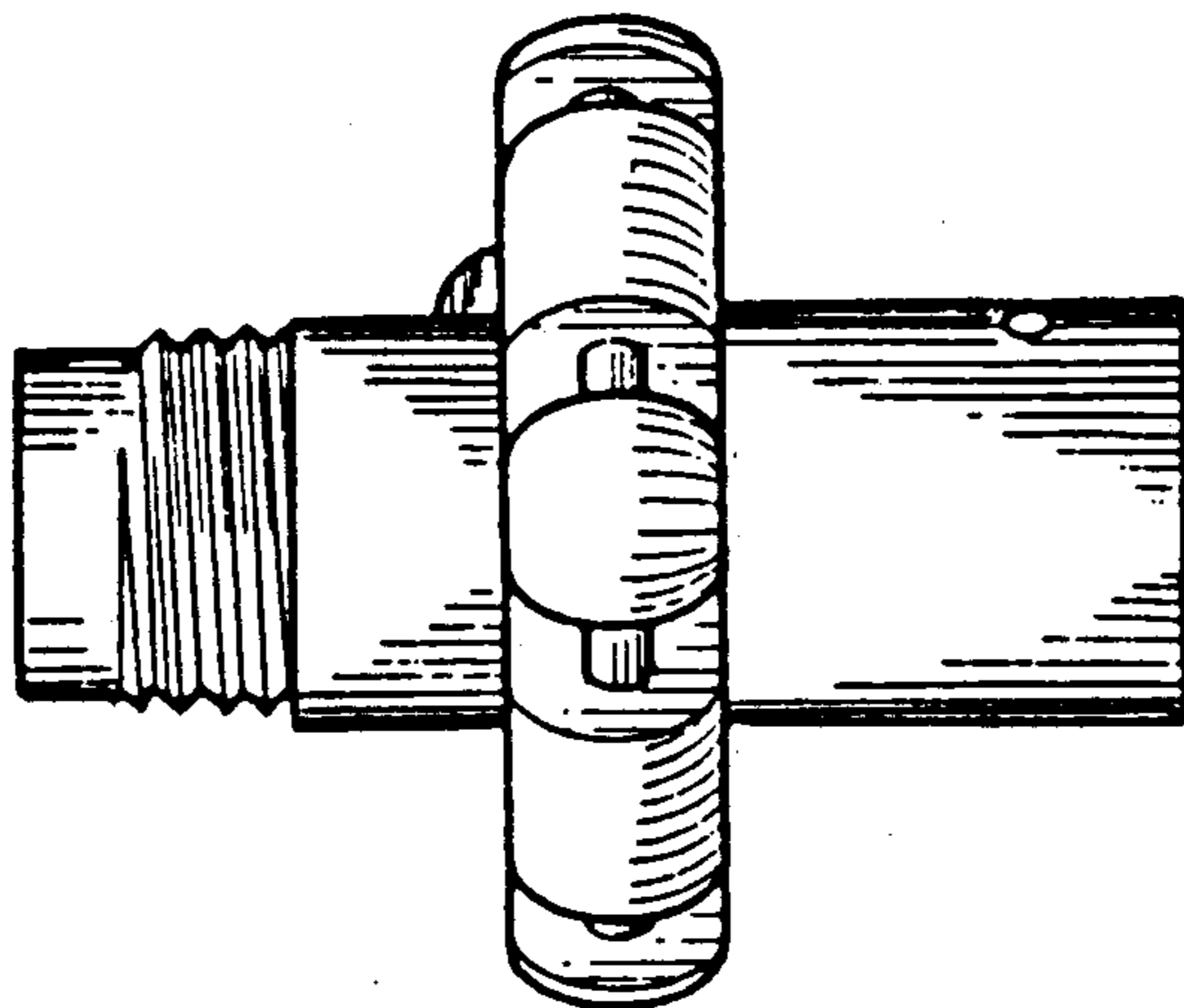


FIG. 2

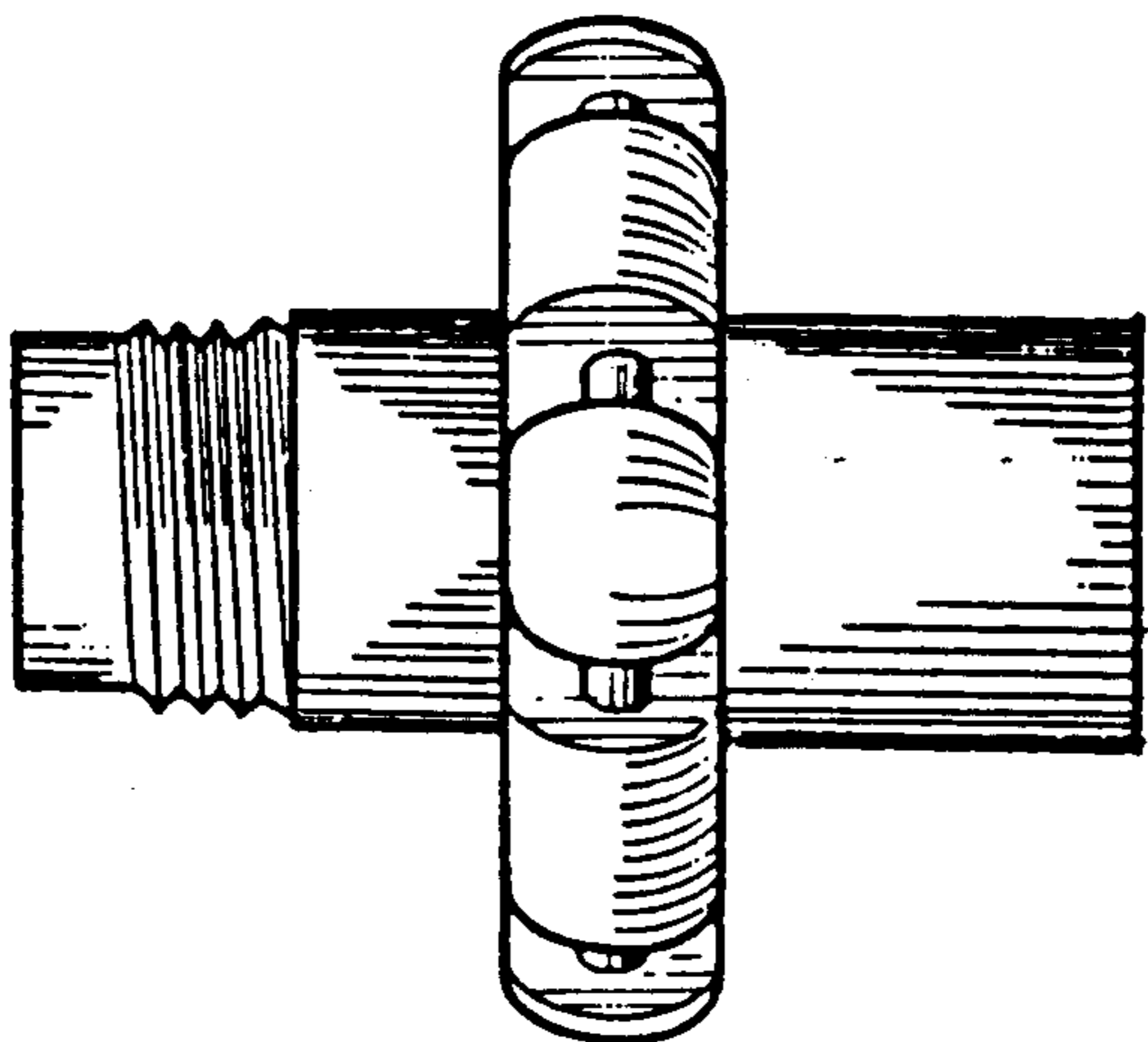


FIG. 7

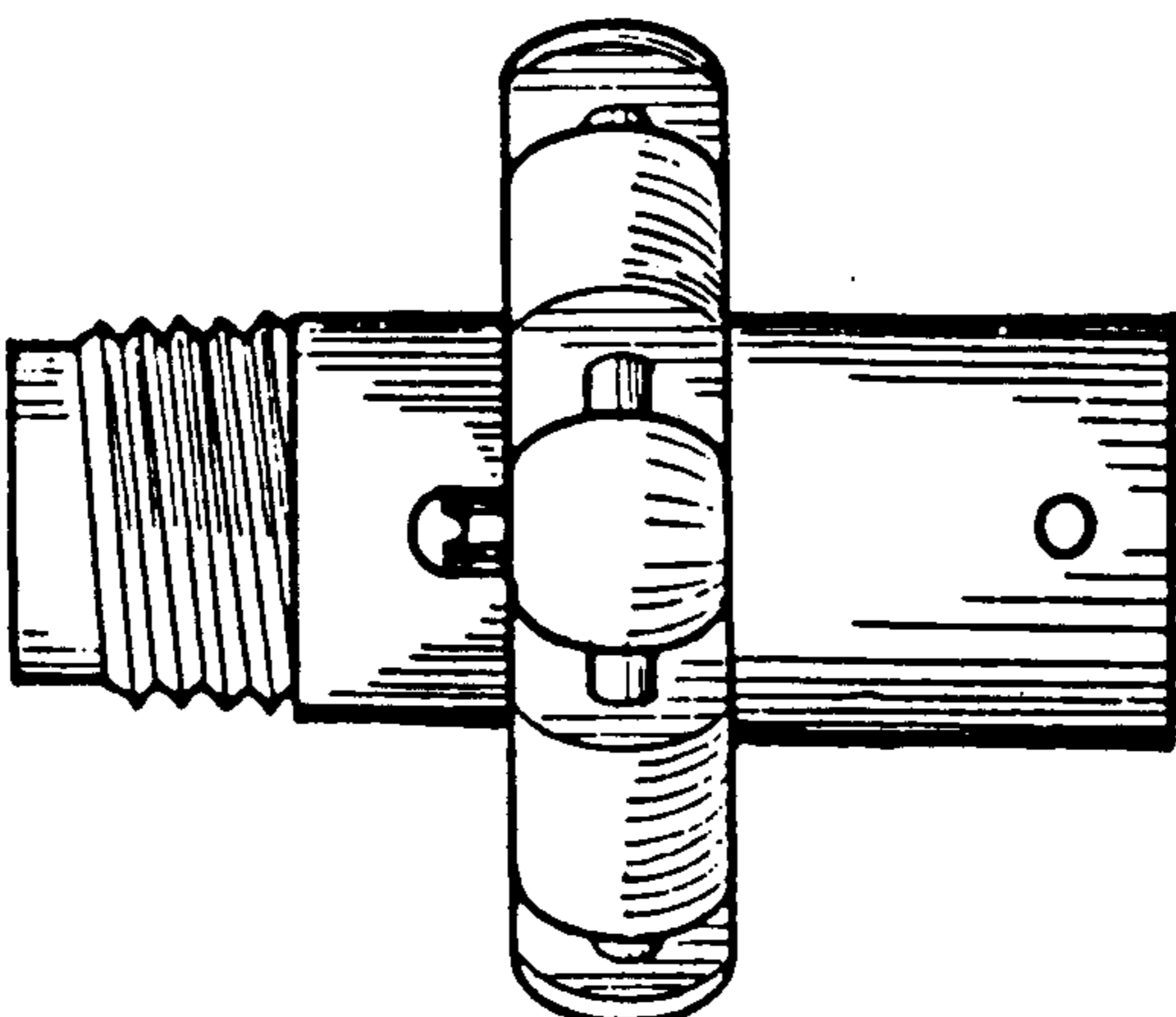


FIG. 6

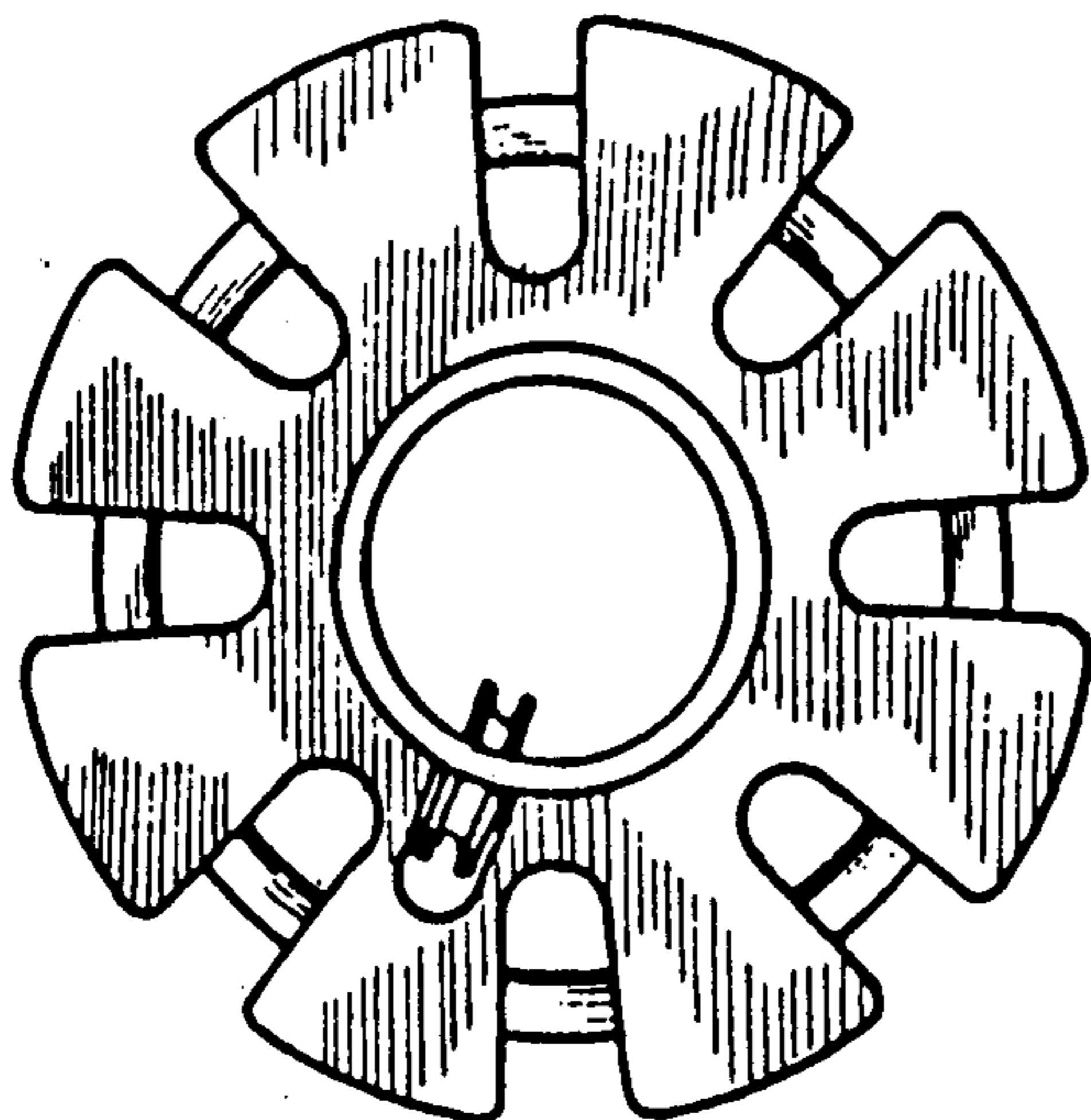


FIG. 5