

United States Patent [19]

Chew

[11] Patent Number: Des. 320,109

[45] Date of Patent: ** Sep. 24, 1991

[54] **BOOT PULLER**

[76] Inventor: **Joseph A. Chew**, 143 Ames St.,
Brockton, Mass. 02402

[**] Term: **14 Years**

[21] Appl. No.: **281,828**

[22] Filed: **Dec. 9, 1988**

[52] U.S. Cl. **D2/642**

[58] Field of Search 223/113; D34/28, 33;
114/44; D2/641, 642

[56] **References Cited**

U.S. PATENT DOCUMENTS

D. 102,043	11/1936	Westbrook	D2/642
D. 143,819	2/1946	Hauret	D2/642
D. 254,756	4/1980	Brown	D2/642
D. 287,785	1/1987	Lauhoff	D2/642

D. 288,030 2/1987 Lauhoff D2/642
2,625,696 1/1953 Dahl D2/642 X

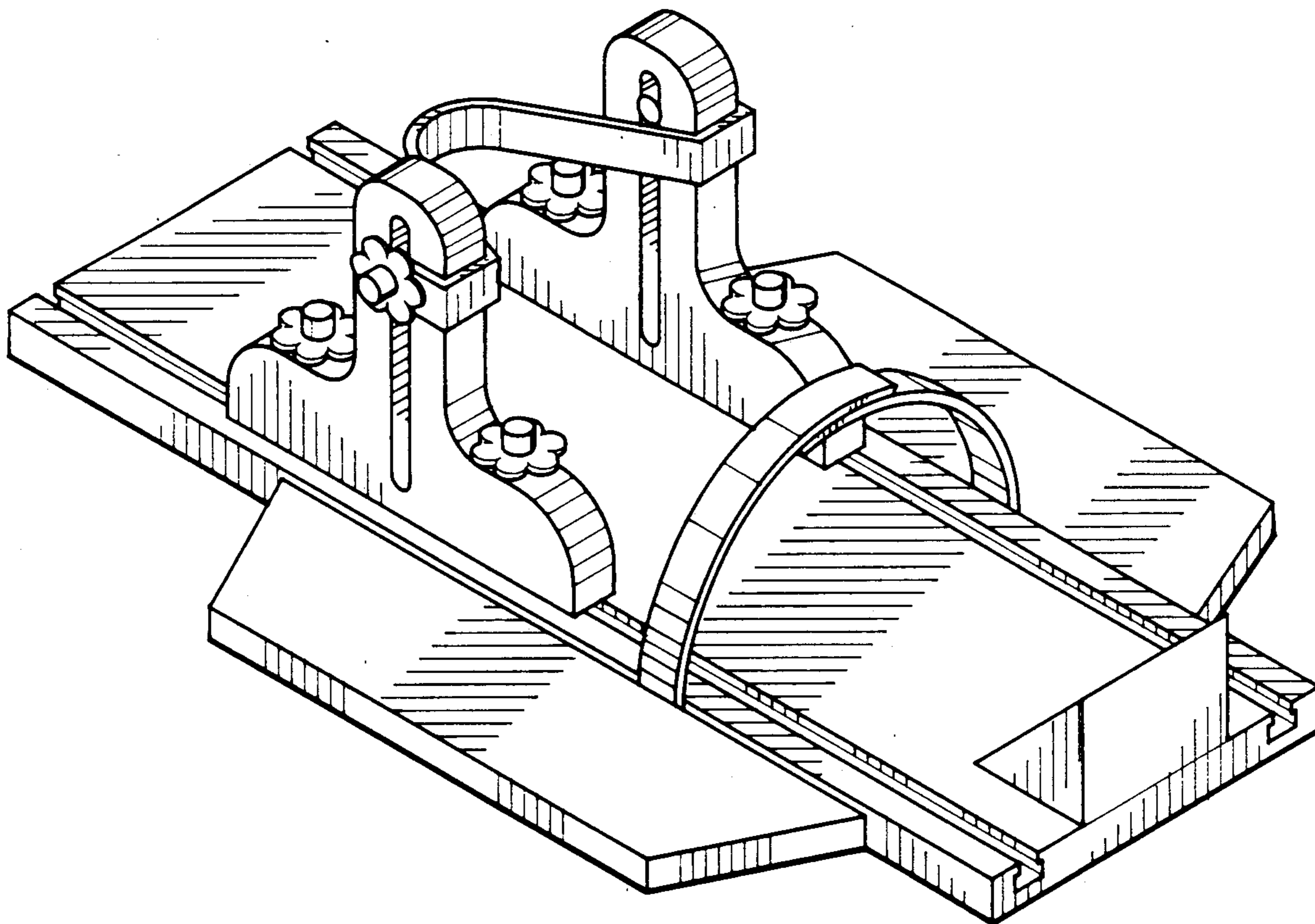
Primary Examiner—Wallace R. Burke
Assistant Examiner—Holly H. Baynham
Attorney, Agent, or Firm—Jerry T. Kearns

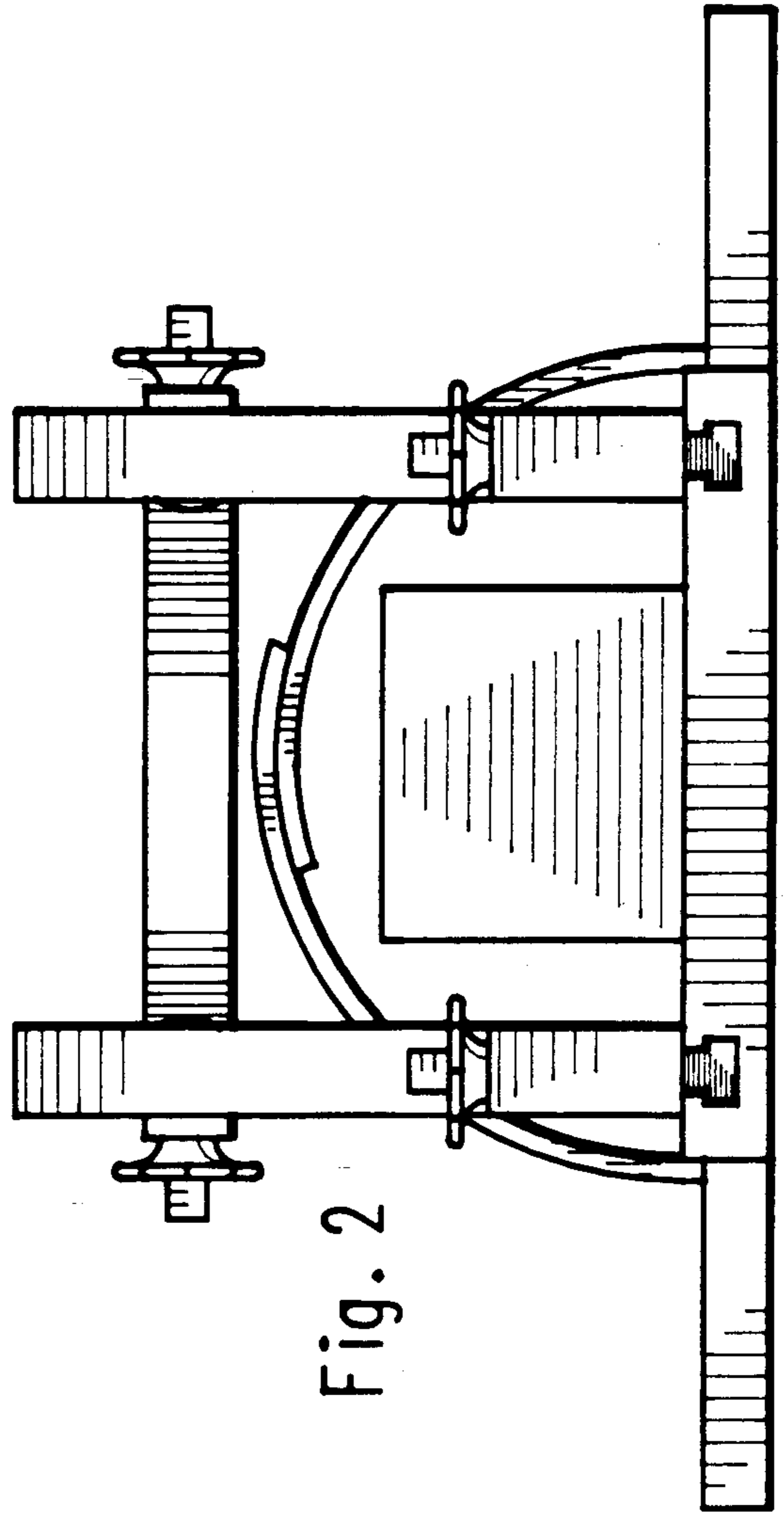
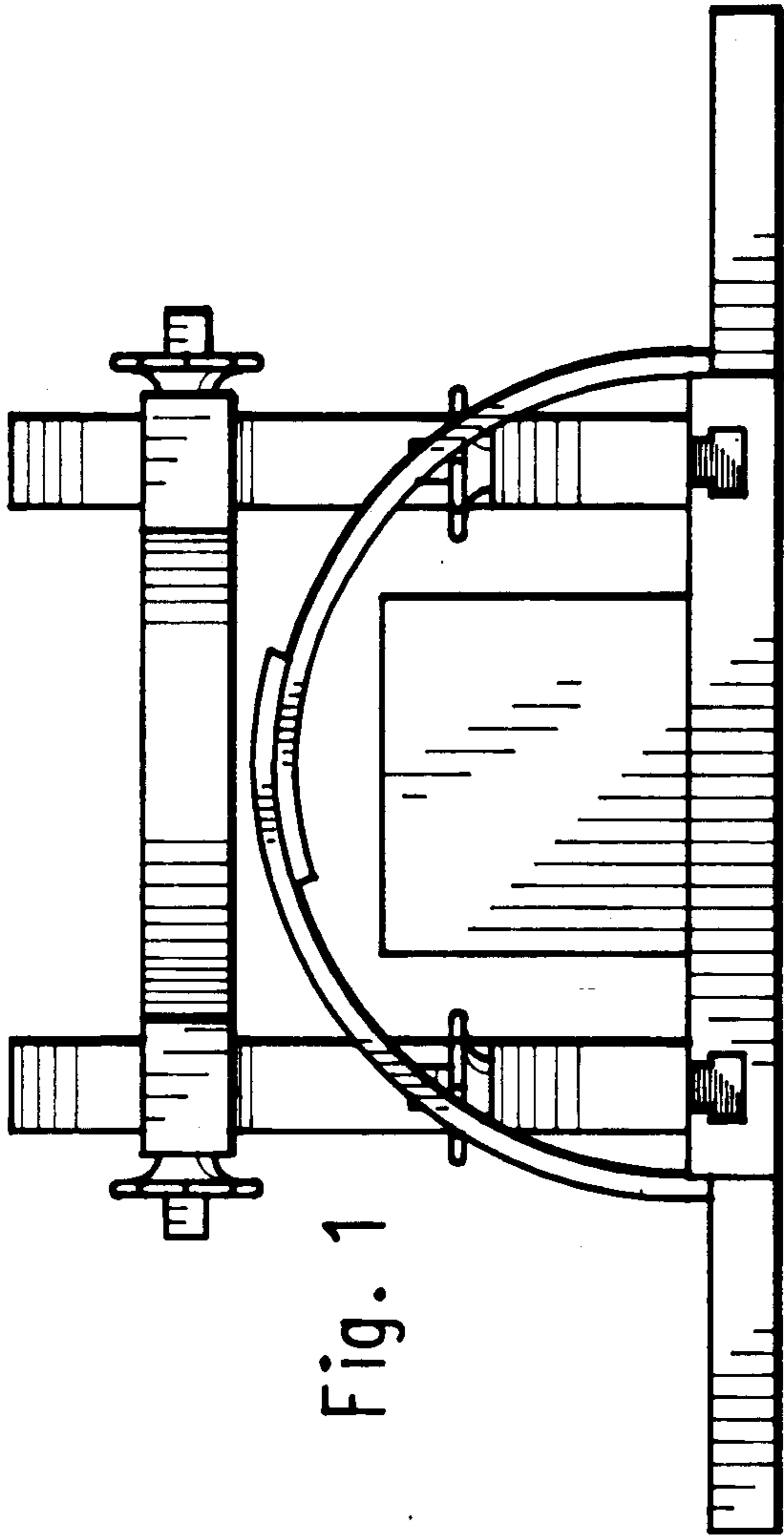
[57] **CLAIM**

The ornamental design for a boot puller, as shown and described.

DESCRIPTION

FIG. 1 is a front elevational view of a boot puller showing my new design;
FIG. 2 is a rear elevational view thereof;
FIG. 3 is a left side elevational view thereof;
FIG. 4 is a right side elevational view thereof;
FIG. 5 is a top plan view thereof;
FIG. 6 is a bottom plan view thereof; and,
FIG. 7 is a perspective view thereof.





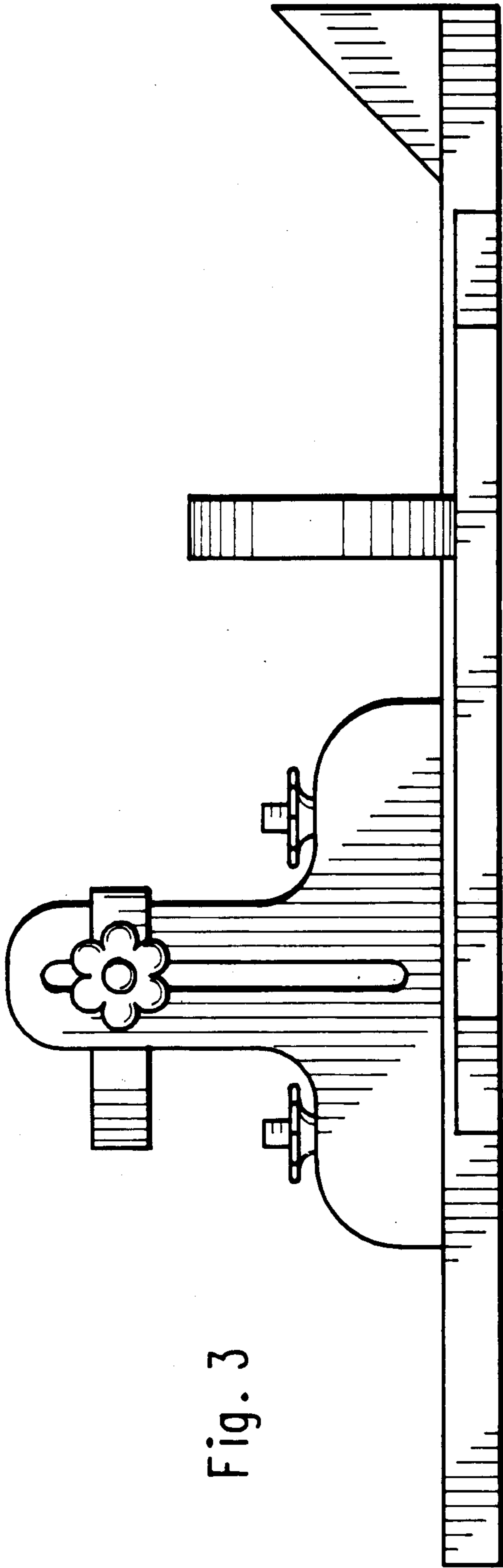


Fig. 3

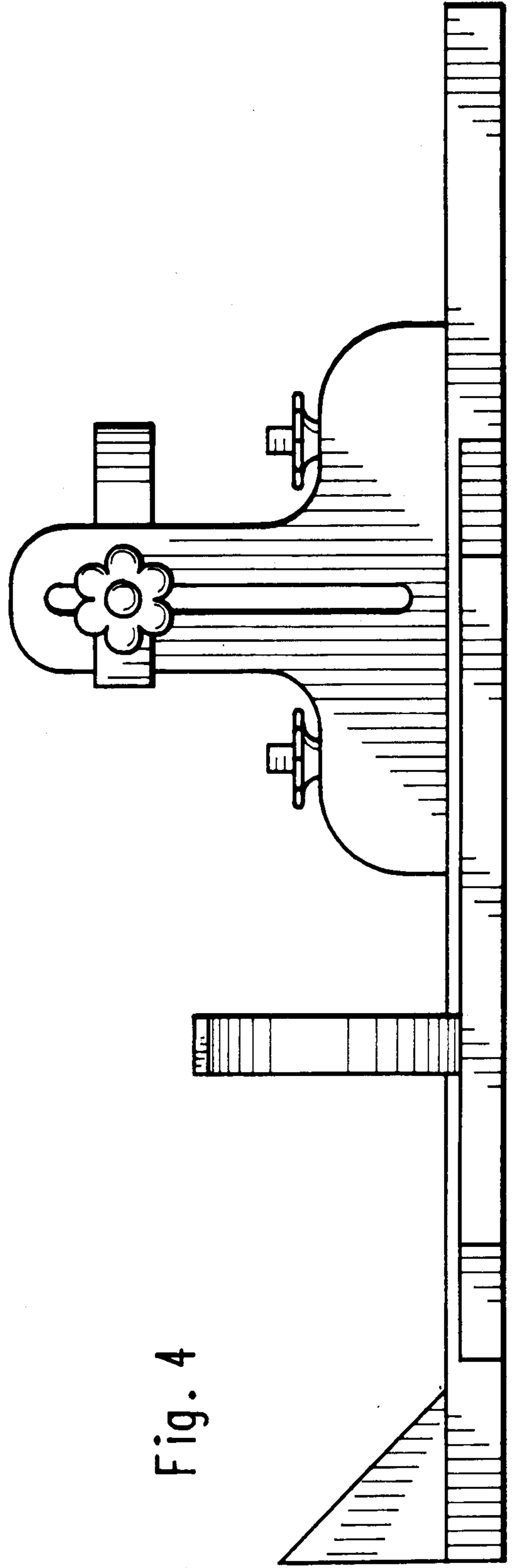


Fig. 4

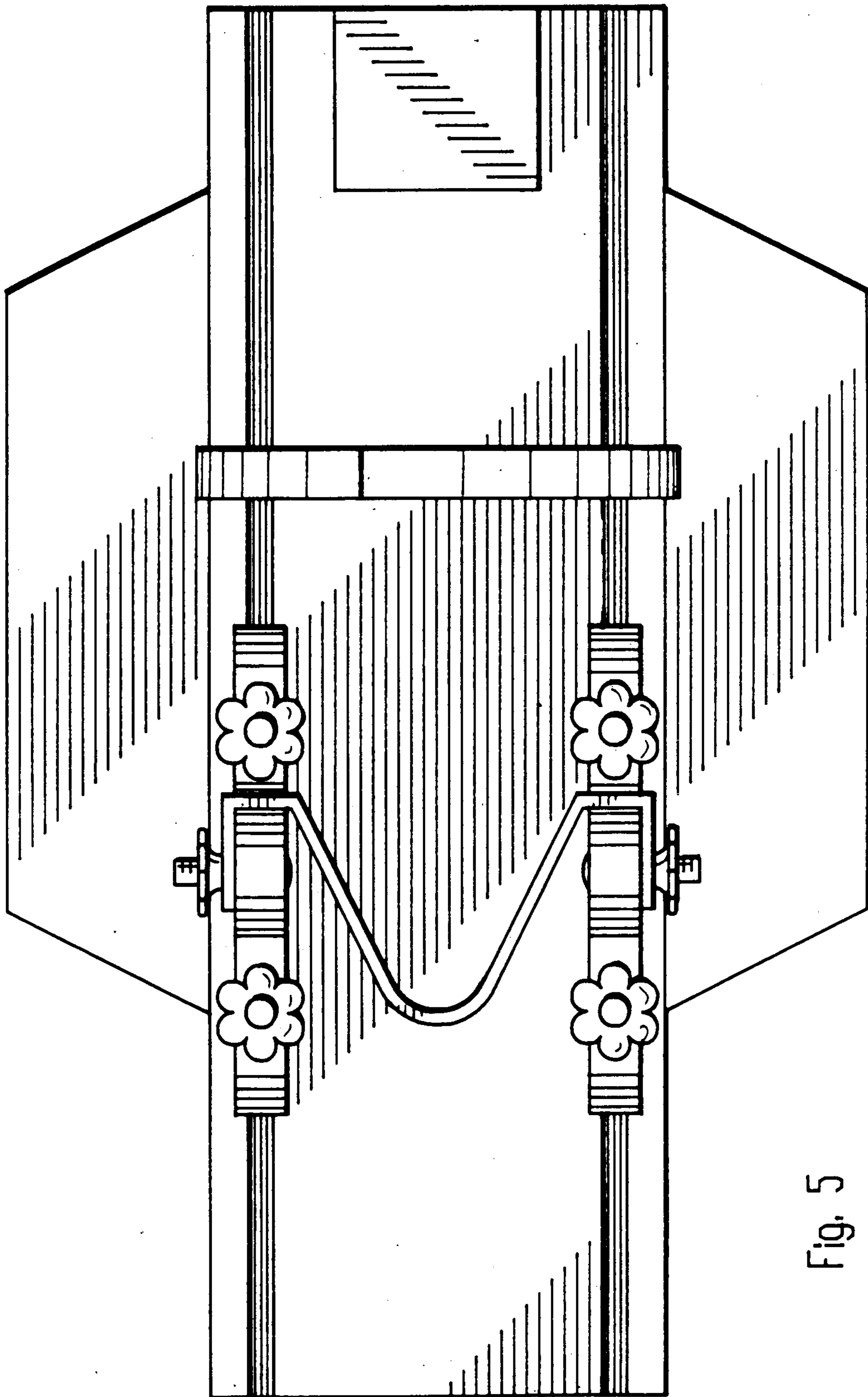


Fig. 5

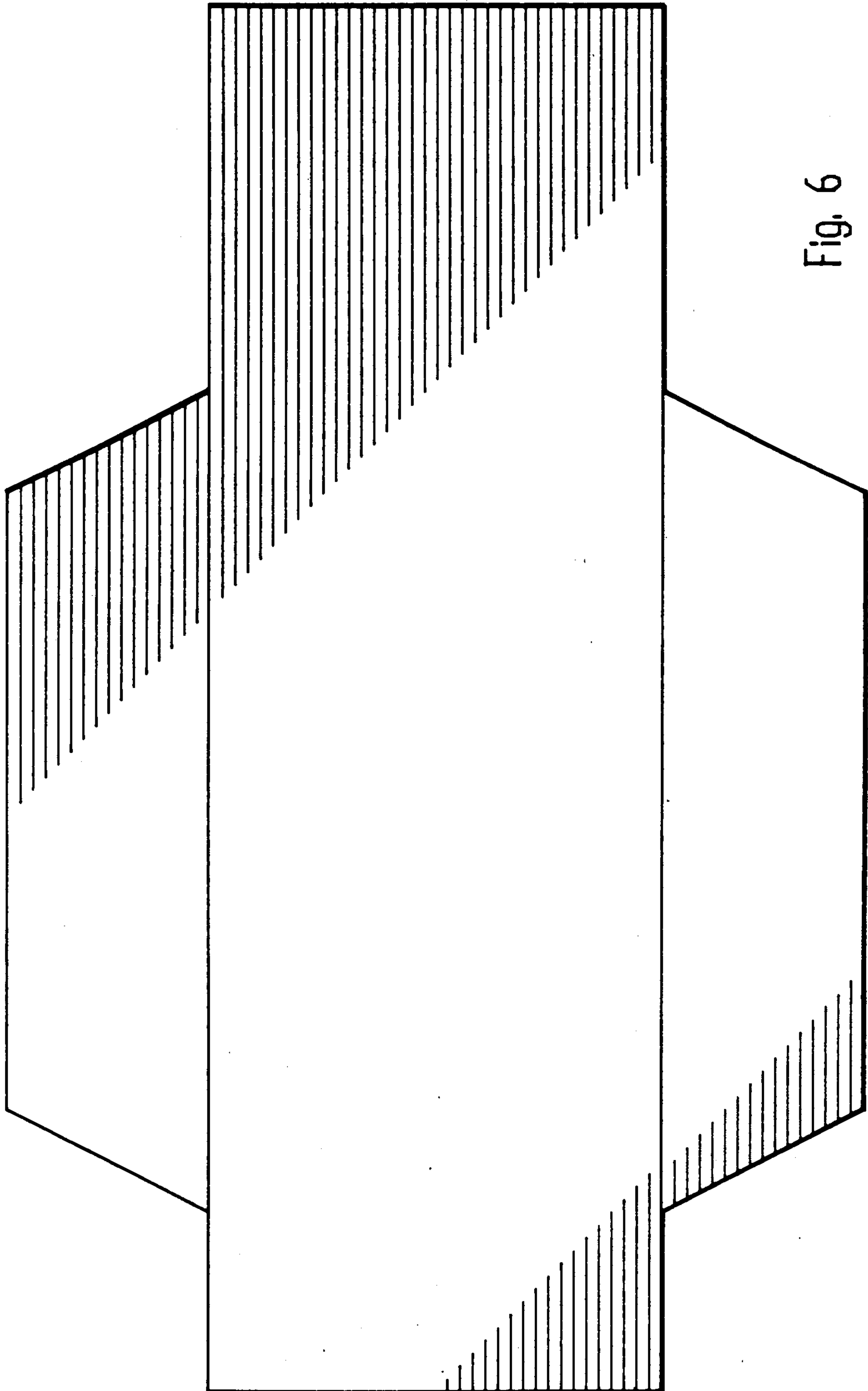


Fig. 6

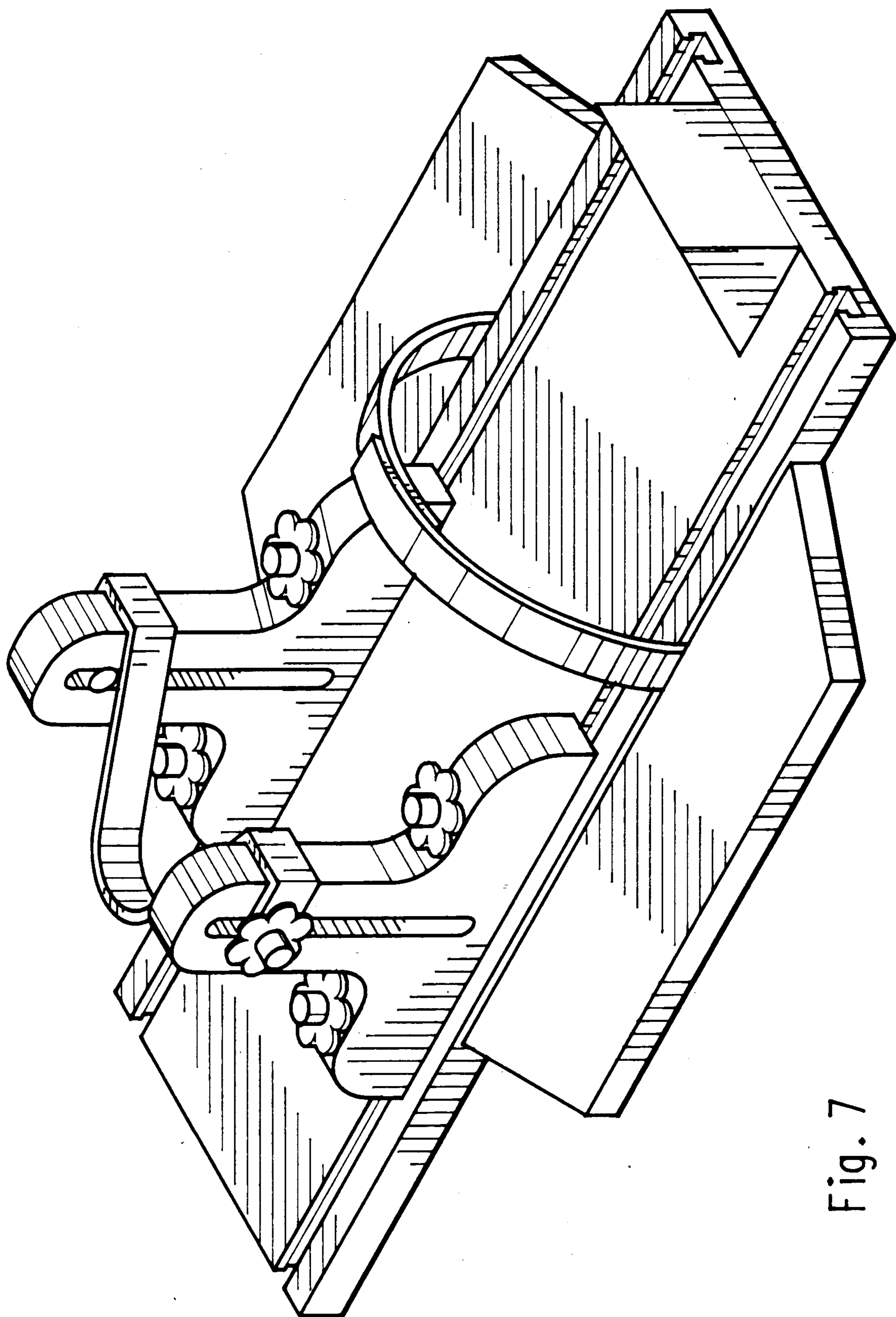


Fig. 7