

- [54] PORTABLE BLOWER
- [75] Inventors: **Martin P. Gierke; Robert P. Straub,**
both of Baltimore; **Jonathan L. Miner,** Timonium, all of Md.
- [73] Assignee: **Black & Decker Inc.,** Newark, Del.
- [**] Term: **14 Years**
- [21] Appl. No.: **119,997**
- [22] Filed: **Nov. 13, 1987**
- [52] U.S. Cl. **D32/15**
- [58] Field of Search **D32/1, 15-18,**
D32/25, 32; D23/383, 393; 15/404-405, 344,
414, 415 R, 415 A, 420, 330-331, 335, 337;
417/234, 432.2, 236

4,288,886	9/1981	Siegler	15/330
4,413,371	11/1983	Tuggle et al.	15/405
4,734,017	3/1988	Levin	417/366

OTHER PUBLICATIONS

Hardware Age, vol. 220, Dec. 1983, p. 472.

Primary Examiner—A. Hugo Word

Assistant Examiner—Doris V. Coles

Attorney, Agent, or Firm—Charles E. Yocum; Dennis A. Dearing; Jpon D. Del Ponti

[57] CLAIM

The ornamental design for a portable blower, as shown and described.

DESCRIPTION

FIG. 1 is a perspective view of a portable blower, showing our new design;
 FIG. 2 is a side elevational view thereof;
 FIG. 3 is a top plan view thereof;
 FIG. 4 is a bottom plan view thereof;
 FIG. 5 is a front elevational view thereof;
 FIG. 6 is a rear elevational view thereof;
 FIG. 7 is a partial rear elevational view thereof, with the guard removed;
 FIG. 8 is a side elevational view of the second embodiment;
 FIG. 9 is a partial side elevational view thereof;
 FIG. 10 is a partial front elevational view thereof;
 FIG. 11 is a partial side elevational view thereof; and
 FIG. 12 is a partial rear elevational view thereof.

[56] **References Cited**
U.S. PATENT DOCUMENTS

D. 147,125	7/1947	Harvuot .	
D. 192,345	3/1962	Nerheim .	
D. 209,274	11/1967	Richards .	
D. 211,751	7/1968	Richards .	
D. 255,864	7/1980	Bennett .	
D. 258,908	4/1981	Satoh D23/155
D. 266,355	9/1982	Mariol D23/383
D. 266,587	10/1982	Satoh D23/155
D. 280,661	9/1985	Hill D23/383
D. 297,274	8/1988	Komiya et al. D32/15
2,068,496	1/1937	Linghammar 15/155
4,132,507	1/1979	Akiyama et al. 417/234
4,269,571	5/1981	Shikutani et al. 417/234

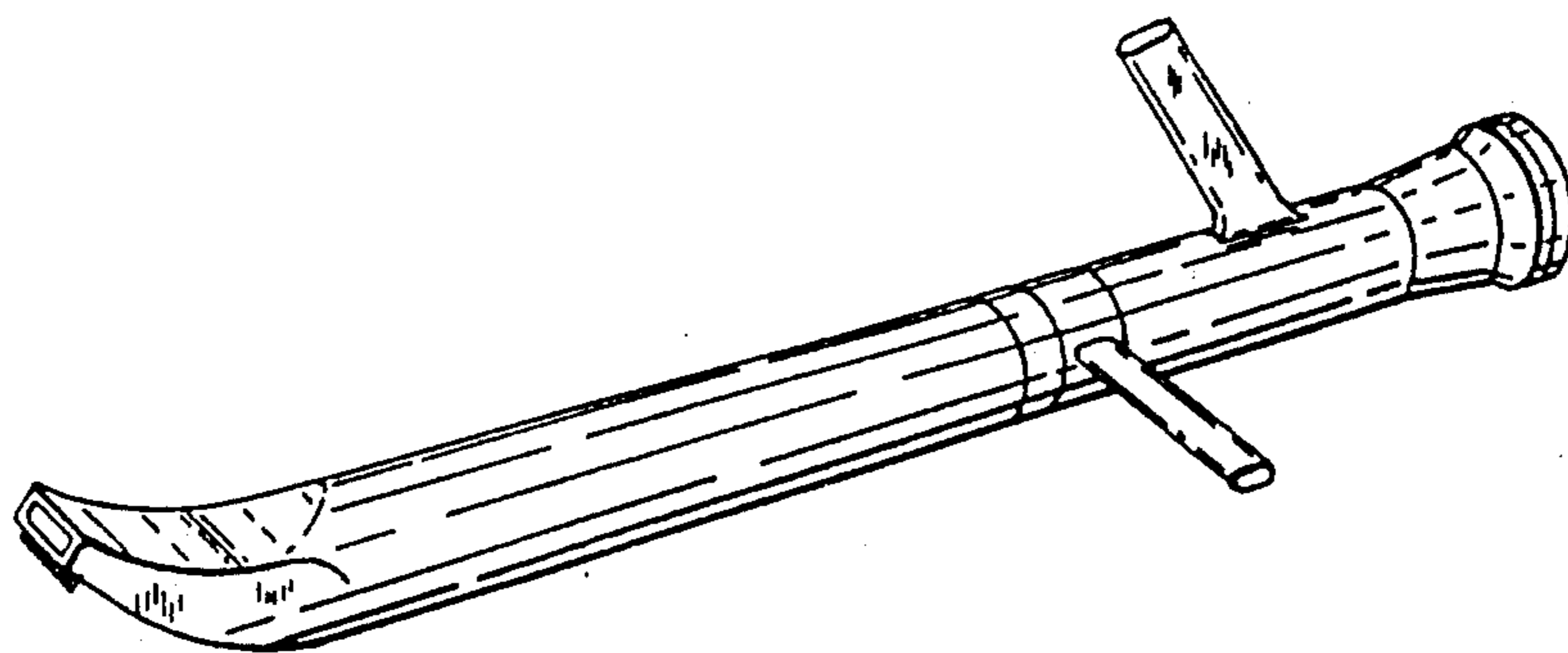


FIG. 1

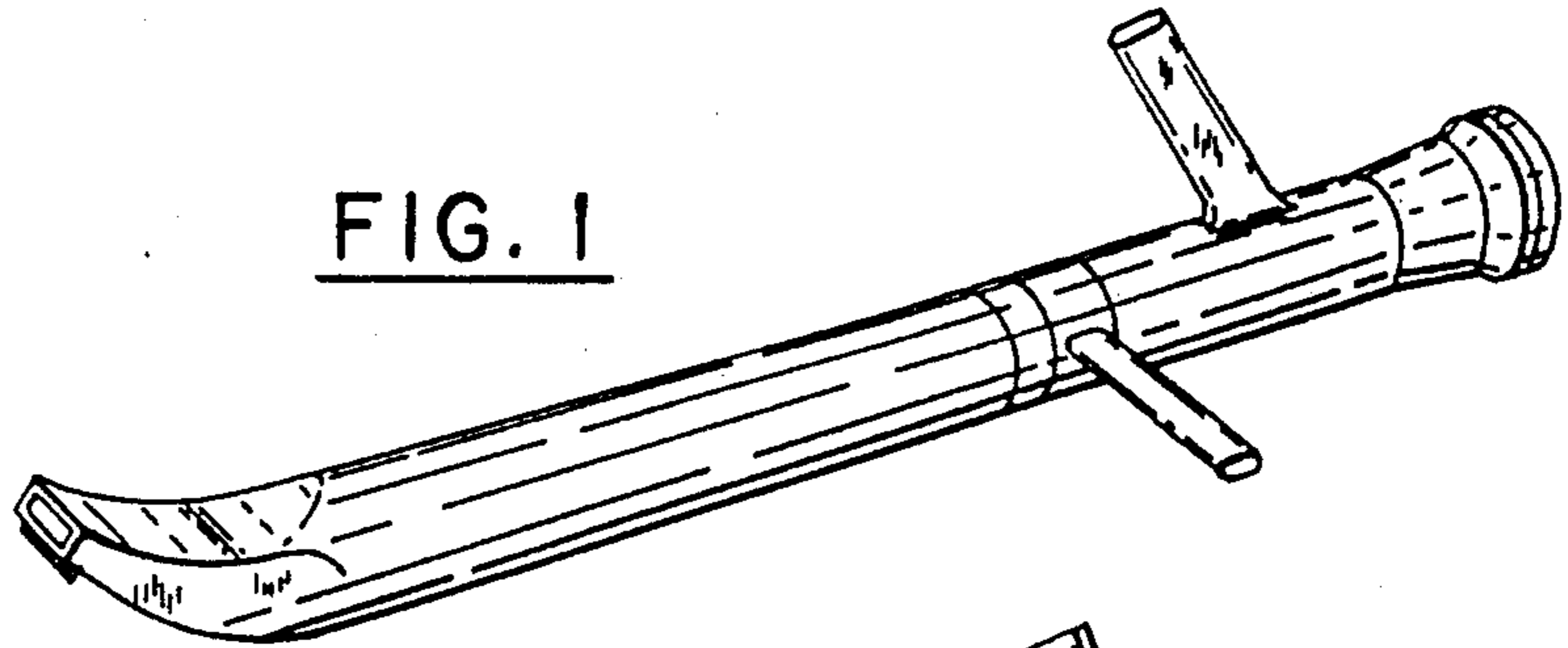


FIG. 2

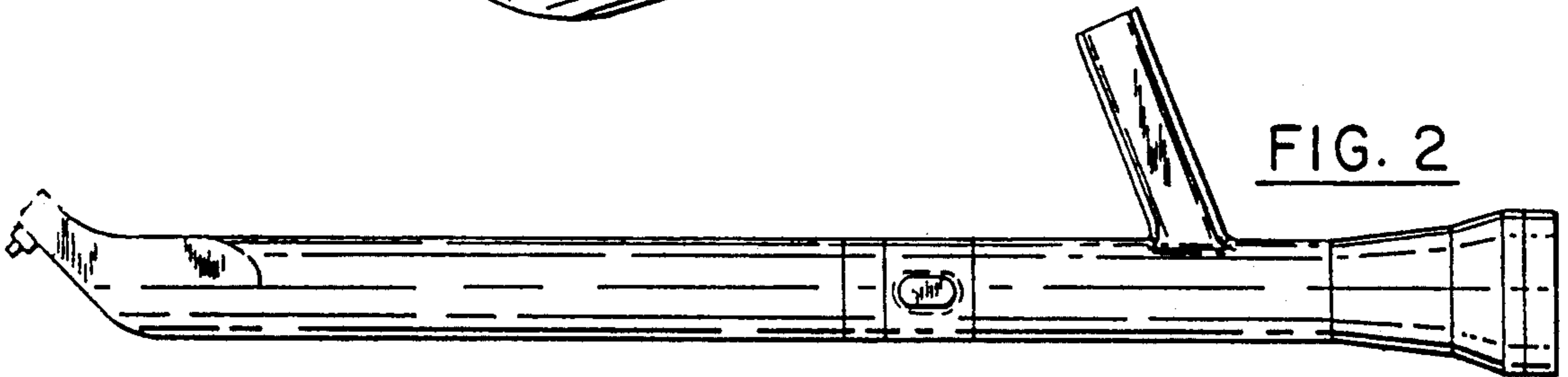


FIG. 3

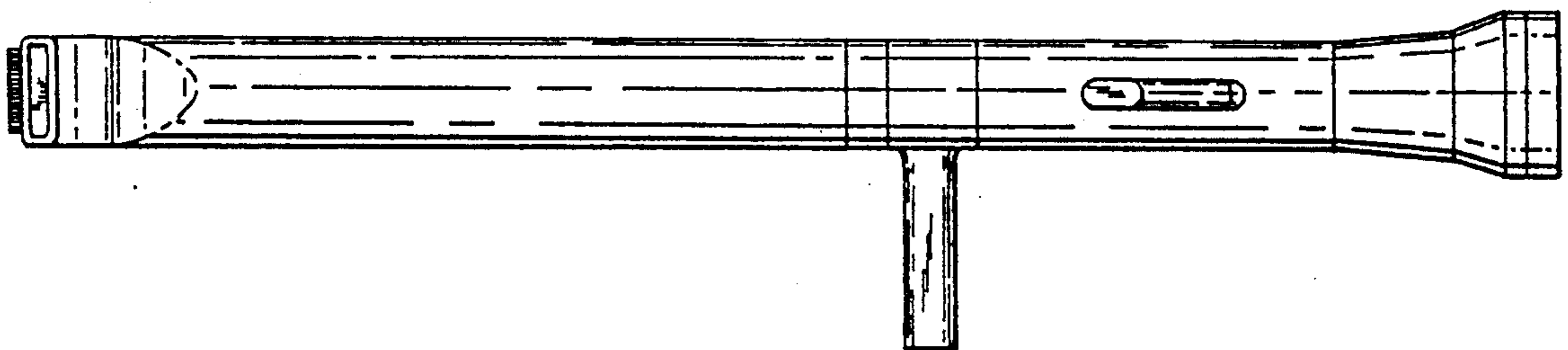


FIG. 4

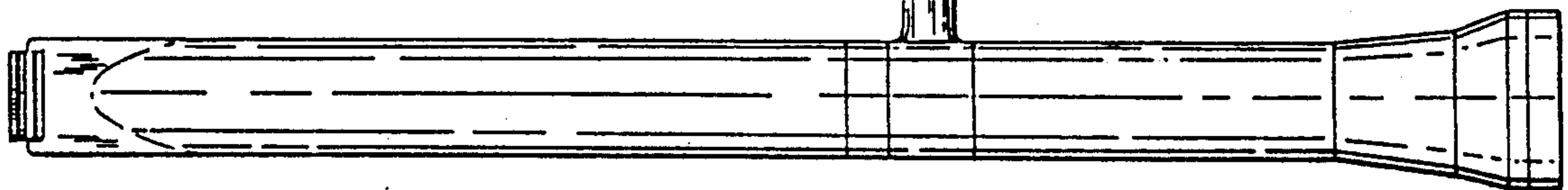


FIG. 5

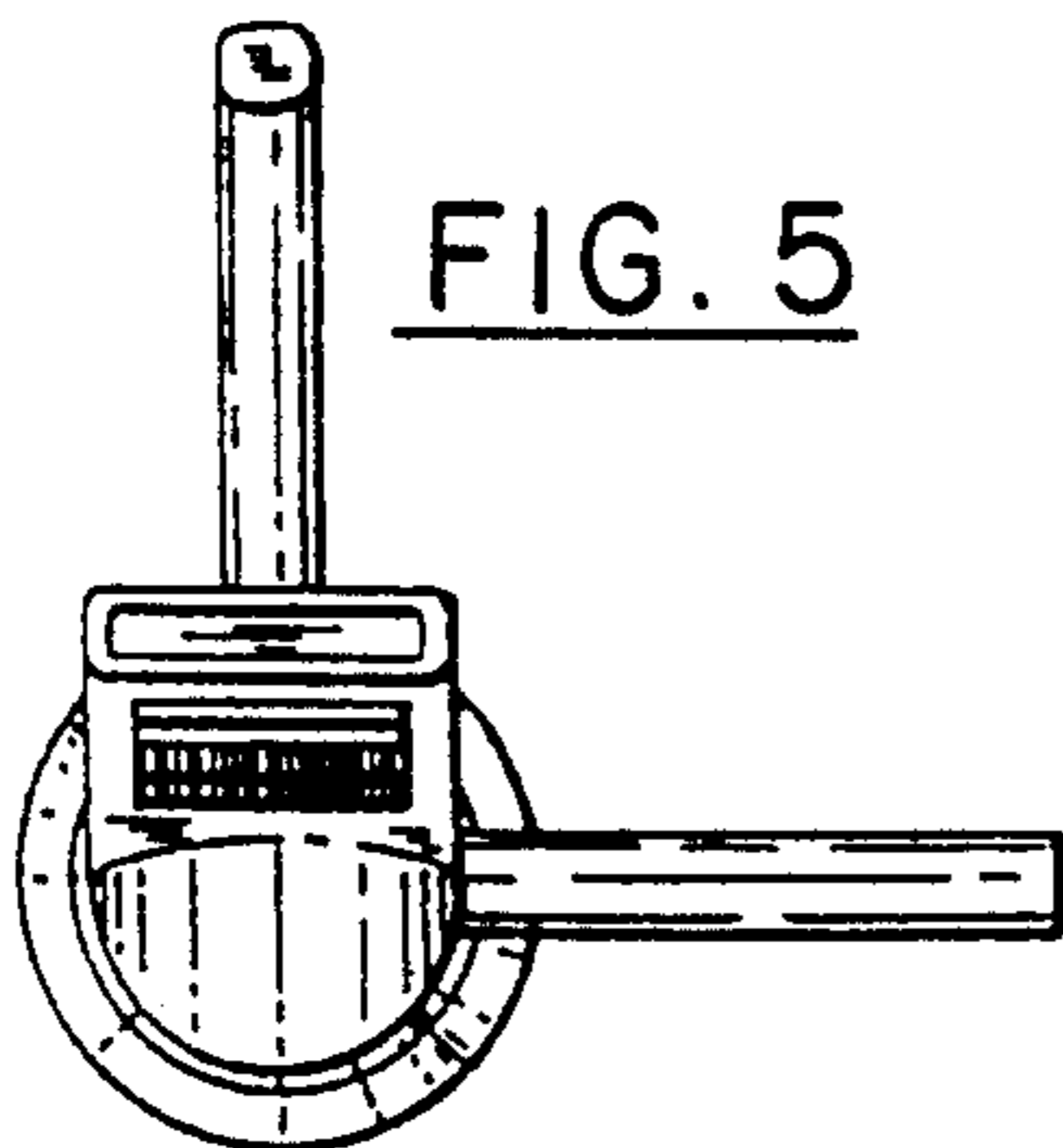
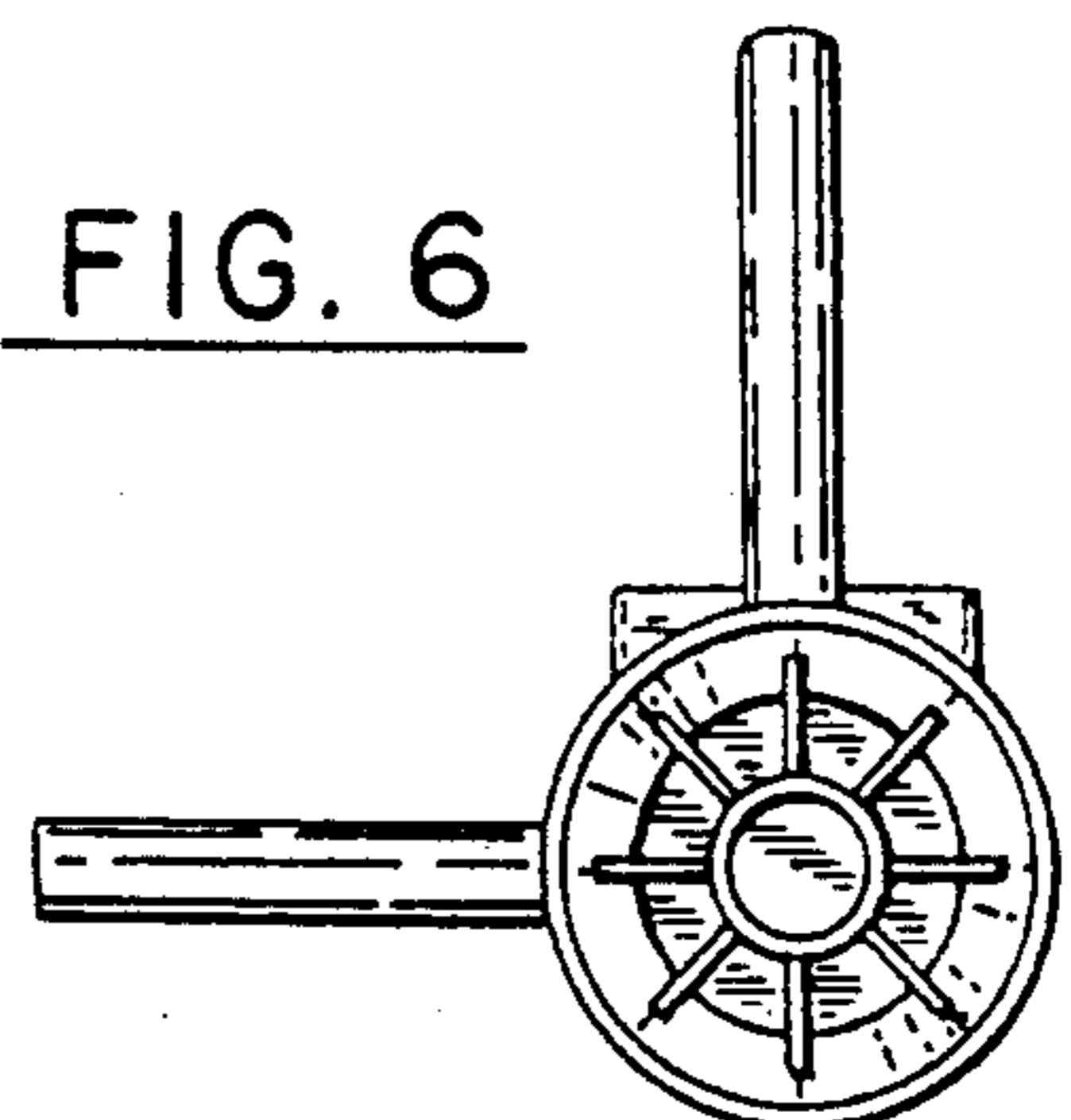


FIG. 6



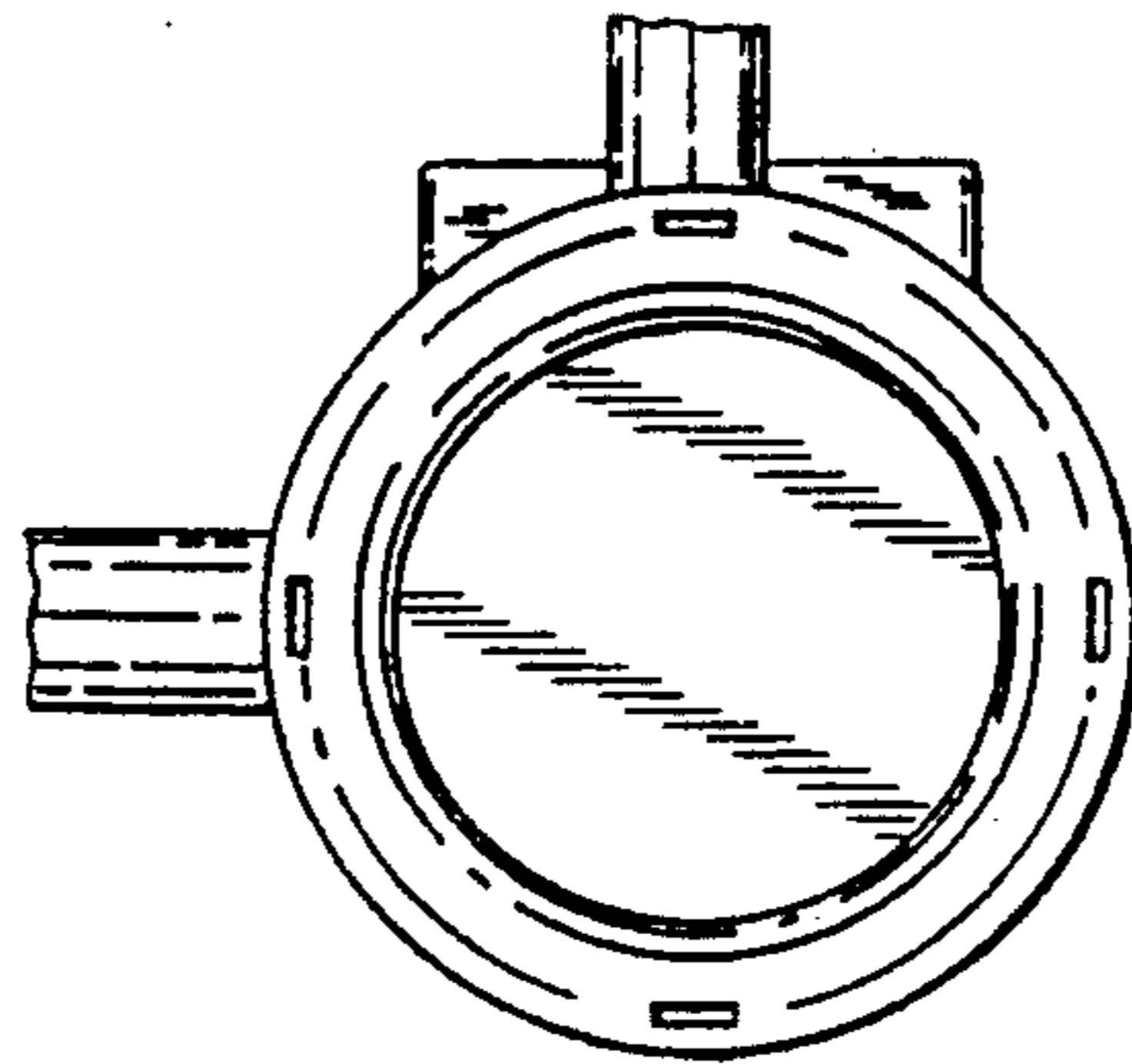


FIG. 7

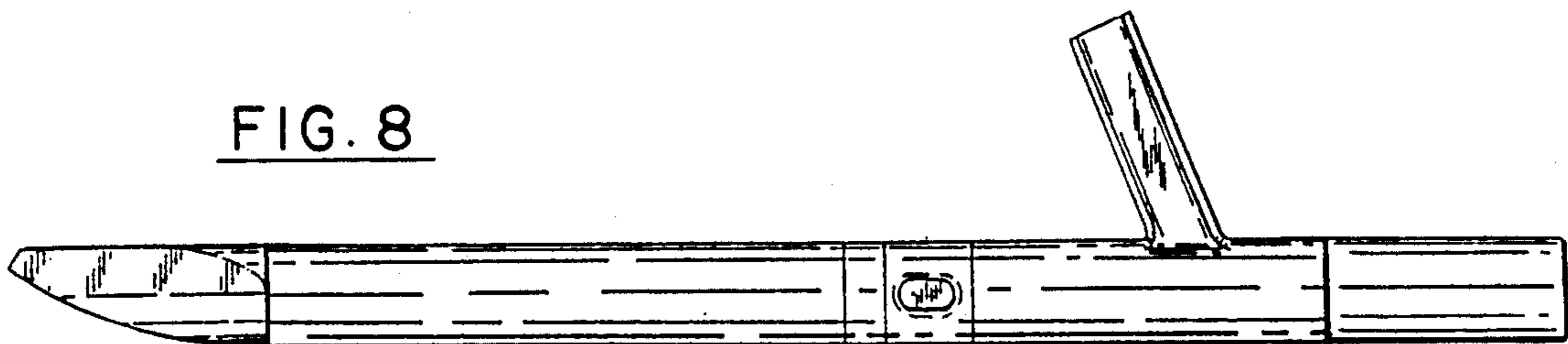


FIG. 8

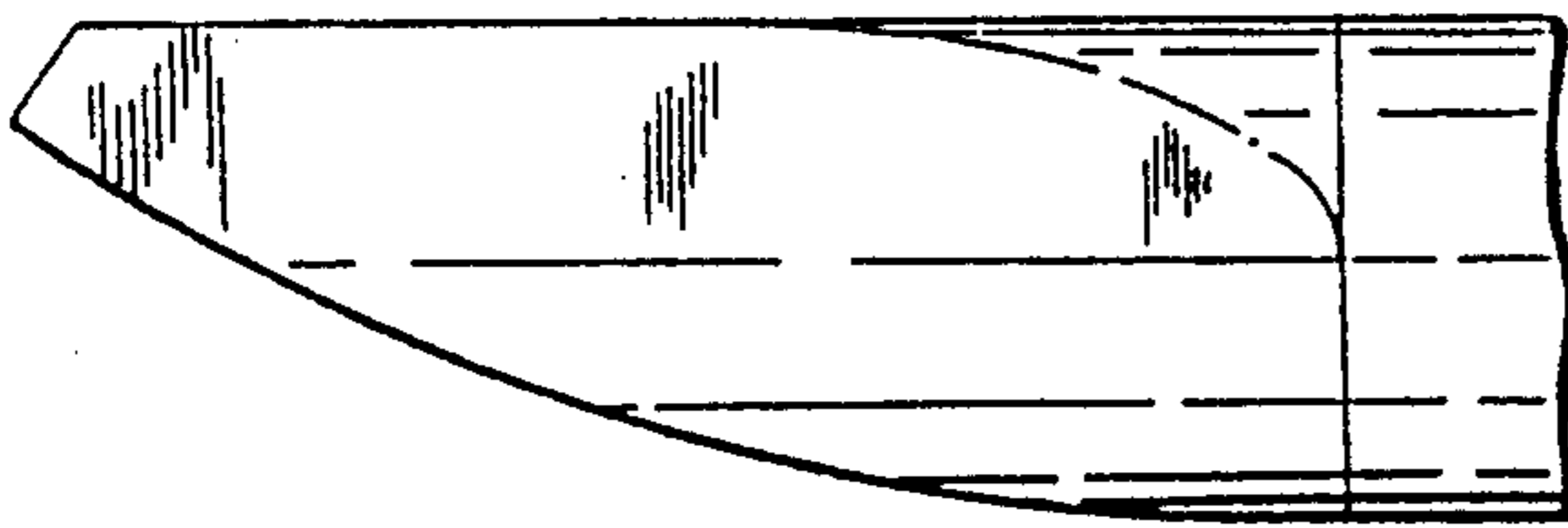


FIG. 9

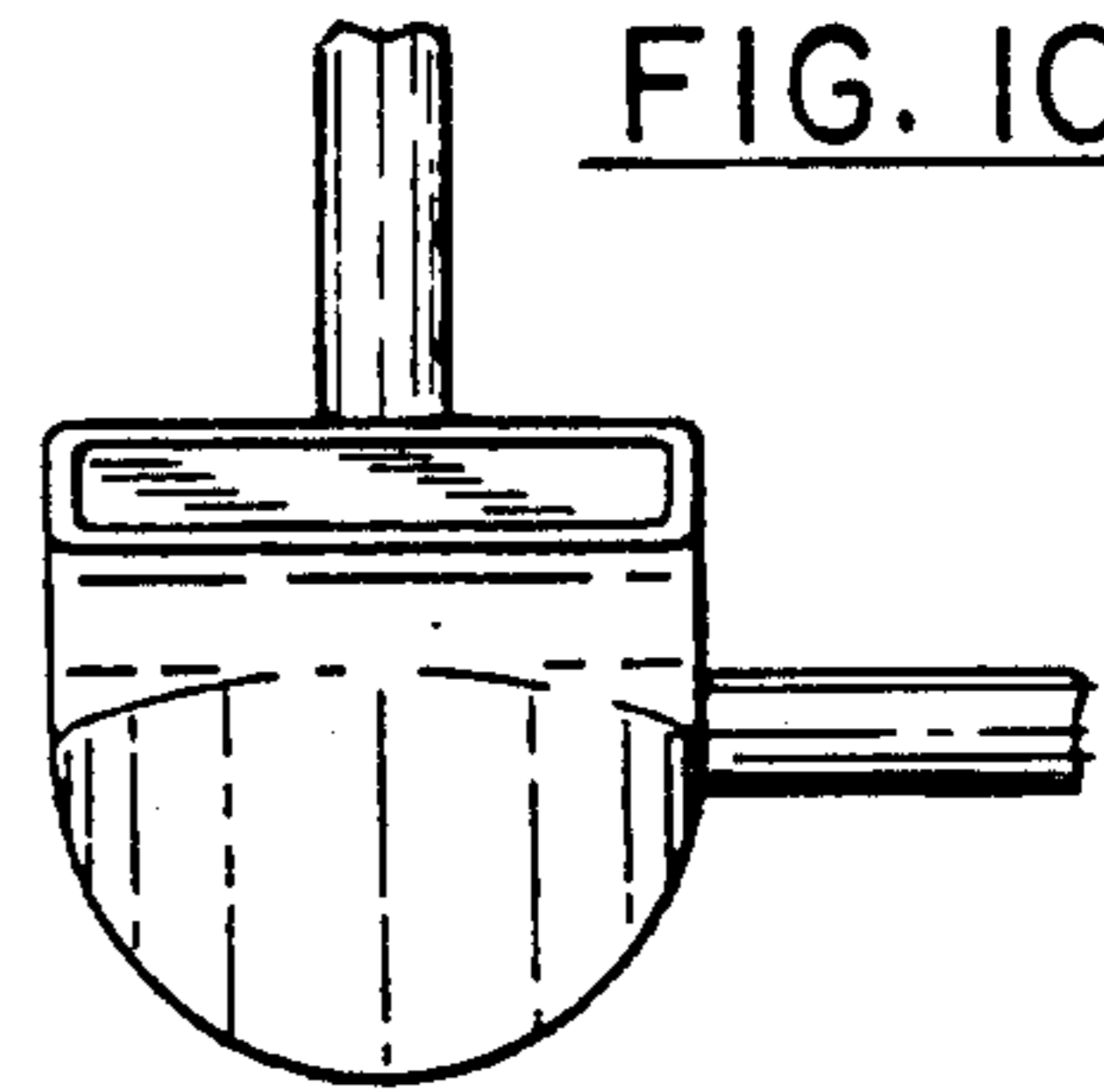


FIG. 10

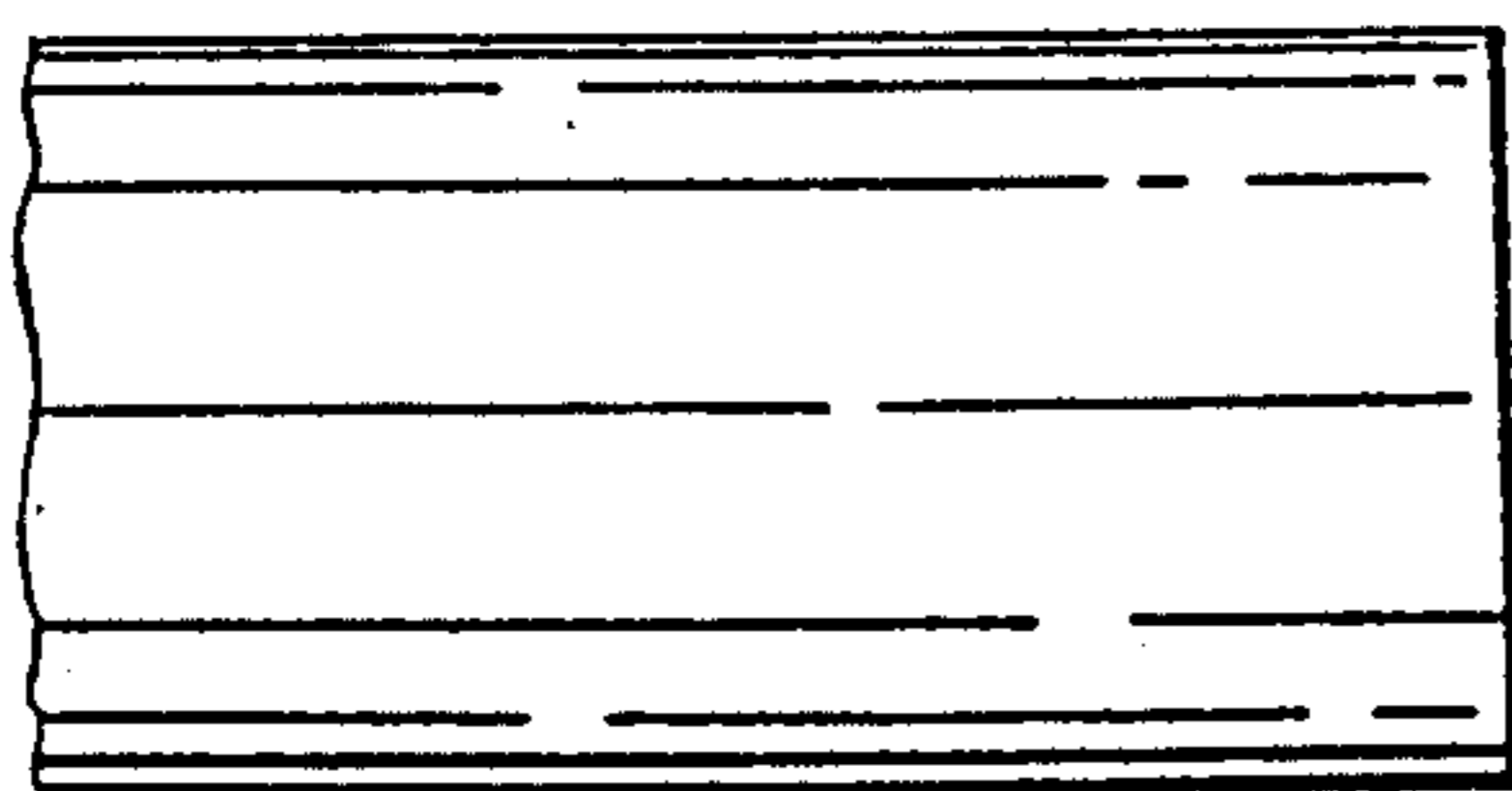


FIG. 11

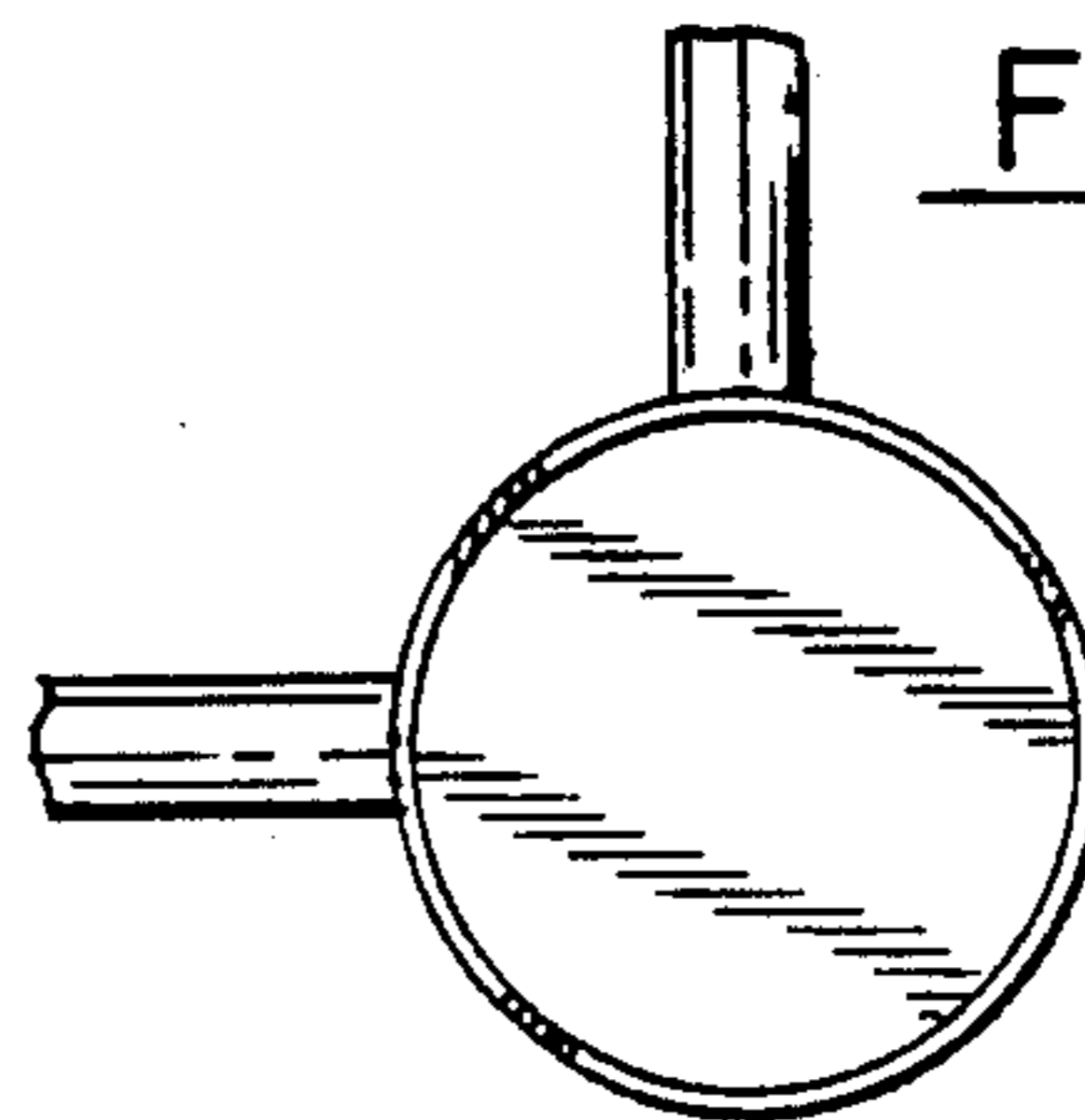


FIG. 12