

[54] PORTABLE HAND HELD VACUUM CLEANER

[75] Inventors: Robert Case; James D. Morrow; Michael J. Scola, all of Cook County, Ill.

[73] Assignee: Emerson Electric Co., St. Louis, Mo.

[**] Term: 14 Years

[21] Appl. No.: 249,083

[22] Filed: Sep. 26, 1988

[52] U.S. Cl. 932/18

[58] Field of Search D32/17-18; 15/344, 329

[56] References Cited

U.S. PATENT DOCUMENTS

- D. 275,427 9/1984 Kishi et al. D32/18
- D. 279,513 7/1985 Rinaldi et al. D32/18
- D. 280,142 8/1985 Pudwill D32/18

- D. 280,452 9/1985 Arita D32/18
- D. 280,453 9/1985 Tsuji D32/18
- D. 287,893 1/1987 Fujii et al. D32/18
- D. 289,576 4/1987 Okada et al. D32/18

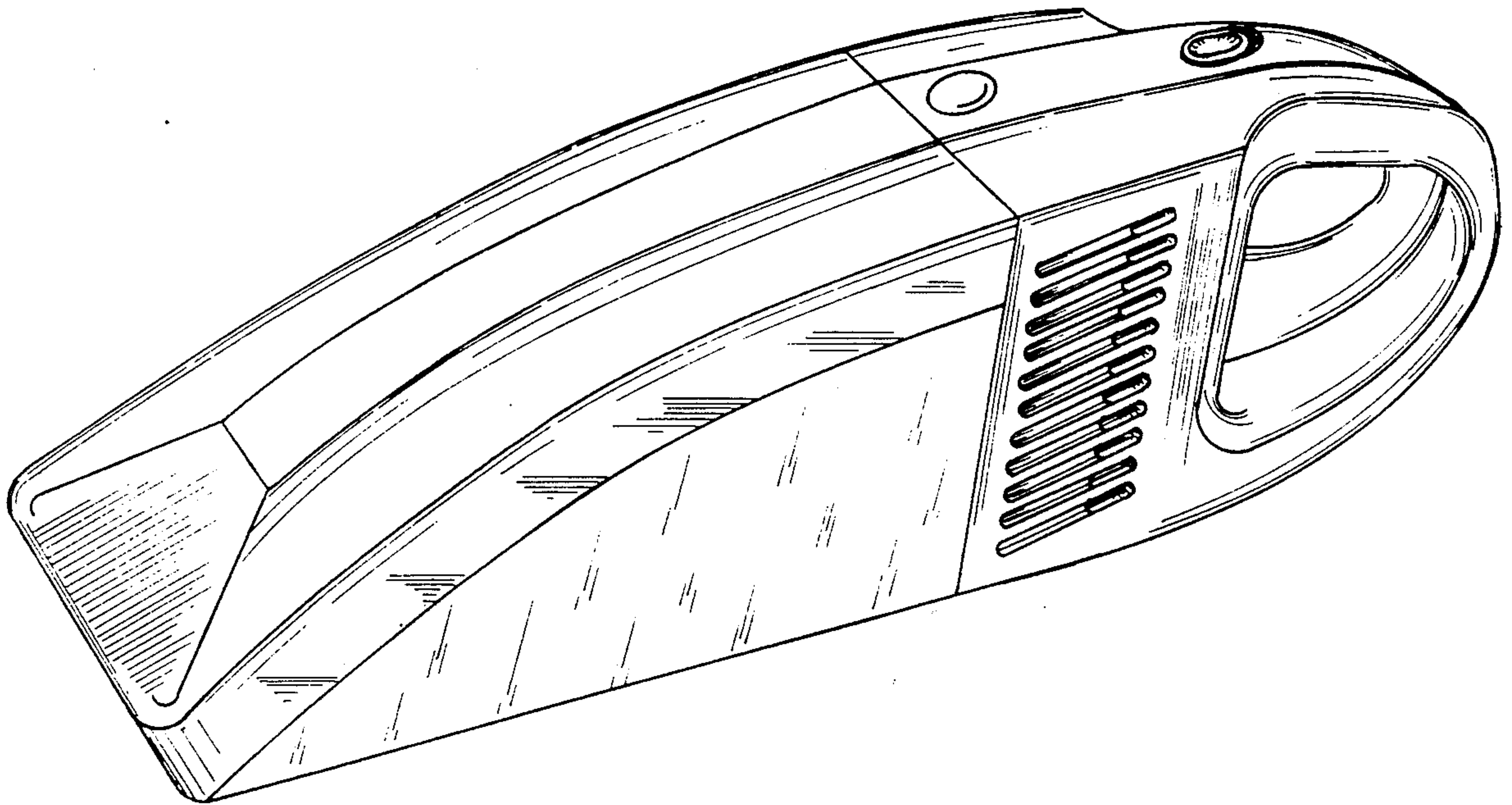
Primary Examiner—A. Hugo Word
Assistant Examiner—Ruth McInroy
Attorney, Agent, or Firm—Polster, Polster and Lucchesi

[57] CLAIM

The ornamental design for a portable hand held vacuum cleaner, as shown and described.

DESCRIPTION

FIG. 1 is a top perspective view of a portable hand held vacuum cleaner showing our new design; FIG. 2 is a top plan view thereof; FIG. 3 is a bottom plan view thereof; FIG. 4 is a left side elevational view thereof; FIG. 5 is a right side elevational view thereof; FIG. 6 is a front elevational view thereof; and FIG. 7 is a rear elevational view thereof.



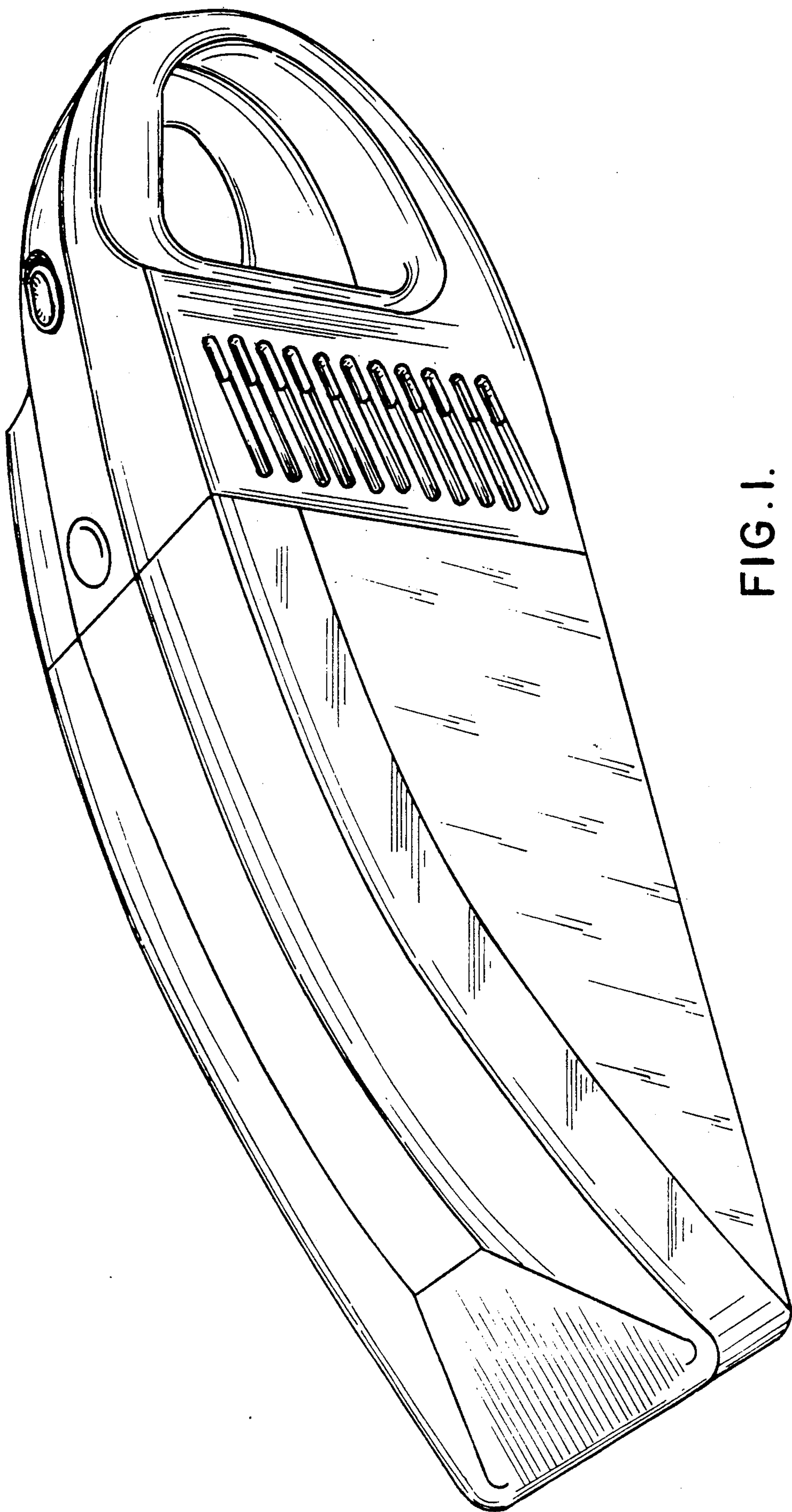


FIG. 1.

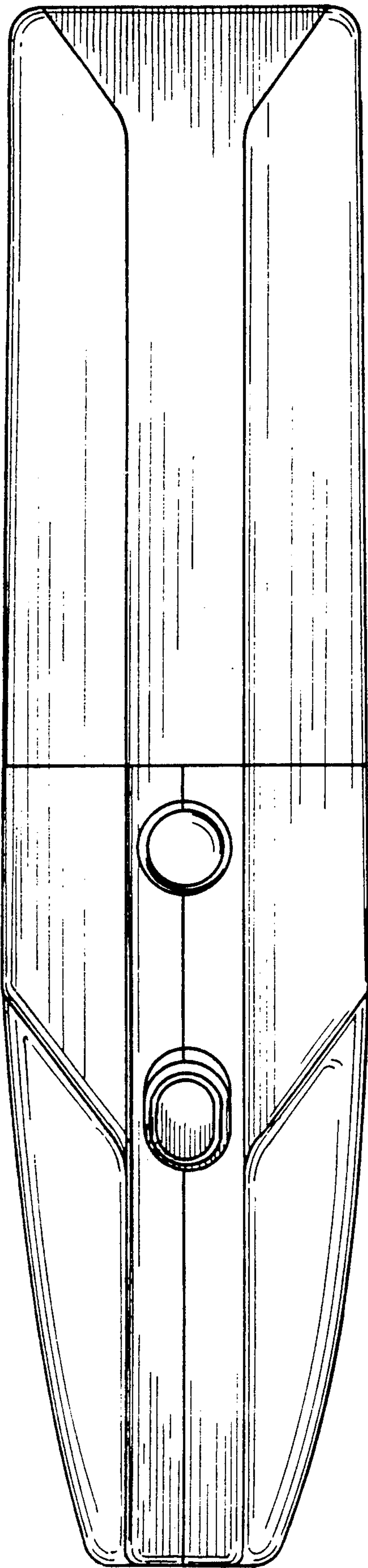


FIG. 2.

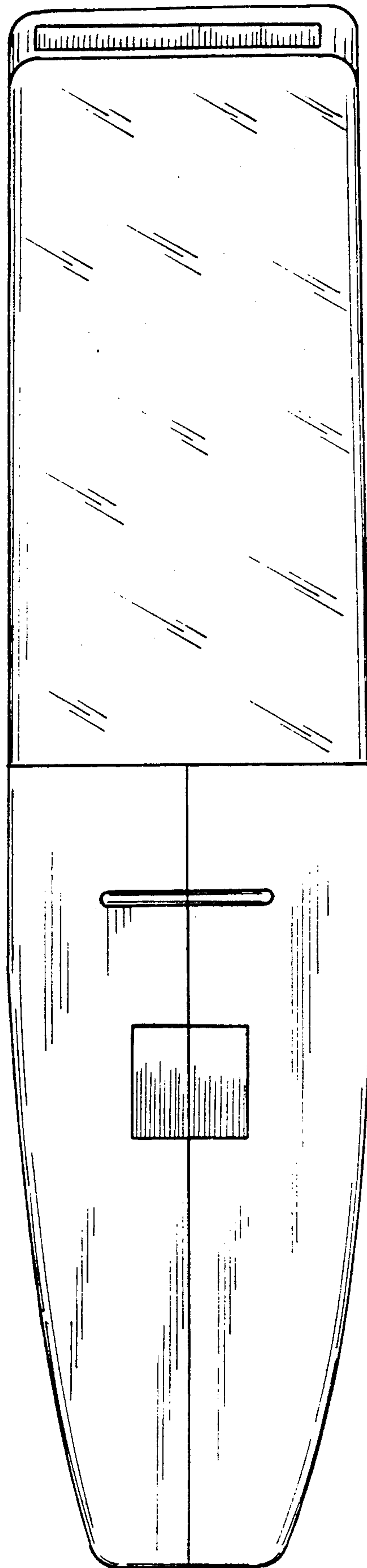


FIG. 3.

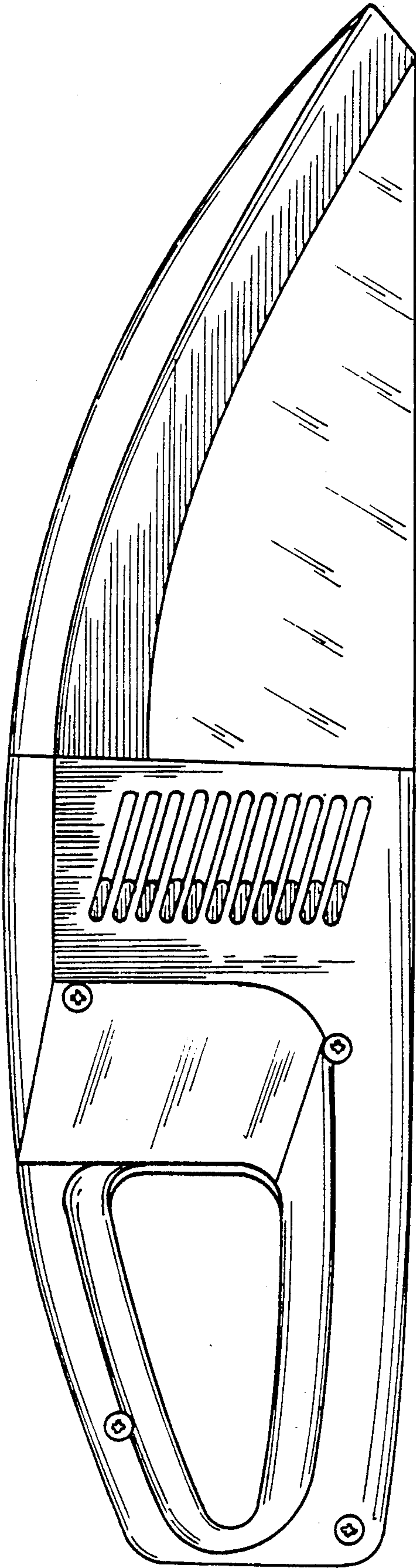


FIG. 4.

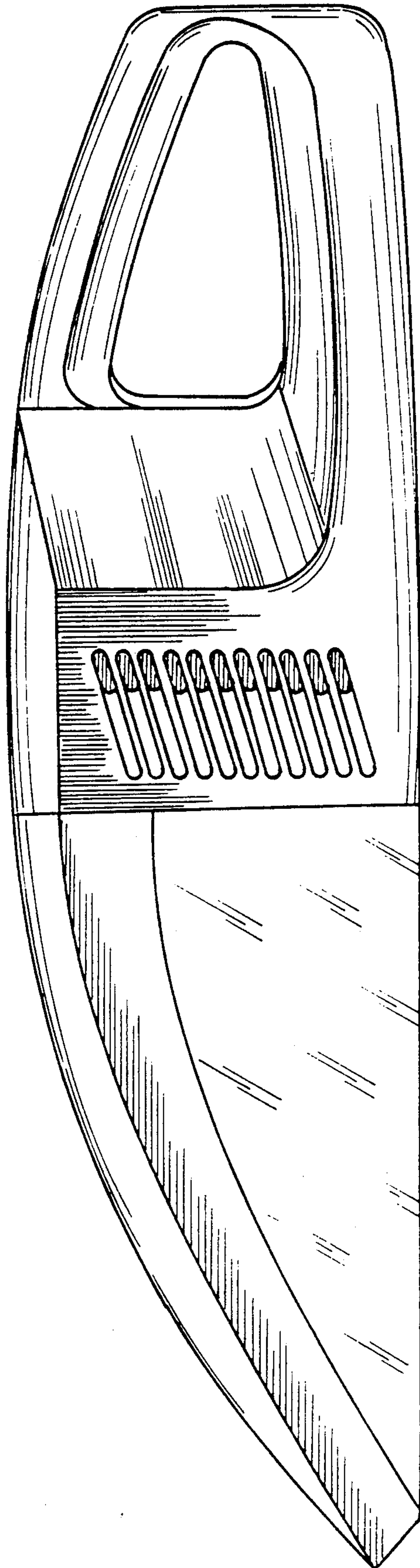


FIG. 5.

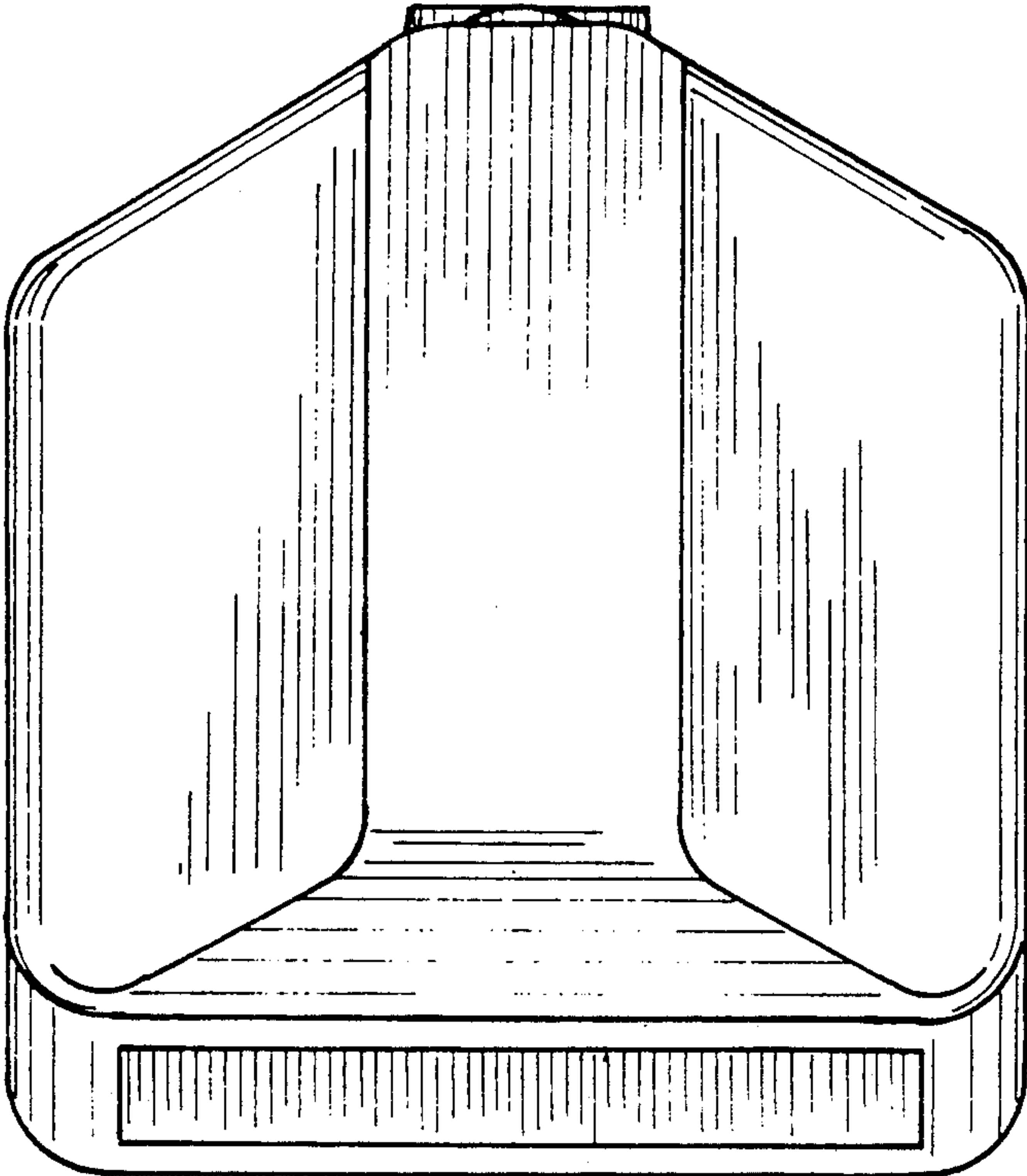


FIG. 6.

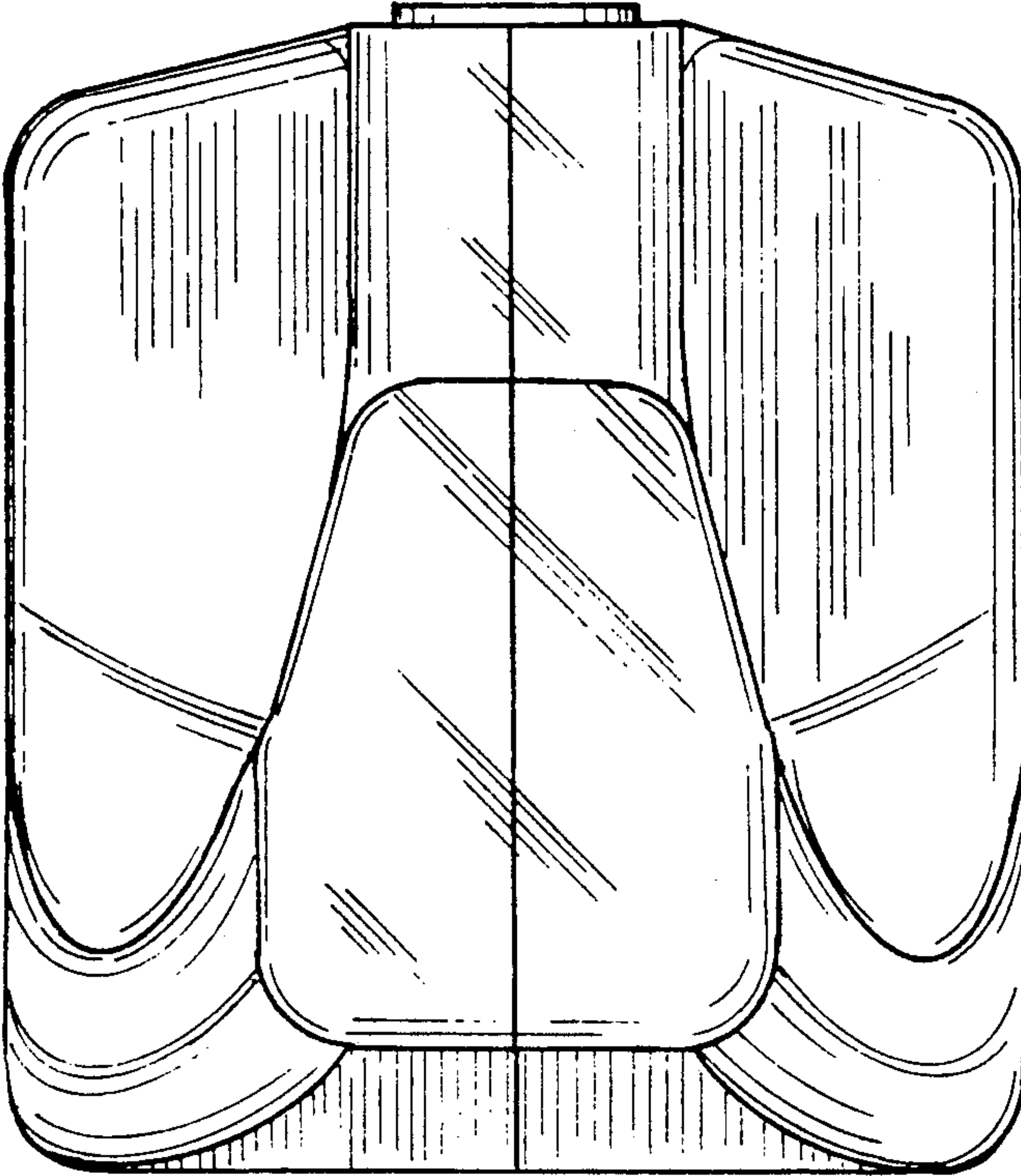


FIG. 7.