

[54] SUPPORTING CHANNEL FOR WALL MOUNTED TRACK LIGHTING SYSTEM

4,768,964 9/1988 Zucchini 439/110
4,812,134 3/1989 Miller 439/110
4,857,670 8/1989 Frank 174/101

[76] Inventors: Ruth E. Miller; Jack V. Miller, both of 700 N. Auburn Ave., Sierra Madre, Calif. 91024

[**] Term: 14 Years

[21] Appl. No.: 391,841

[22] Filed: Aug. 10, 1989

[52] U.S. Cl. D26/140; D13/155; D25/119

[58] Field of Search D25/119, 121, 123, 125; D26/118, 138; D13/155; 174/68.3, 101; 439/110-120; 52/716, 468, 255, 287

[56] References Cited

U.S. PATENT DOCUMENTS

D. 210,935	5/1968	Cook	D25/119
D. 223,520	11/1974	Le Van	D25/119
D. 253,130	10/1979	Broadbent	D25/125
D. 253,131	10/1979	Broadbent	D25/125
D. 286,194	10/1986	Bancroft	D25/125
D. 306,079	2/1990	Whitney	D25/119
3,486,283	12/1969	Arnett	52/716
3,603,054	9/1971	Didry	D25/125 X

OTHER PUBLICATIONS

Koch & Lowy Inc., "Trac Lights" Catalog, p. 3, Track Extrusion.

Primary Examiner—Susan J. Lucas

[57] CLAIM

The ornamental design for a support channel for wall mounted track lighting system, as shown and described.

DESCRIPTION

FIG. 1 is a top, front perspective view of a supporting channel for wall mounted track lighting system showing our new design;

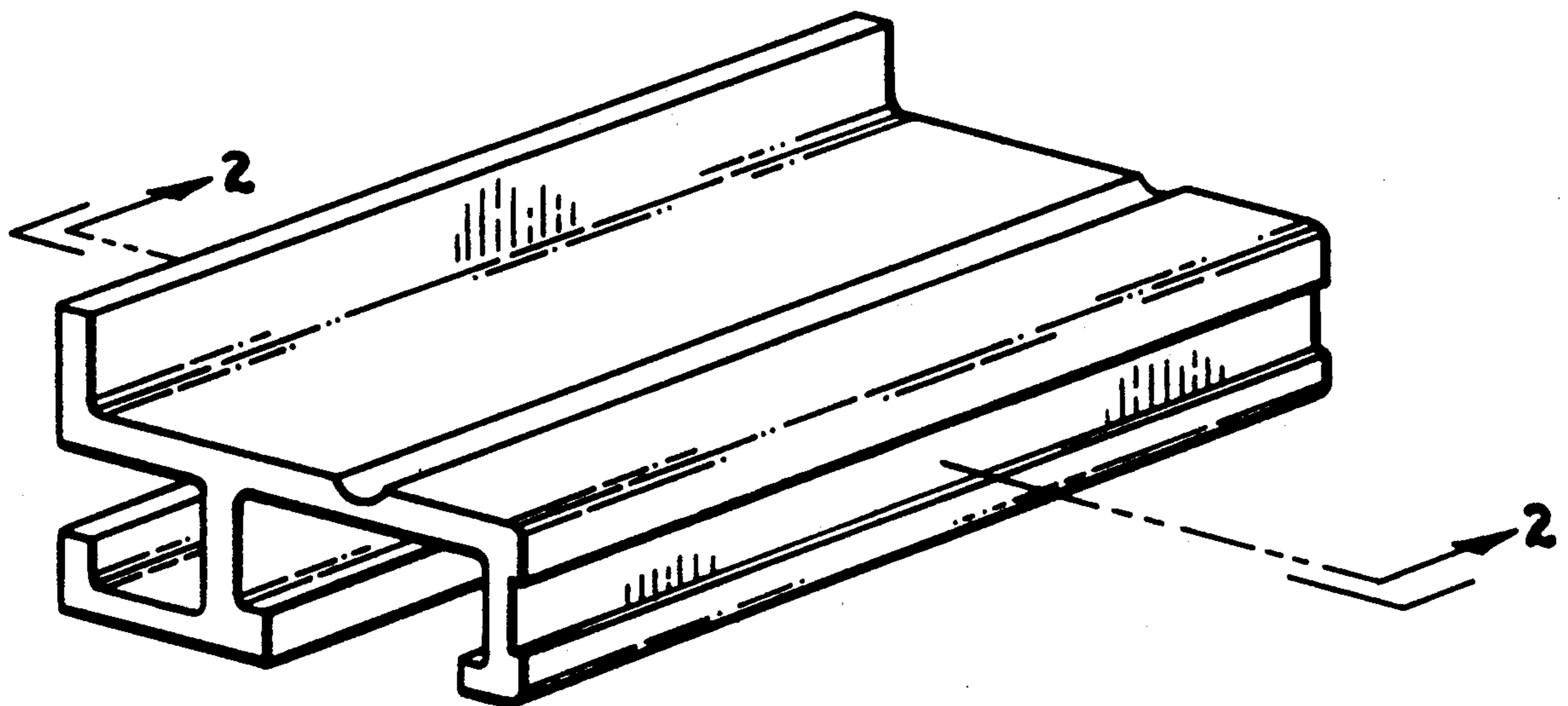
FIG. 2 is a cross-sectional view thereof as taken along line 2—2 of FIG. 1;

FIG. 3 is a cross-sectional view of a second embodiment of our new design;

FIG. 4 is a cross-sectional view of a third embodiment of our new design.

FIG. 5 is a cross-sectional view of a fourth embodiment of our new design.

It is understood that all undisclosed exterior surfaces of all embodiments are plain and unornamented.



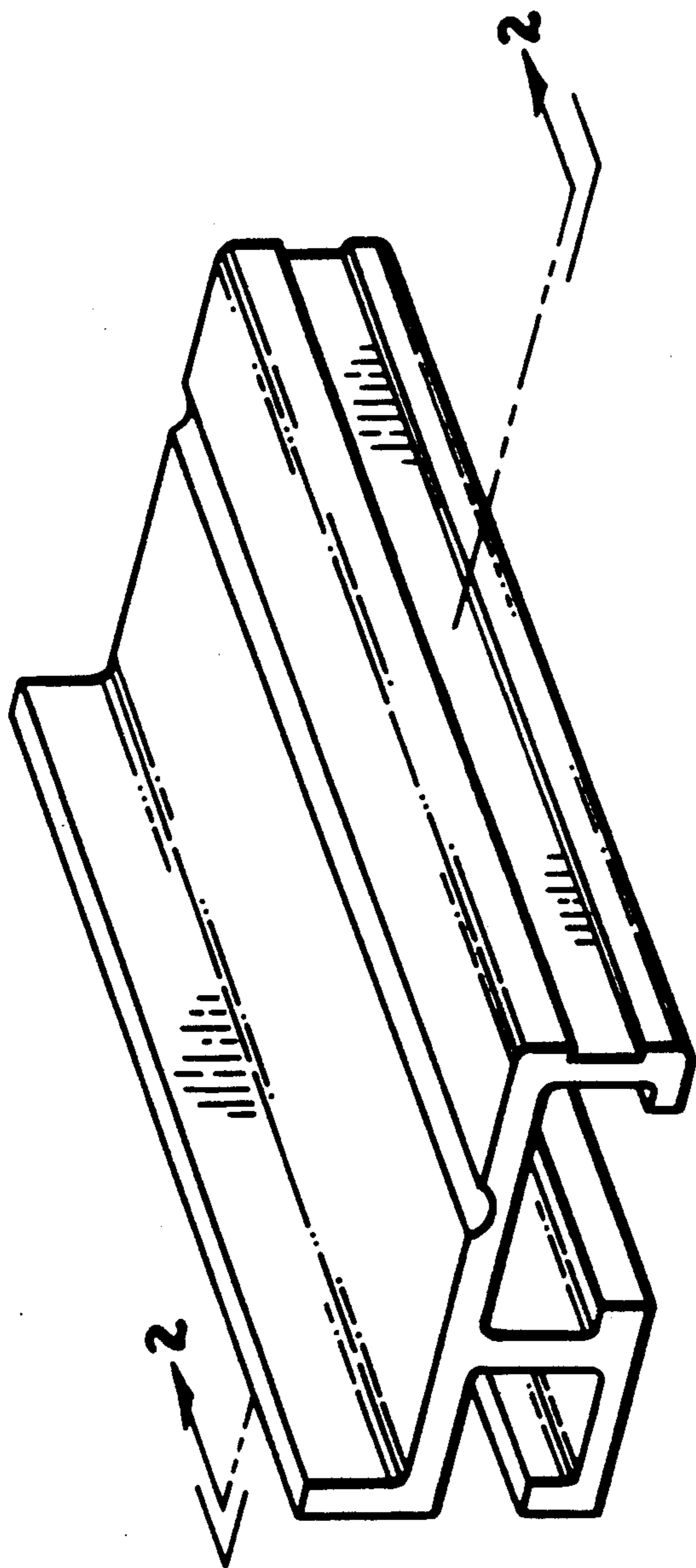


FIG. 1

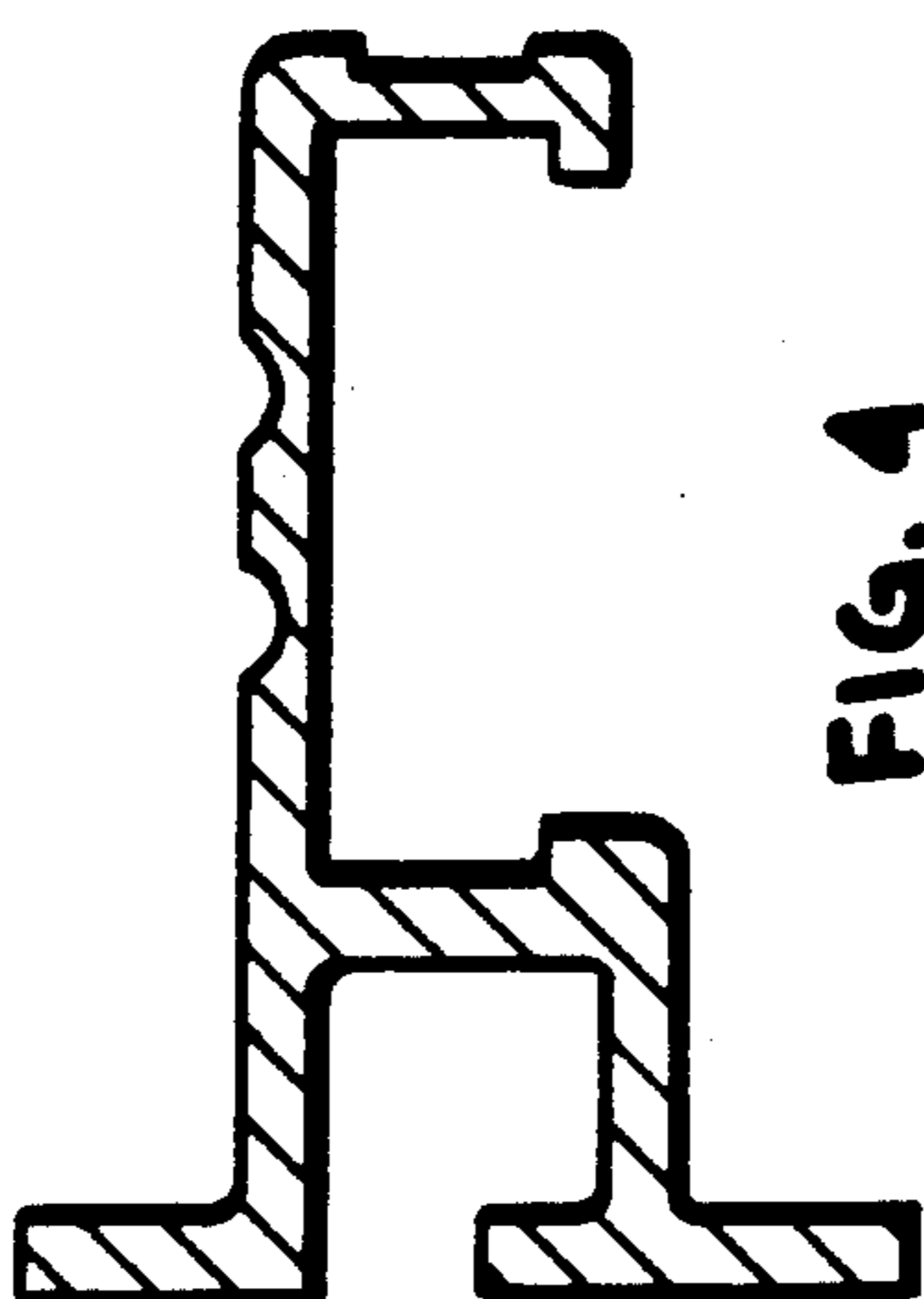


FIG. 4

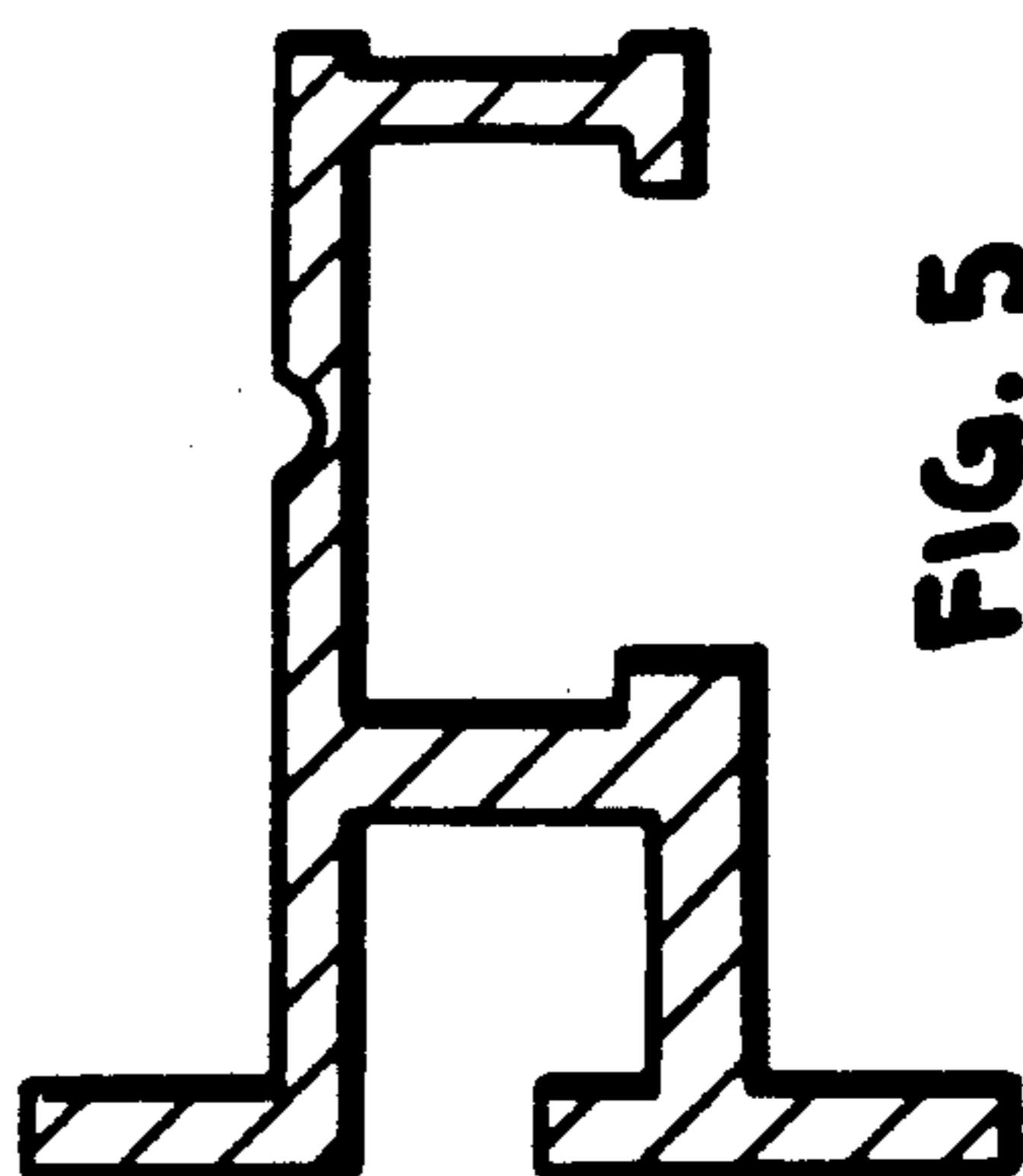


FIG. 5

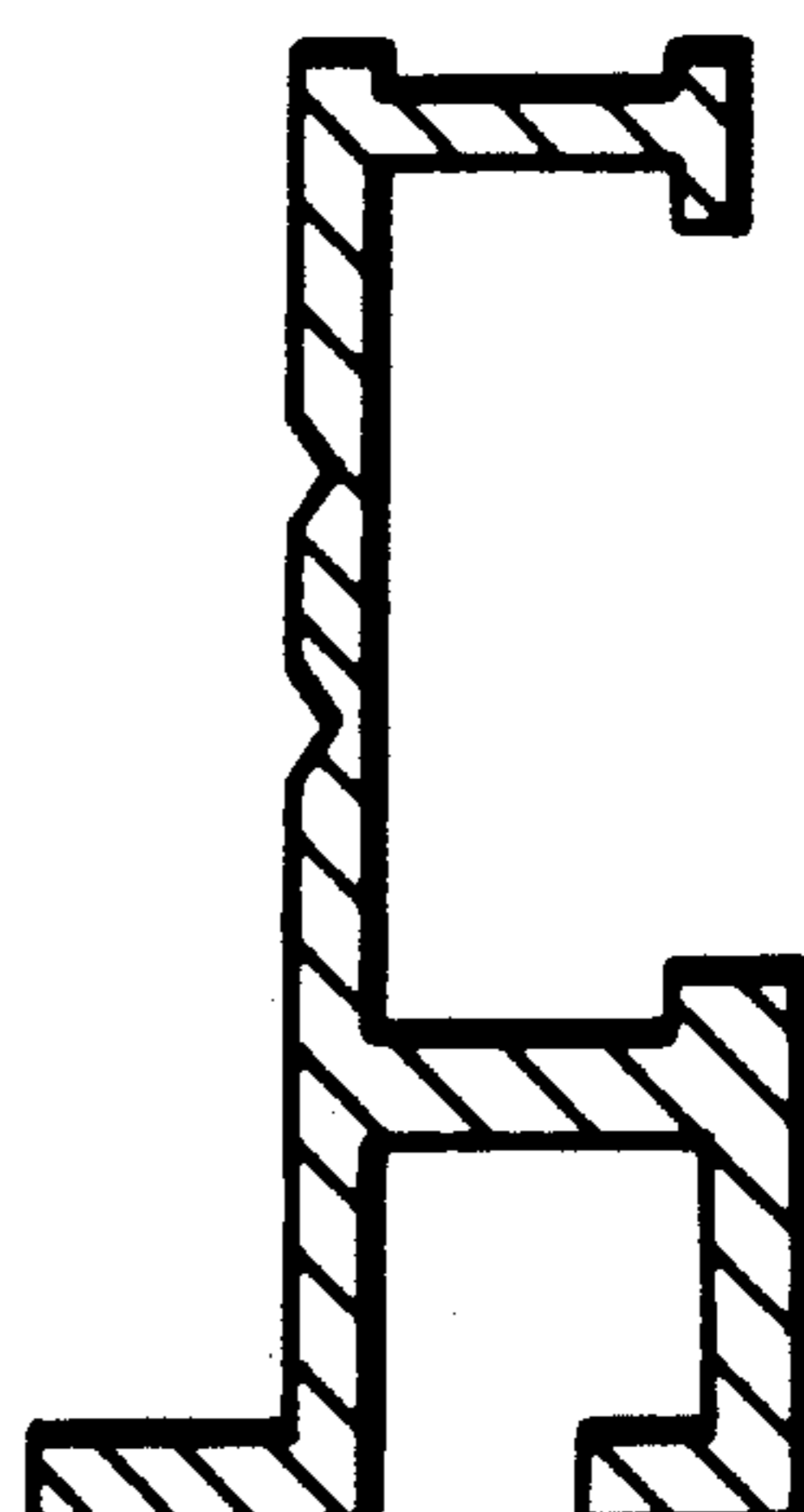


FIG. 3

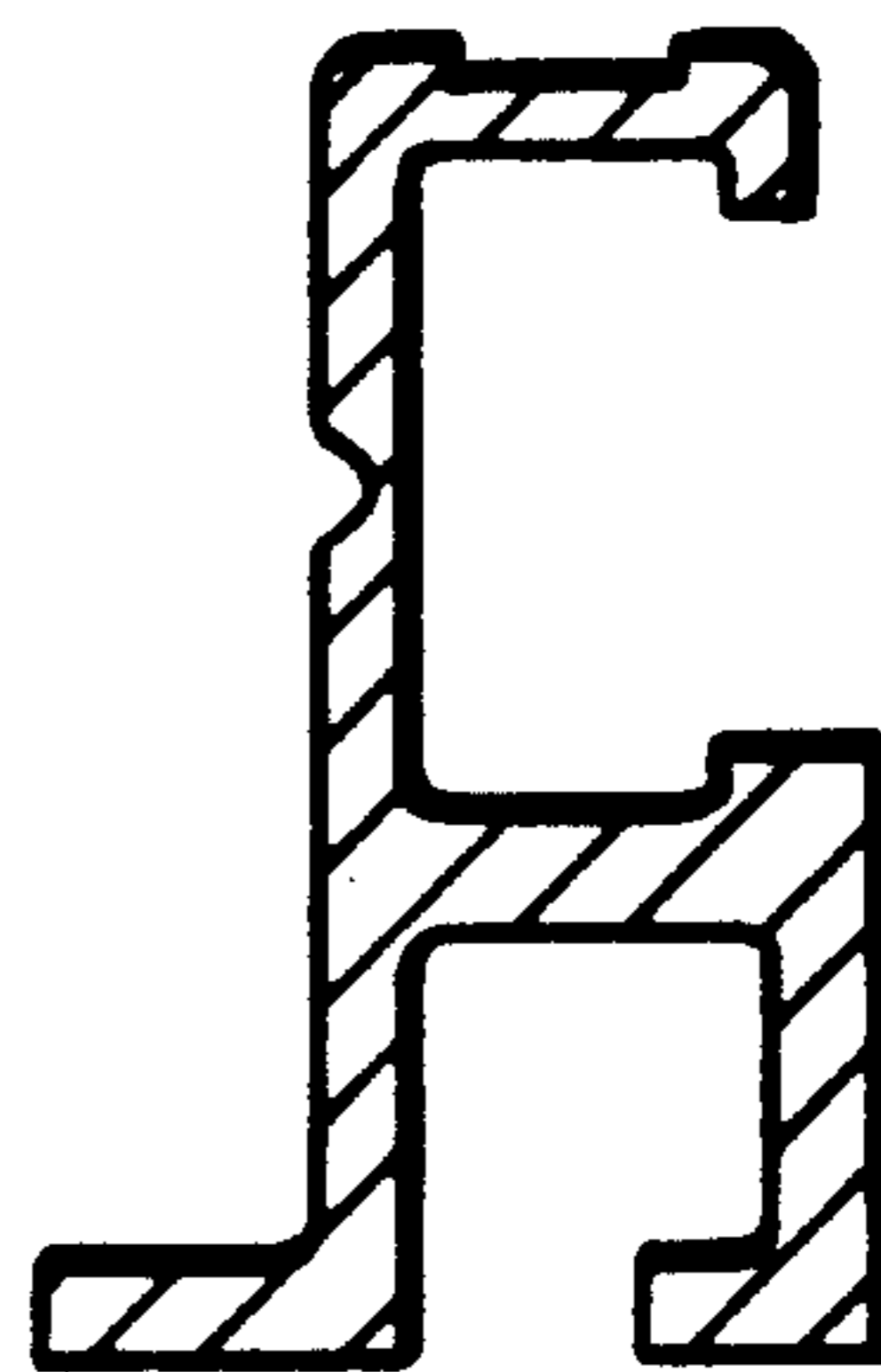


FIG. 2