

[54] GLASS LAMP SHADE

[75] Inventor: Fran M. Dordick, Lyndhurst, Ohio

[73] Assignee: The L. D. Kichler Company, Cleveland, Ohio

[\*\*] Term: 14 Years

[21] Appl. No.: 428,738

[22] Filed: Oct. 30, 1989

1,019,179	3/1912	Mygatt	362/340
1,042,463	10/1912	Mygatt	362/340
1,963,156	6/1934	Stewart	362/327

OTHER PUBLICATIONS

Kichler Lighting Catalog No. 487, pp. 37 and 65, Aug. 1987.

Primary Examiner—Susan J. Lucas  
Attorney, Agent, or Firm—Watts, Hoffmann, Fisher & Heinke

Related U.S. Application Data

[63] Continuation-in-part of Ser. No. 365,033, Jun. 12, 1989.

[52] U.S. Cl. .... D26/131

[58] Field of Search ..... D26/118, 128-137;  
362/326-361

[56] References Cited

U.S. PATENT DOCUMENTS

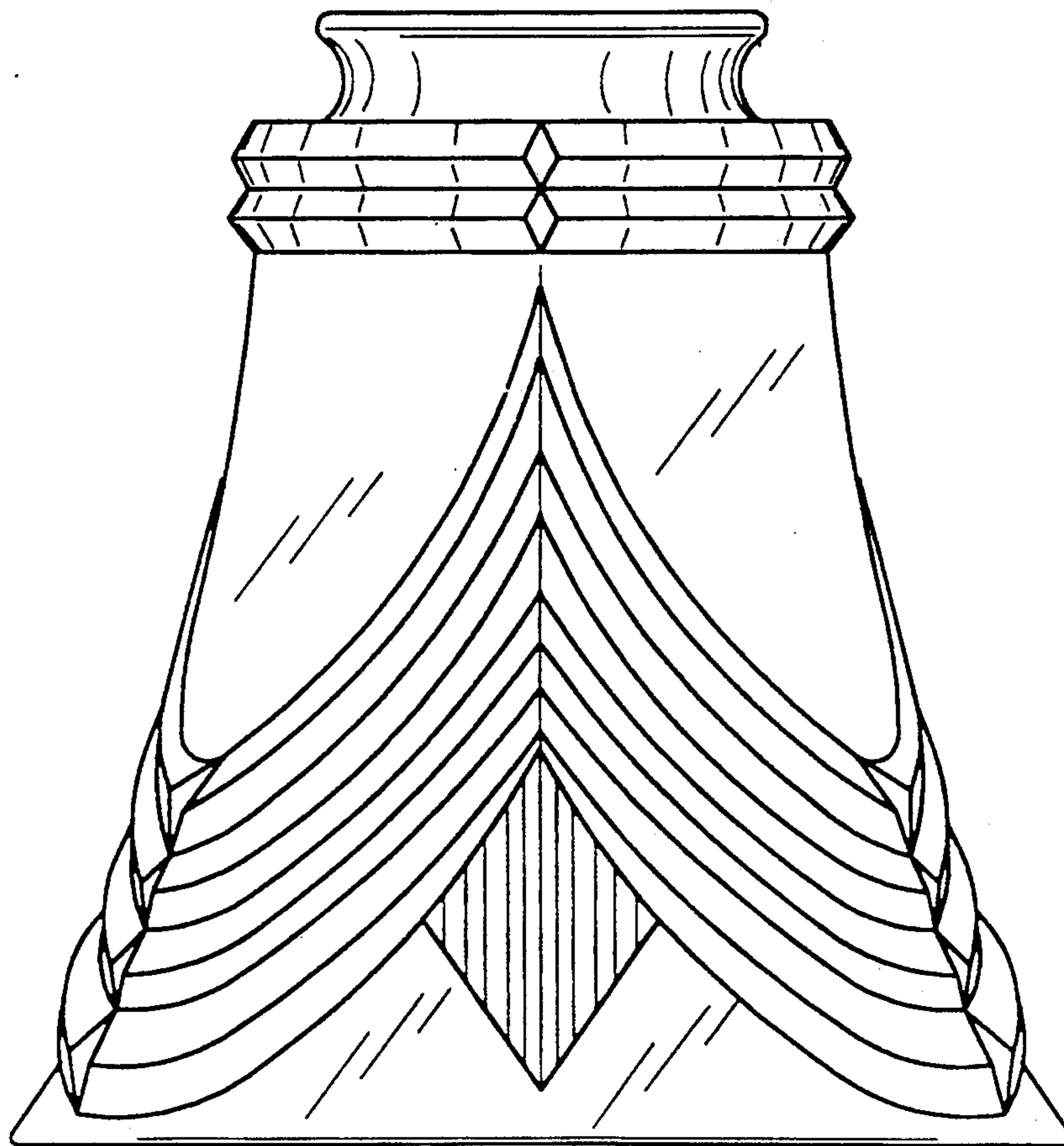
187,423 2/1877 Shirley ..... 362/327

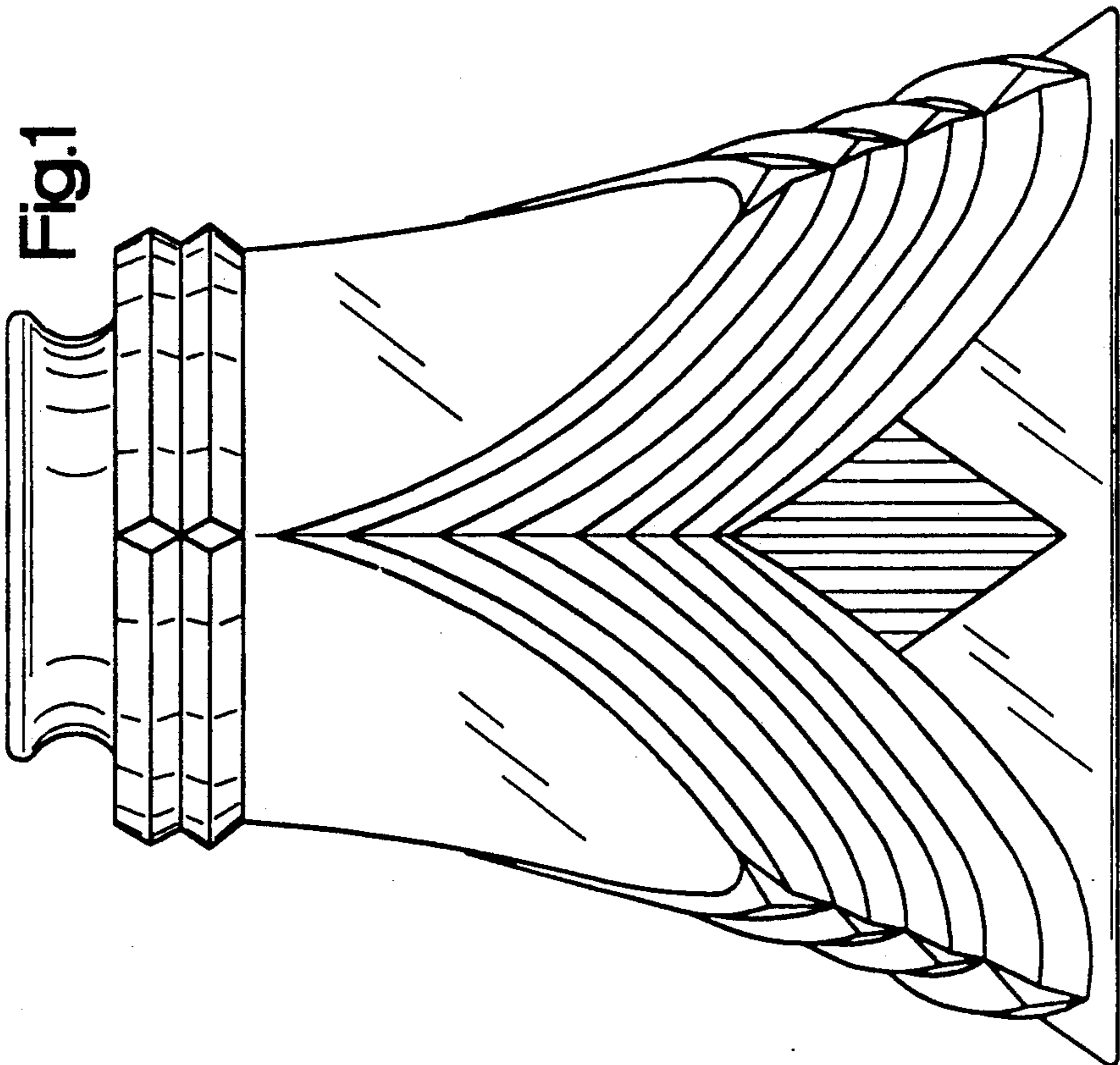
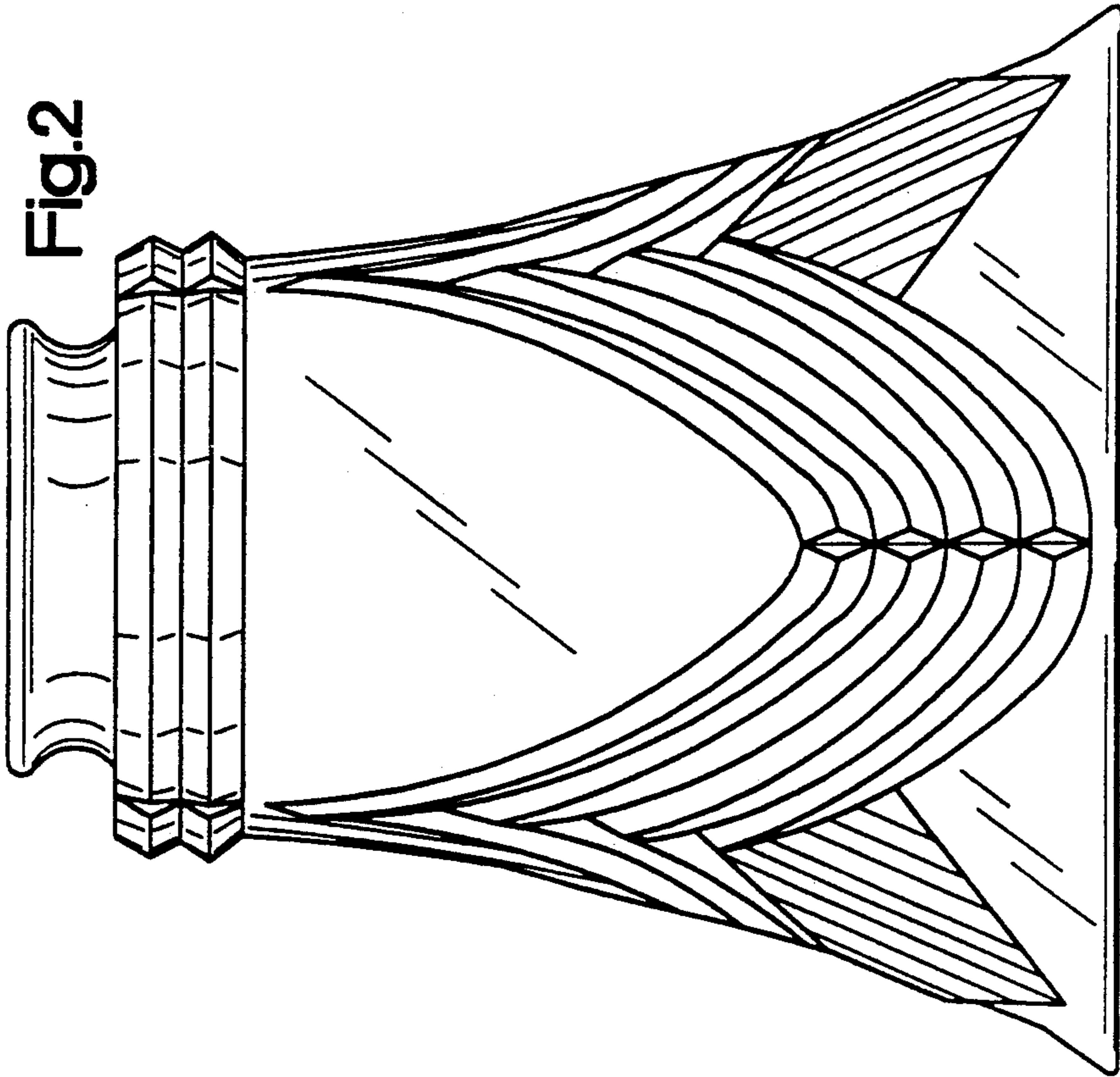
CLAIM

[57] The ornamental design for glass lamp shade, as shown.

DESCRIPTION

FIG. 1 is a side elevational view of a glass lamp shade showing my new design;  
FIG. 2 is a side elevational view thereof as turned 60 degrees from the position shown in FIG. 1;  
FIG. 3 is a top plan view thereof;  
FIG. 4 is a bottom plan view thereof.





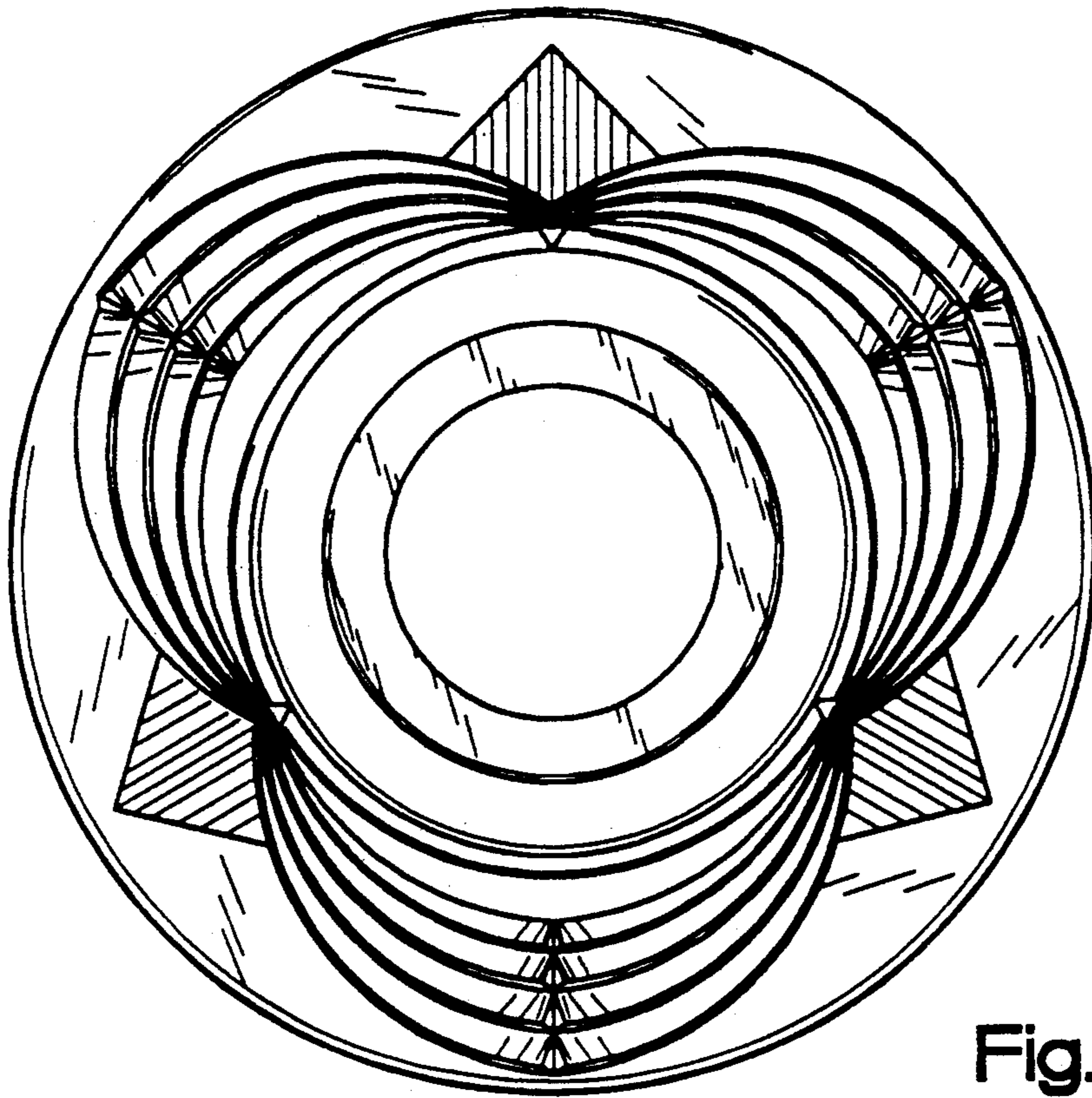


Fig.3

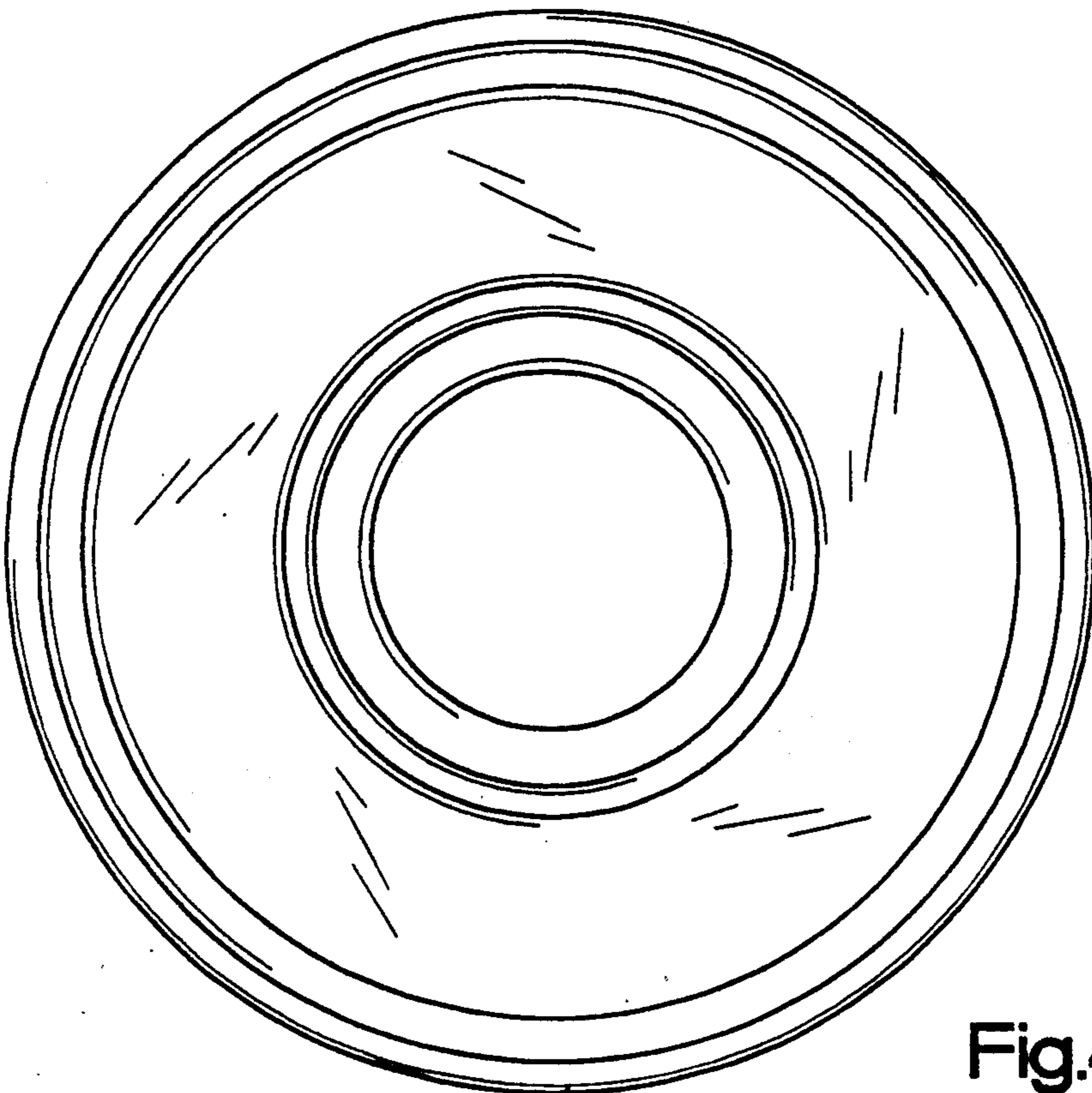


Fig.4