

United States Patent [19]

Risi et al.

[11] Patent Number: **Des. 320,088**

[45] Date of Patent: **** Sep. 17, 1991**

[54] **MODULAR BLOCK**

[75] Inventors: **Angelo Risi; Antonio Risi**, both of
Richmond Hill, Canada

[73] Assignee: **Rothbury Investments Limited**,
Gormley, Canada

[**] Term: **14 Years**

[21] Appl. No.: **367,108**

[22] Filed: **Jun. 16, 1989**

[30] **Foreign Application Priority Data**

Dec. 16, 1988 [CA] Canada 16-12-88-8

[52] U.S. Cl. **D25/113**

[58] Field of Search **D25/112-118,**
D25/140, 151-157, 164; 52/102, 596, 598,
602-608, 98-100; 404/17, 19, 27, 29, 37-42;
446/85, 87, 102, 112, 116-118

[56] **References Cited**

U.S. PATENT DOCUMENTS

2,099,213 11/1937 Macomber D25/113
2,114,244 4/1938 Zoetl 52/605
4,860,505 8/1989 Bender 52/605

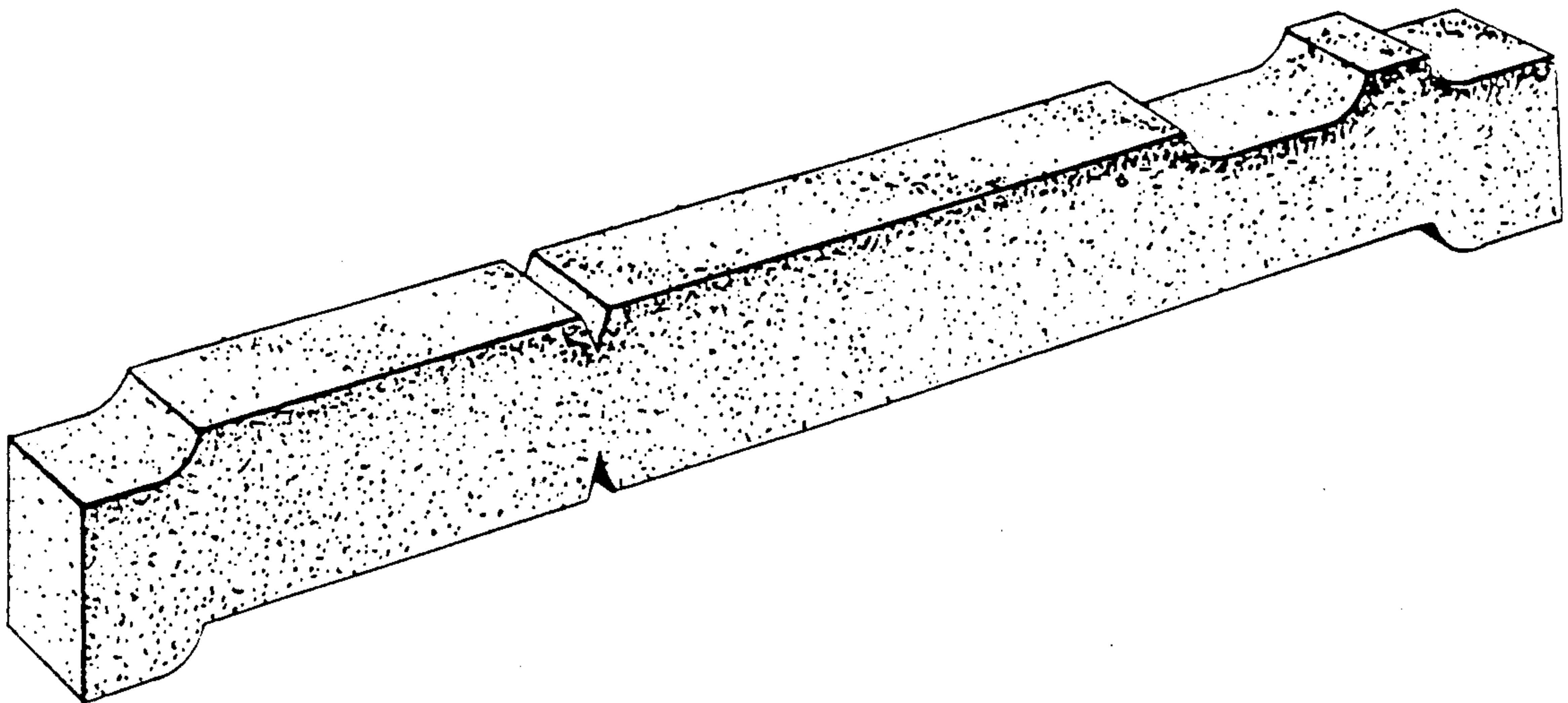
Primary Examiner—A. Hugo Word
Assistant Examiner—Doris Clark
Attorney, Agent, or Firm—Weldon F. Green

[57] **CLAIM**

The ornamental design for a modular block, as shown.

DESCRIPTION

FIG. 1 is a top perspective view of a modular block showing our new design;
FIG. 2 is a bottom perspective view thereof;
FIG. 3 is a top perspective view of a second embodiment of a modular block showing our new design;
FIG. 4 is a bottom perspective view thereof;
FIG. 5 is a top perspective view of a third embodiment of a modular block showing our new design;
FIG. 6 is a bottom perspective view thereof;
FIG. 7 is a top perspective view of a fourth embodiment of a modular block showing our new design; and
FIG. 8 is a bottom perspective view thereof.



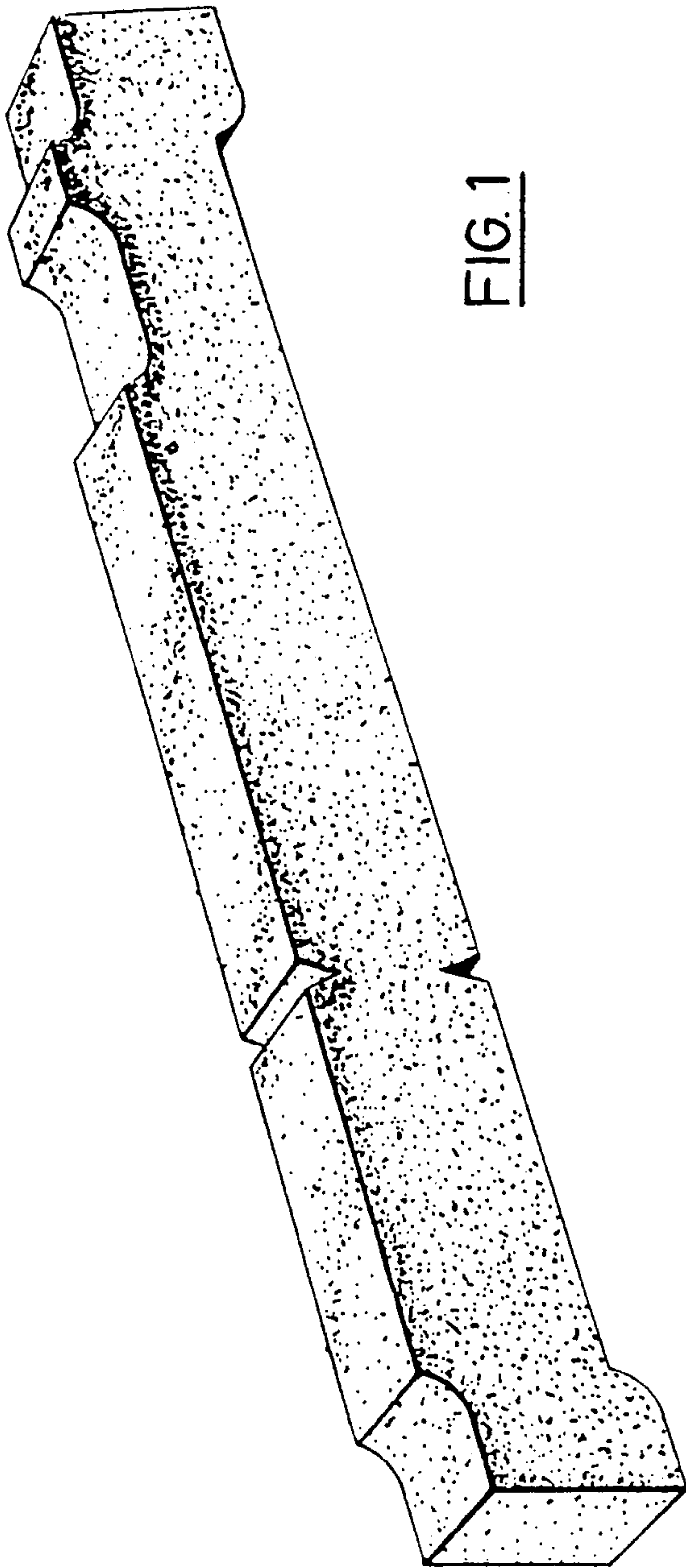


FIG. 1

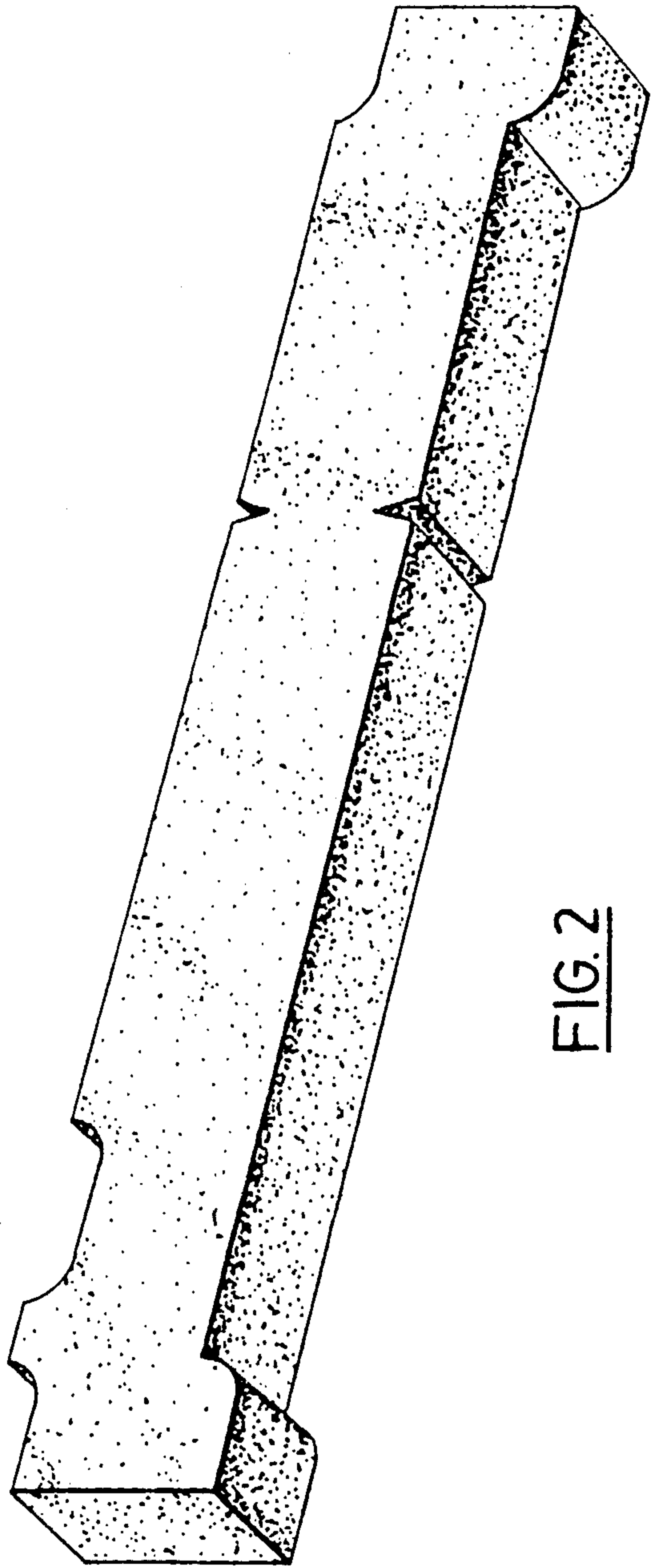


FIG. 2

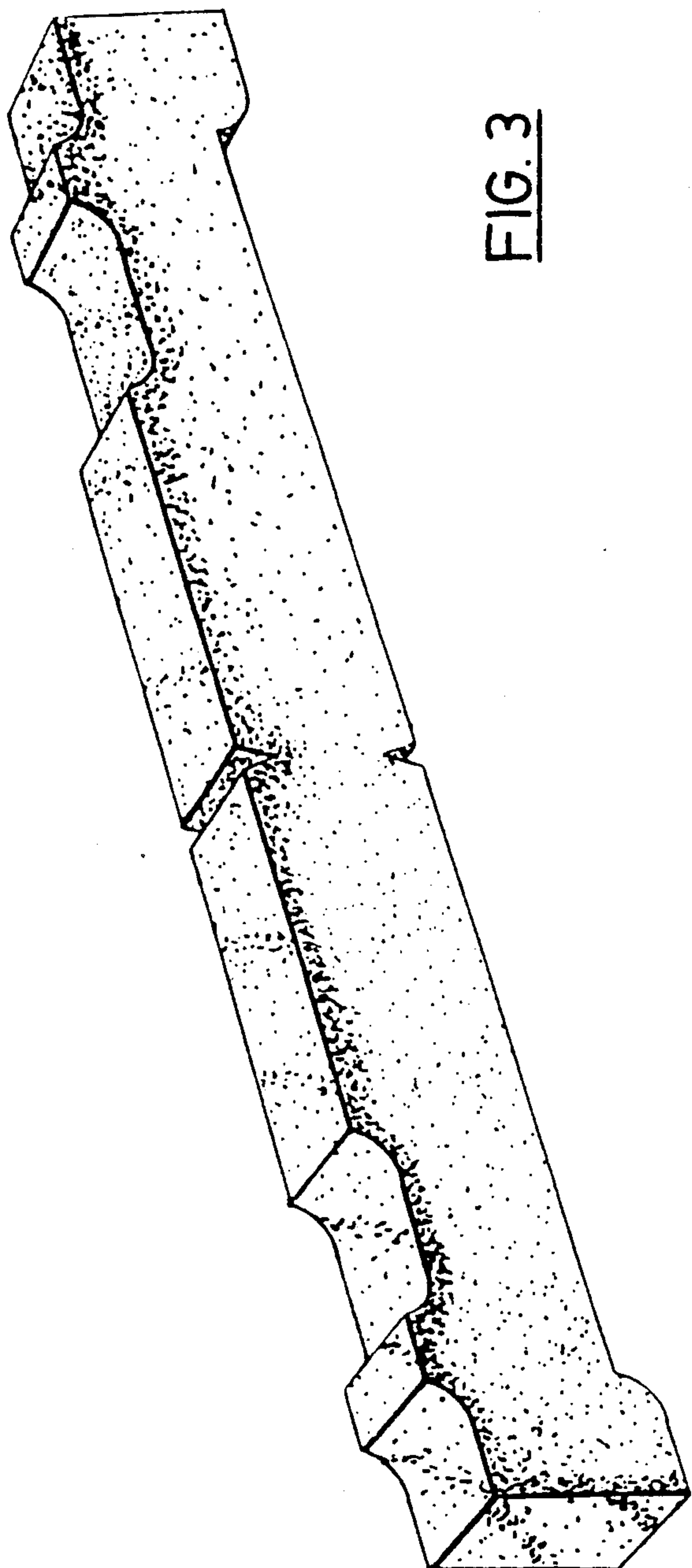


FIG. 3

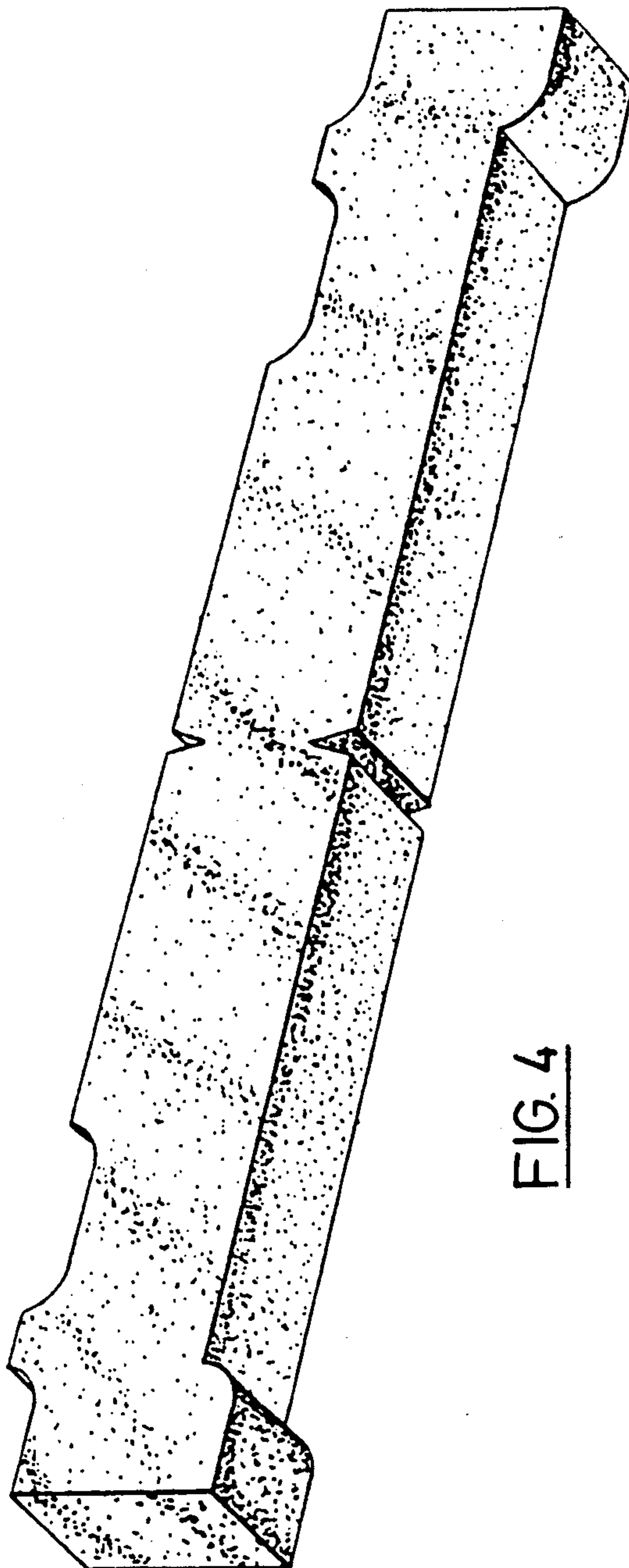


FIG. 4

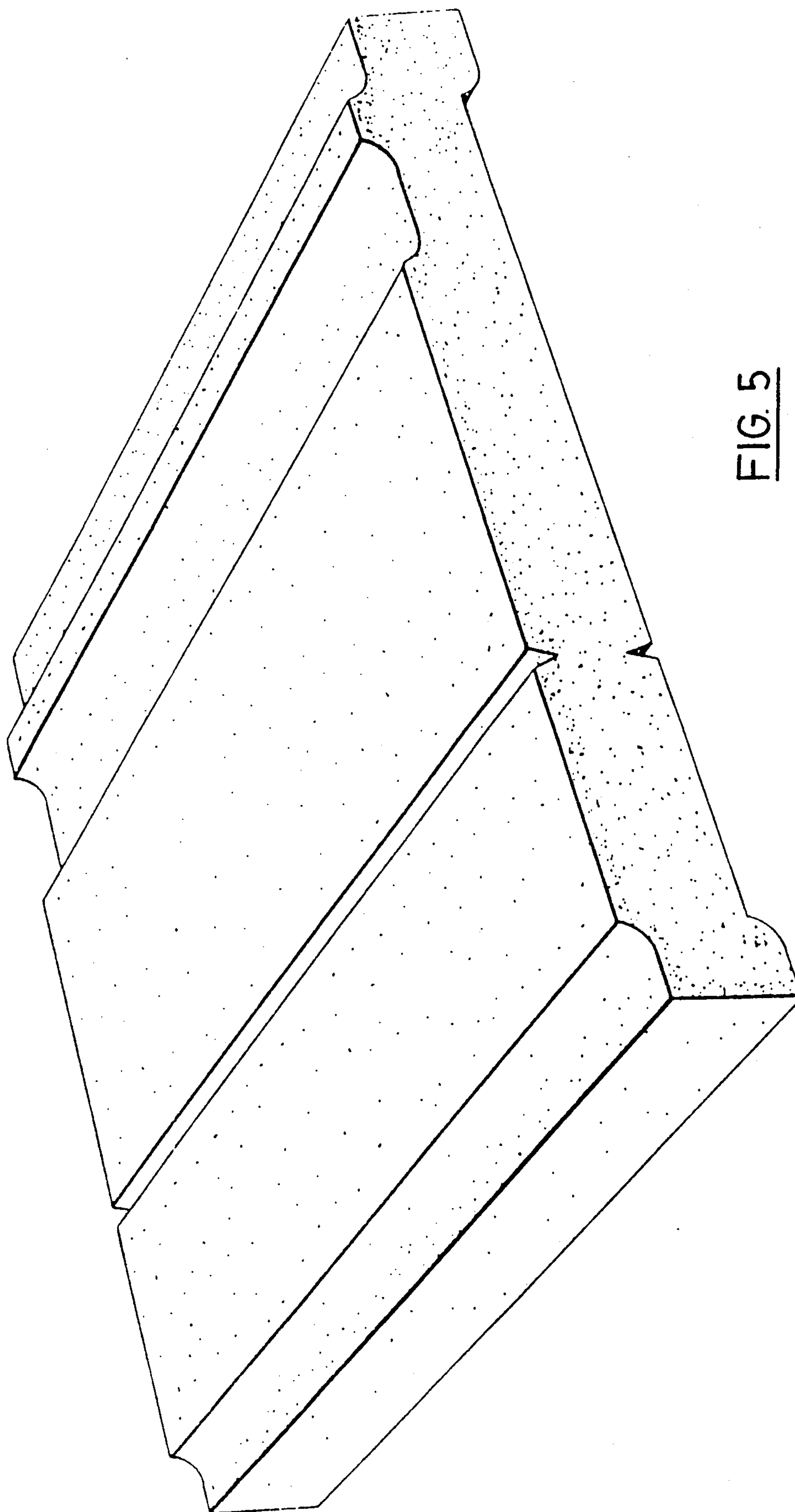


FIG. 5

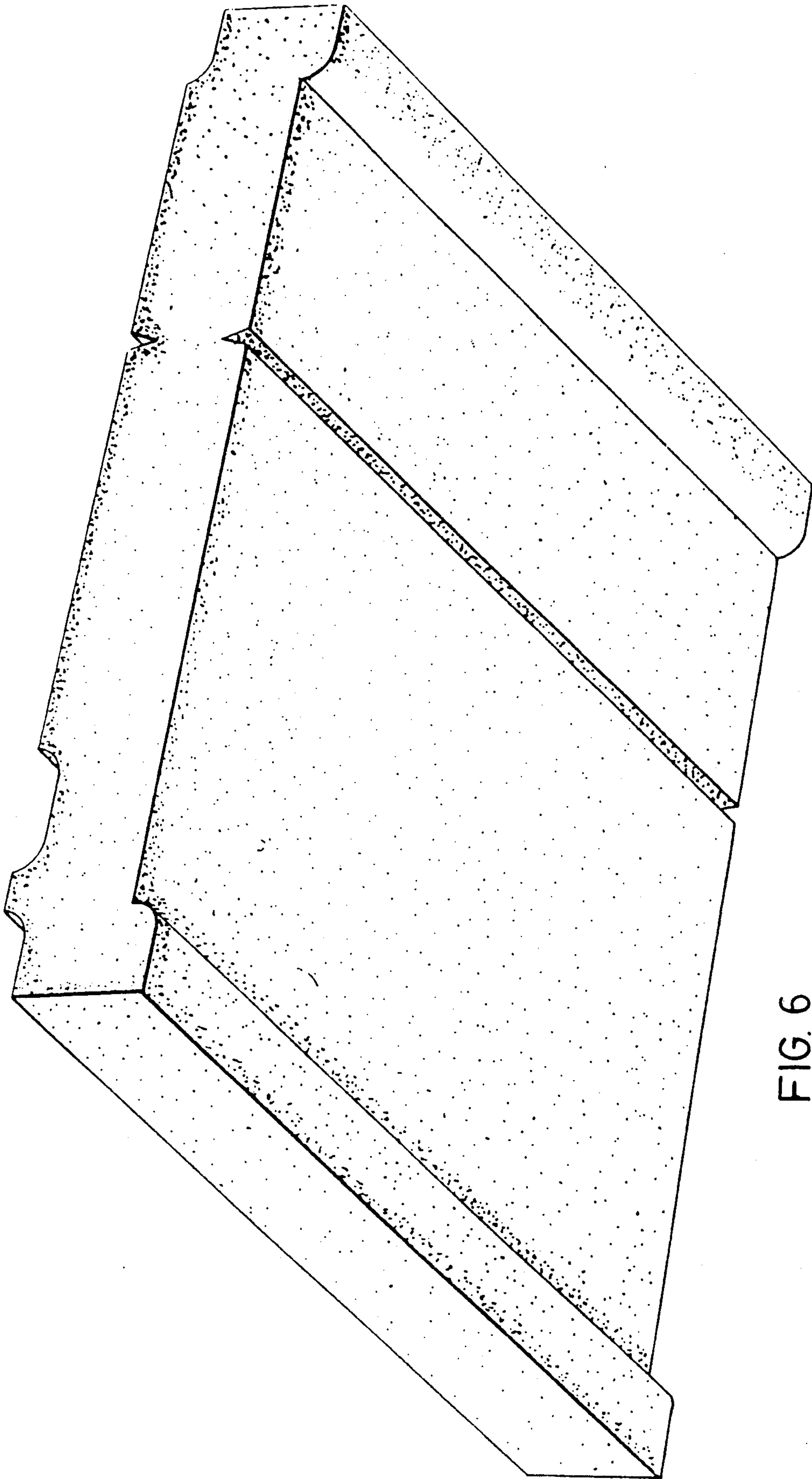


FIG. 6

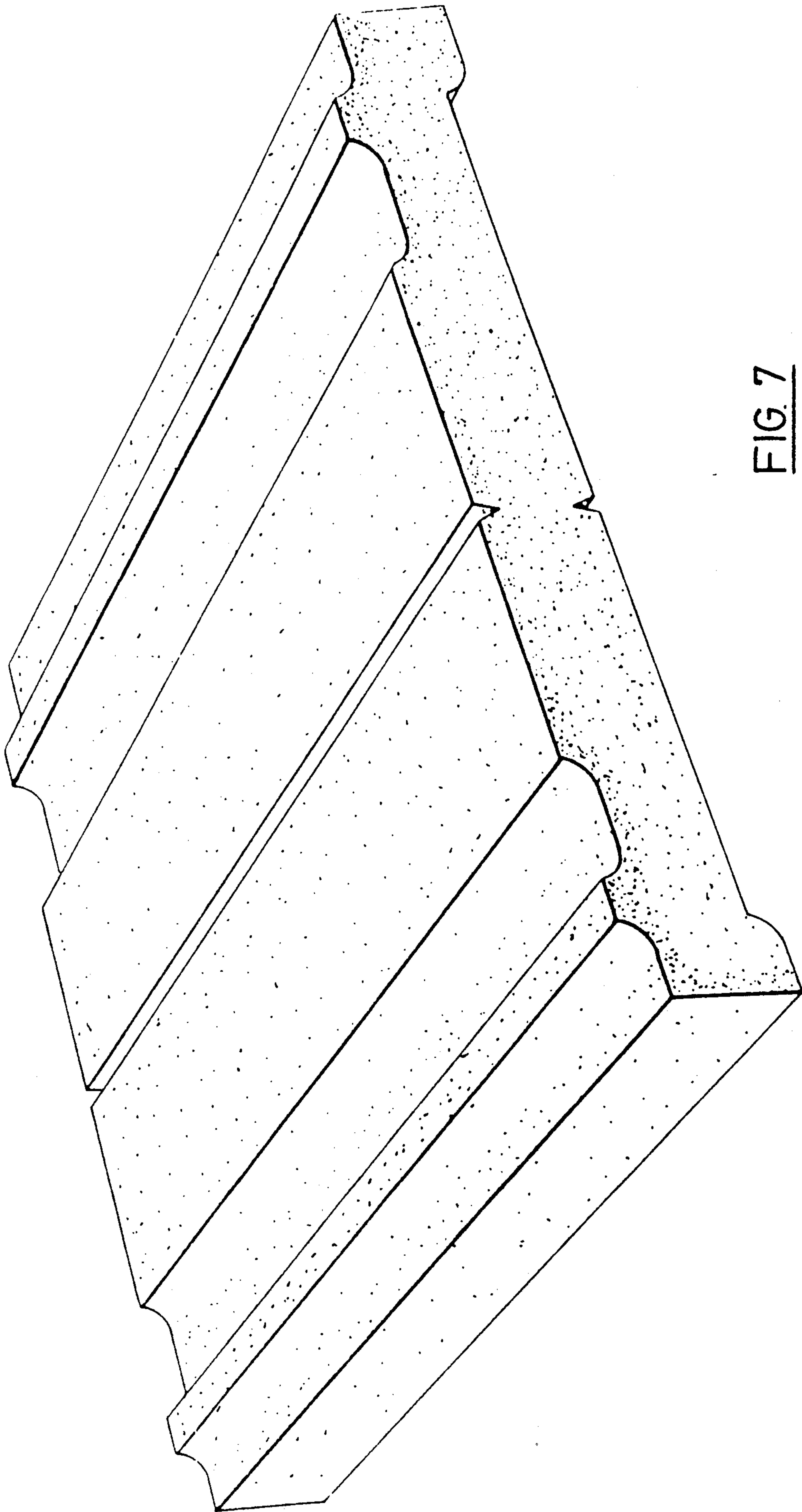


FIG. 7

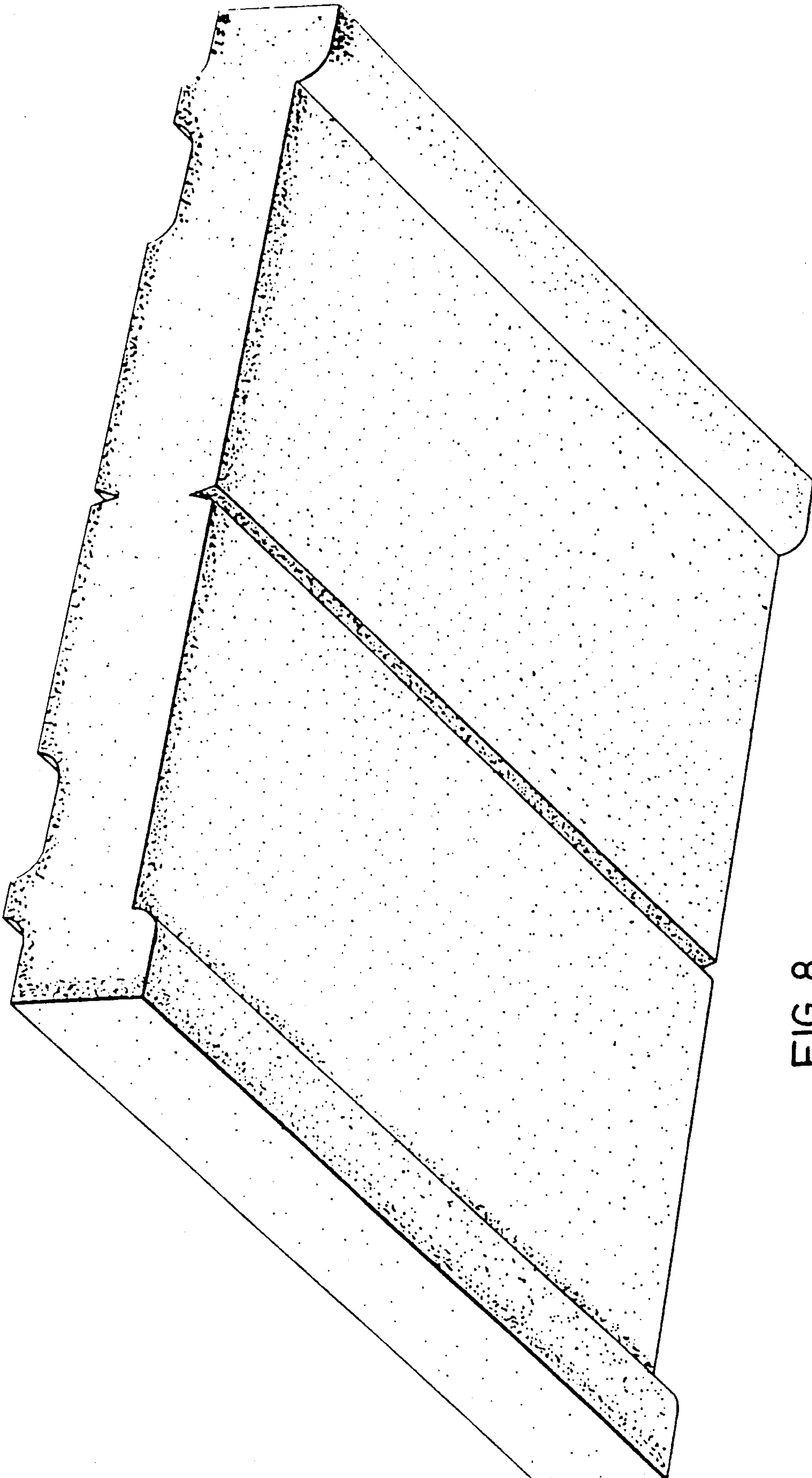


FIG. 8