

[54] WHIRLPOOL JET NOZZLE FOR BATHTUBS OR THE LIKE

[75] Inventor: William L. Moeller, Allentown, N.J.

[73] Assignee: American Standard Inc., New York, N.Y.

[**] Term: 14 Years

[21] Appl. No.: 335,156

[22] Filed: Apr. 7, 1989

[52] U.S. Cl. D24/204

[58] Field of Search D24/38; 4/542, 541, 4/544, 492, 496; 128/66

[56] References Cited

U.S. PATENT DOCUMENTS

4,416,030	11/1983	Reynoso	4/542 X
4,422,191	12/1983	Jaworski	4/496
4,542,854	9/1985	Mathis	4/542 X

Primary Examiner—Stella Reid
Attorney, Agent, or Firm—John P. Sinnott

[57] CLAIM

The ornamental design for a whirlpool jet nozzle for bathtubs or the like, substantially as shown and described.

DESCRIPTION

FIG. 1 is a front, left side perspective view of a whirlpool jet nozzle for bathtubs or the like, showing my new design;

FIG. 2 is a side elevational view thereof, the opposite side being identical thereto;

FIG. 3 is a front elevational view thereof;

FIG. 4 is a rear elevational view thereof;

FIG. 5 is a top plan view thereof;

FIG. 6 is a bottom plan view thereof;

FIG. 7 is a cross-sectional view thereof, taken along line 7—7 of FIG. 1.

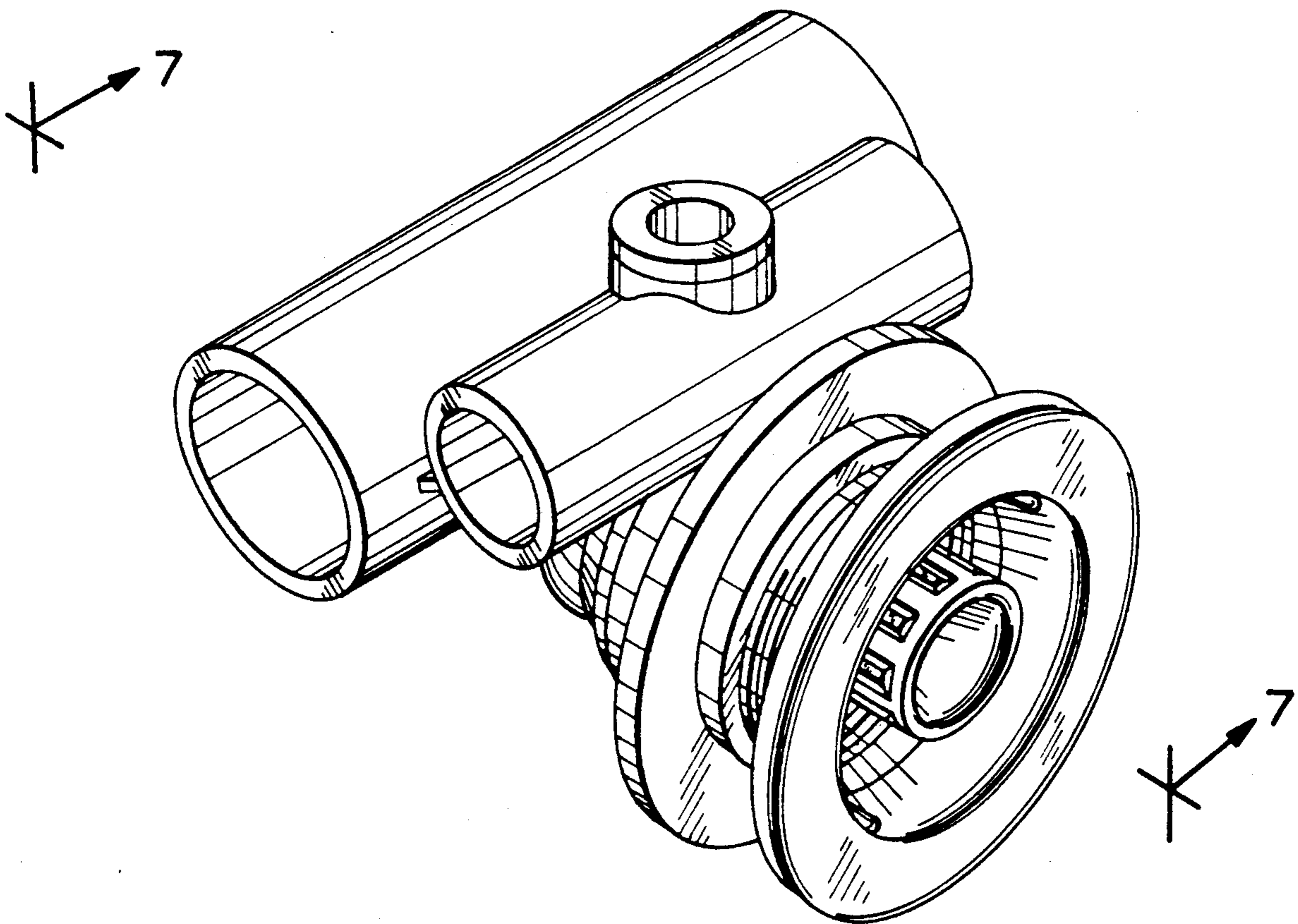


FIG. 1

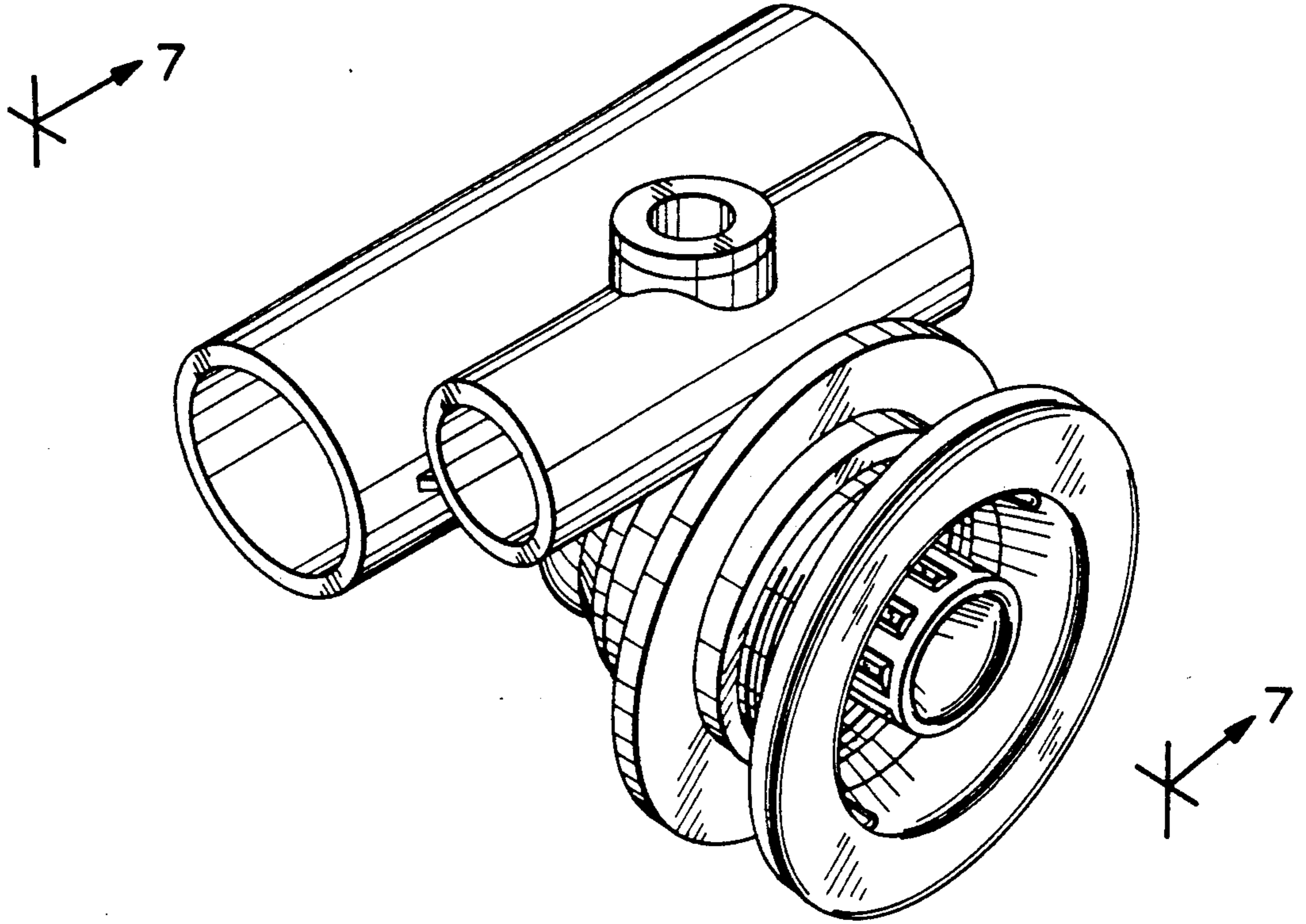


FIG. 2

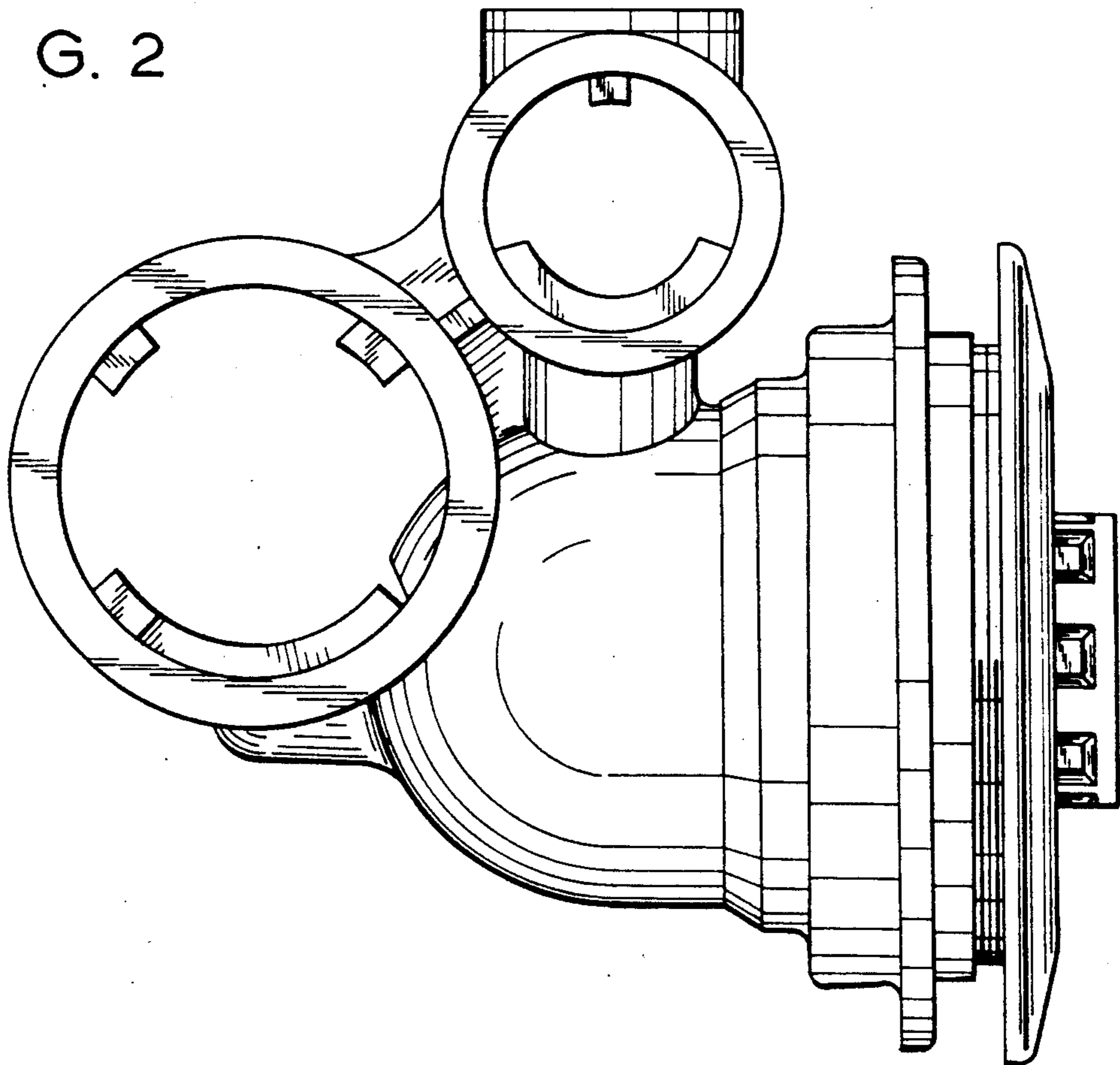


FIG. 3

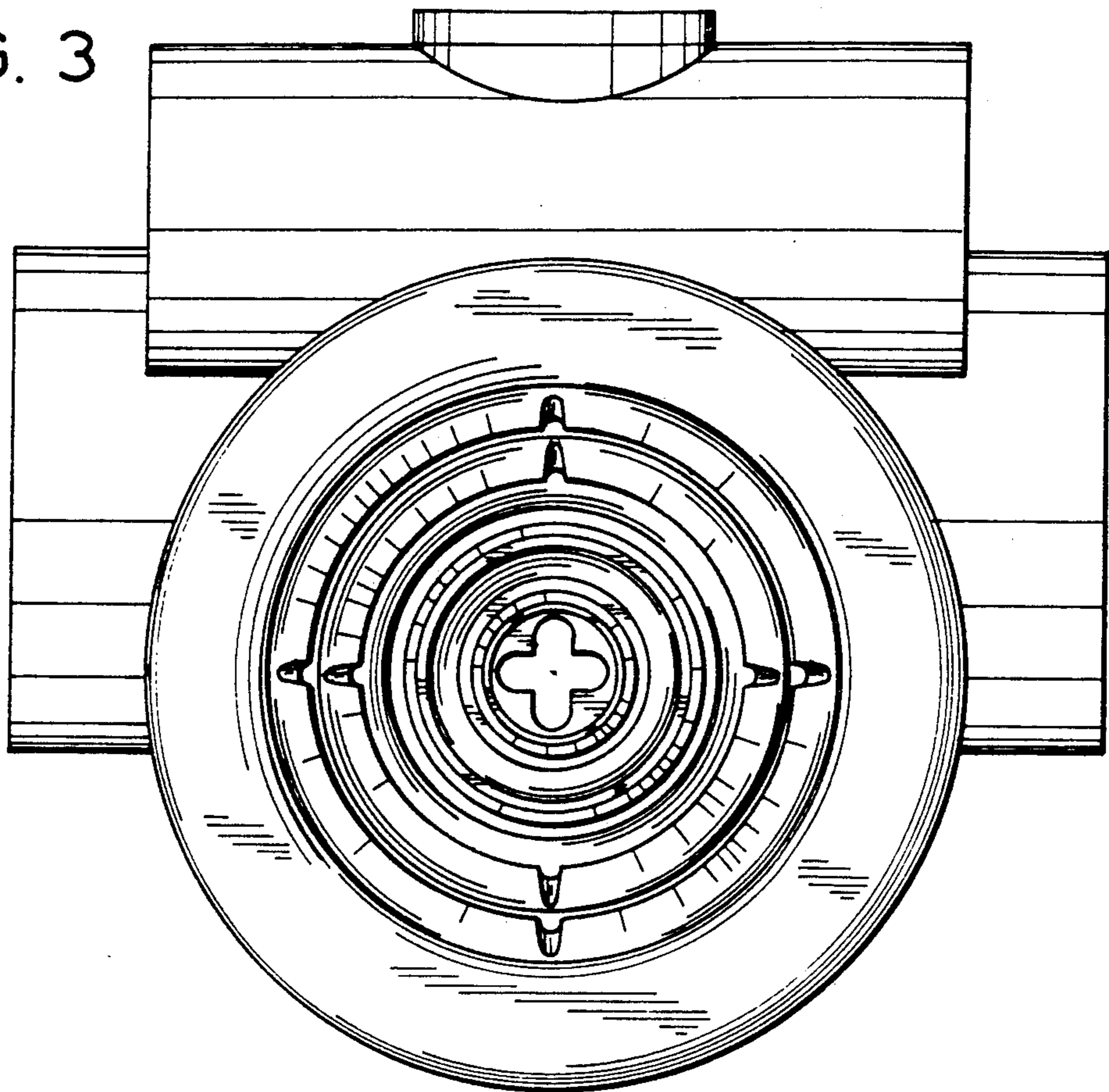
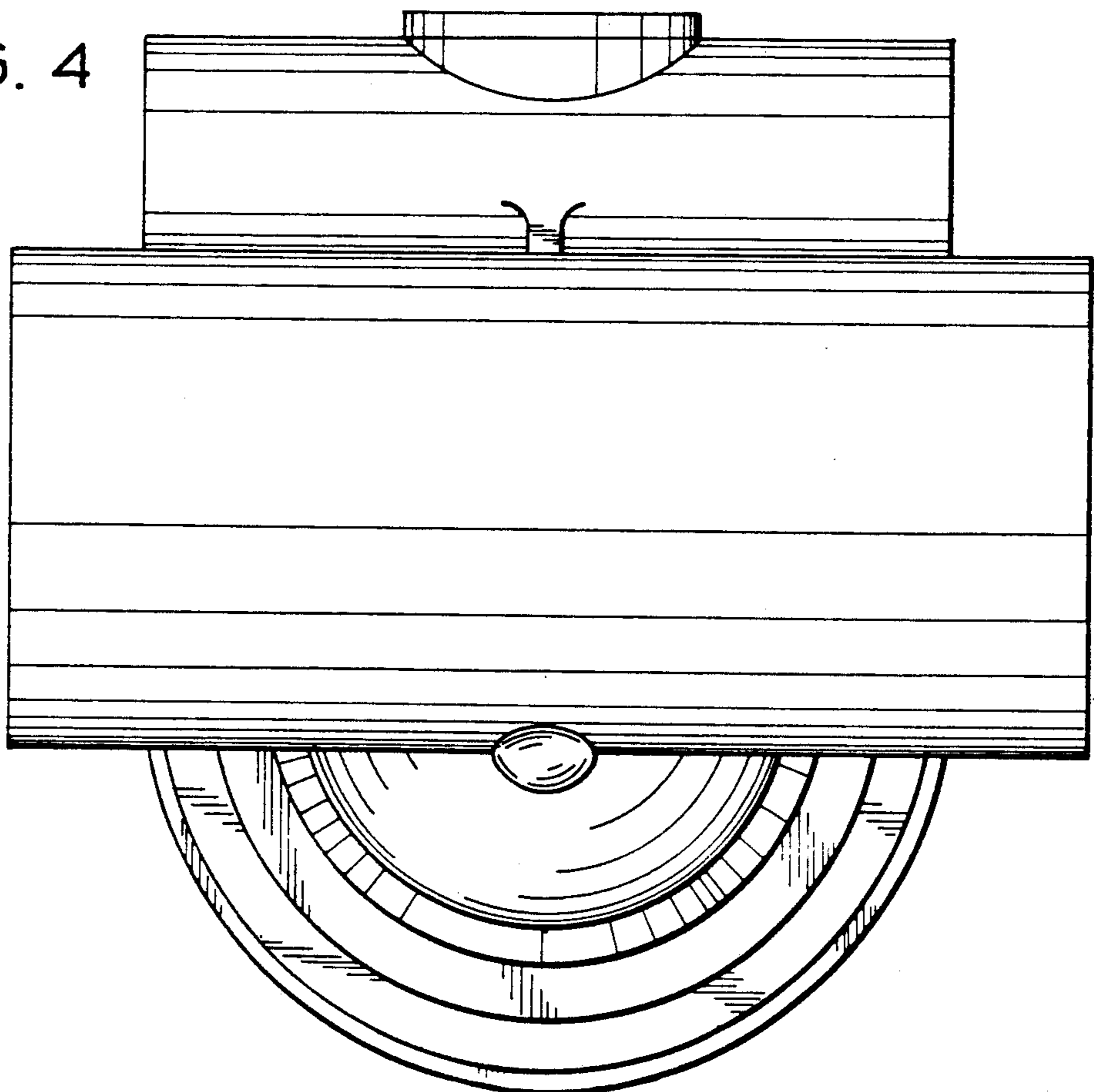


FIG. 4



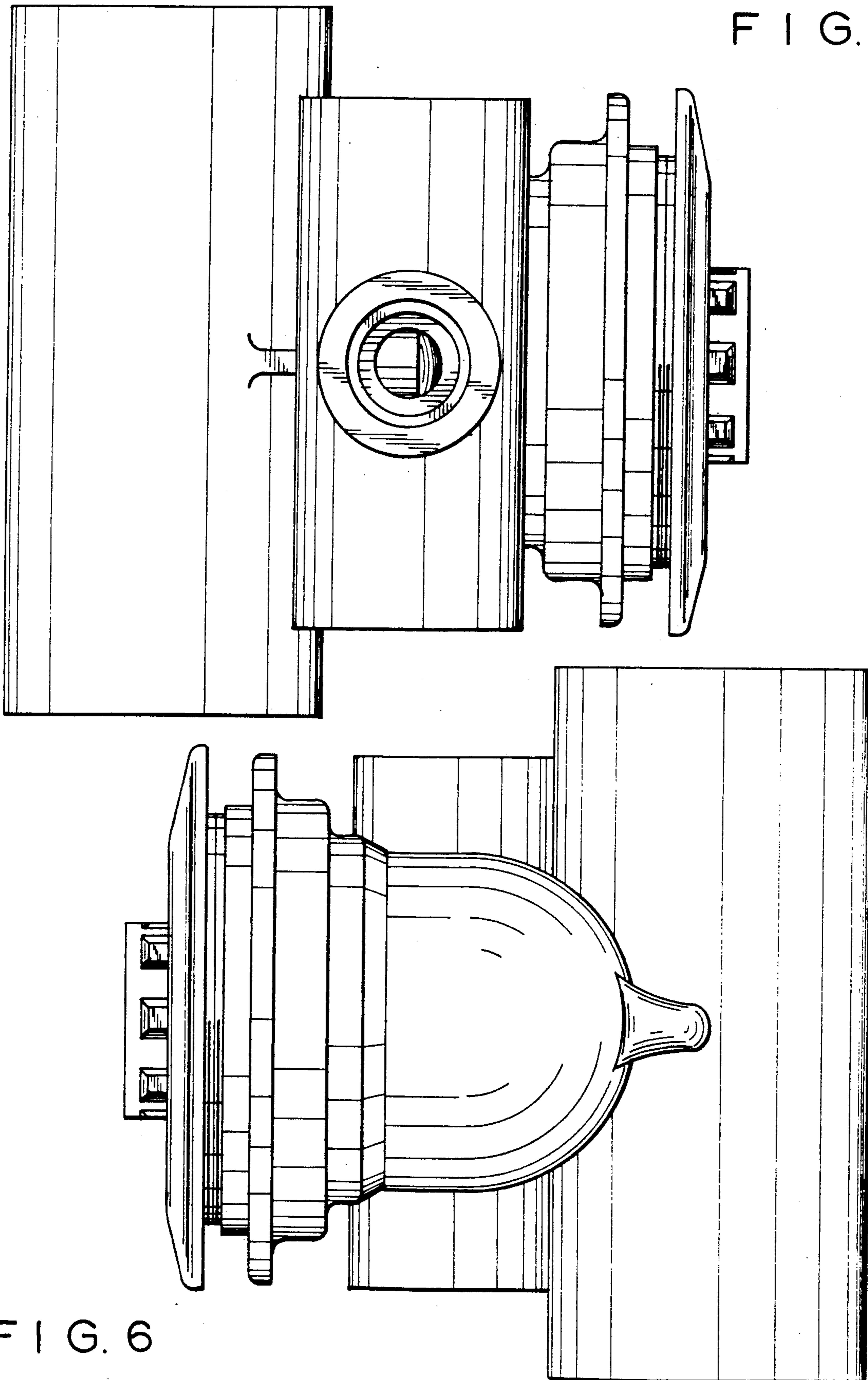


FIG. 5

FIG. 6

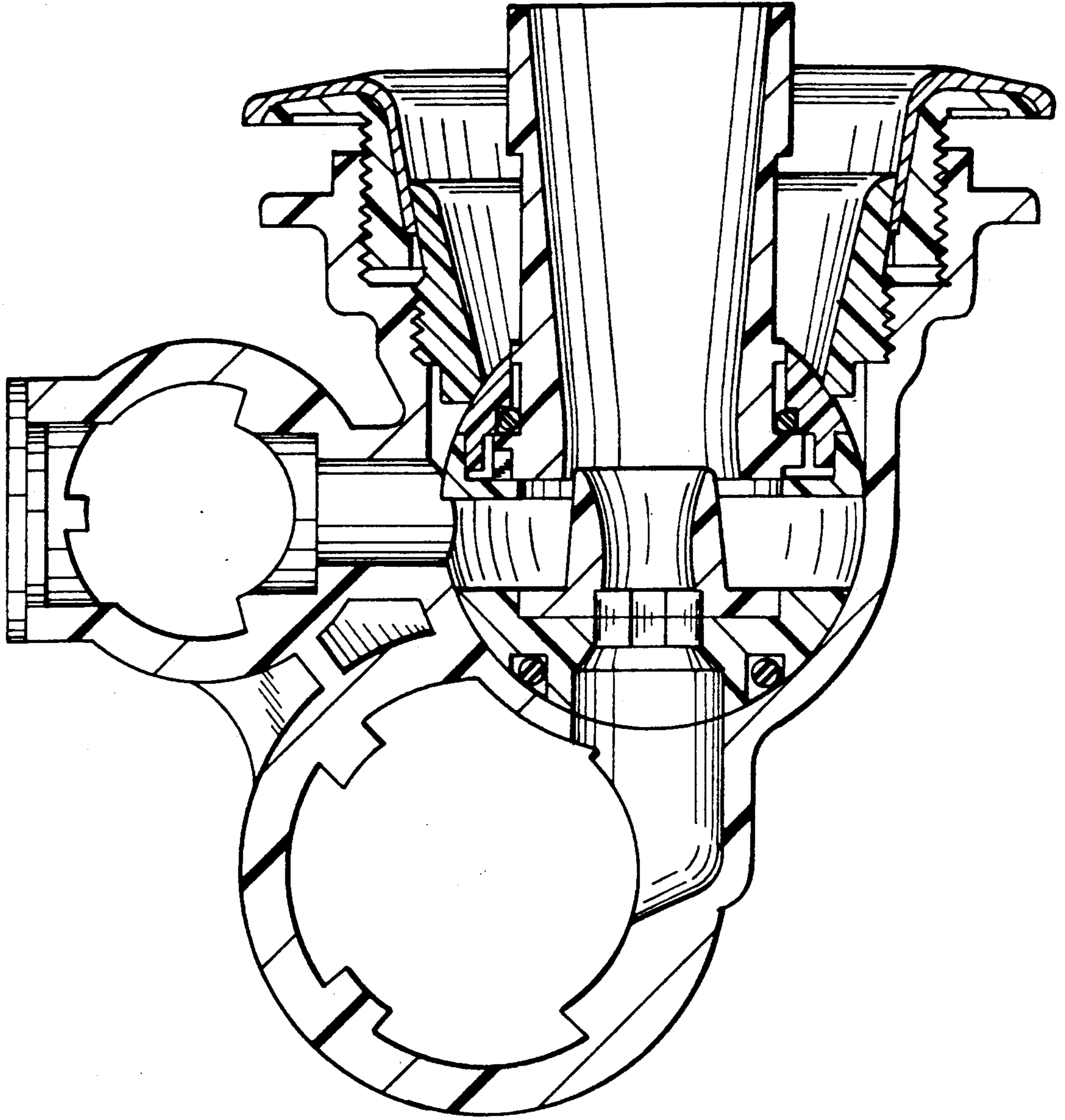


FIG. 7