

[54] OPTHALMOMETER OR SIMILAR ARTICLE

4,520,816 6/1985 Schachar et al. .... 351/200  
4,807,988 2/1989 Baumberg ..... 351/200

[75] Inventor: Hiroyuki Koizumi, Tokyo, Japan

[73] Assignee: Canon Kabushiki Kaisha, Tokyo, Japan

[\*\*] Term: 14 Years

[21] Appl. No.: 230,121

[22] Filed: Aug. 9, 1988

[30] Foreign Application Priority Data

Feb. 12, 1988 [JP] Japan ..... 63-5422

[52] U.S. Cl. .... D24/172

[58] Field of Search ..... D24/17, 1.1; D10/46;  
351/1, 6, 7, 23, 27, 28, 24, 39, 200

[56] References Cited

U.S. PATENT DOCUMENTS

D. 245,917 9/1977 Armbruster ..... D24/17  
D. 246,188 10/1977 Jordan ..... D24/17  
2,765,702 10/1956 Sachtleben ..... 351/200  
2,890,620 6/1959 Williams ..... 351/200

OTHER PUBLICATIONS

Ophthalmic Instruments, 7/1981, p. 26, Tonometer.

Primary Examiner—James M. Gandy

Assistant Examiner—Marcus Jackson

Attorney, Agent, or Firm—Fitzpatrick, Cella, Harper & Scinto

[57] CLAIM

The ornamental design for an ophthalmometer or similar article, as shown and described.

DESCRIPTION

FIG. 1 is a front elevational view of a ophthalmometer or similar article showing my new design; FIG. 2 is a rear elevational view thereof; FIG. 3 is a top plan view thereof; FIG. 4 is a bottom plan view thereof; FIG. 5 is a left side elevational view thereof; FIG. 6 is a right side elevational view thereof; and FIG. 7 is a perspective view thereof, with the pedestal shown in open condition.

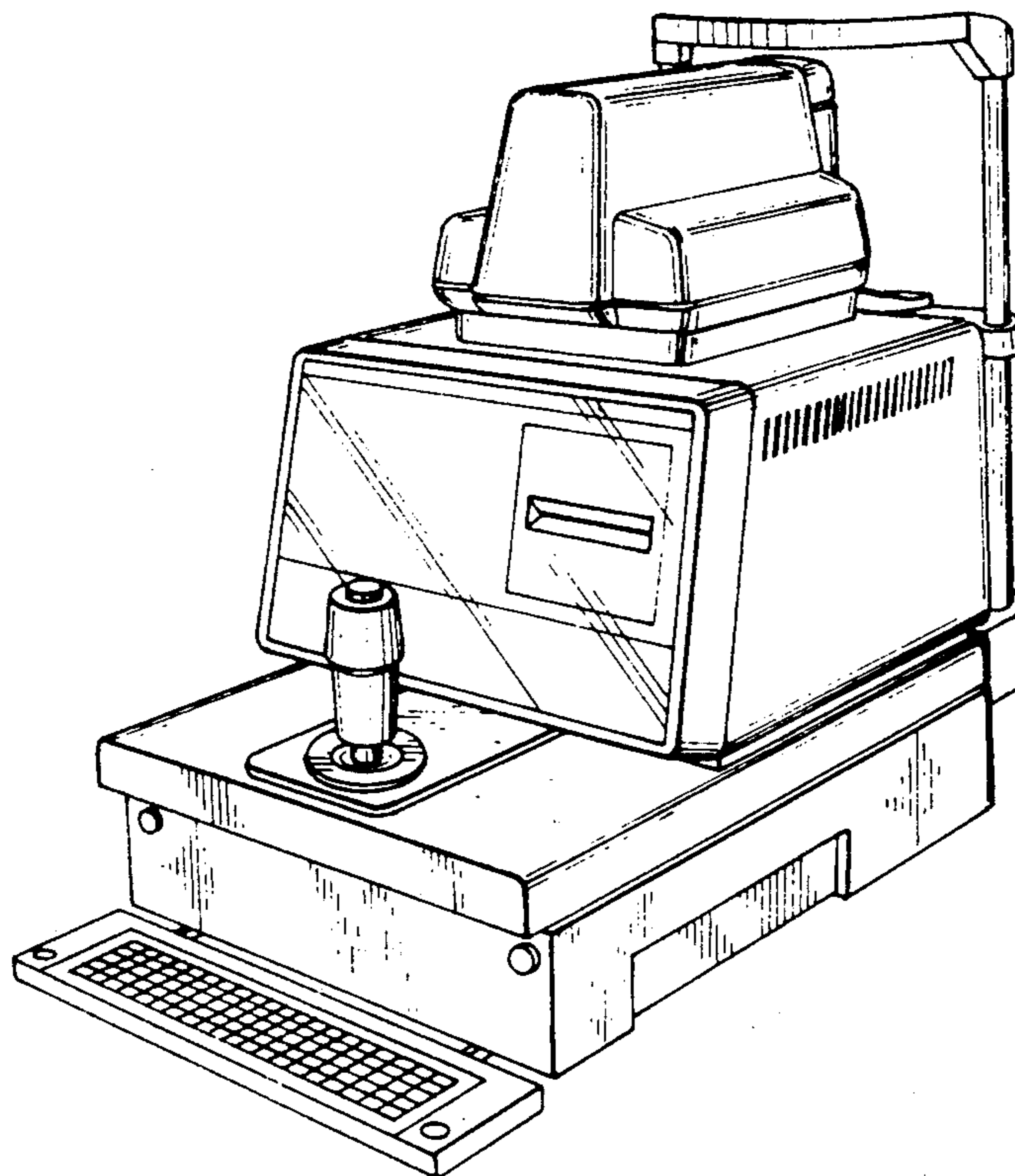


FIG. 1

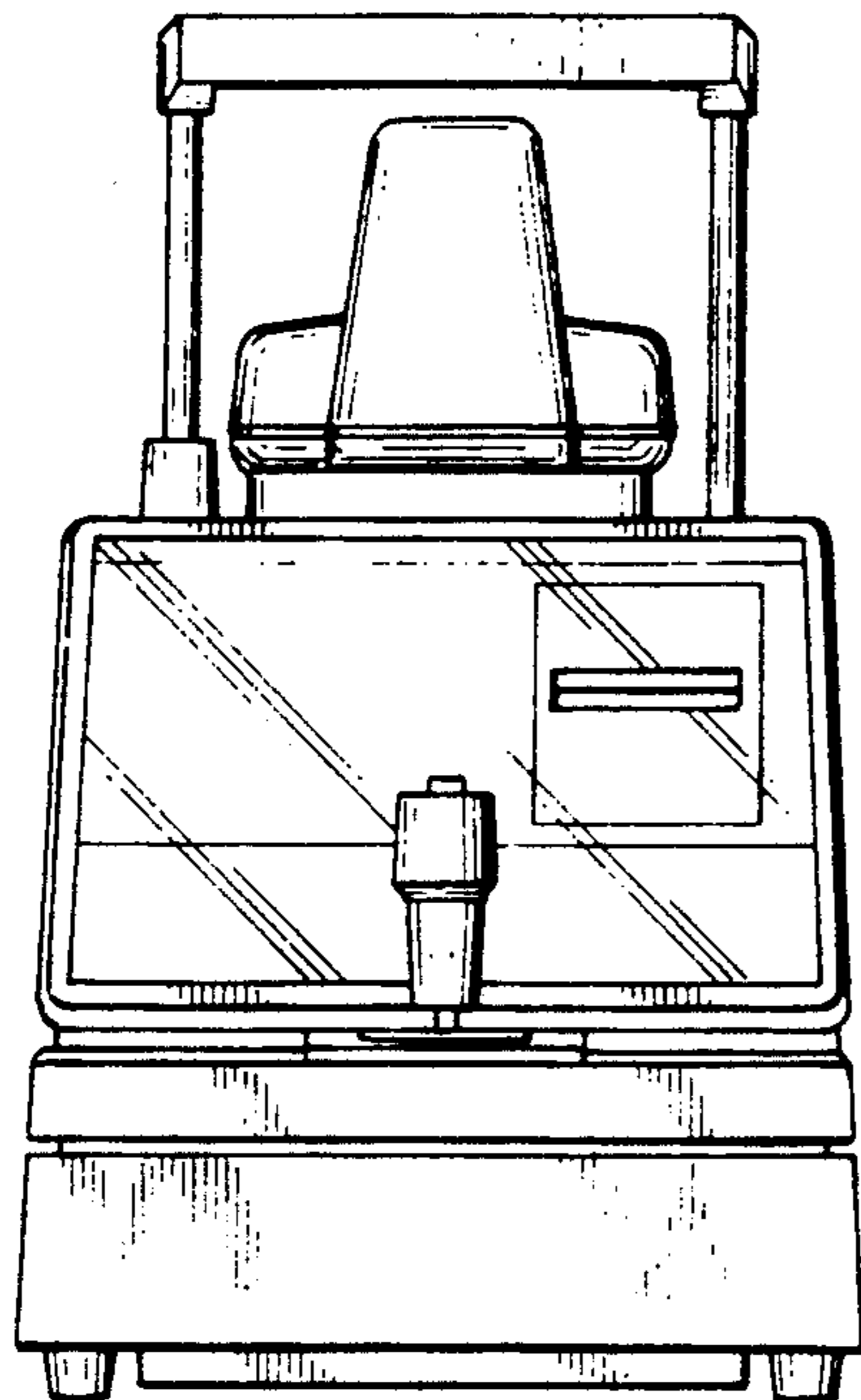


FIG. 2

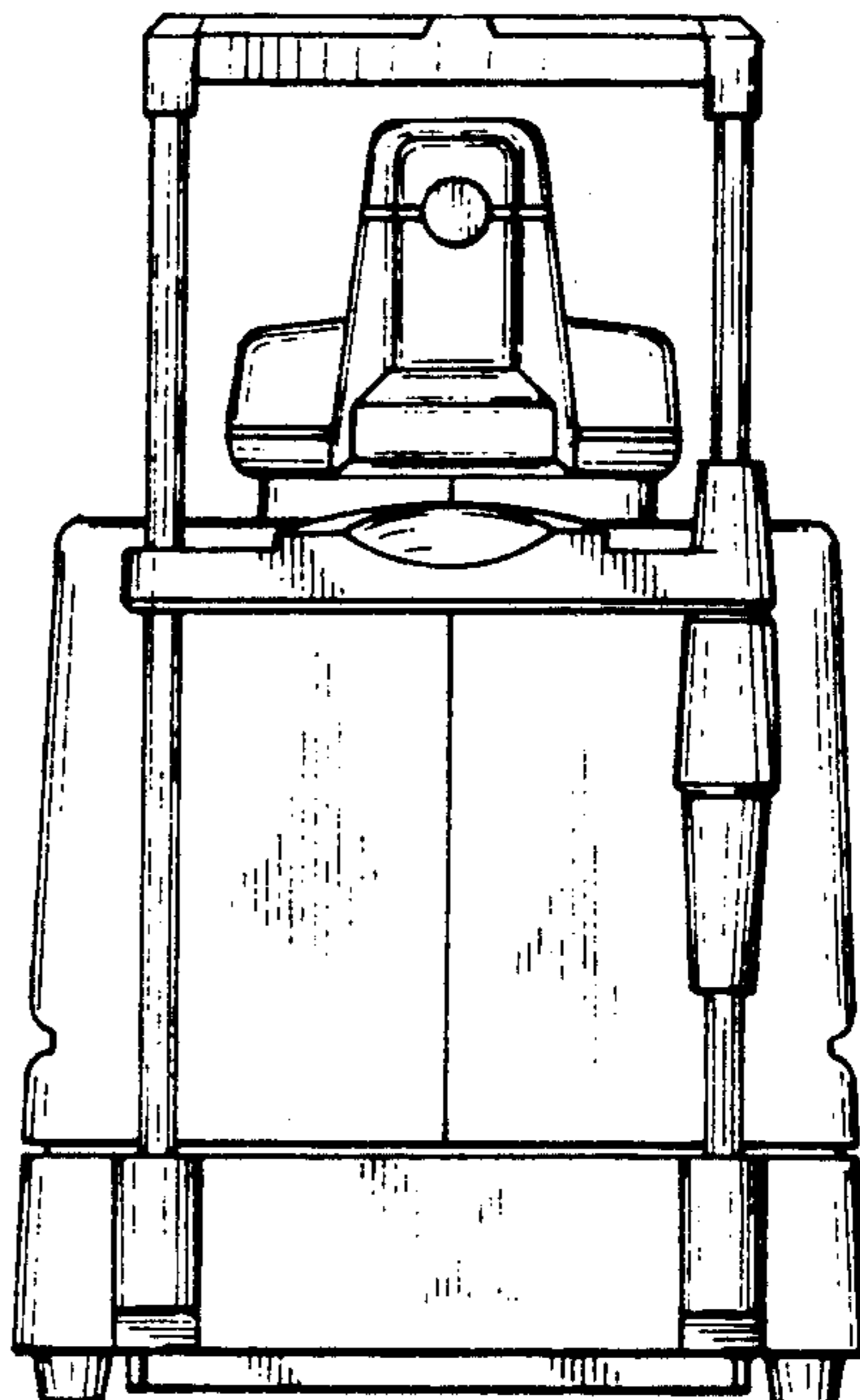


FIG. 3

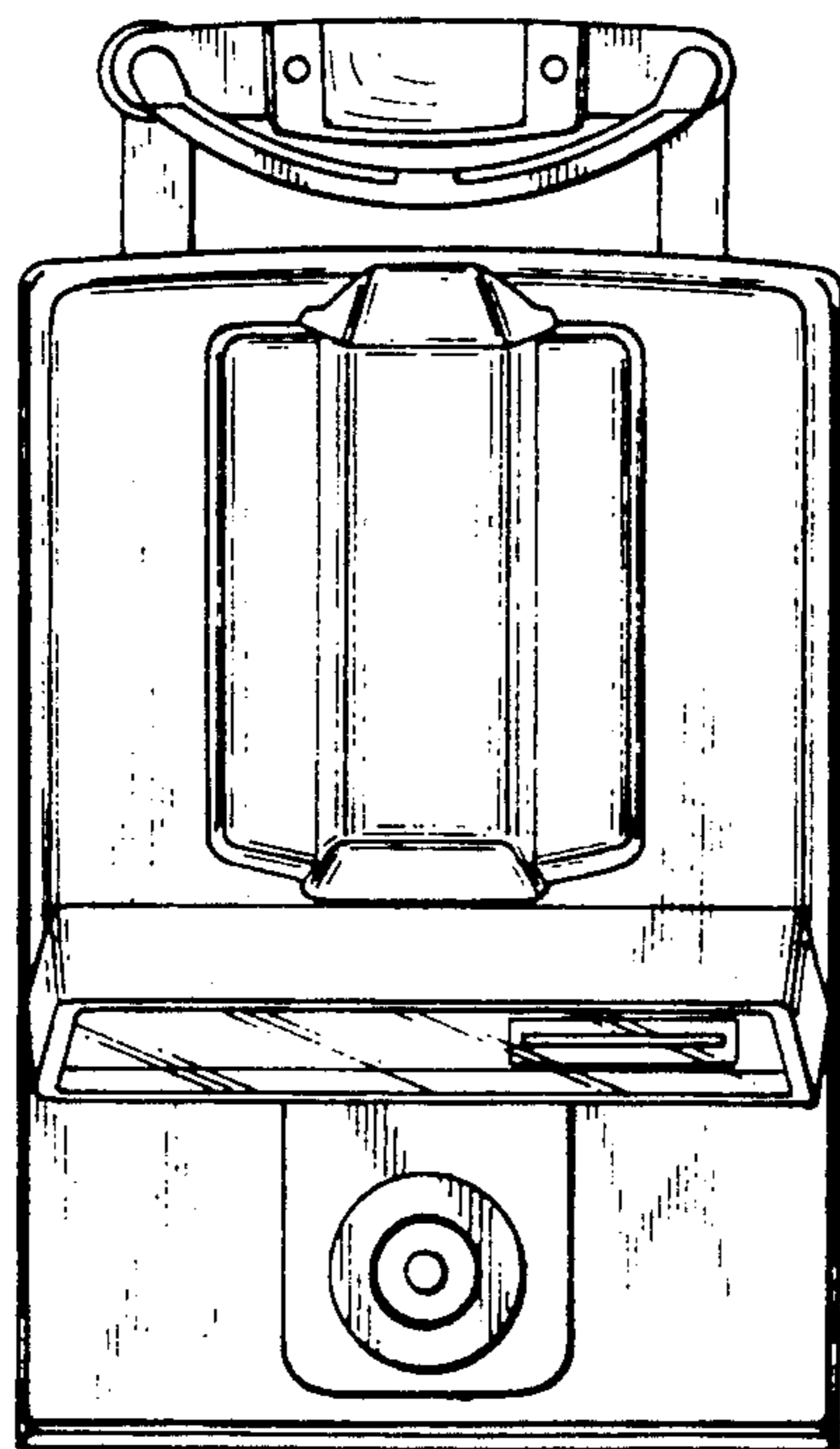


FIG. 4

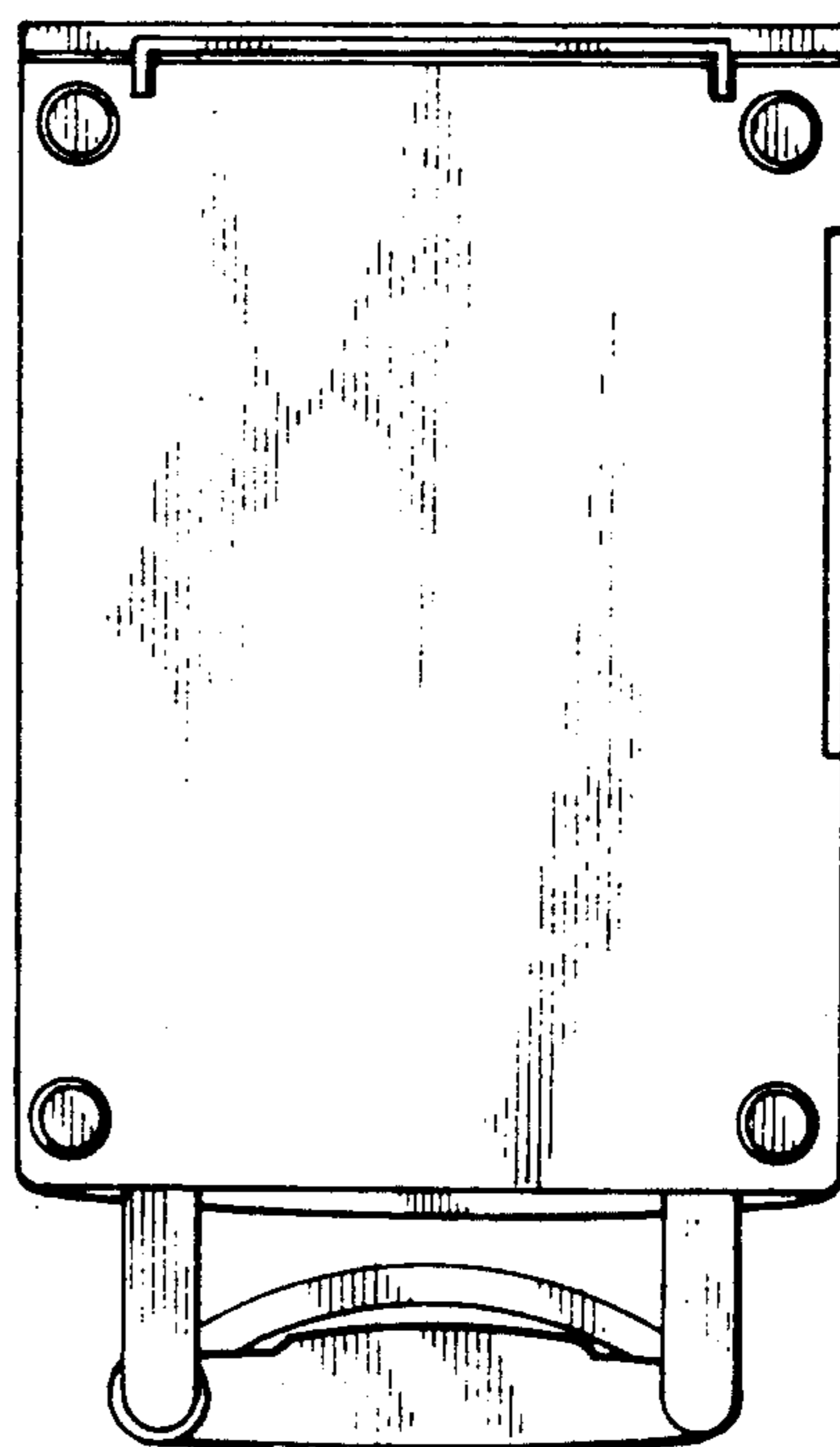


FIG. 5

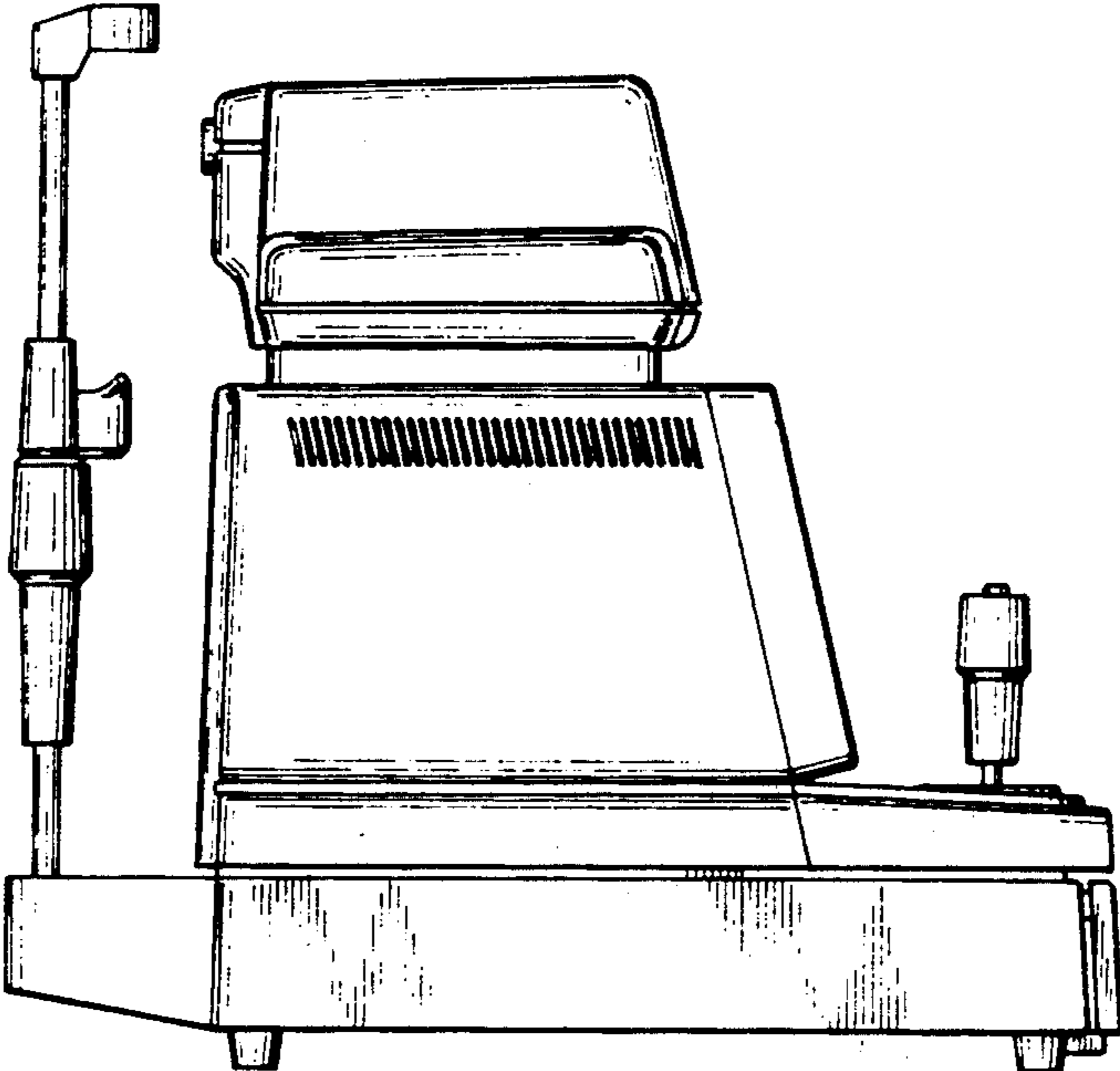
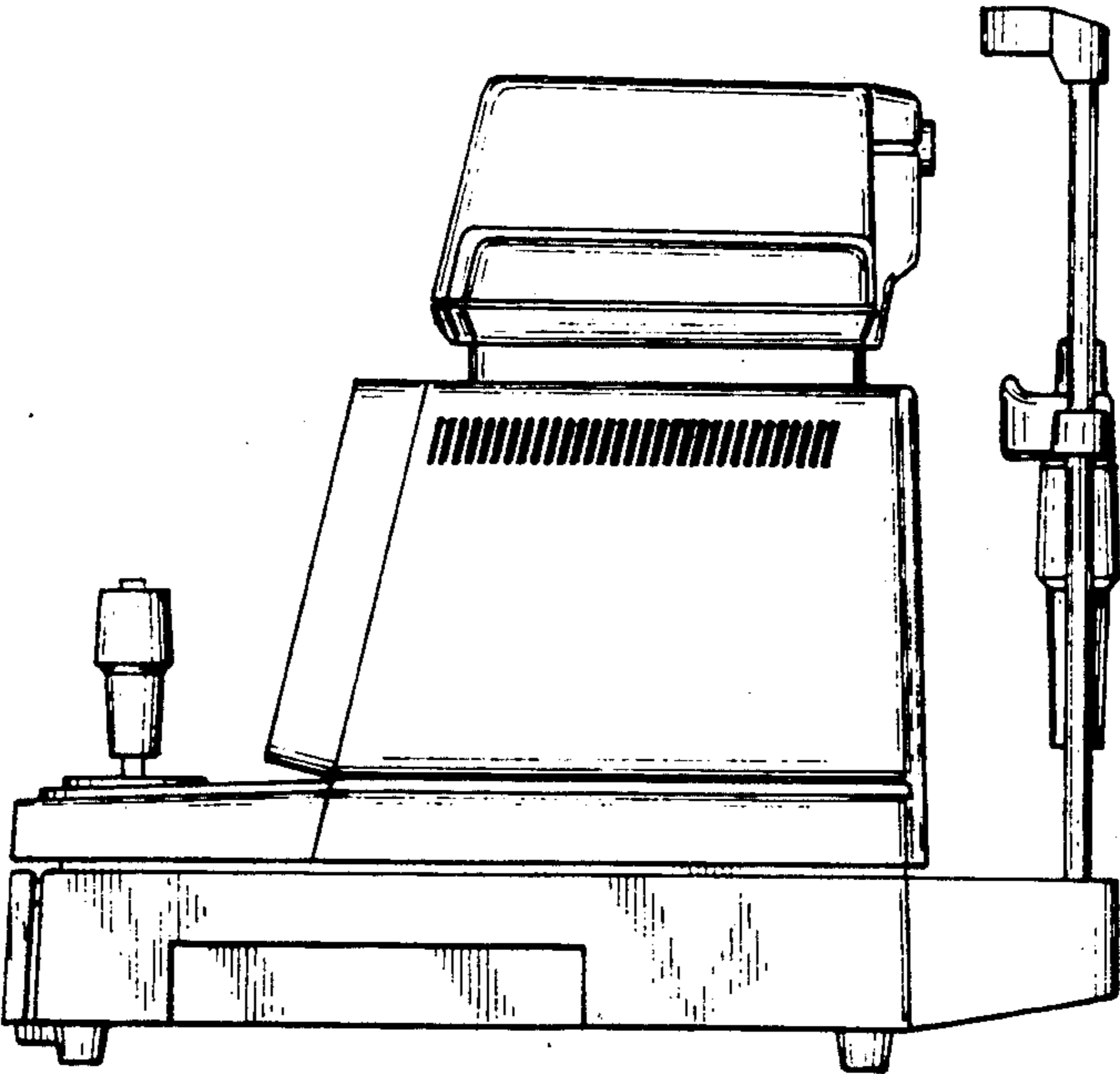


FIG. 6



*FIG. 7*

