

[54] HUMIDIFIER

[75] Inventor: Judy L. Youngeberg, Manheim, Pa.

[73] Assignee: Herrmidifier Company, Inc.,
Lancaster, Pa.

[**] Term: 14 Years

[21] Appl. No.: 543,077

[22] Filed: Jun. 25, 1990

[52] U.S. Cl. D23/357

[58] Field of Search D23/356, 357, 358, 359,
D23/360, 361, 362, 363; 392/402, 403, 405, 406,
394; 261/DIG. 15; 55/527; 126/113

[56] References Cited

U.S. PATENT DOCUMENTS

Re. 19,546	4/1935	Toepfer	126/113
3,450,124	6/1969	Mauler, Jr.	126/113
3,724,824	4/1973	Mitich	126/113
4,056,582	11/1977	Chow	126/113

OTHER PUBLICATIONS

Atwater-General Corp. Adv. Flyer, front side of flyer, Humidifier 201.

American Metal Products Co. Cat., ©1986, p. 11, Autoflo Model 250 Home Comfort Humidifier.

Primary Examiner—James M. Gandy

Assistant Examiner—Lisa Lichtenstein

Attorney, Agent, or Firm—Brady, O'Boyle & Gates

[57] CLAIM

The ornamental design for a humidifier, as shown and described.

DESCRIPTION

FIG. 1 is a top, front and left side perspective view of a humidifier showing my new design;

FIG. 2 is a front elevational view thereof;

FIG. 3 is a rear elevational view thereof;

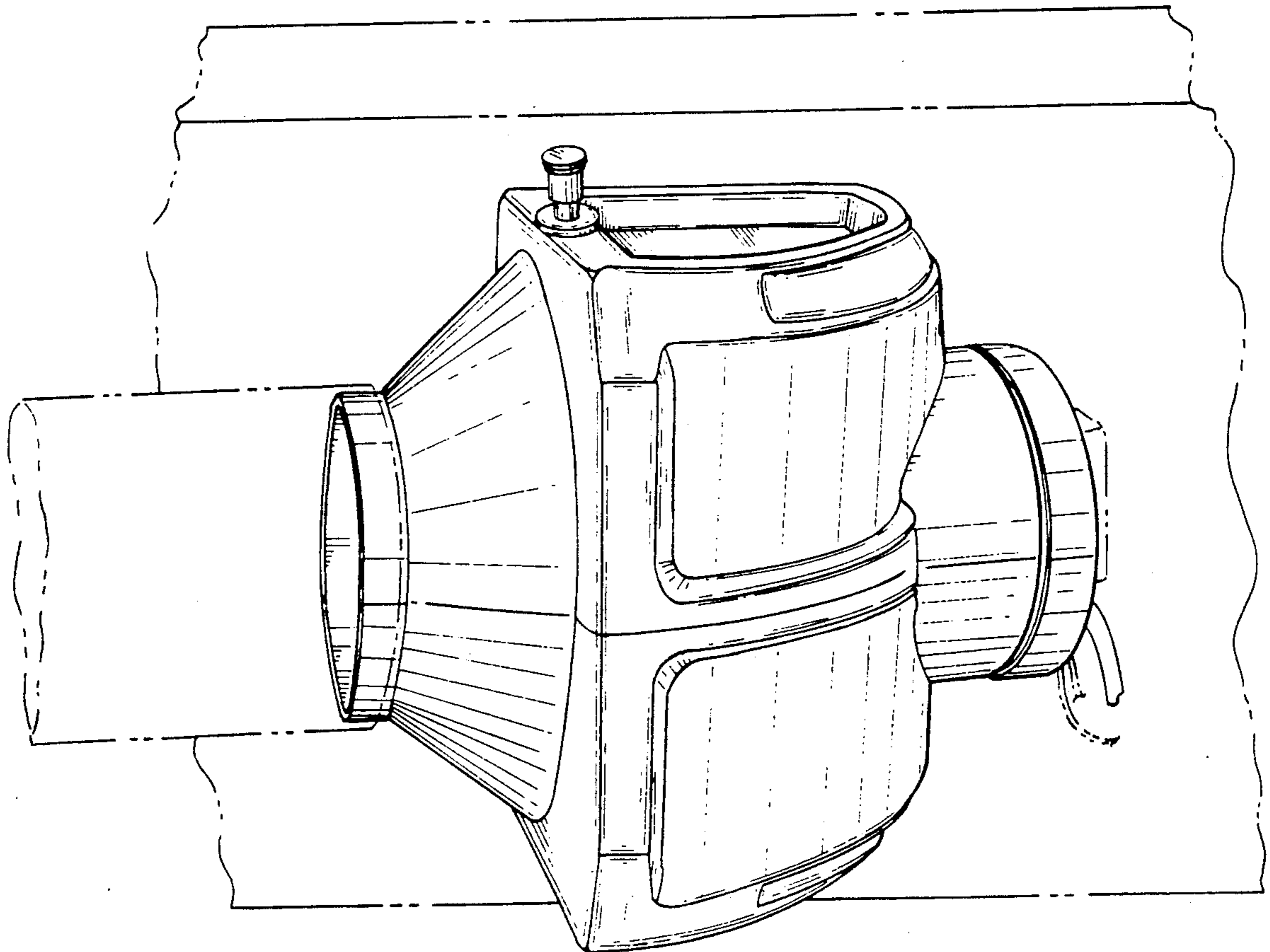
FIG. 4 is a right side elevational view thereof;

FIG. 5 is a left side elevational view thereof;

FIG. 6 is a top plan view thereof; and

FIG. 7 is a bottom plan view thereof.

The broken line showing of environmental structure in FIGS. 1, 2, 3, 4, 6, and 7 is for illustrative purposes only and forms no part of the claimed design.



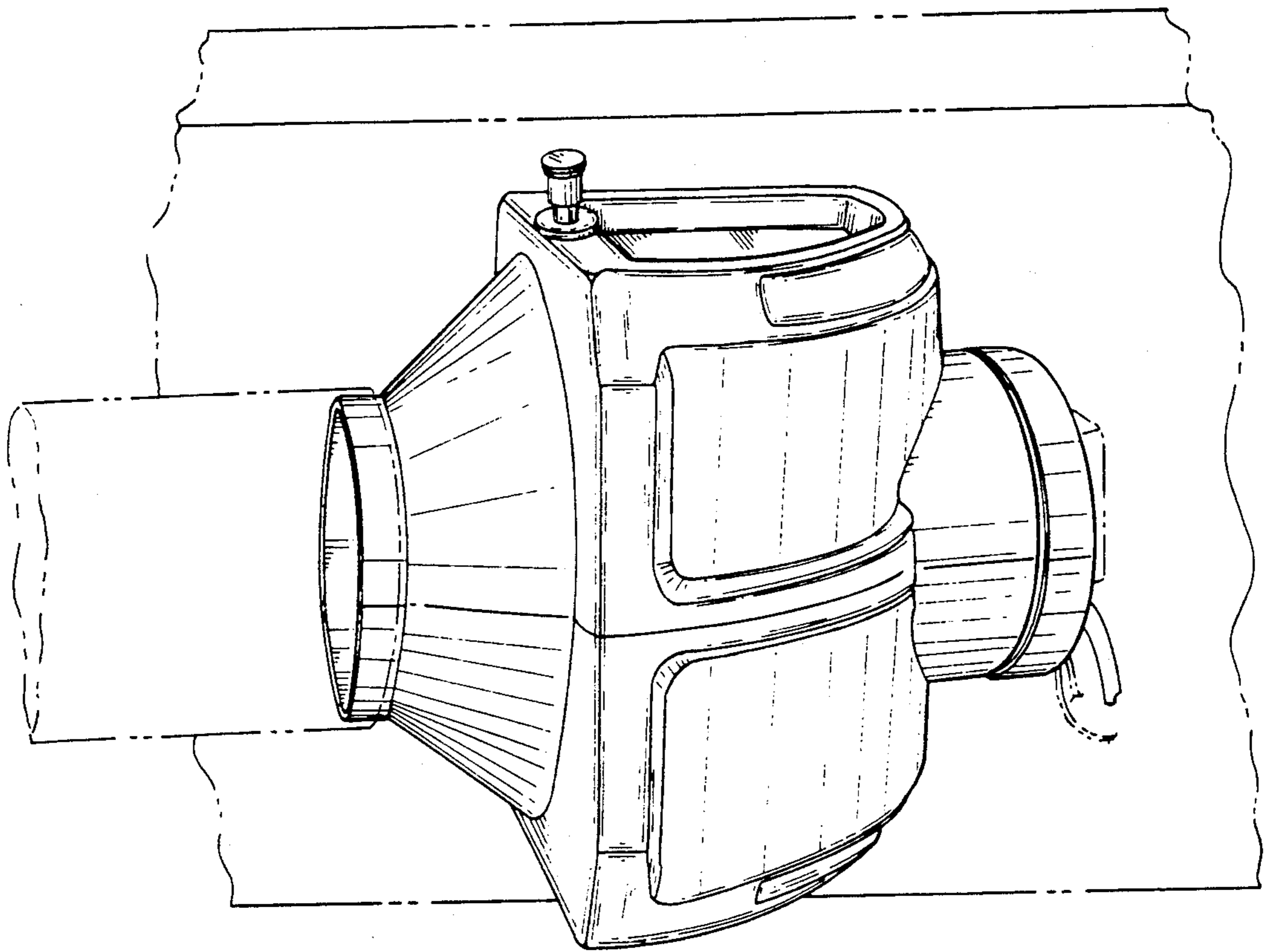


FIG. 1

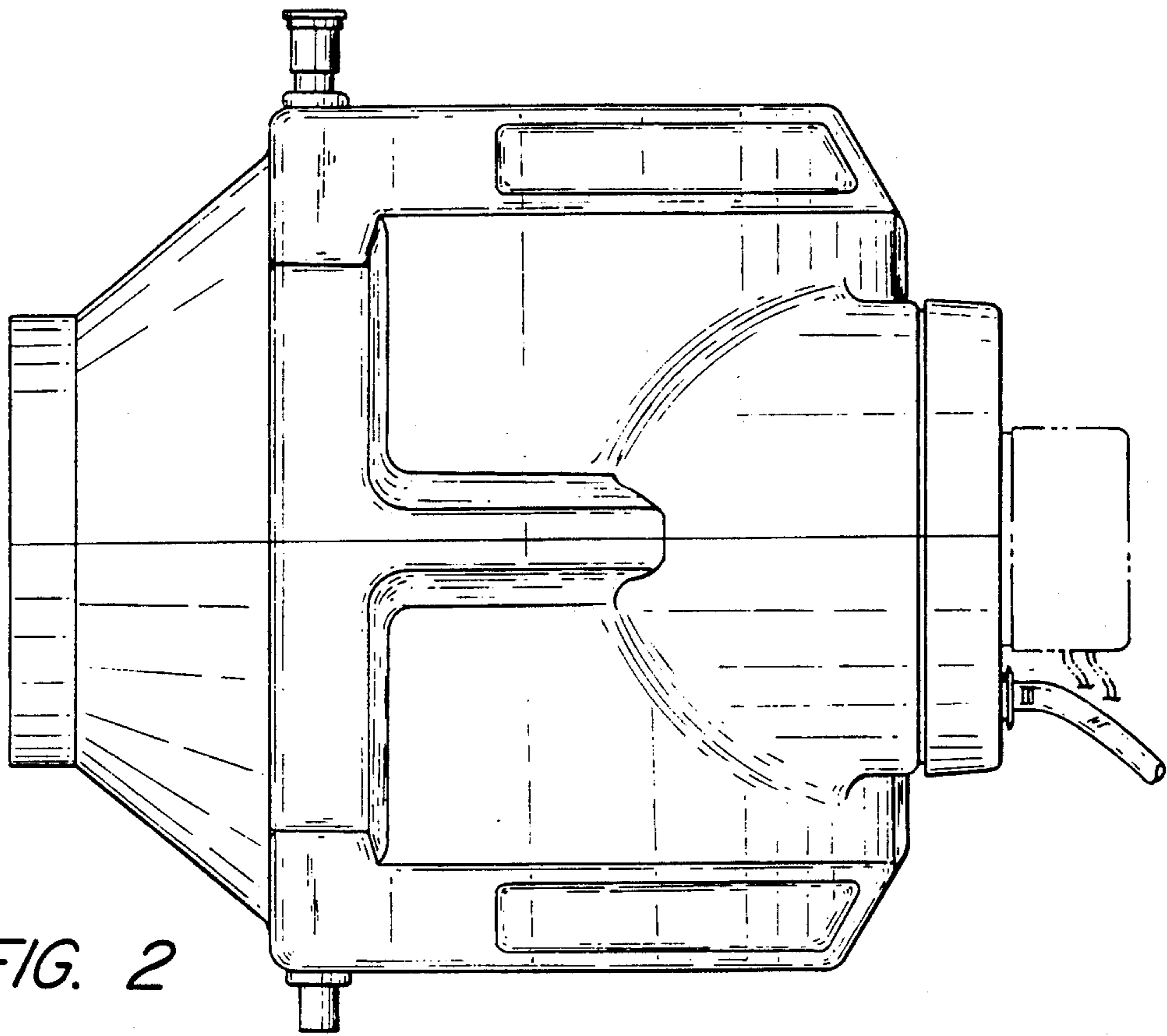


FIG. 2

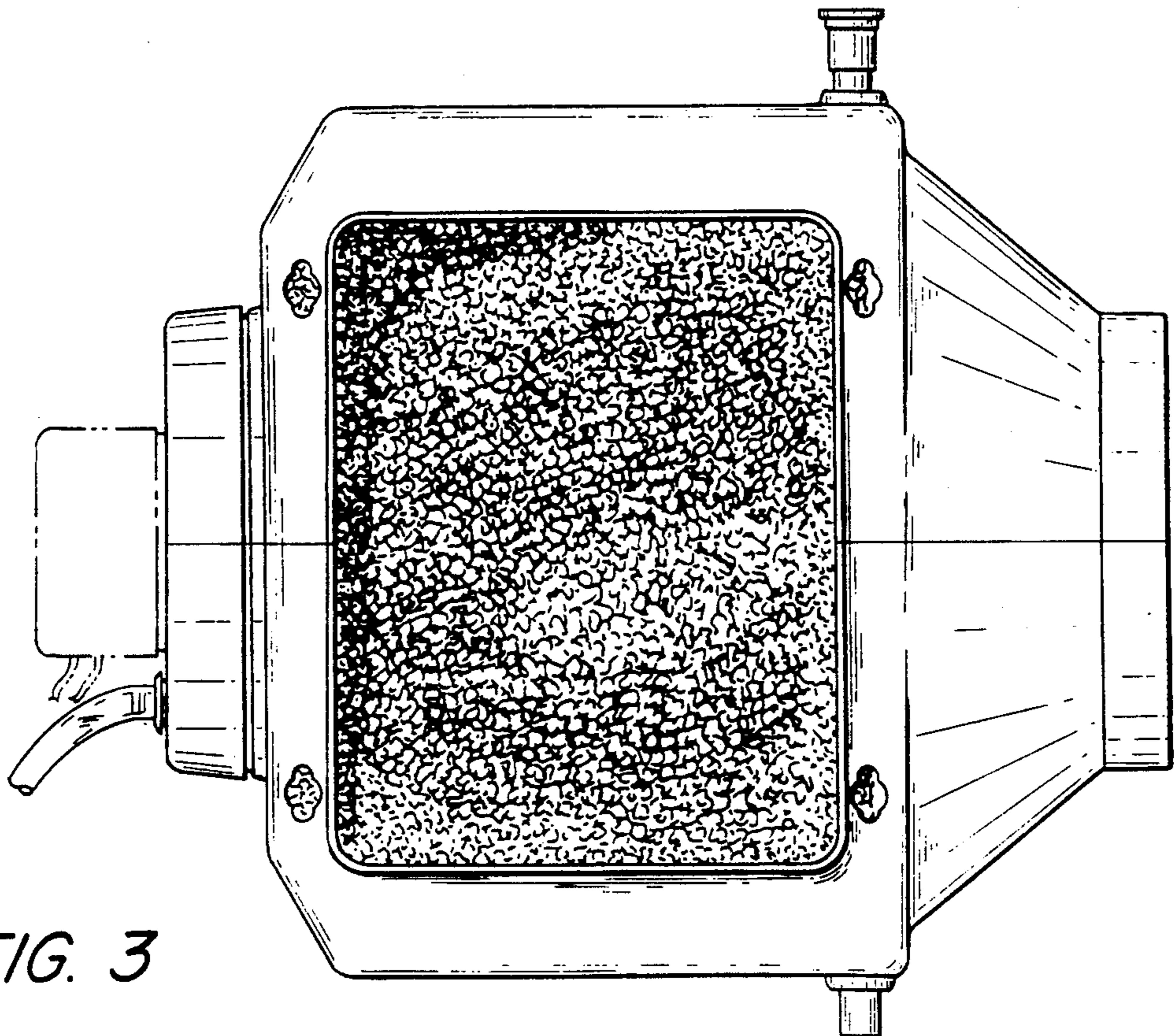


FIG. 3

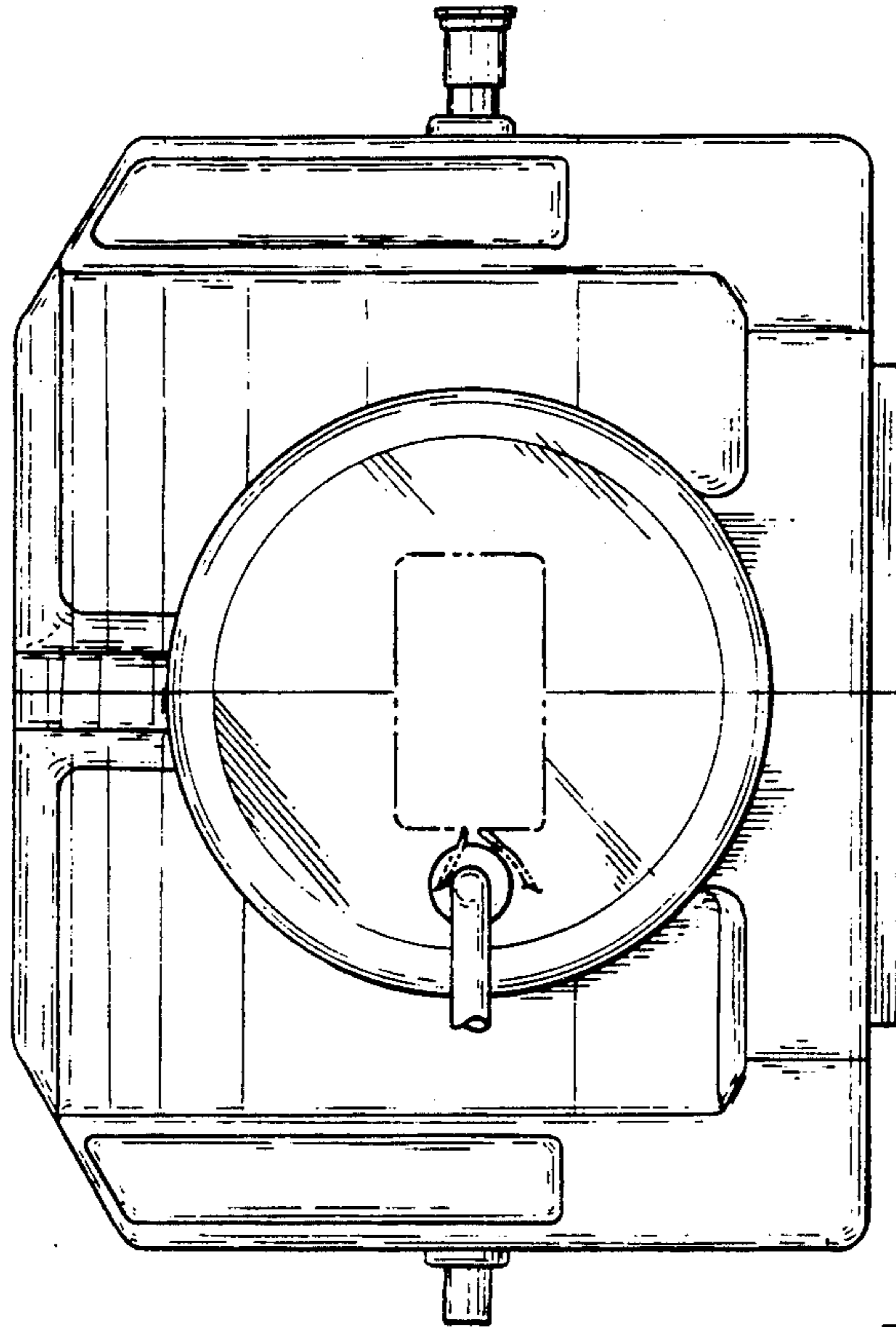


FIG. 4

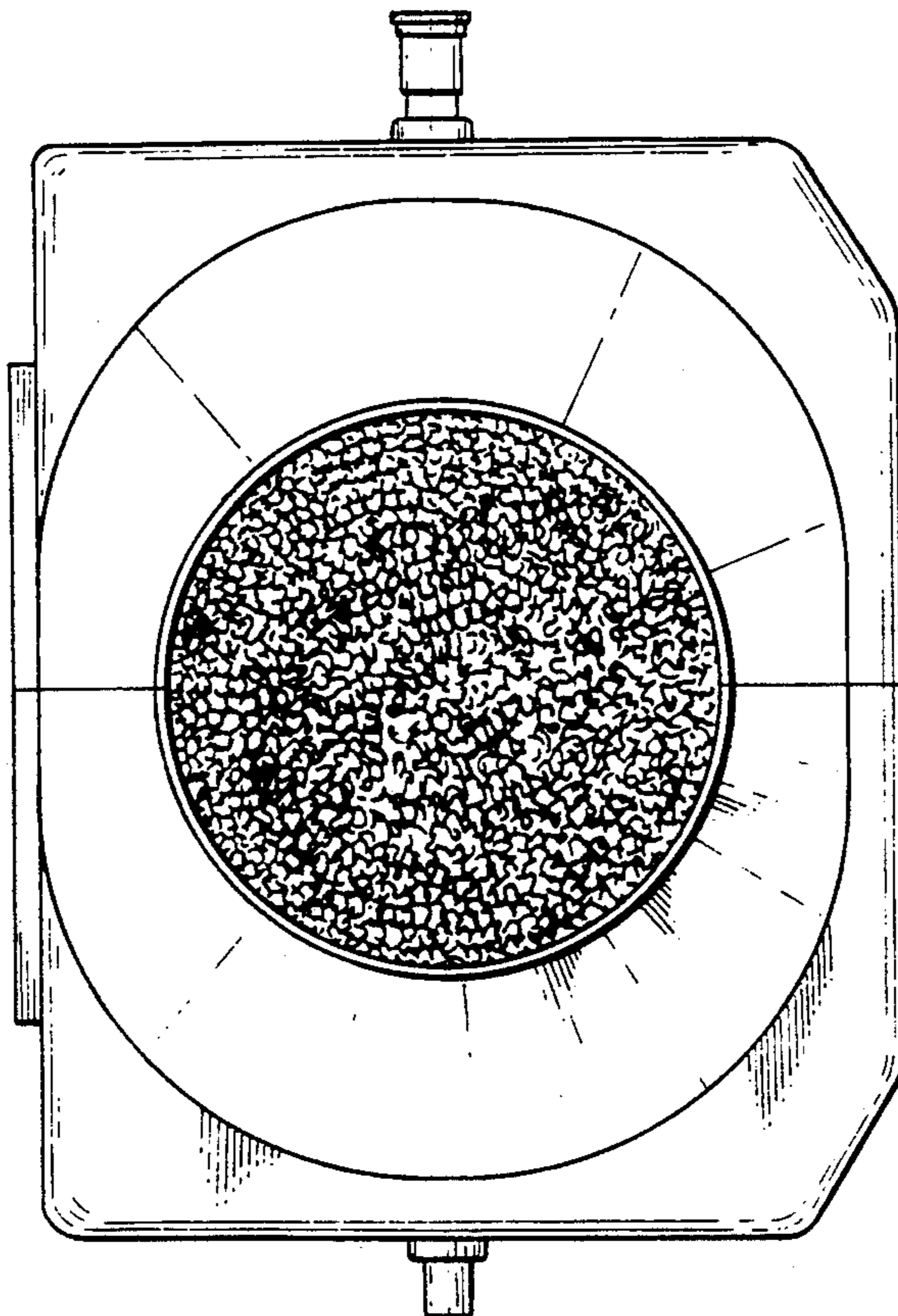


FIG. 5

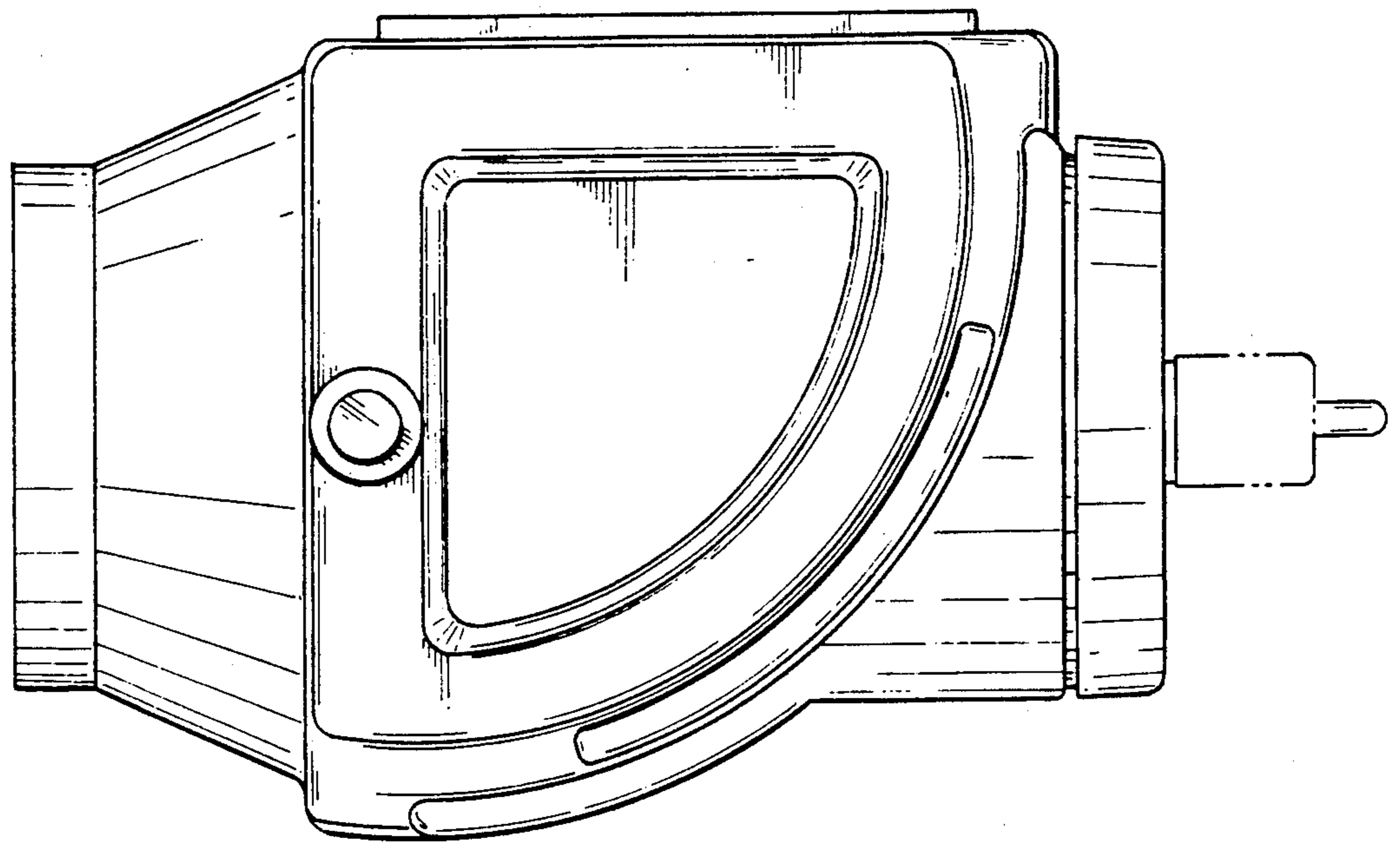


FIG. 6

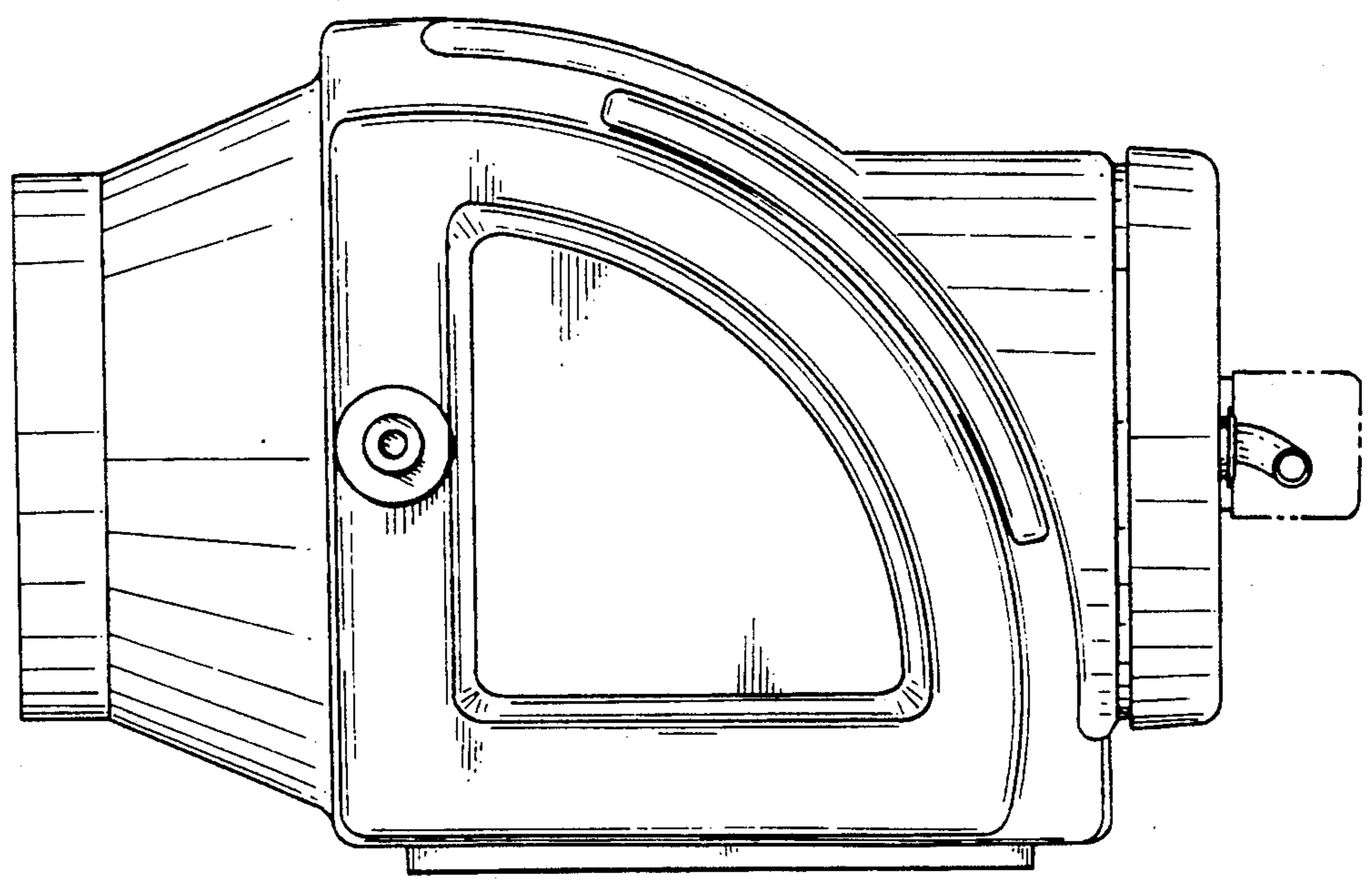


FIG. 7