

[54] HUMIDIFIER

[75] Inventor: Robynn M. Cook, Long Beach, Calif.

[73] Assignee: Tatung Company of America, Inc.,
Long Beach, Calif.

[**] Term: 14 Years

[21] Appl. No.: 562,954

[22] Filed: Aug. 6, 1990

[52] U.S. Cl. D23/356

[58] Field of Search D23/356, 357, 358, 359,
D23/360, 361, 362, 363; 392/394, 403, 405, 406

[56] References Cited

U.S. PATENT DOCUMENTS

D. 255,712	7/1980	Chihara	D23/356
2,837,625	6/1958	Conlin et al.	392/394
3,780,260	12/1973	Elsner	392/403
4,529,867	7/1985	Velnosky et al.	392/405

FOREIGN PATENT DOCUMENTS

129541 7/1985 Japan 261/DIG. 48

OTHER PUBLICATIONS

Housewares, Apr. 21-27, 1988, p. 17, Soundesign

Model 1866, Ultrasonic Humidifier, top right side of page.

Hammacher Schlemmer Co. Spring Supplement 1986, p. 31, Best Ultrasonic Humidifier, lower right side of page.

Sharper Image Catalogue (Feb. 1986) p. 57, Bonaire Ultrasonic Humidifier, top right side of page.

Primary Examiner—James M. Gandy

Assistant Examiner—Lisa Lichtenstein

Attorney, Agent, or Firm—Jack C. Munro

[57] CLAIM

The ornamental design for a humidifier, as shown and described.

DESCRIPTION

FIG. 1 is a front, right side, and top perspective view of a humidifier showing my new design;

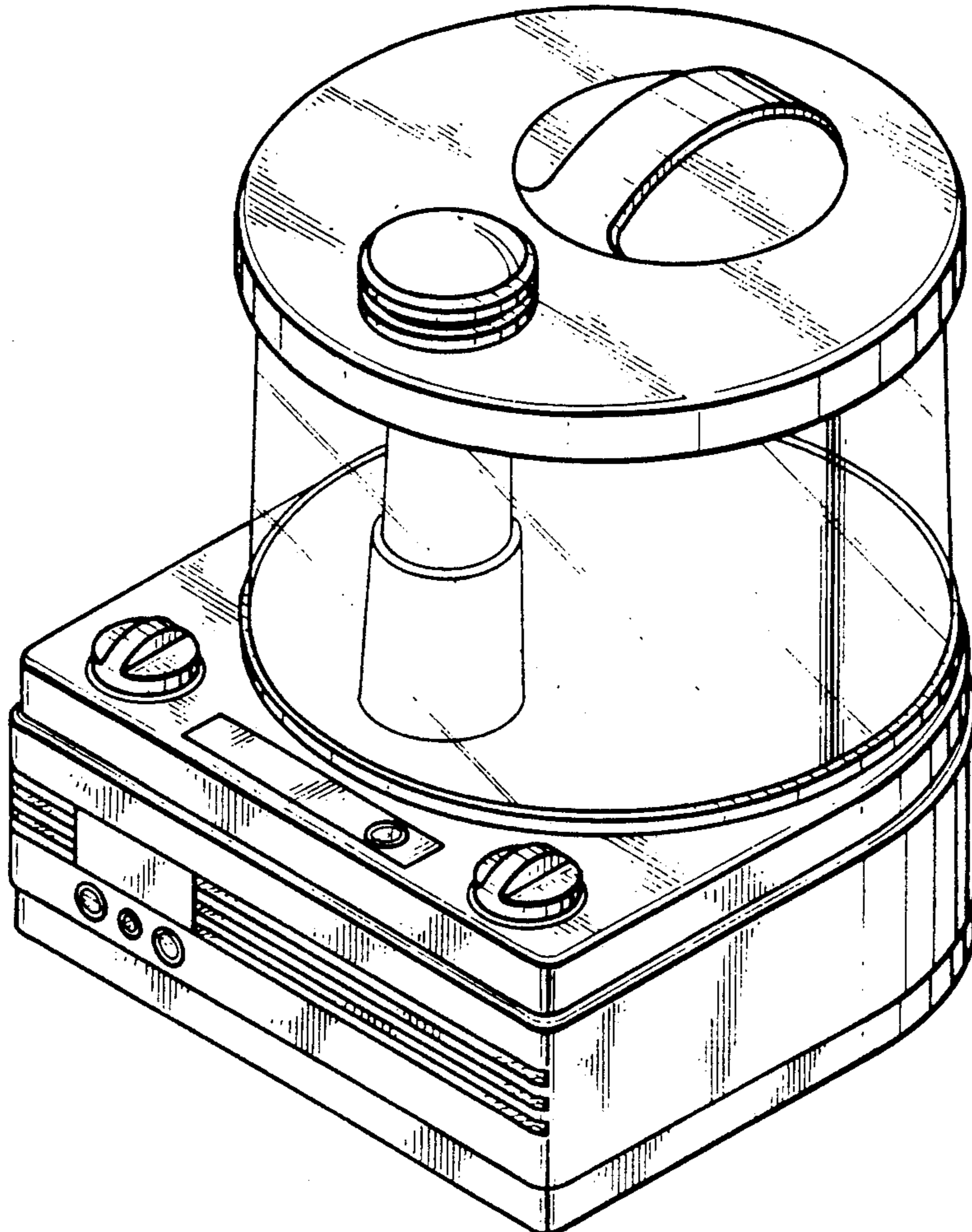
FIG. 2 is a front elevational view thereof;

FIG. 3 is a right side elevational view thereof, the left side being a mirror image of that shown;

FIG. 4 is a rear elevational view thereof;

FIG. 5 is a top plan view thereof; and

FIG. 6 is a bottom plan view thereof.



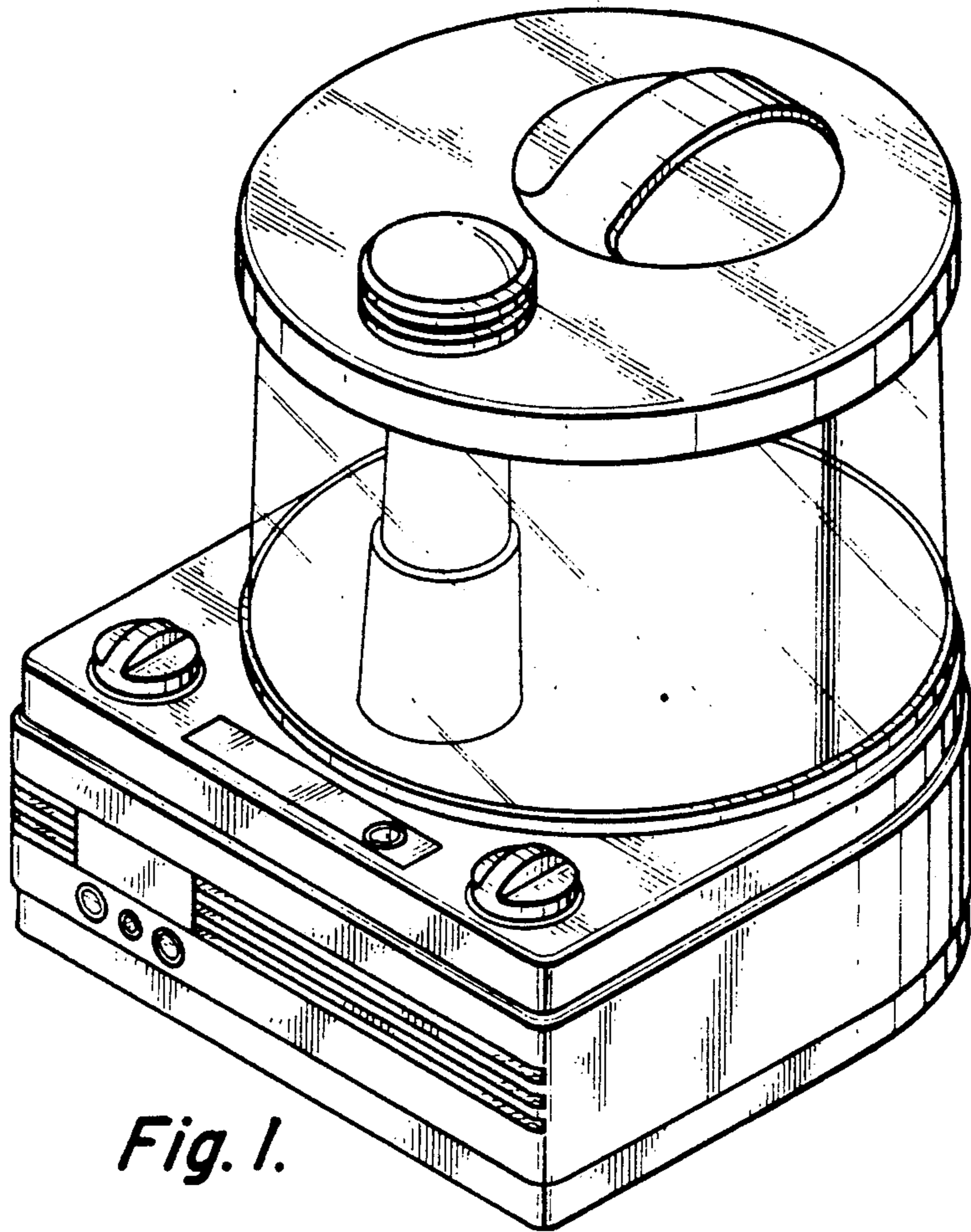


Fig. 1.

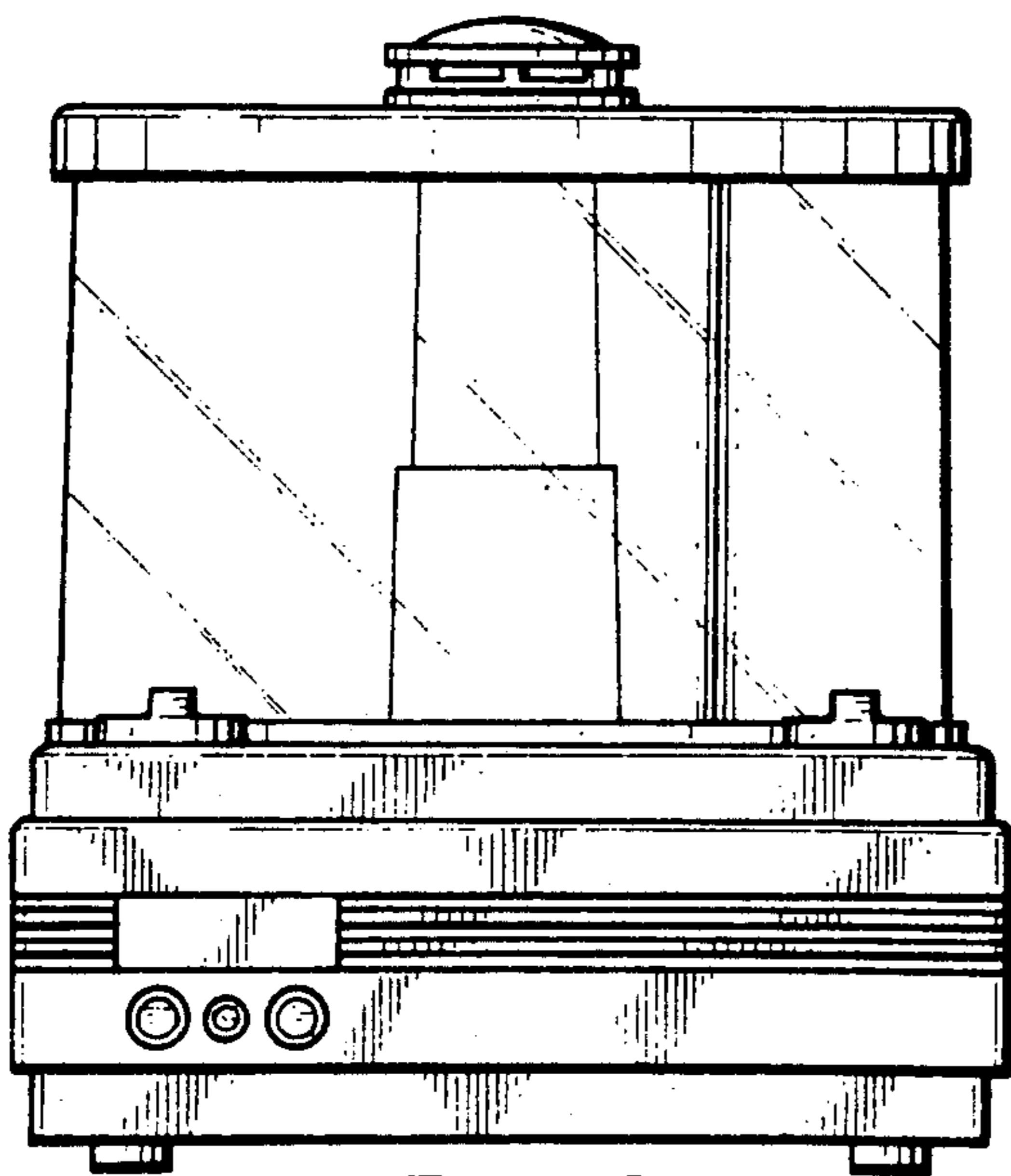


Fig. 2.

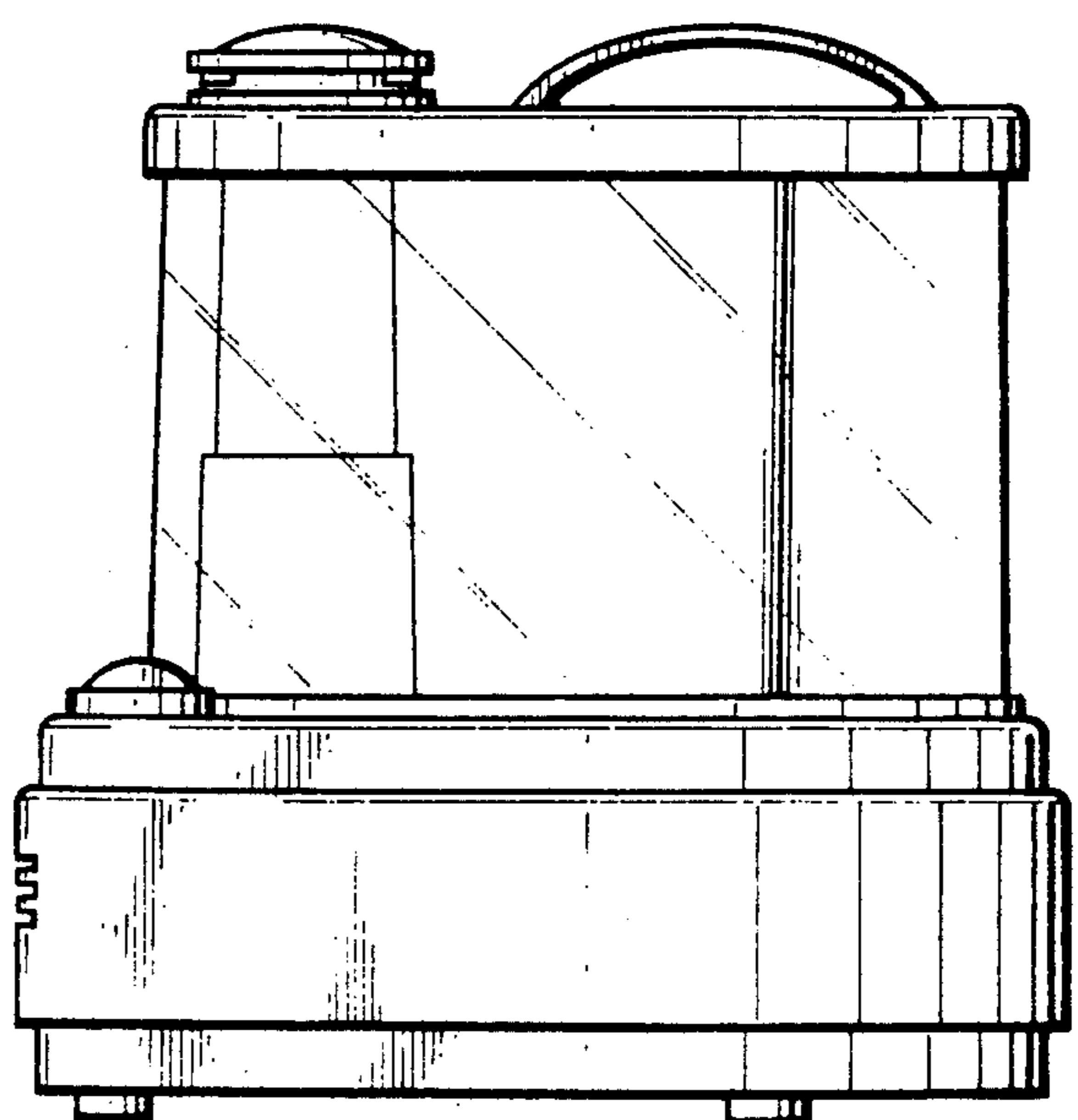


Fig. 3.

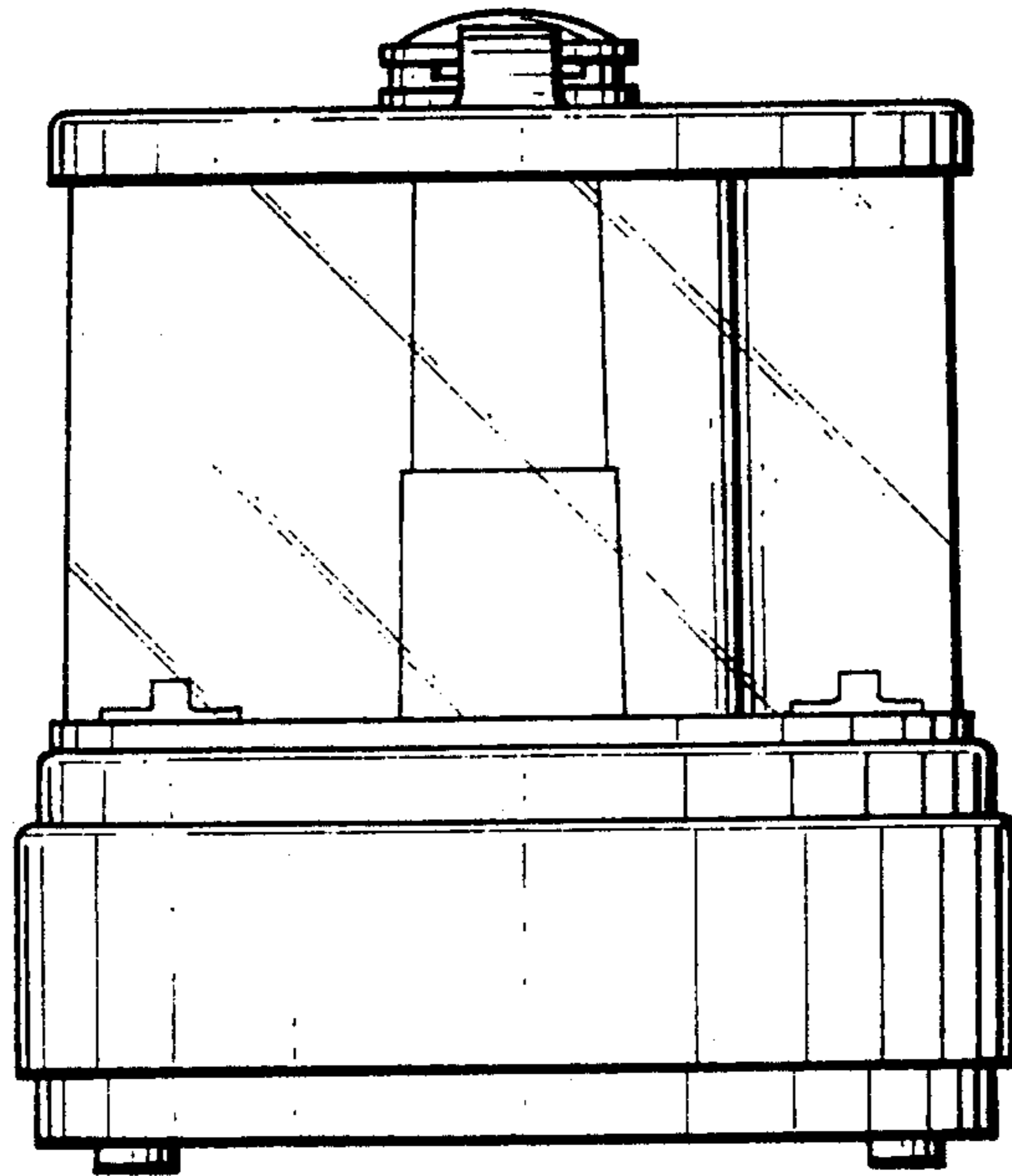


Fig. 4.

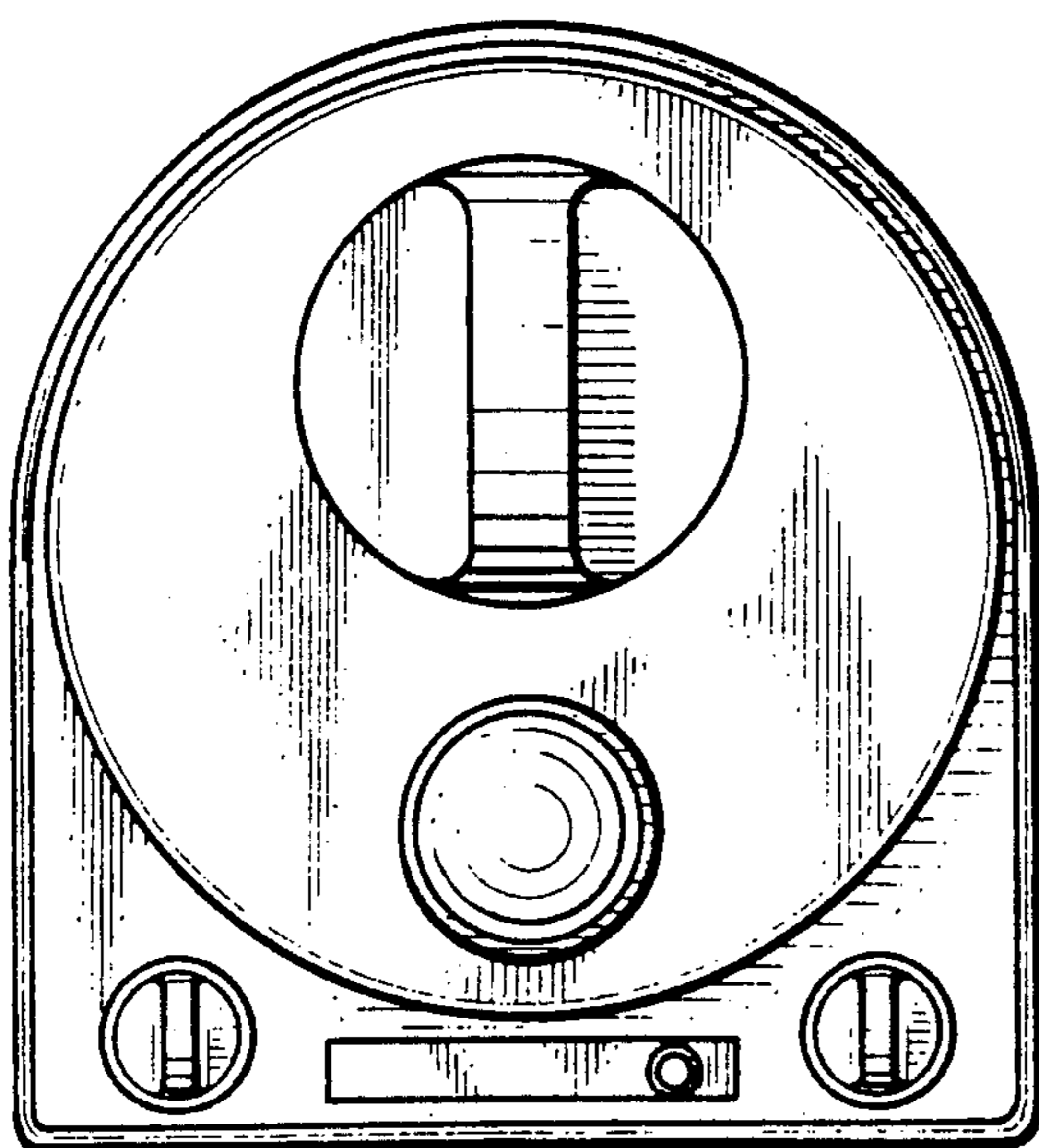


Fig. 5.

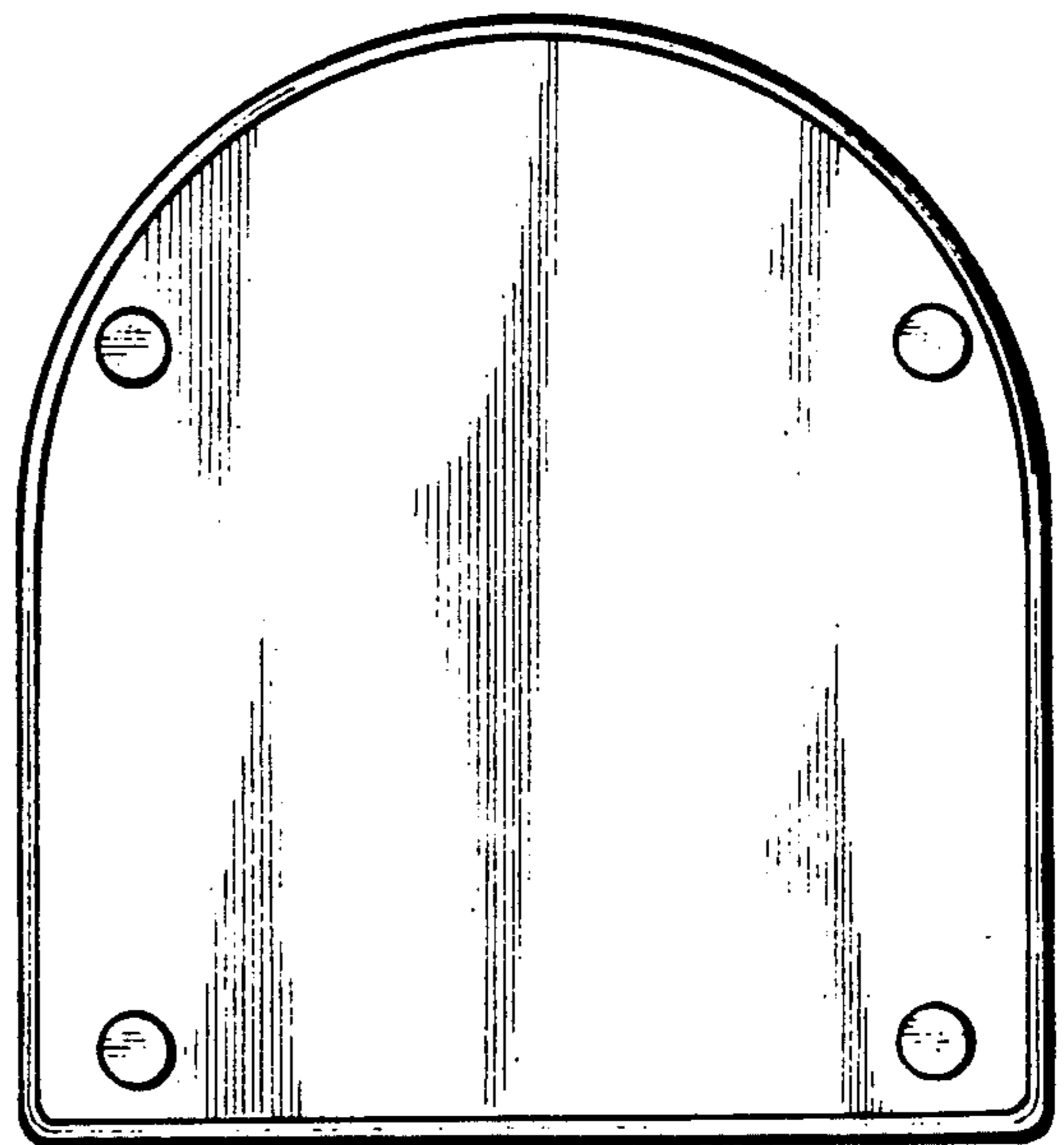


Fig. 6.