

[54] **LAVATORY**

[75] **Inventor: Todd D. Dannenberg, Sheboygan, Wis.**

[73] **Assignee: Kohler Co., Kohler, Wis.**

[**] **Term: 14 Years**

[21] **Appl. No.: 285,825**

[22] **Filed: Dec. 16, 1988**

[52] **U.S. Cl. D23/284**

[58] **Field of Search D23/270-274,
D23/284-294, 308; 4/619, 625, 635-650**

[56] **References Cited**

U.S. PATENT DOCUMENTS

| | | | |
|------------|---------|--------------------|---------|
| D. 241,846 | 10/1976 | Ribits et al. | D23/285 |
| D. 242,859 | 12/1976 | Gruber | D23/285 |
| D. 243,325 | 2/1977 | Krause et al. | D23/285 |
| D. 292,609 | 11/1987 | Kolada | D23/294 |

OTHER PUBLICATIONS

Renovator's supply catalog, "Faucets & Fixtures", rear cover, item #35208.

Kohler Co. K-400 Catalog, admitted prior art, pp. 8-14, 8-15, 8-16 and 8-17, undated.

Brochure entitled "Vanity Basins Jacob Delafon", 1985.

Brochure entitled "Ackralac Lustre-Lav by Benjamin Mfg. Co.", Form No. 80885, of Benjamin Mfg. Co., Inc., 15324 Illinois Ave., Paramount, CA 90723, undated, admitted prior art.

Cover and back pages; pp. 5, 6, 7, 36, 37, 38 and 39 of "CS-9 Elkay Bright ideas to build with. Stainless Steel Sinks and Accessories" catalog, dated 1985.

Primary Examiner—James R. Largen
Attorney, Agent, or Firm—Quarles & Brady

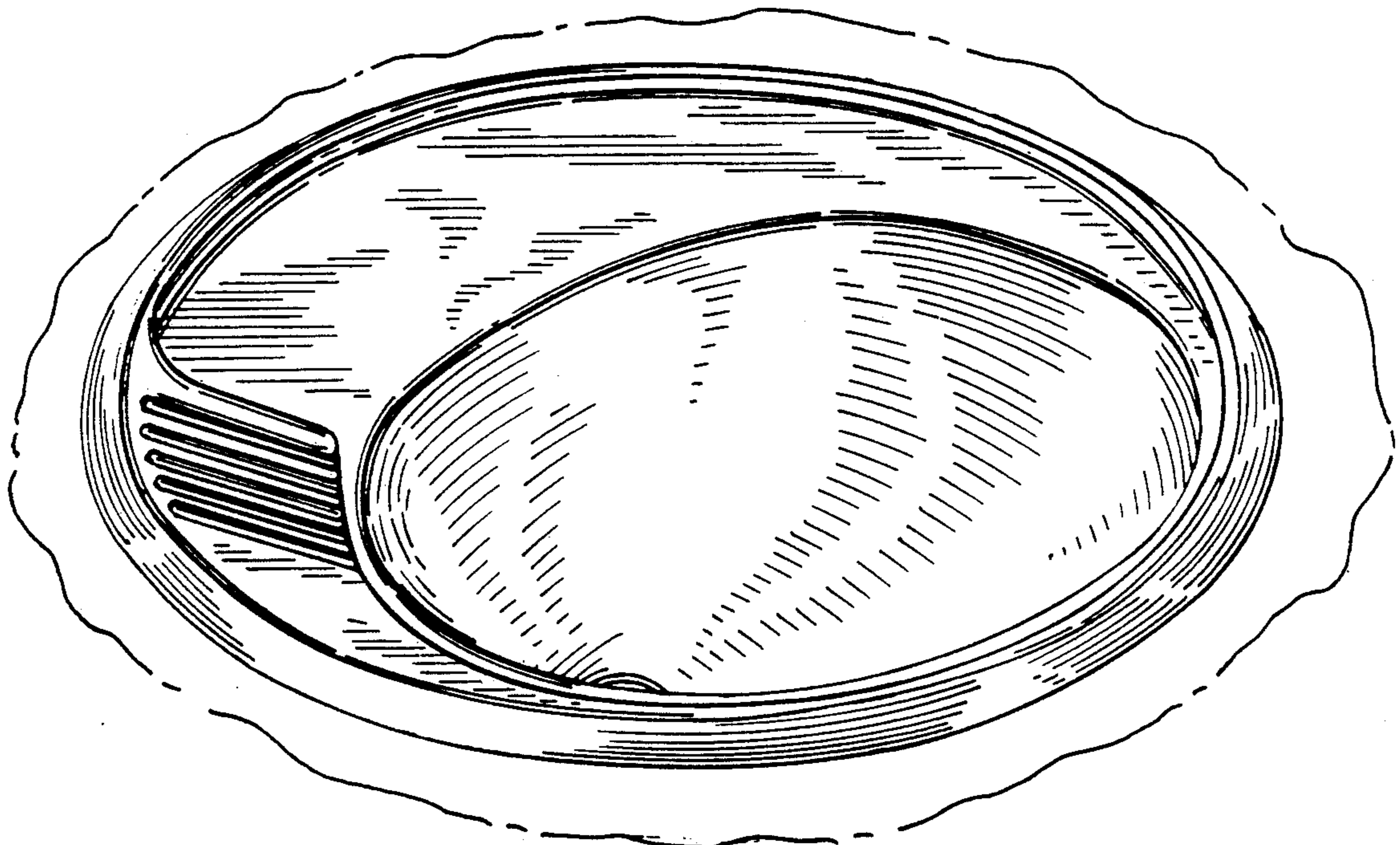
[57] **CLAIM**

The ornamental design for a lavatory, as shown and described.

DESCRIPTION

FIG. 1 is a front, top and left side perspective view of a lavatory showing my new design;
FIG. 2 is a top plan view thereof;
FIG. 3 is a right side elevational view thereof, the left side being a mirror image of the right side;
FIG. 4 is a front elevational view thereof;
FIG. 5 is a rear elevational view thereof;
FIG. 6 is a bottom plan view thereof;
FIG. 7 is a cross-sectional view taken on line 7—7 of FIG. 2;
FIG. 8 is a cross-sectional view taken on line 8—8 of FIG. 2;
FIG. 9 is a front, top and right side perspective view of a second embodiment thereof;
FIG. 10 is a front, top and left side perspective view of a third embodiment thereof;
FIG. 11 is a top plan view of FIG. 10;
FIG. 12 is a right side elevational view of FIG. 10, the left side being a mirror image of the right side;
FIG. 13 is a front elevational view of FIG. 10;
FIG. 14 is a rear elevational view of FIG. 10;
FIG. 15 is a bottom plan view of FIG. 10;
FIG. 16 is a cross-sectional view taken on line 16—16 of FIG. 11;
FIG. 17 is a cross-sectional view taken on line 17—17 of FIG. 11; and
FIG. 18 is a front, top and right side perspective view of a fourth embodiment thereof.

The fragmentary broken line representations of countertops in FIGS. 1, 9, 10 and 18 are for purposes of illustration only and form no part of the claimed design.



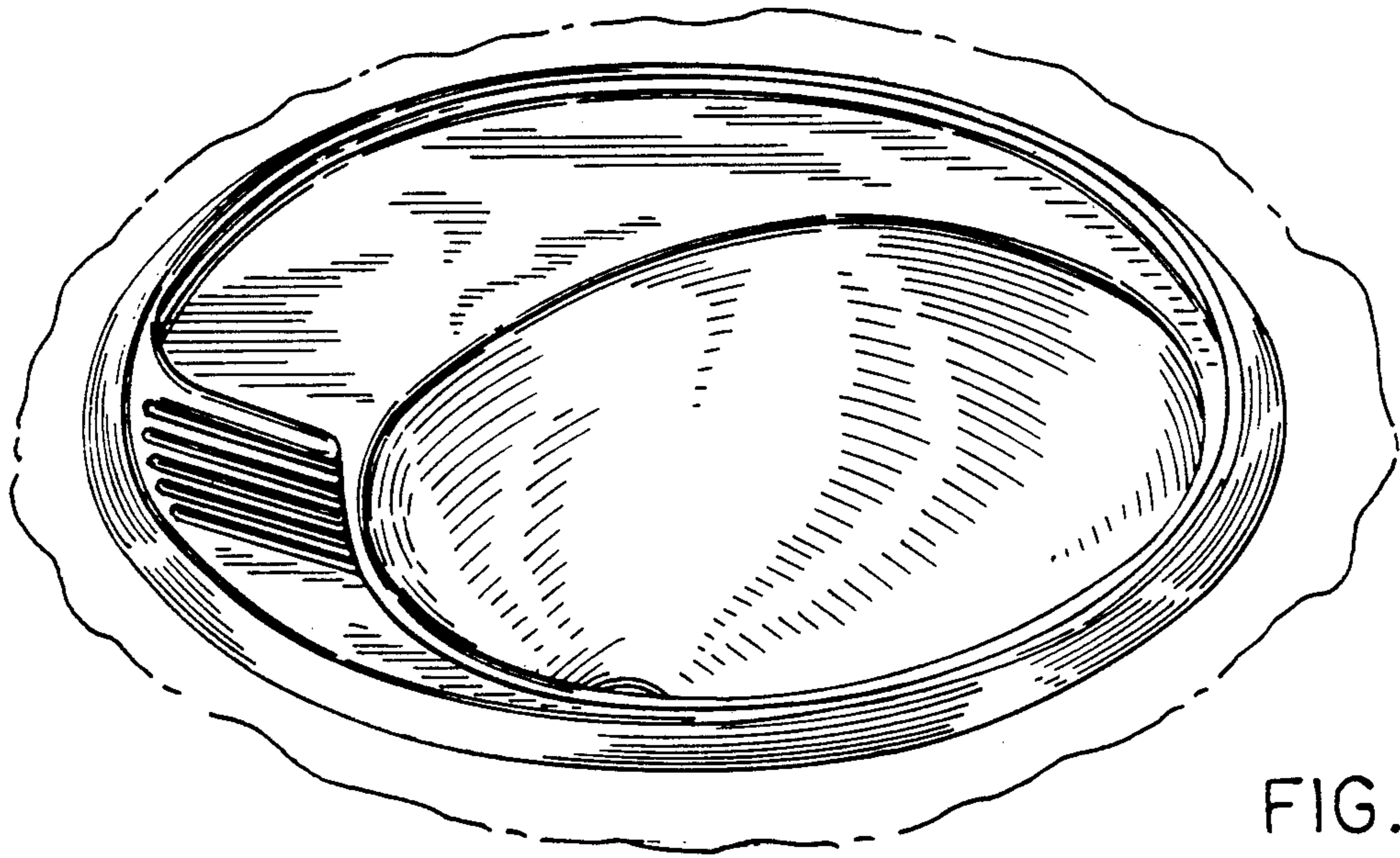
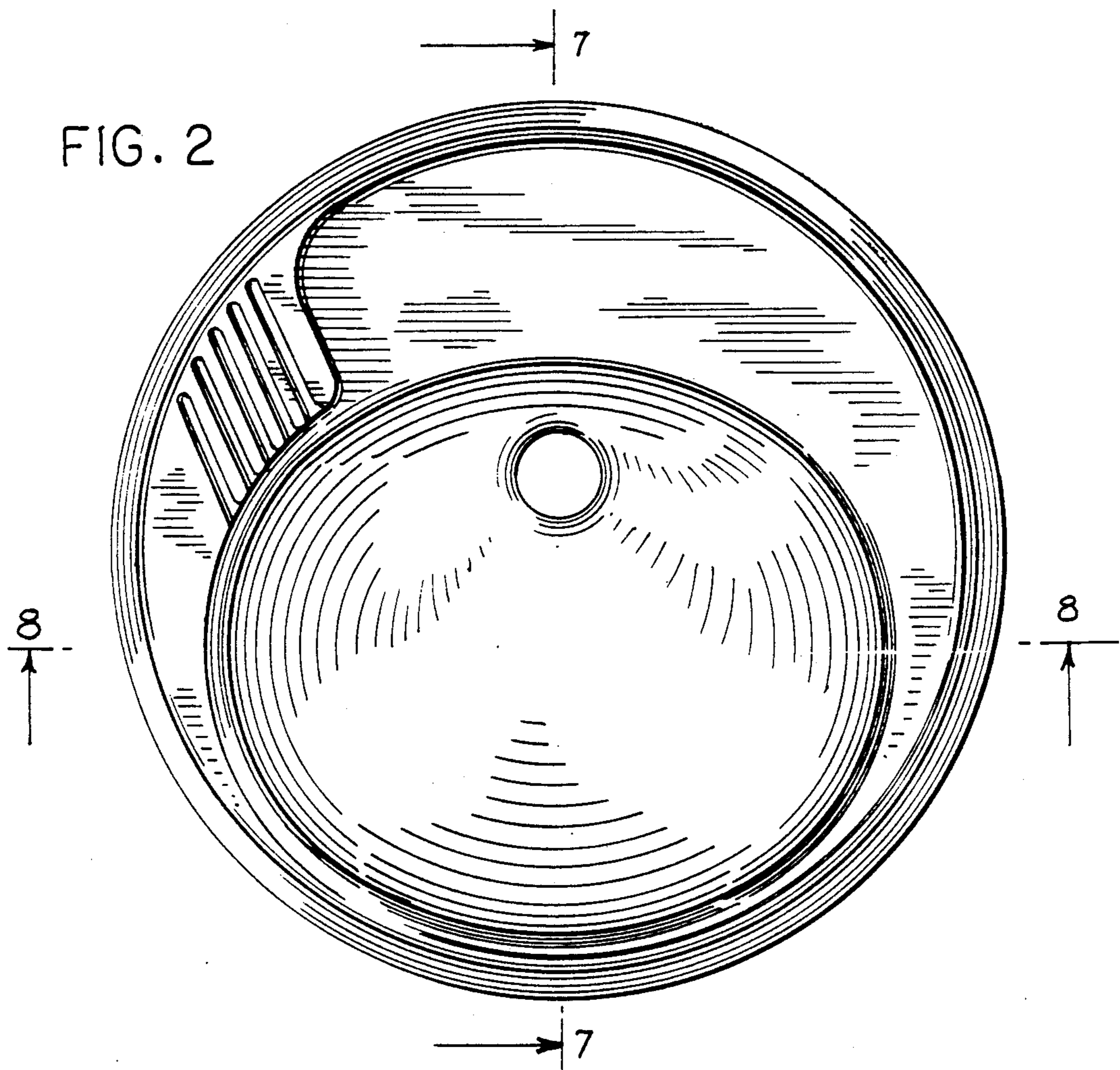


FIG. 1

FIG. 2



7

8

8

7

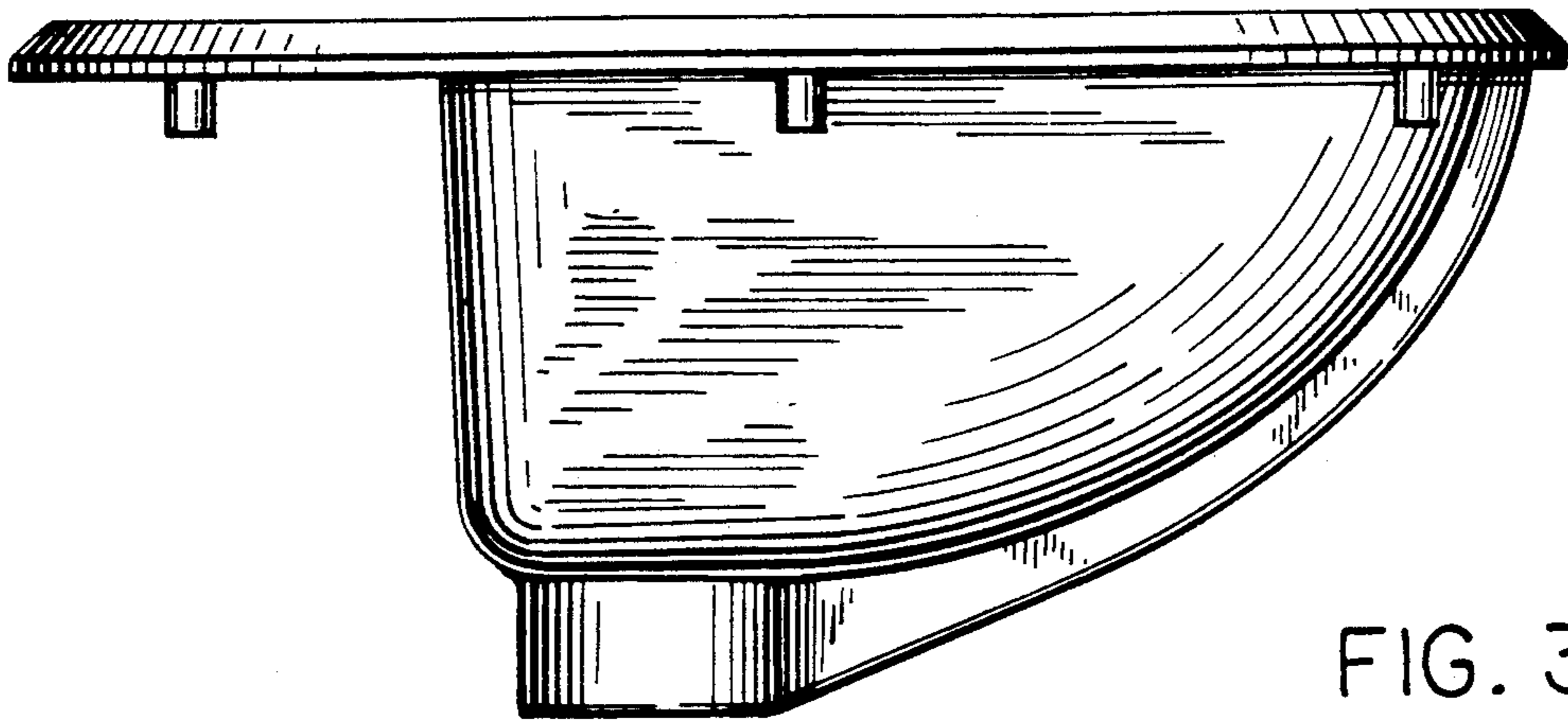


FIG. 3

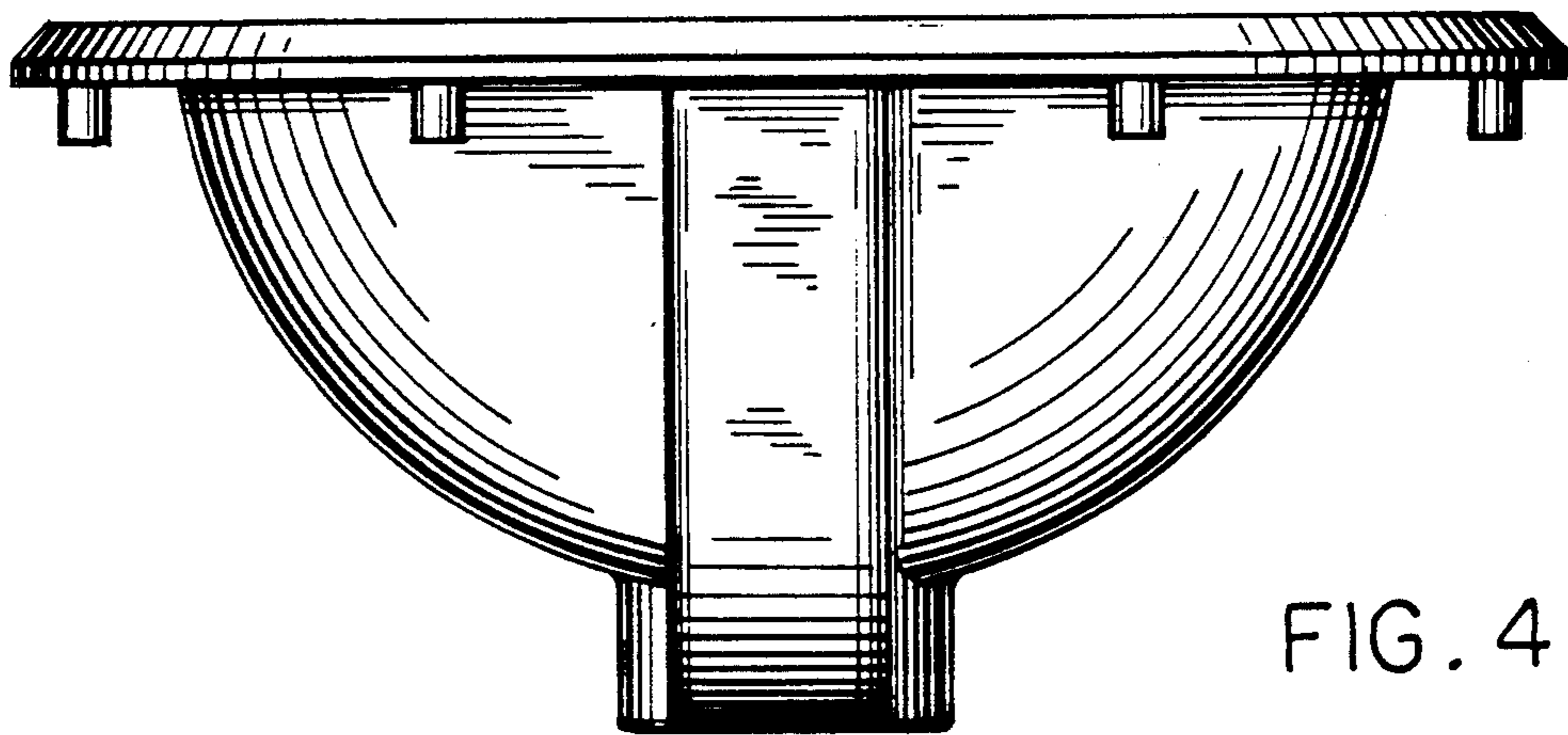


FIG. 4

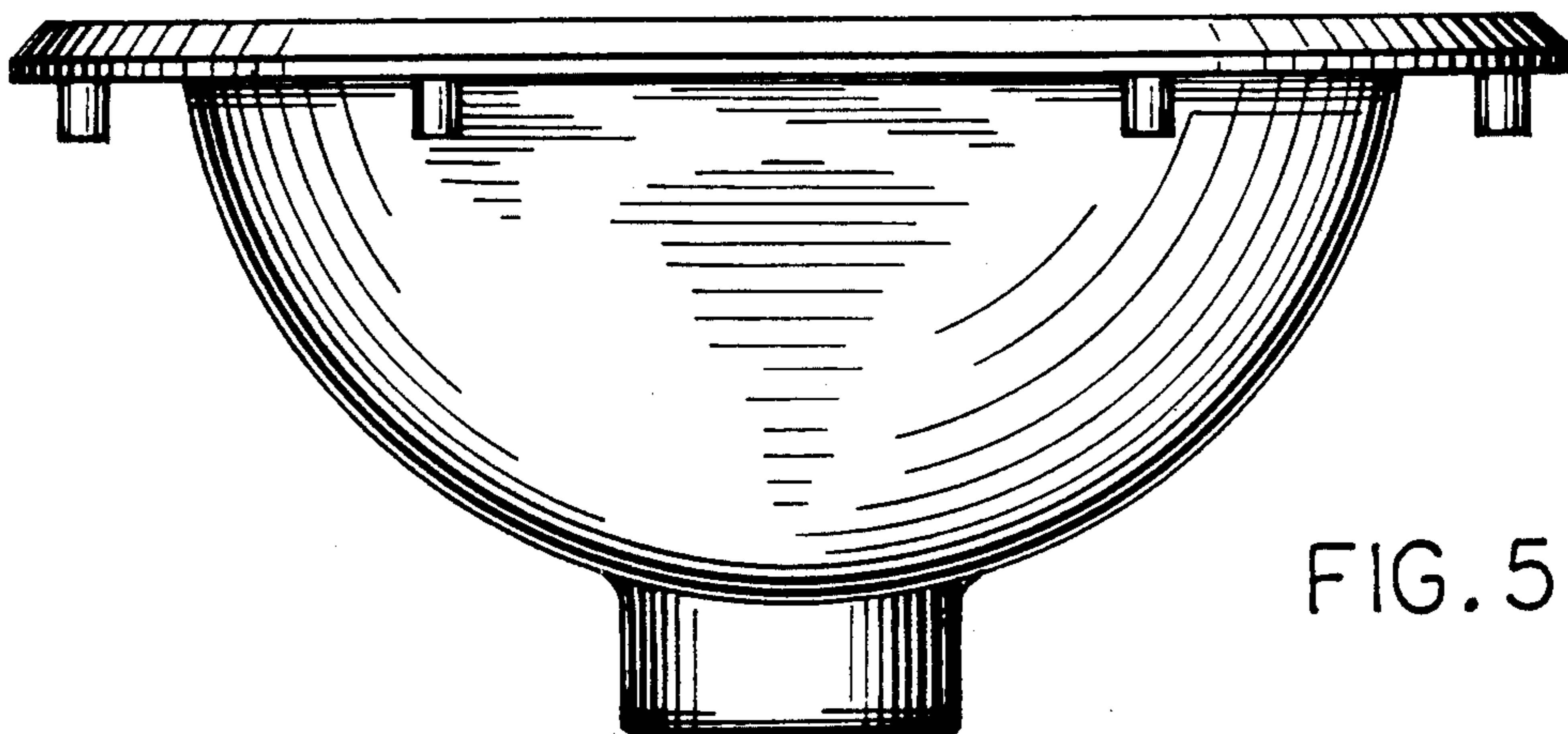


FIG. 5

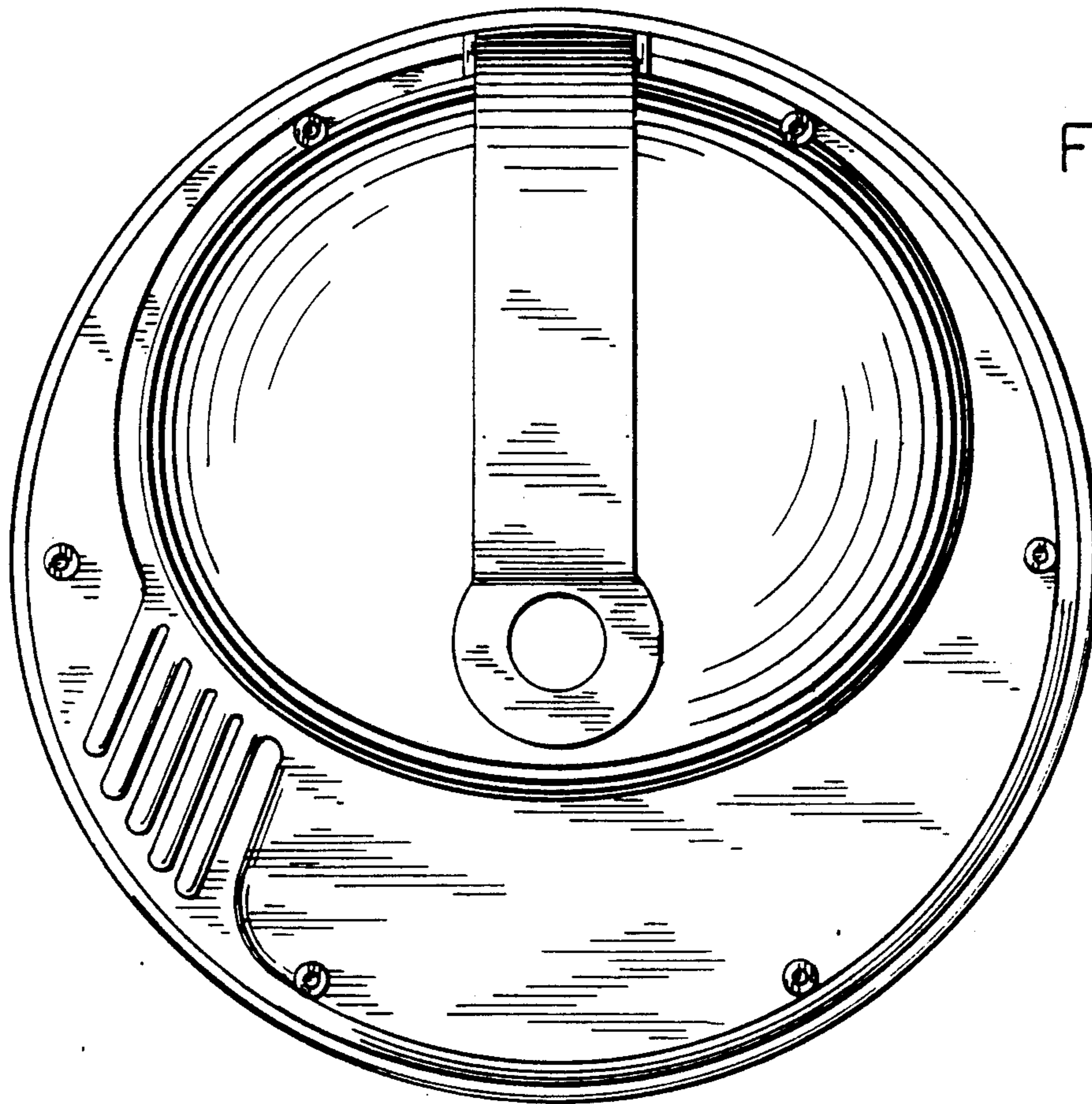


FIG. 6

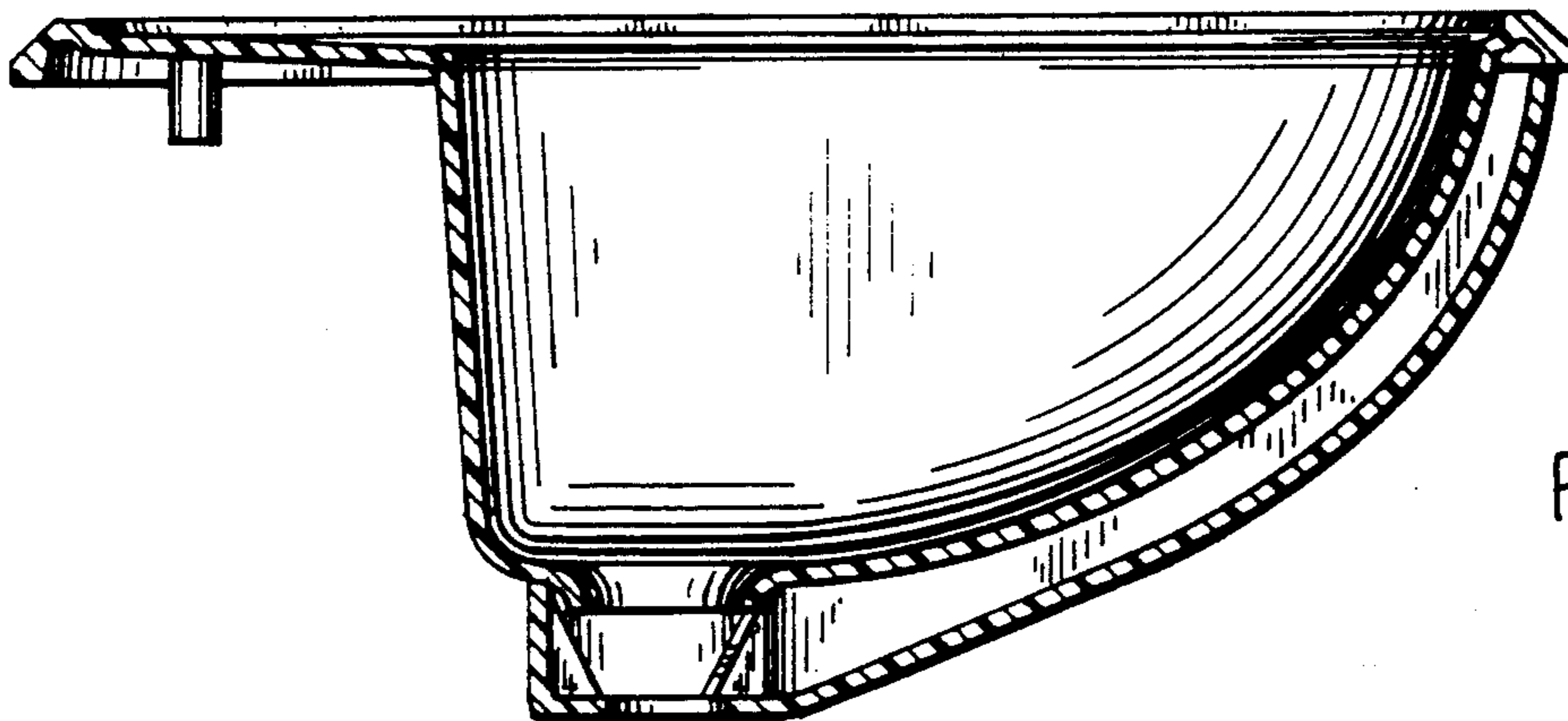


FIG. 7

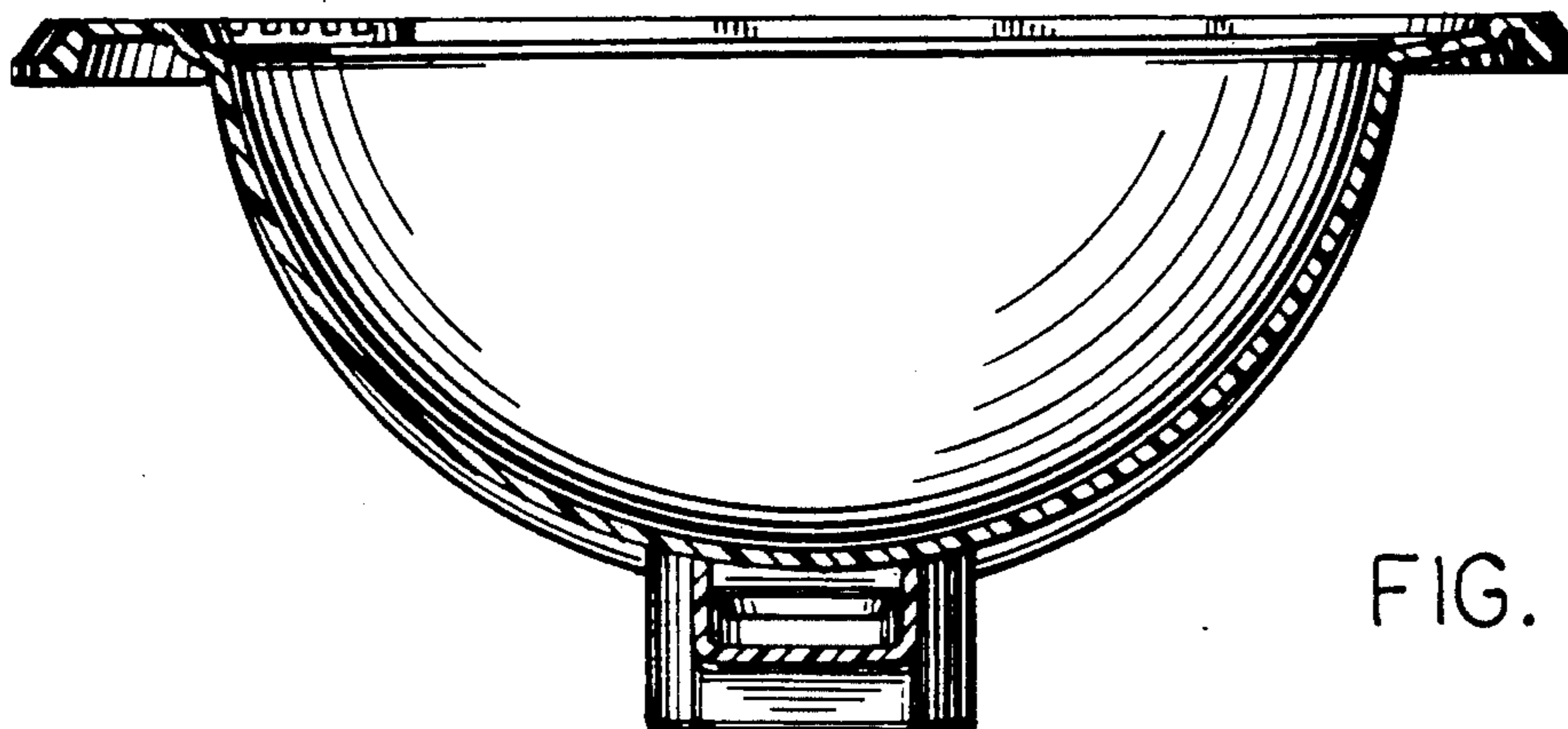


FIG. 8

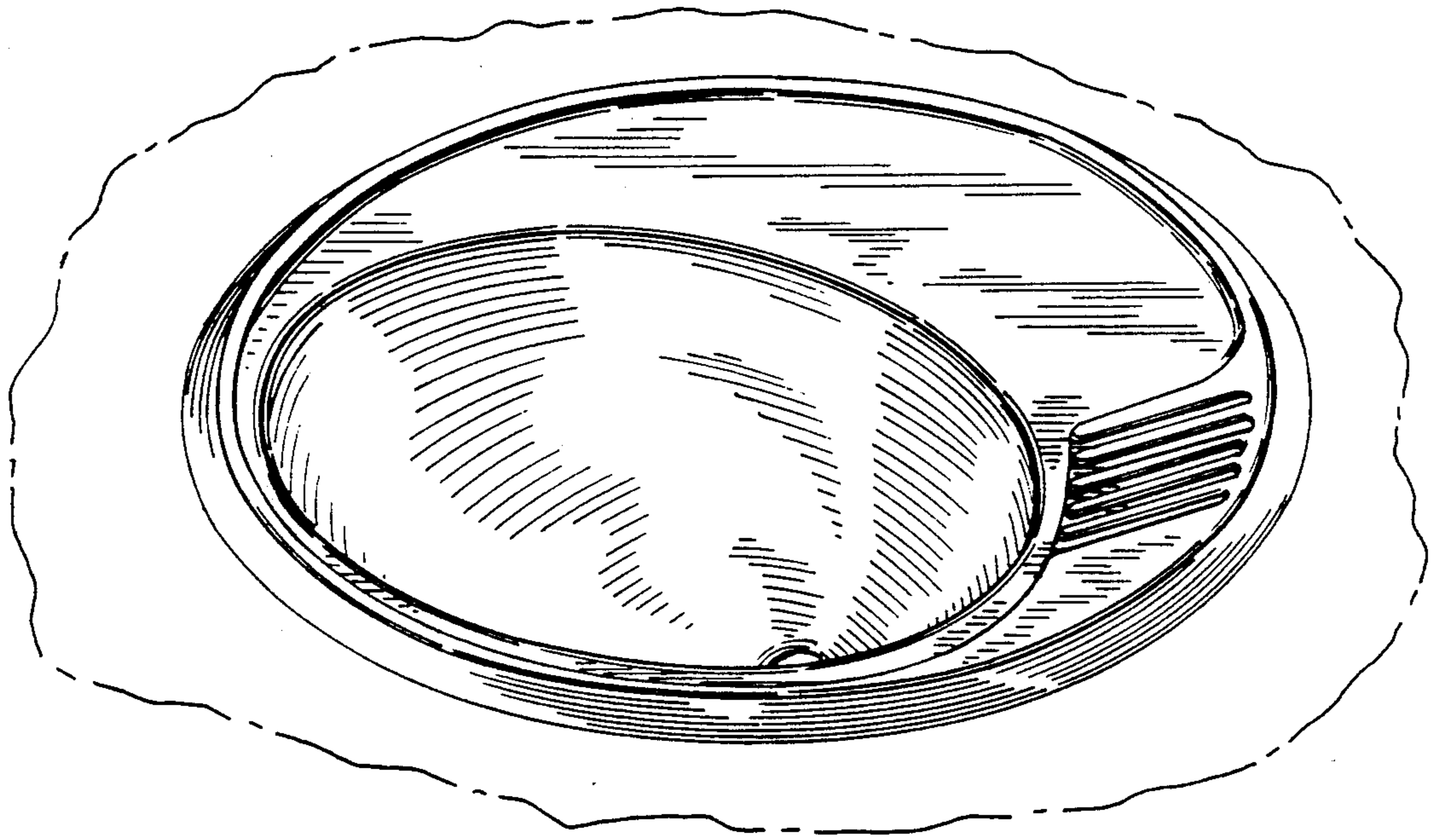


FIG. 9

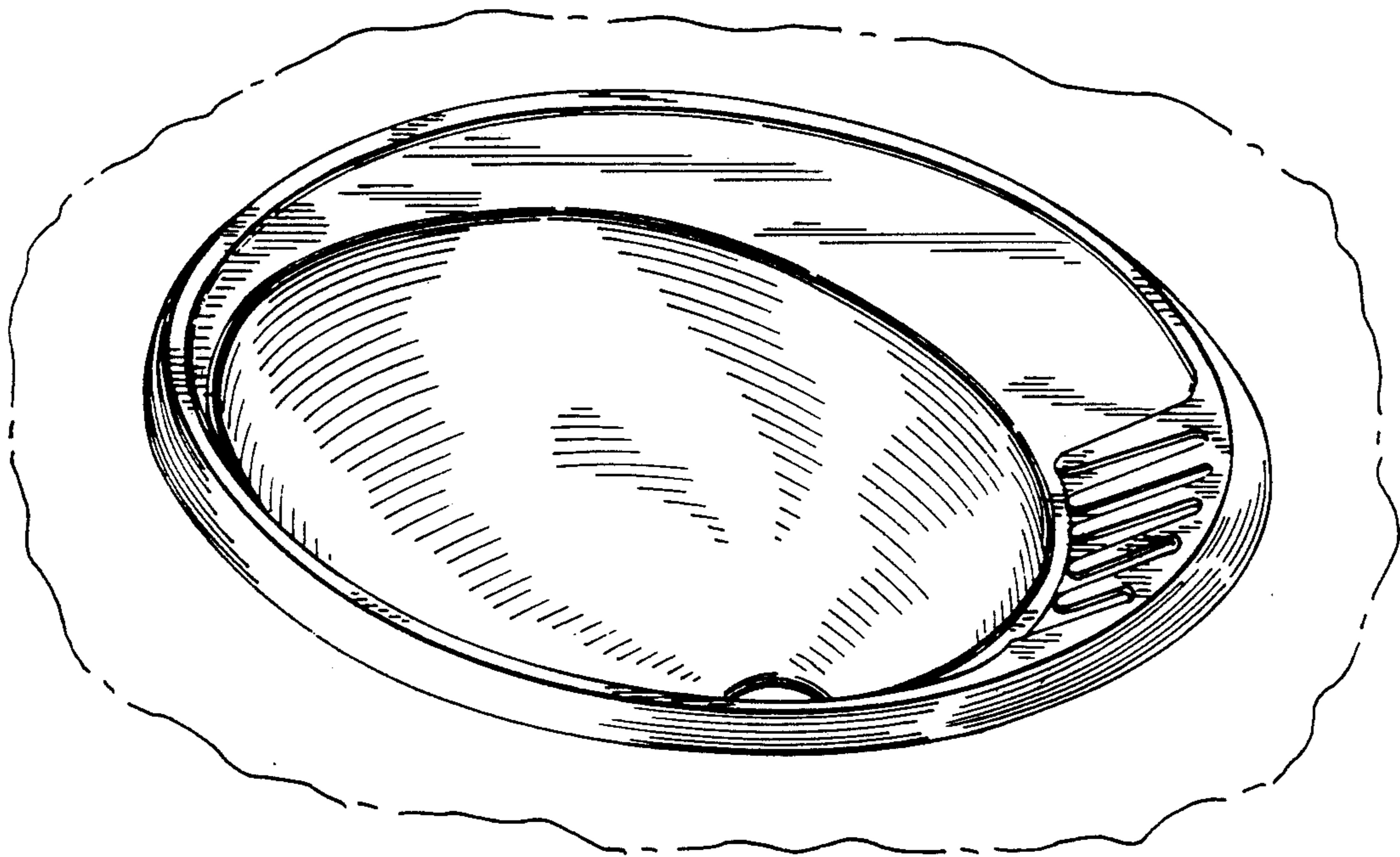


FIG. 18

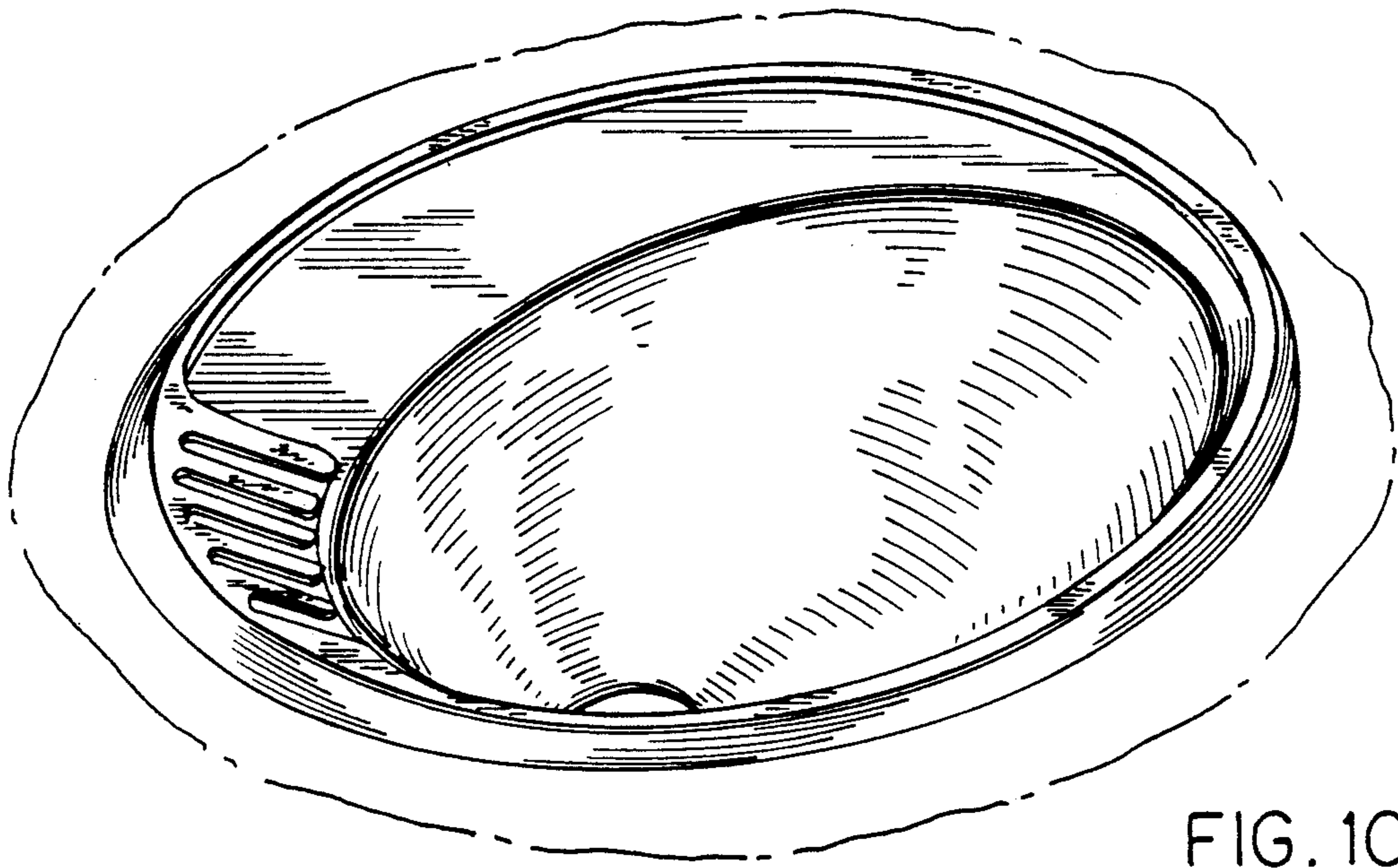


FIG. 10

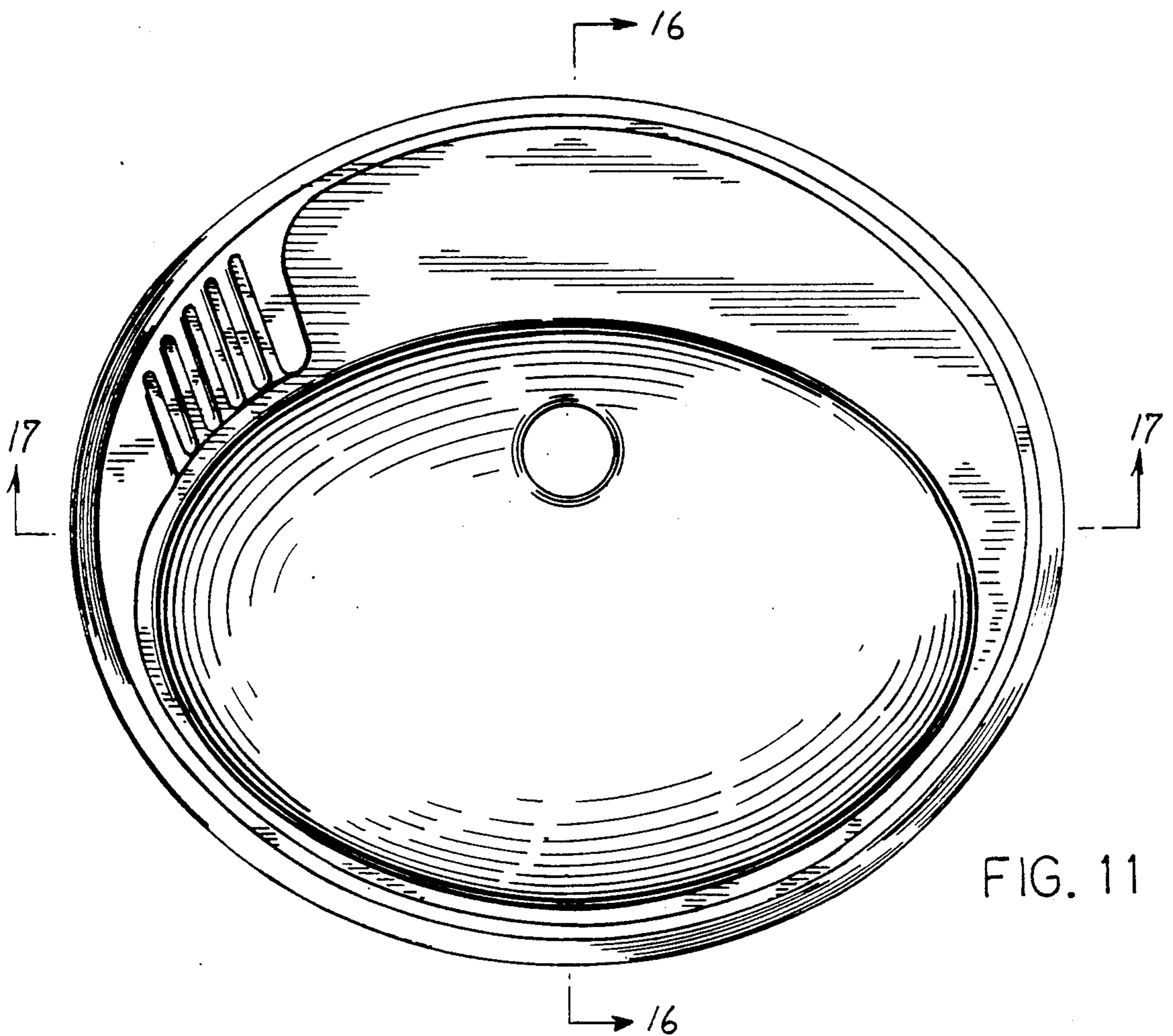


FIG. 11

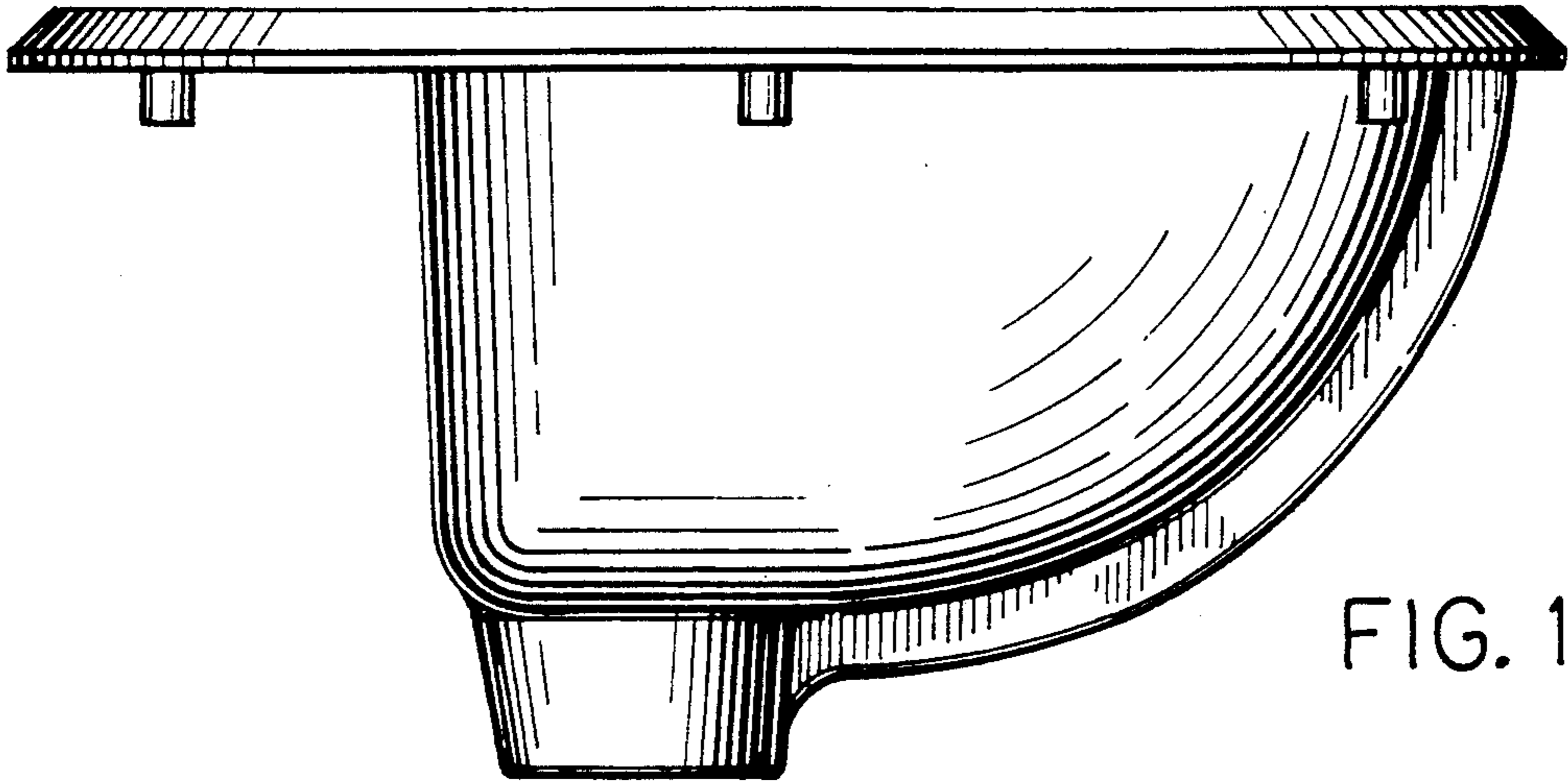


FIG. 12

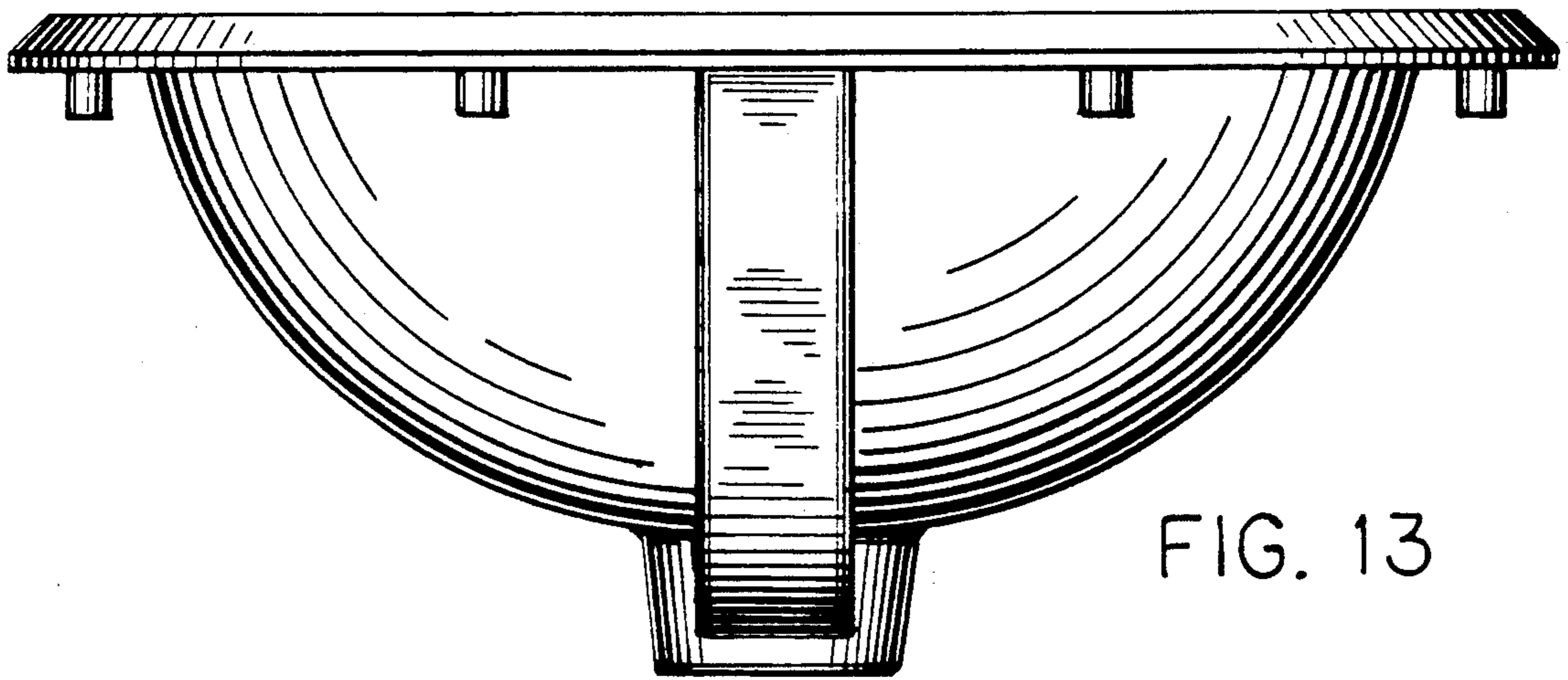


FIG. 13

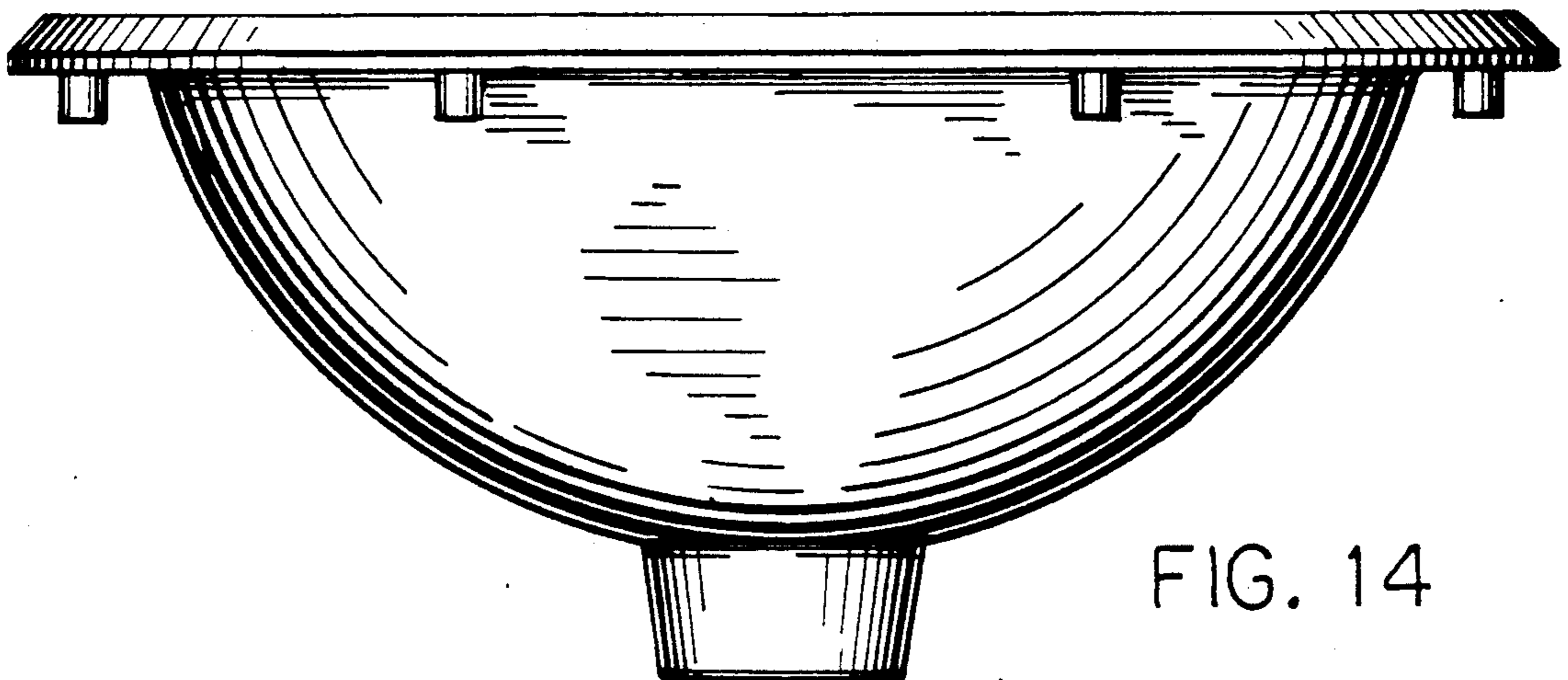


FIG. 14

FIG. 15

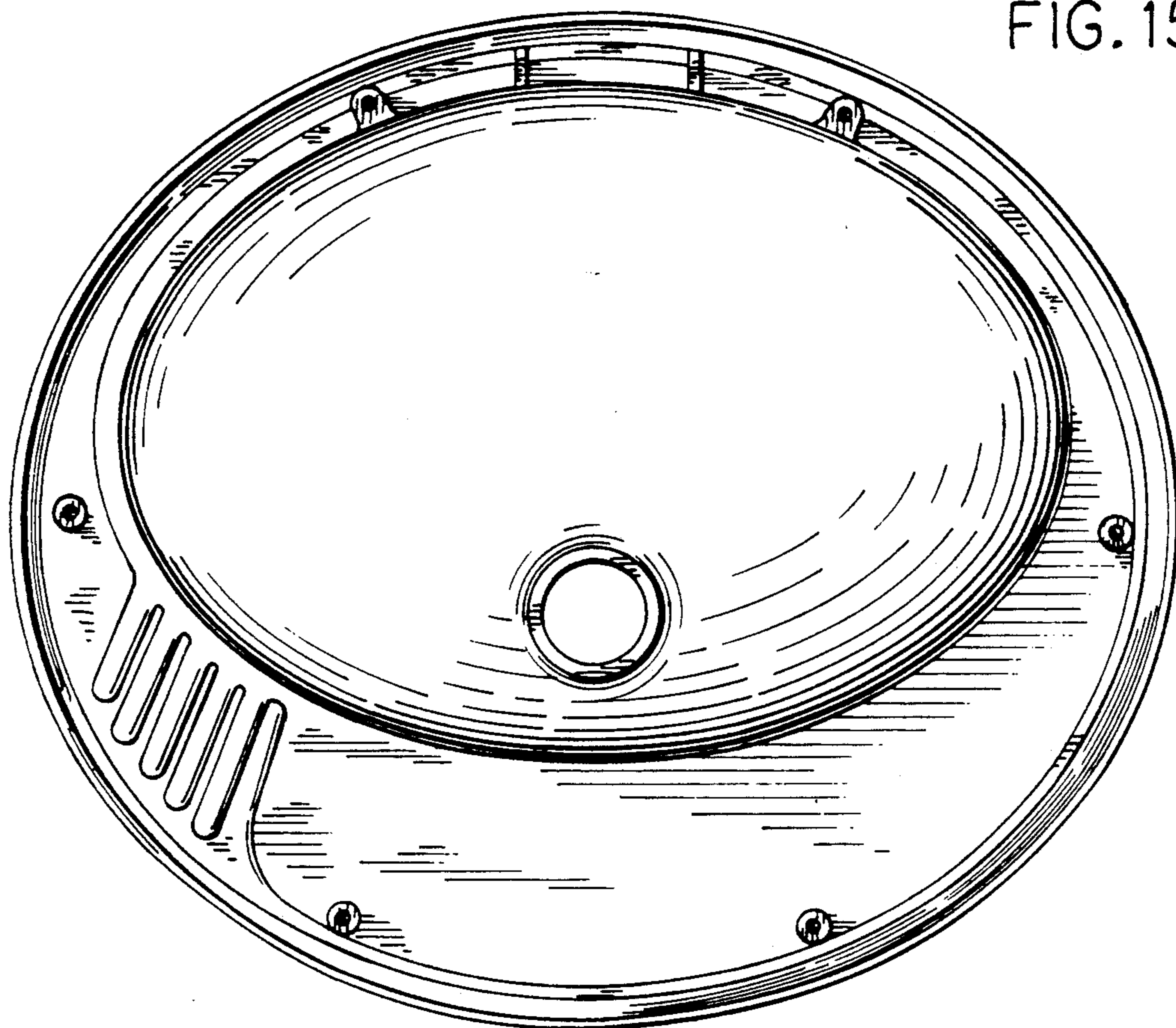


FIG. 16

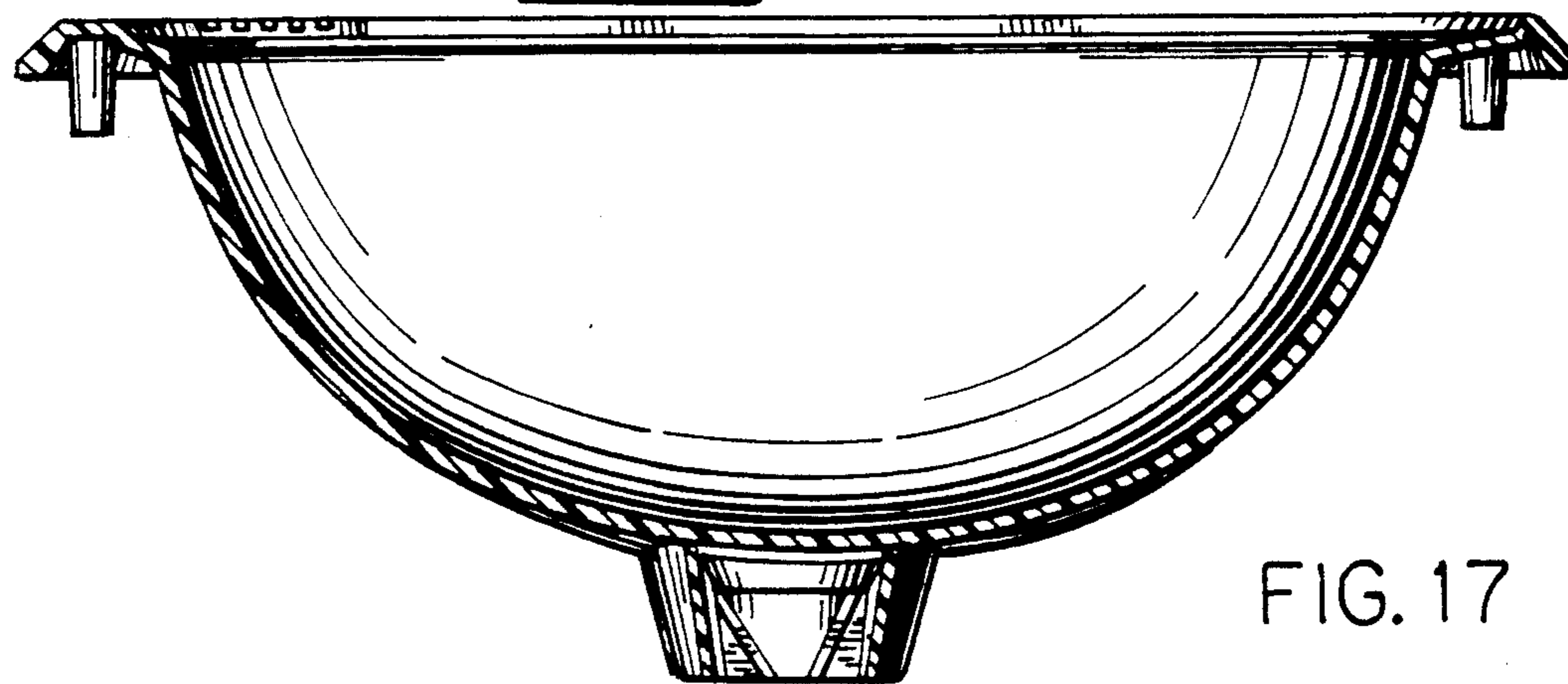
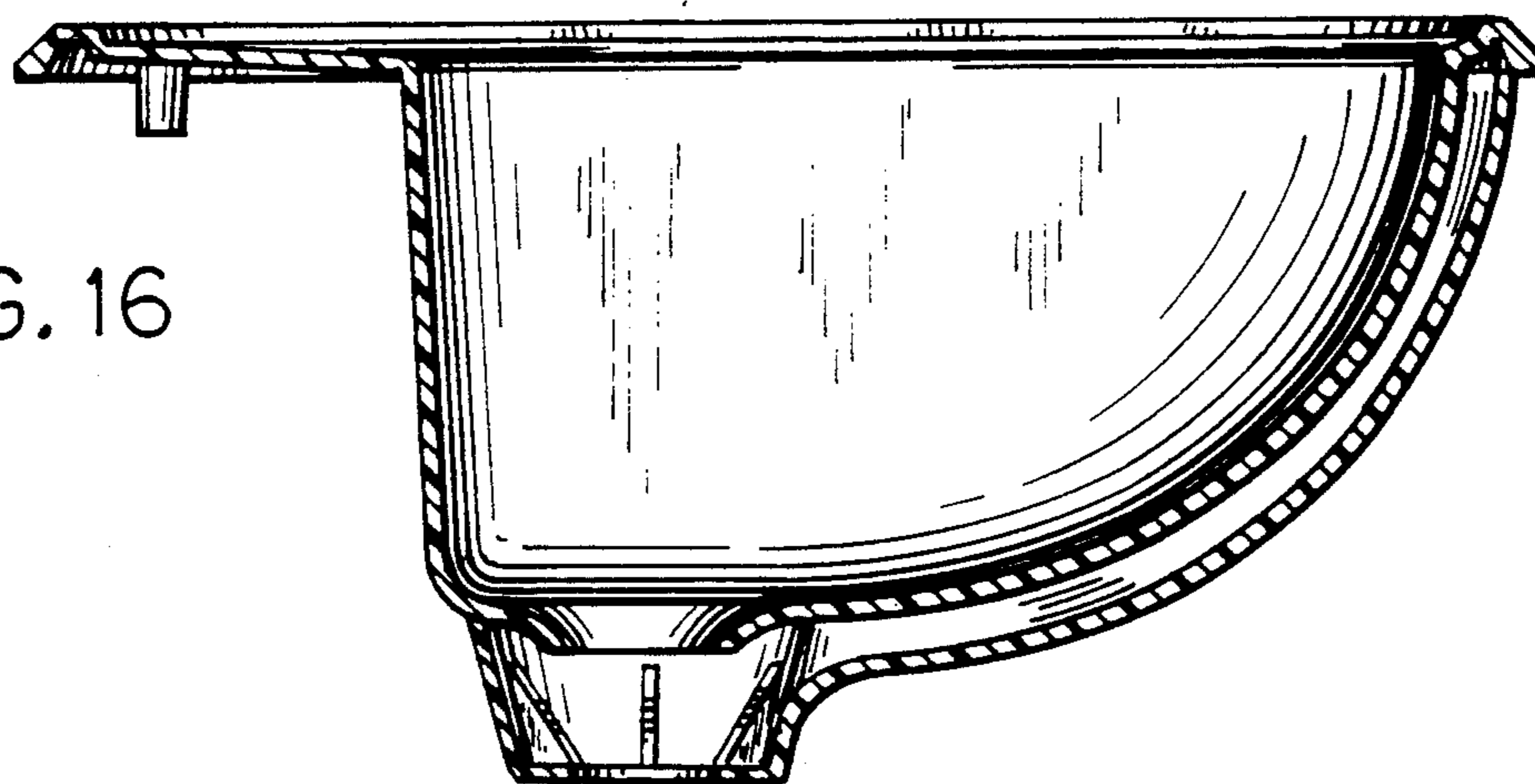


FIG. 17