

[54] WATER JET NOZZLE

[76] Inventor: Shizuo Kobayashi, Matsunuma-cho
18-10, Tatebayashi-shi, Gunma-Ken
374, Japan

[**] Term: 14 Years

[21] Appl. No.: 197,904

[22] Filed: May 24, 1988

[52] U.S. Cl. D23/213

[58] Field of Search D23/200, 213-219,
D23/223-229; 222/566-575, 630, 637;
239/418, 428.5, 587, 589, 597, 599, 608; 4/492,
541-543, 567-570, 601

[56] References Cited

U.S. PATENT DOCUMENTS

- D. 103,898 3/1937 Robinson D23/213 X
- D. 288,954 3/1987 McDermott D23/213
- D. 290,165 6/1987 Jacuzzi D23/213

- 1,549,458 8/1925 Daniels 239/589
- 2,127,883 8/1938 Norton 239/597 X
- 4,618,101 10/1986 Piggott 239/599 X

Primary Examiner—Susan J. Lucas
Assistant Examiner—M. H. Tung
Attorney, Agent, or Firm—Flynn, Thiel, Boutell & Tanis

[57] CLAIM

The ornamental design for a water jet nozzle, as shown and described.

DESCRIPTION

- FIG. 1 is a perspective view of a water jet nozzle showing my new design;
- FIG. 2 is a top plan view thereof;
- FIG. 3 is a front elevational view thereof;
- FIG. 4 is a bottom plan view thereof;
- FIG. 5 is a rear elevational view thereof;
- FIG. 6 is an end elevational view thereof;
- FIG. 7 is the other end elevational view thereof;
- FIG. 8 is a cross sectional view thereof.

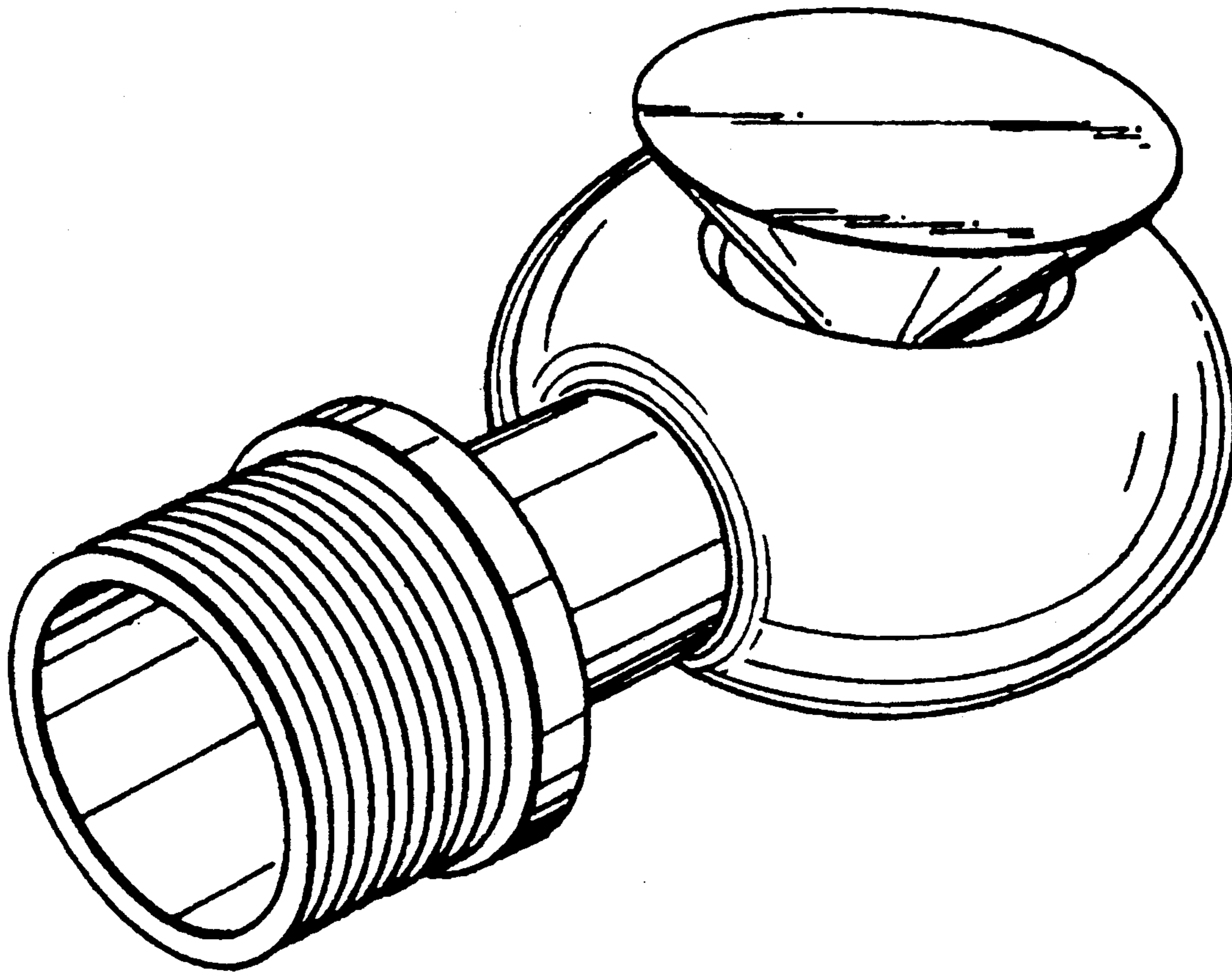


FIG. 1

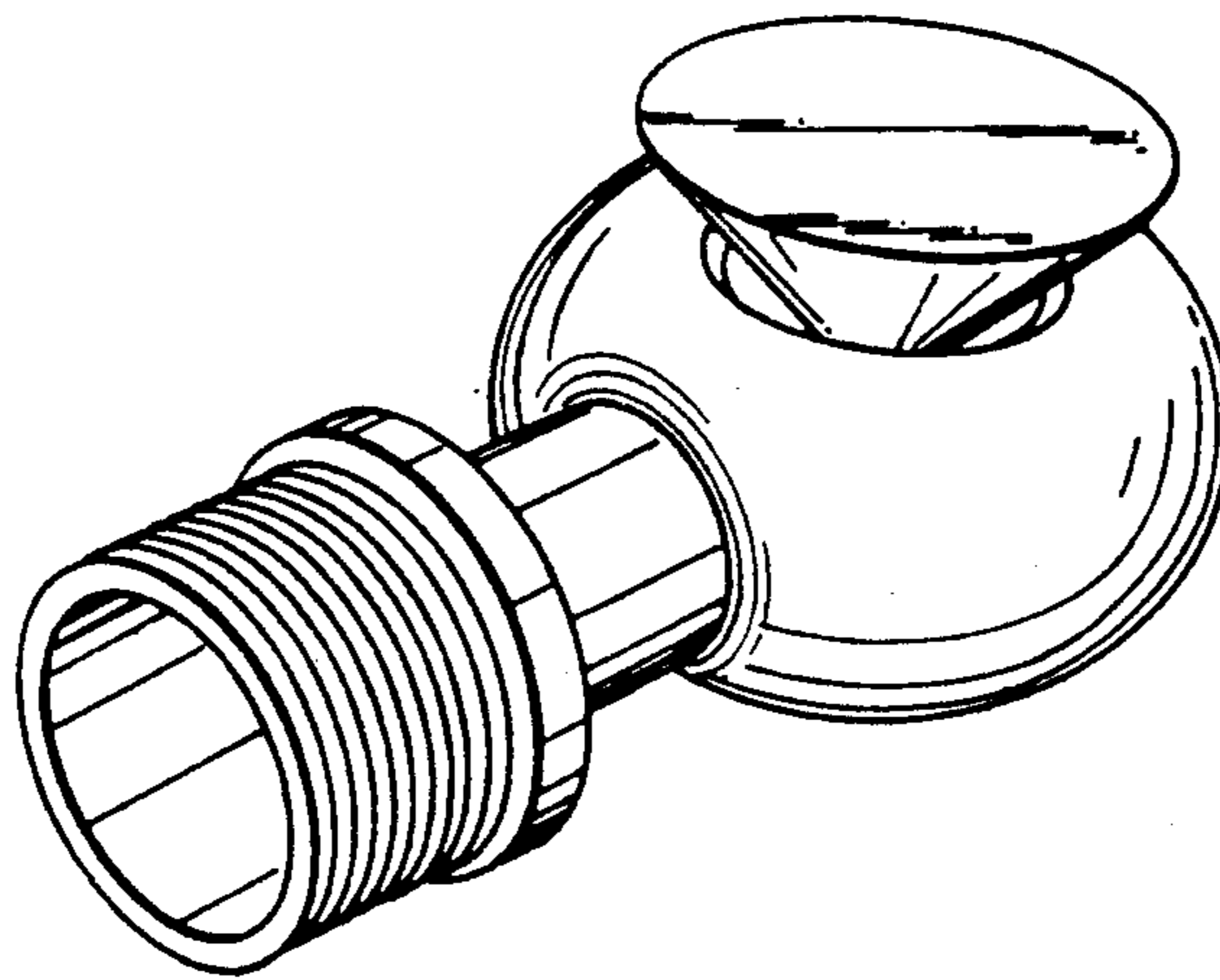


FIG. 2

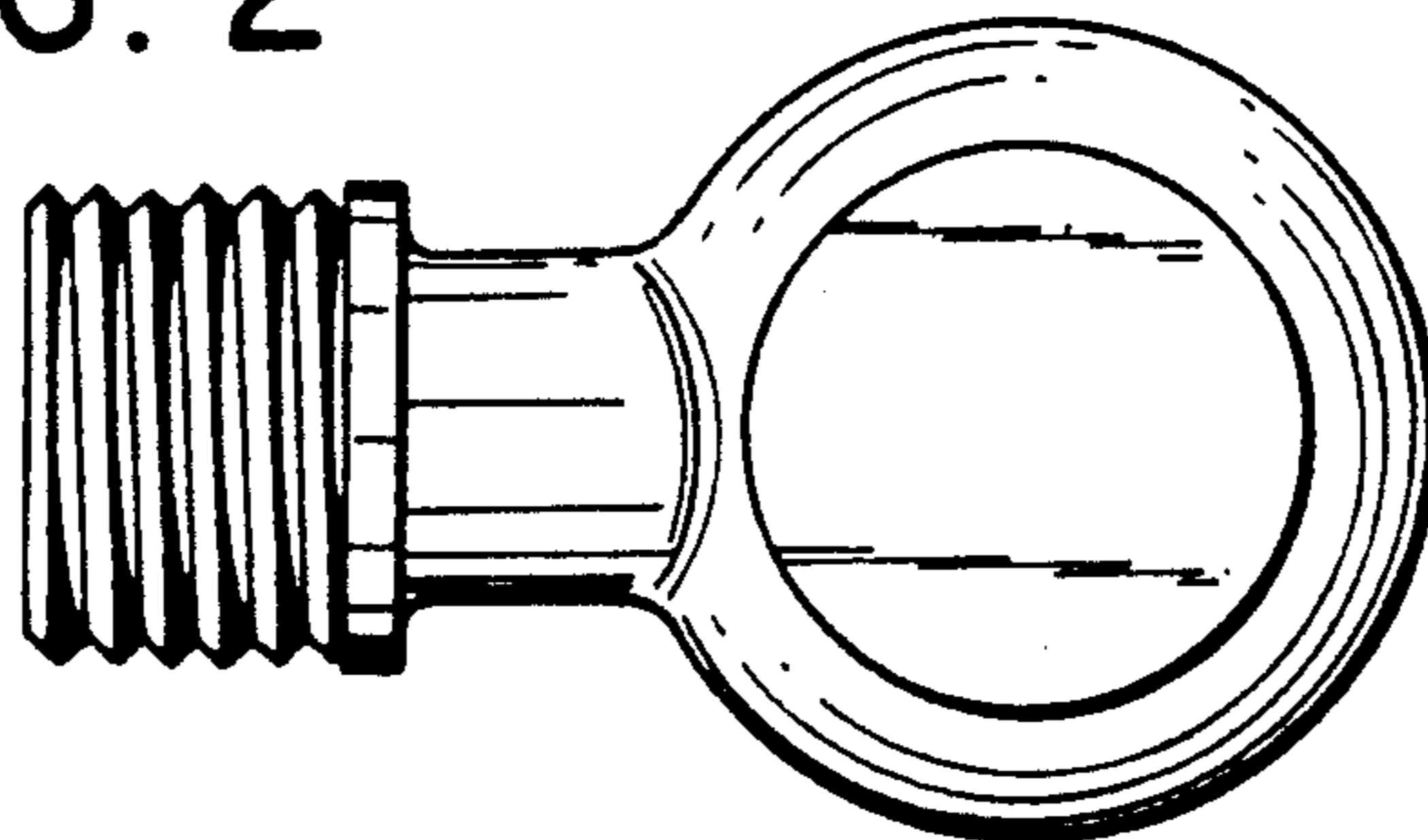


FIG. 3

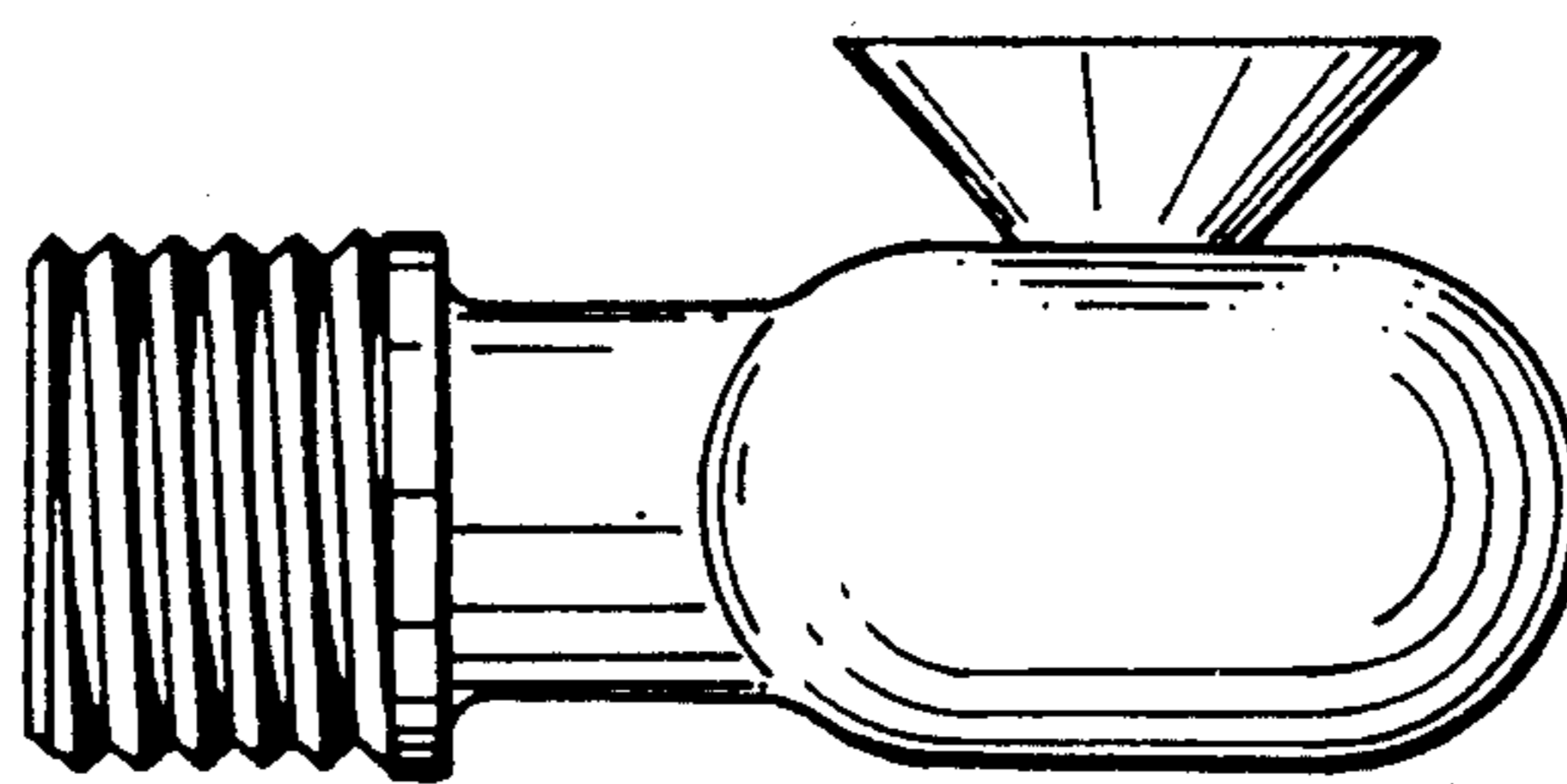


FIG. 4

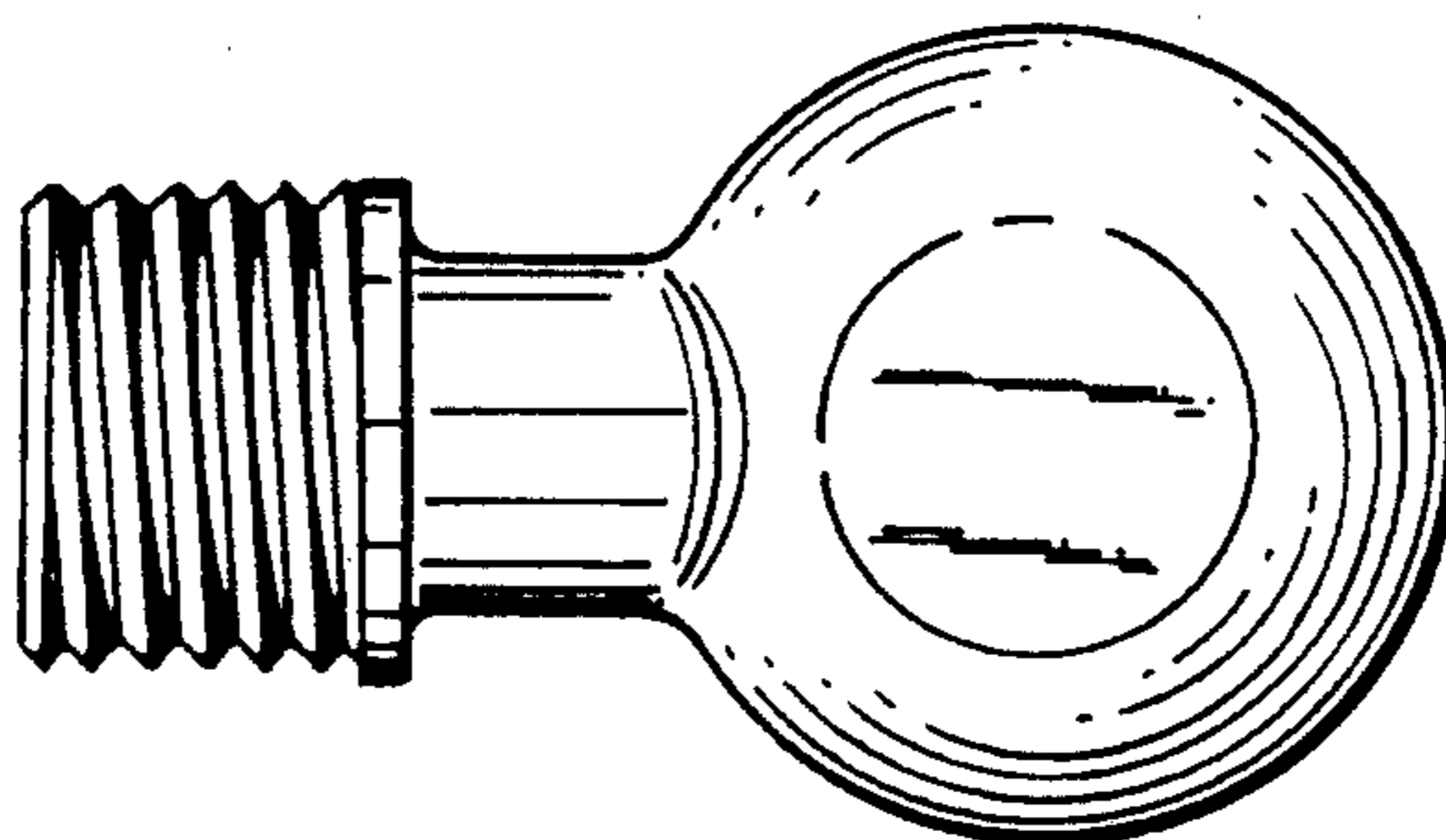


FIG. 5

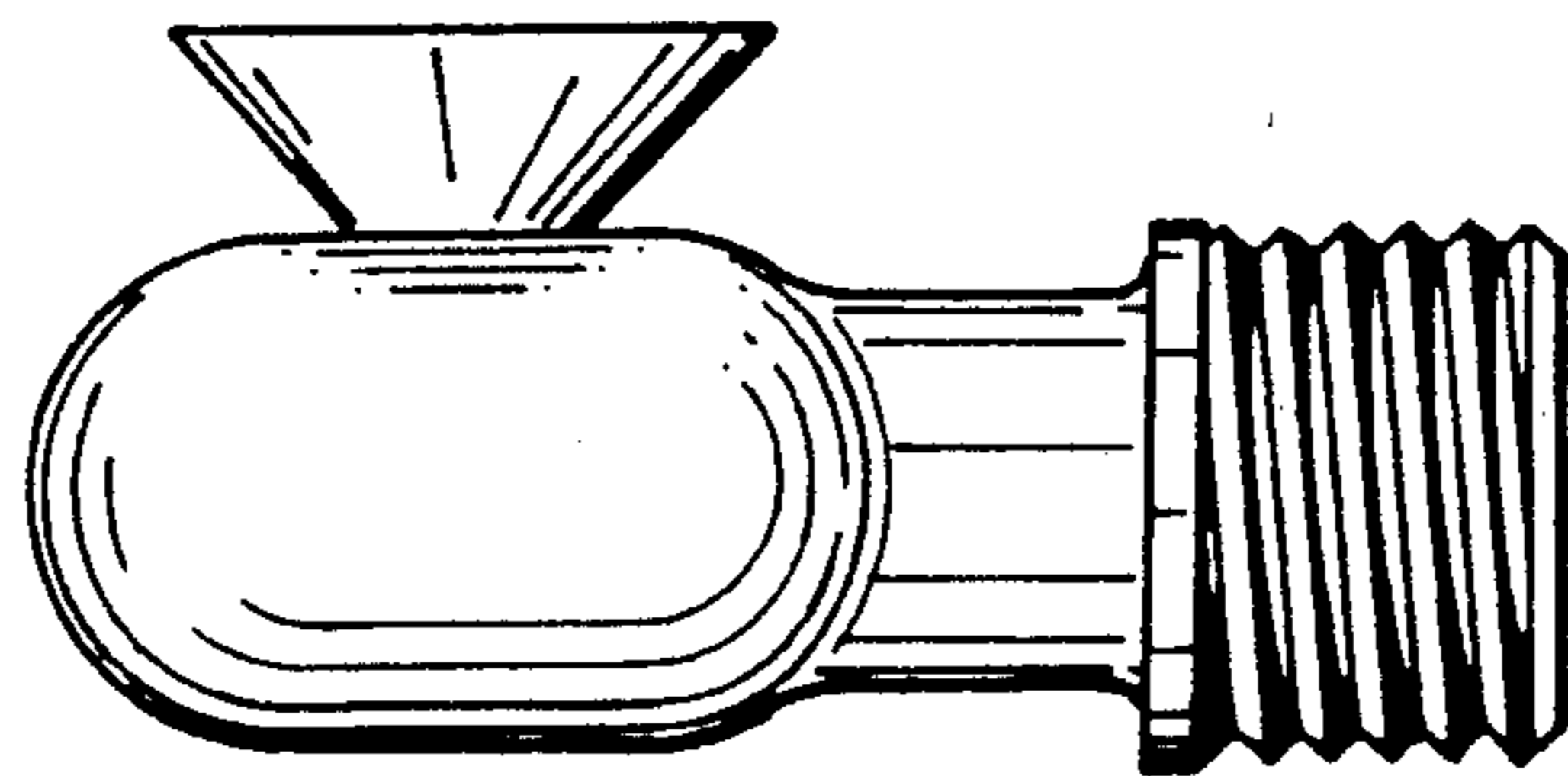


FIG. 6

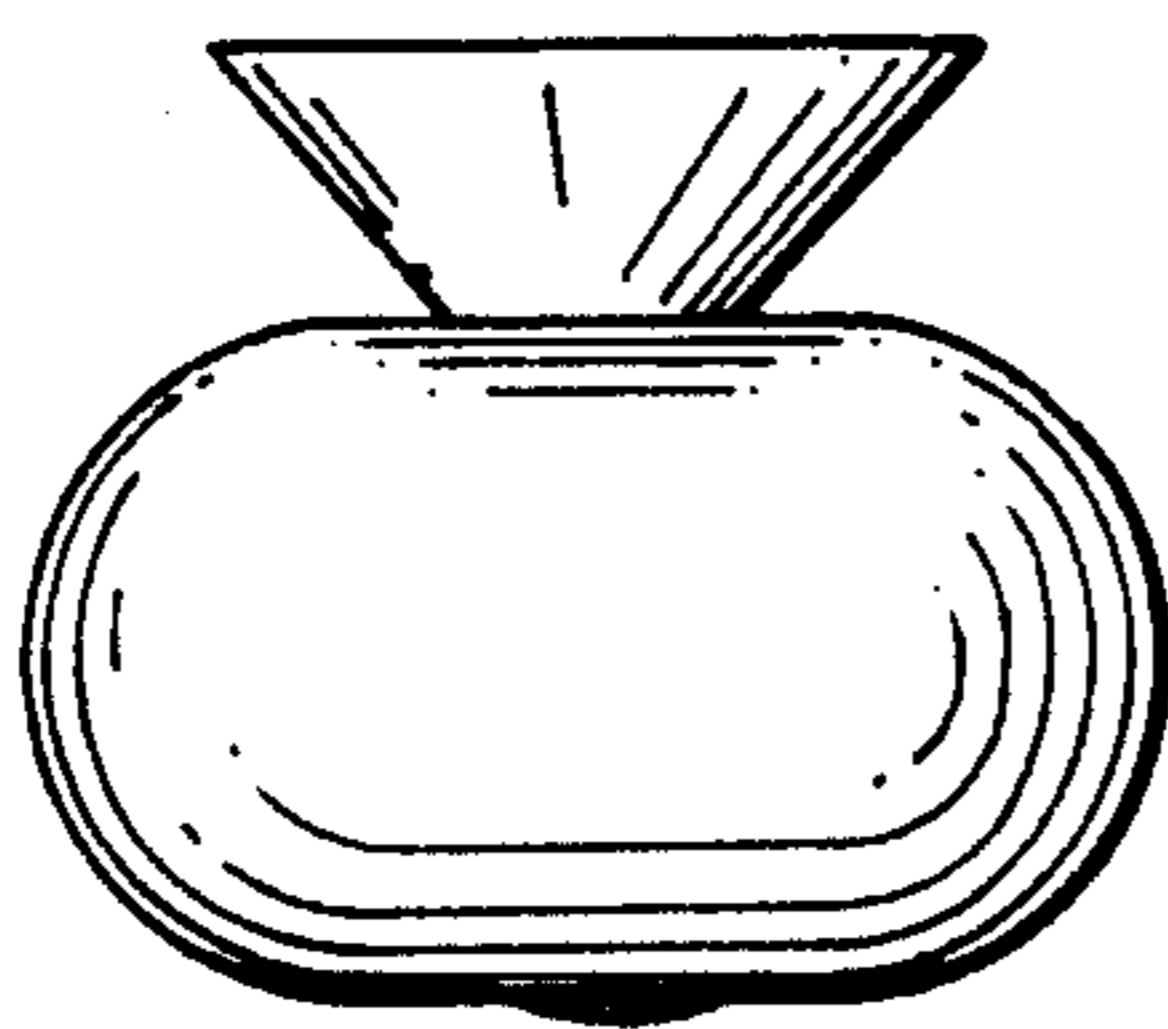


FIG. 7

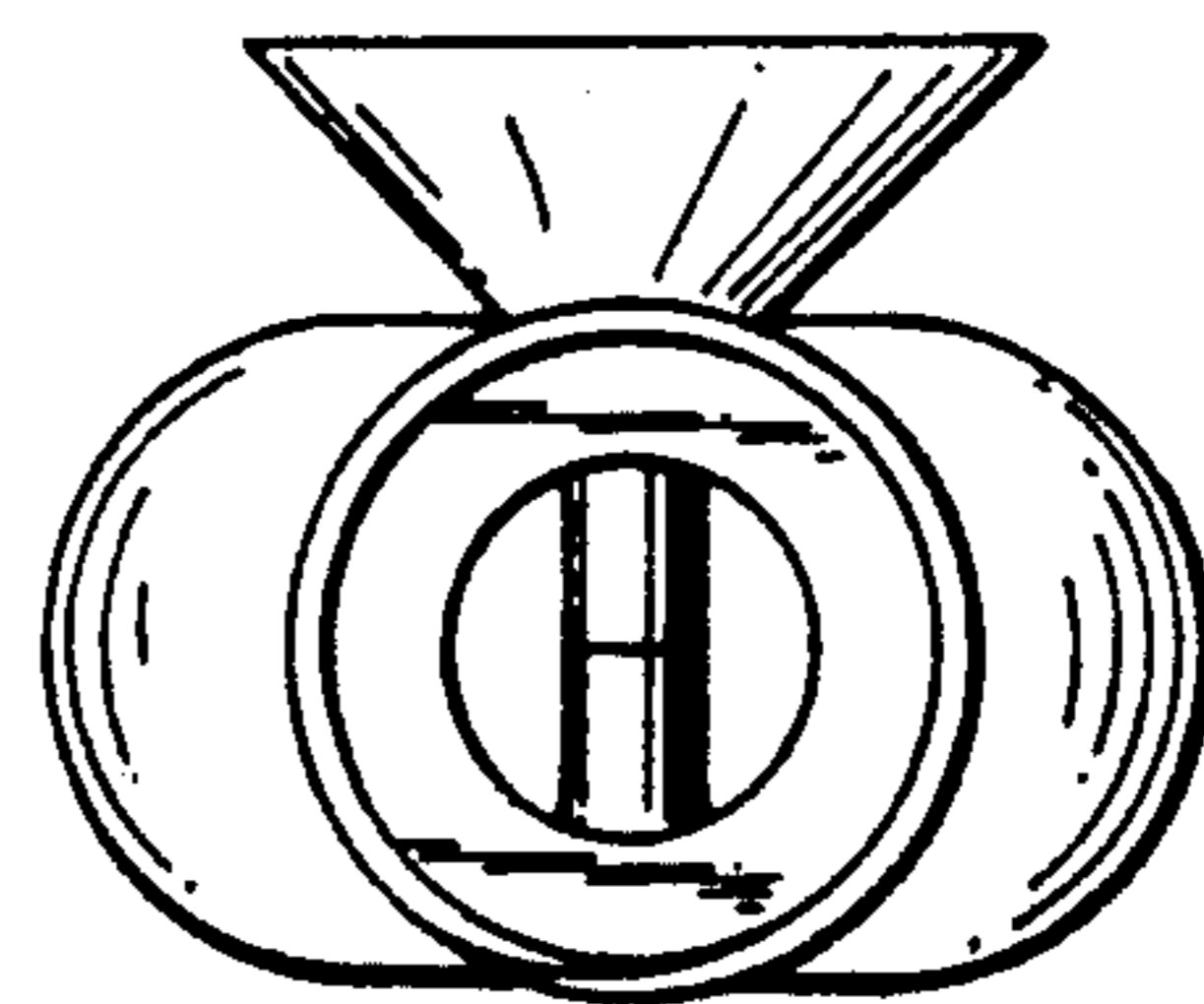


FIG. 8

