

[54] AMUSEMENT RIDE

3,019,740 2/1962 Price D21/247 X

[75] Inventor: Gerard Reda, Plainview, N.Y.

OTHER PUBLICATIONS

[73] Assignee: Toddler University Inc., Westport, Conn.

Footwear News, May, 1985, as shown by arrow.

[**] Term: 14 Years

Primary Examiner—Bernard Ansher
Assistant Examiner—Prabhakar Deshmukh
Attorney, Agent, or Firm—Lerner, David, Littenberg,
Krumholz & Mentlik

[21] Appl. No.: 292,740

[22] Filed: Jan. 3, 1989

[52] U.S. Cl. D21/247

[58] Field of Search D21/247; 272/40, 43,
272/44, 45; D2/278, 309, 310; D11/131, 157

[57] CLAIM

The design ornamental for an amusement ride, as shown and described.

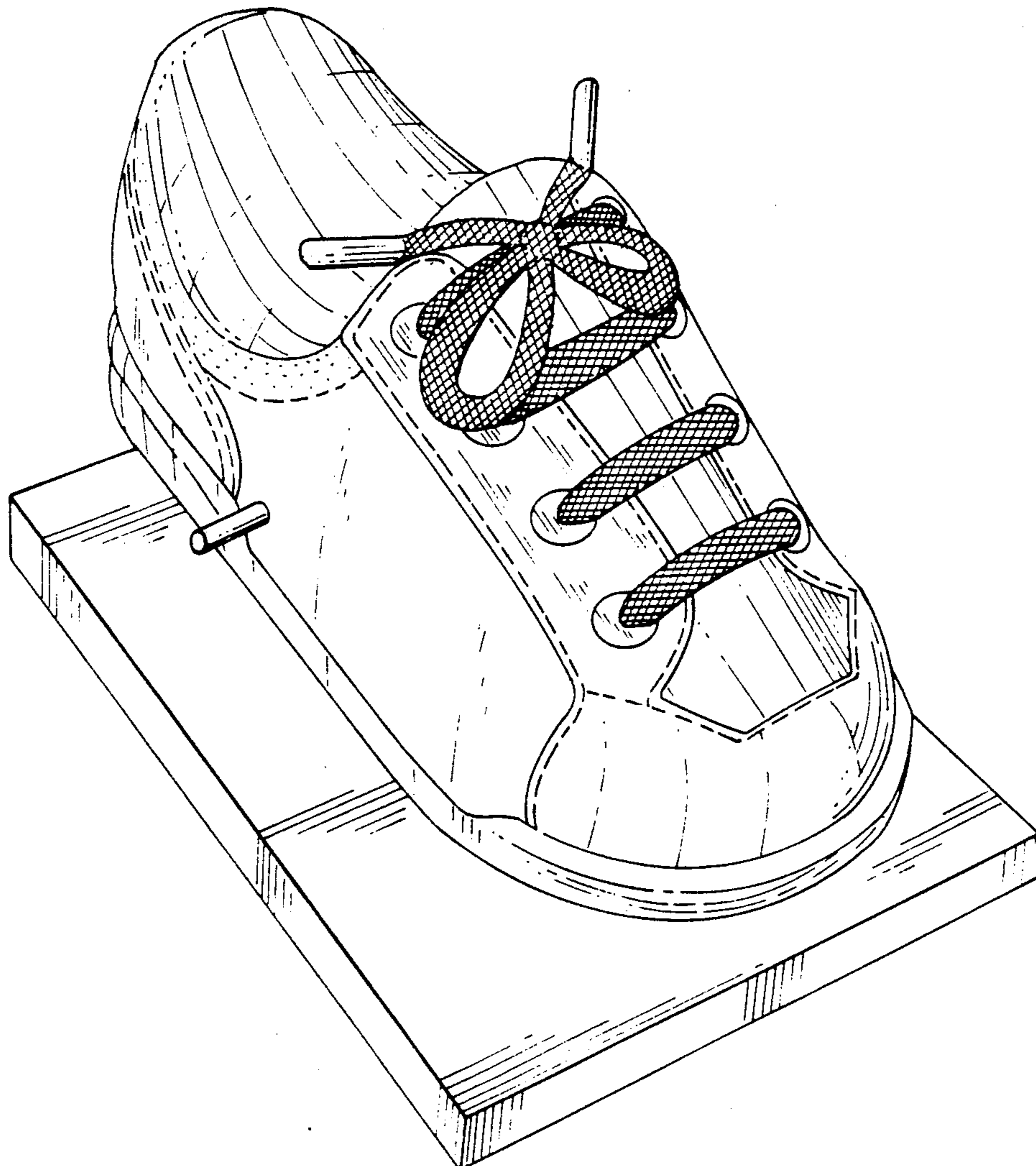
[56] References Cited

DESCRIPTION

U.S. PATENT DOCUMENTS

D. 195,308	5/1963	Braun	D21/247 X
D. 201,027	5/1965	Maher	D21/247 X
D. 204,768	5/1966	Bayer	D21/247
D. 236,362	8/1975	Reeves	D21/247 X
D. 267,441	1/1983	Claruit	D2/278
D. 279,620	7/1985	Ueda	D2/310
D. 295,269	4/1988	Allgood, II	D11/157

FIG. 1 is a perspective view of an amusement ride of the present invention;
FIG. 2 is a front elevational view thereof;
FIG. 3 is a rear elevational view thereof;
FIG. 4 is a right-side elevational view thereof;
FIG. 5 is a left-side elevational view thereof;
FIG. 6 is a top plan view thereof; and
FIG. 7 is a bottom plan view thereof.



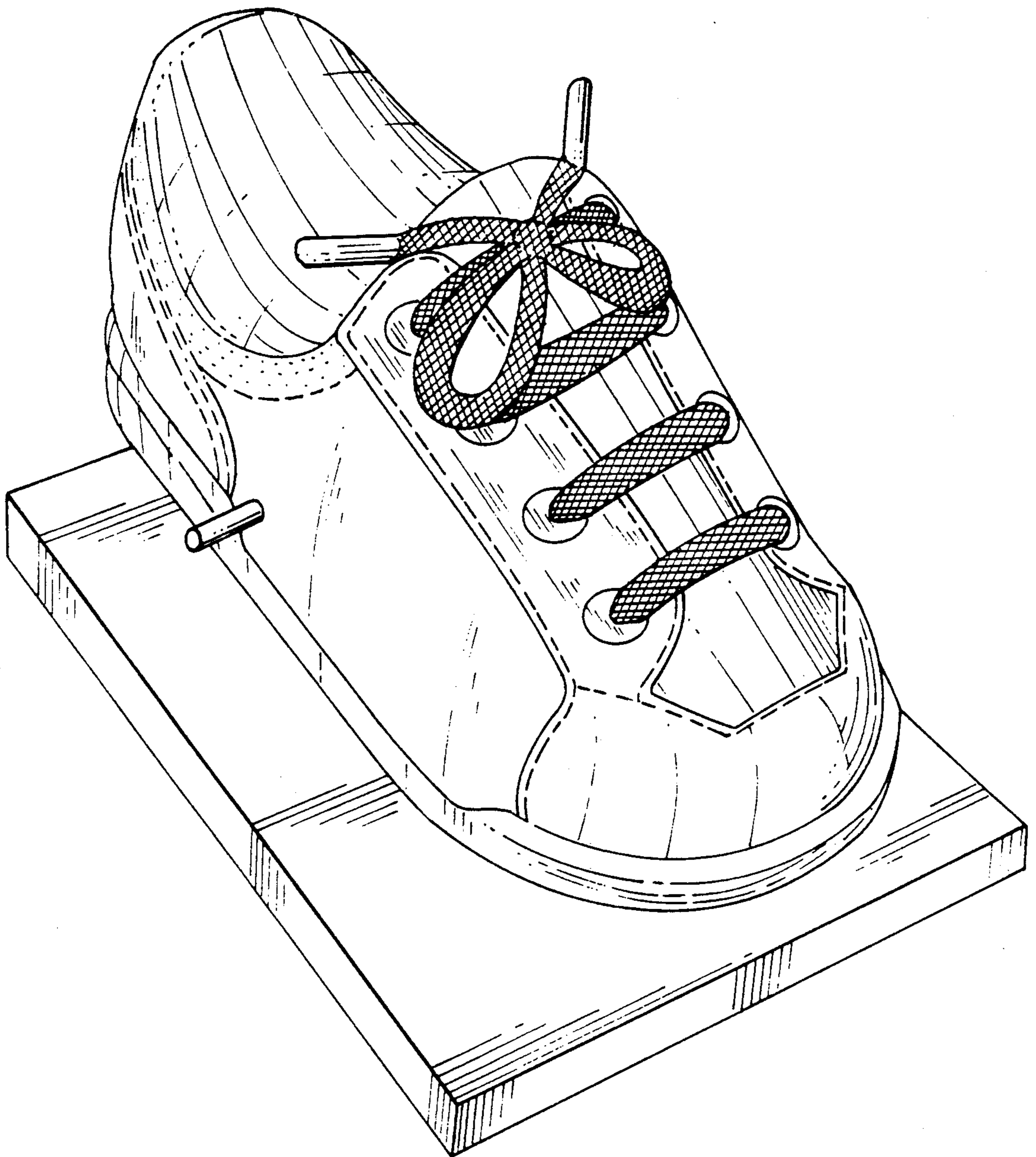


FIG. 1

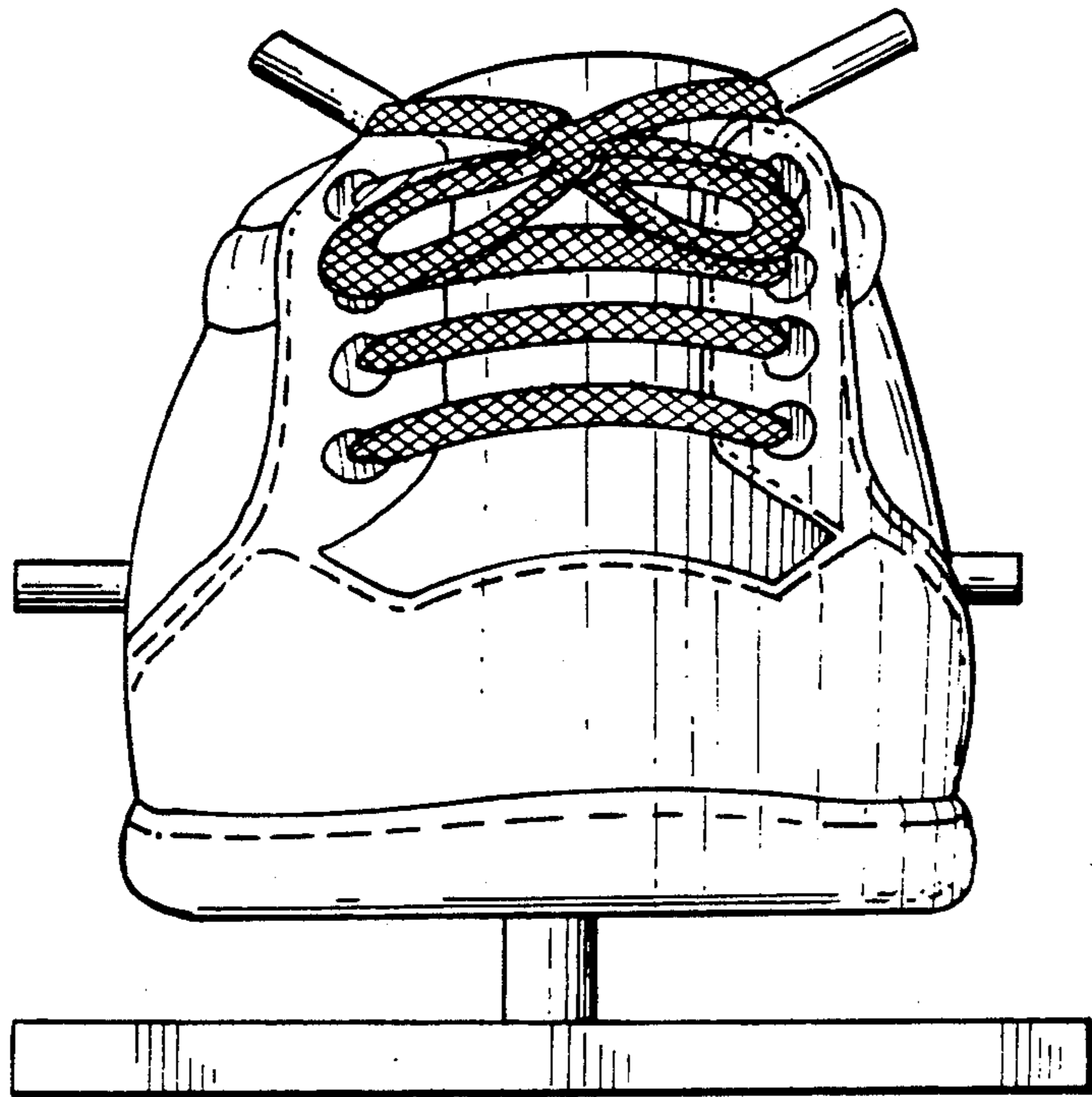


FIG. 2

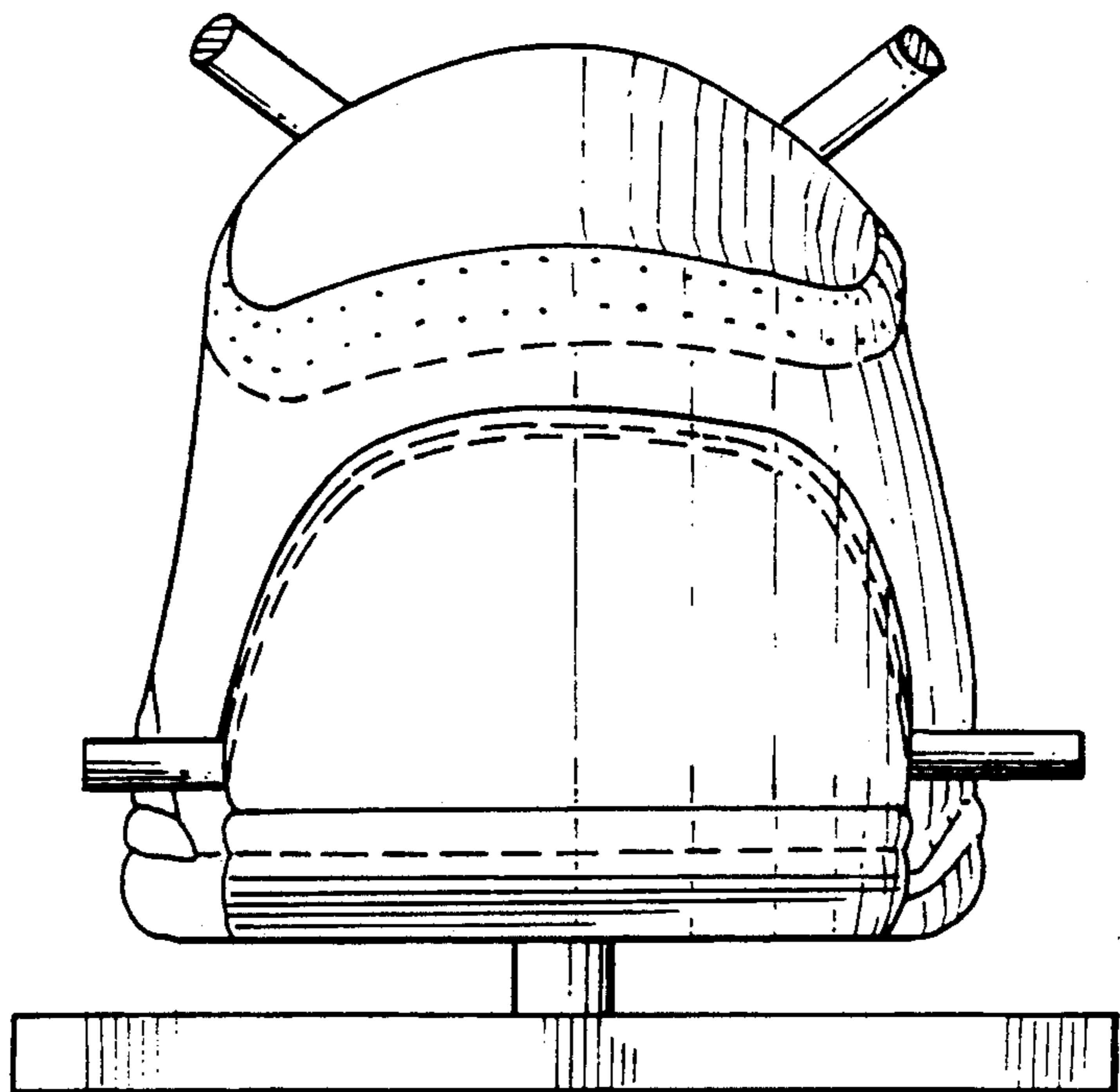


FIG. 3

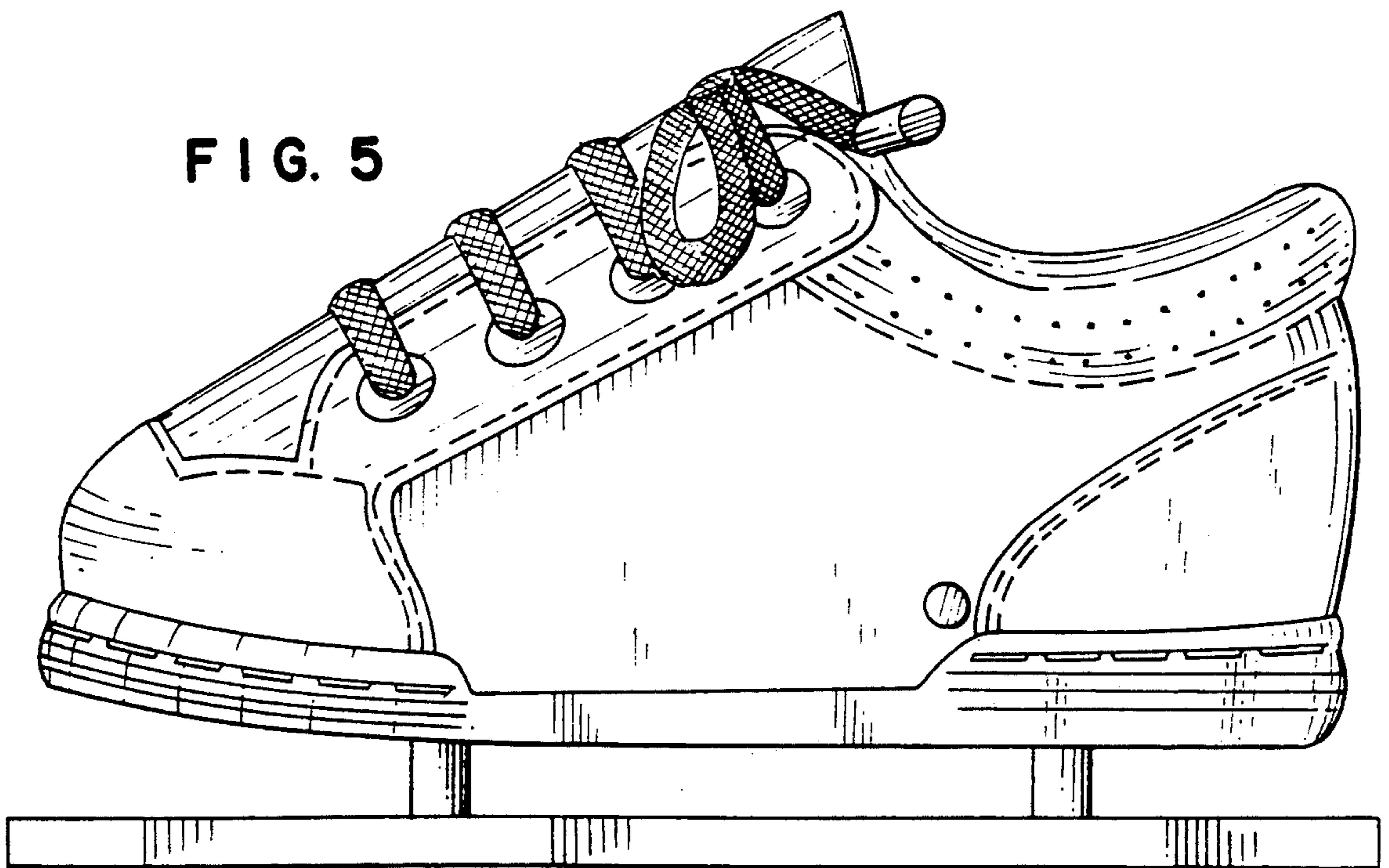
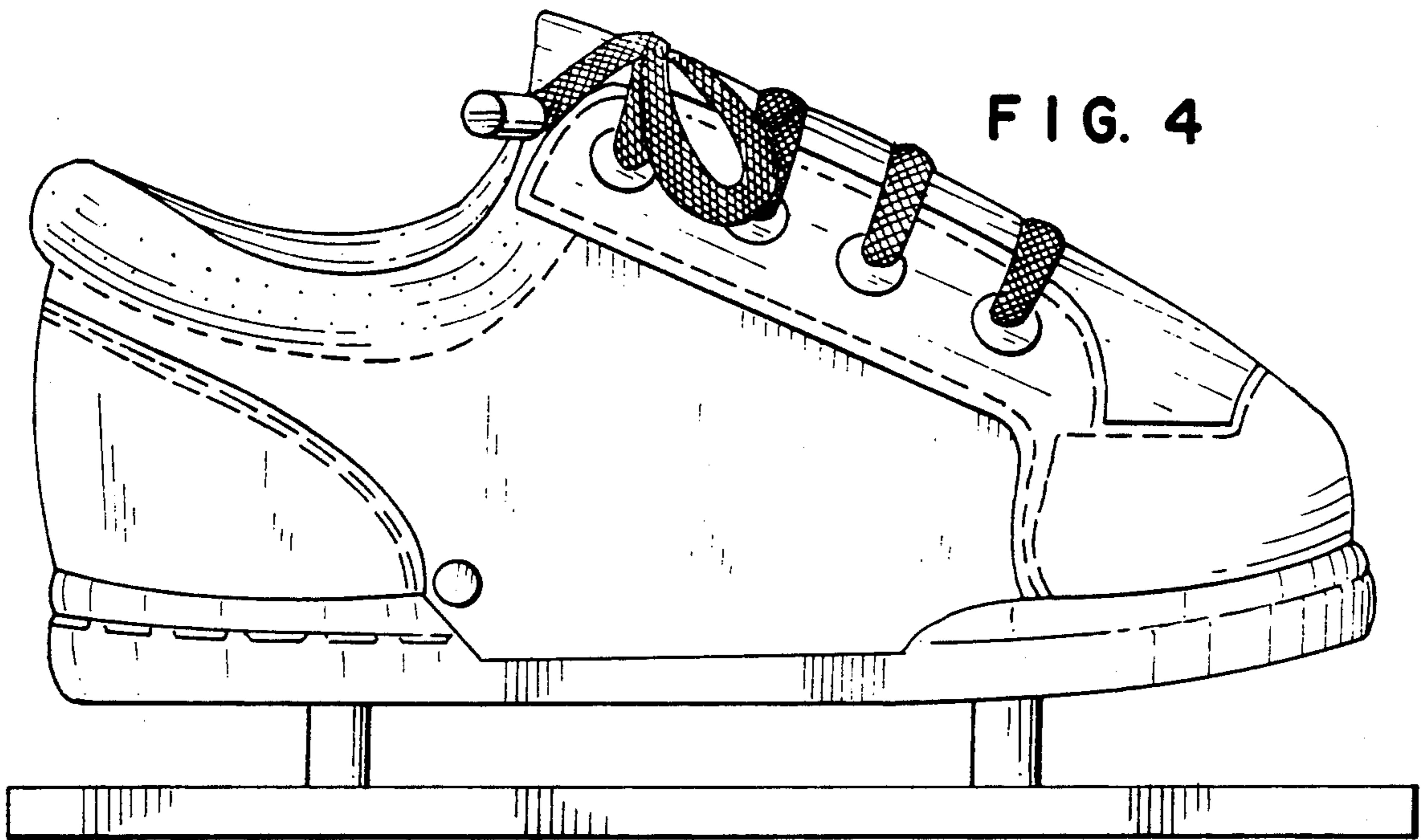


FIG. 6

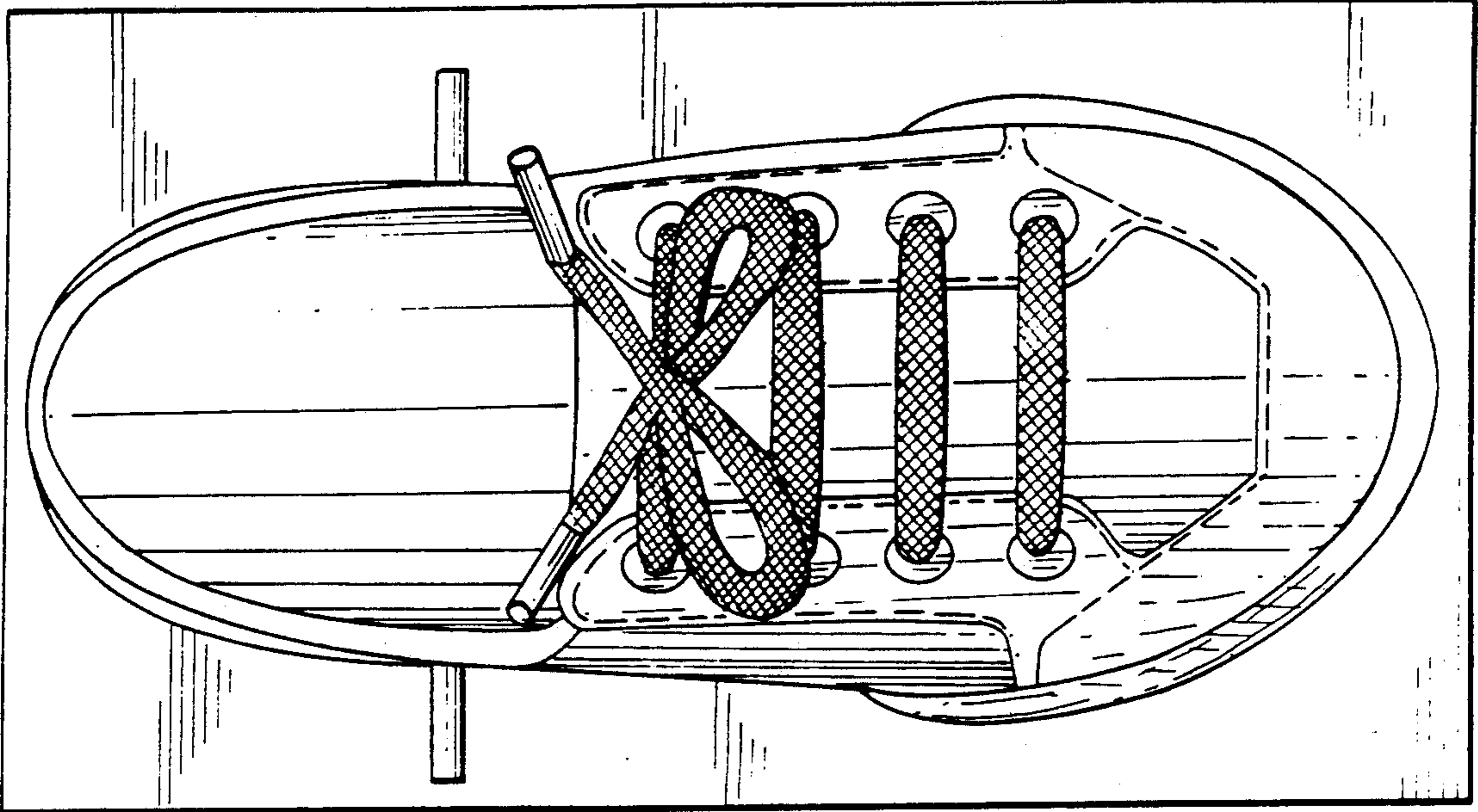


FIG. 7

