

[54] **CUE TIP TAPPER AND SHAPER**

[76] **Inventor: Michael L. Roberts, 360 Gloria, Shreveport, La. 71105**

[**] **Term: 14 Years**

[21] **Appl. No.: 332,949**

[22] **Filed: Apr. 4, 1989**

[52] **U.S. Cl. D21/232**

[58] **Field of Search D21/232; 273/17, 18, 273/19, 20, 21; D8/19**

[56] **References Cited**

U.S. PATENT DOCUMENTS

D. 256,265	8/1980	Diluzio et al.	D21/232
5,722	3/1822	Bradley	273/18
284,548	9/1883	Gwyn .	
422,204	2/1890	Gold .	
574,374	1/1897	Balsley .	
636,199	10/1899	Davies	273/17
1,005,018	10/1911	Gaiser .	
1,021,128	3/1912	Brecker .	
1,248,015	11/1917	Ross .	
1,259,136	3/1918	Rogers .	
1,297,041	3/1919	Treiber .	

1,534,975	4/1925	Lindfors .	
2,577,995	12/1951	Bozarth .	
3,254,630	6/1966	Tufan .	
3,728,828	4/1973	Freedman	273/17 X
3,989,079	11/1976	Treadway .	
4,594,782	6/1986	Willard .	
4,785,586	11/1988	Kratfel	273/17 X

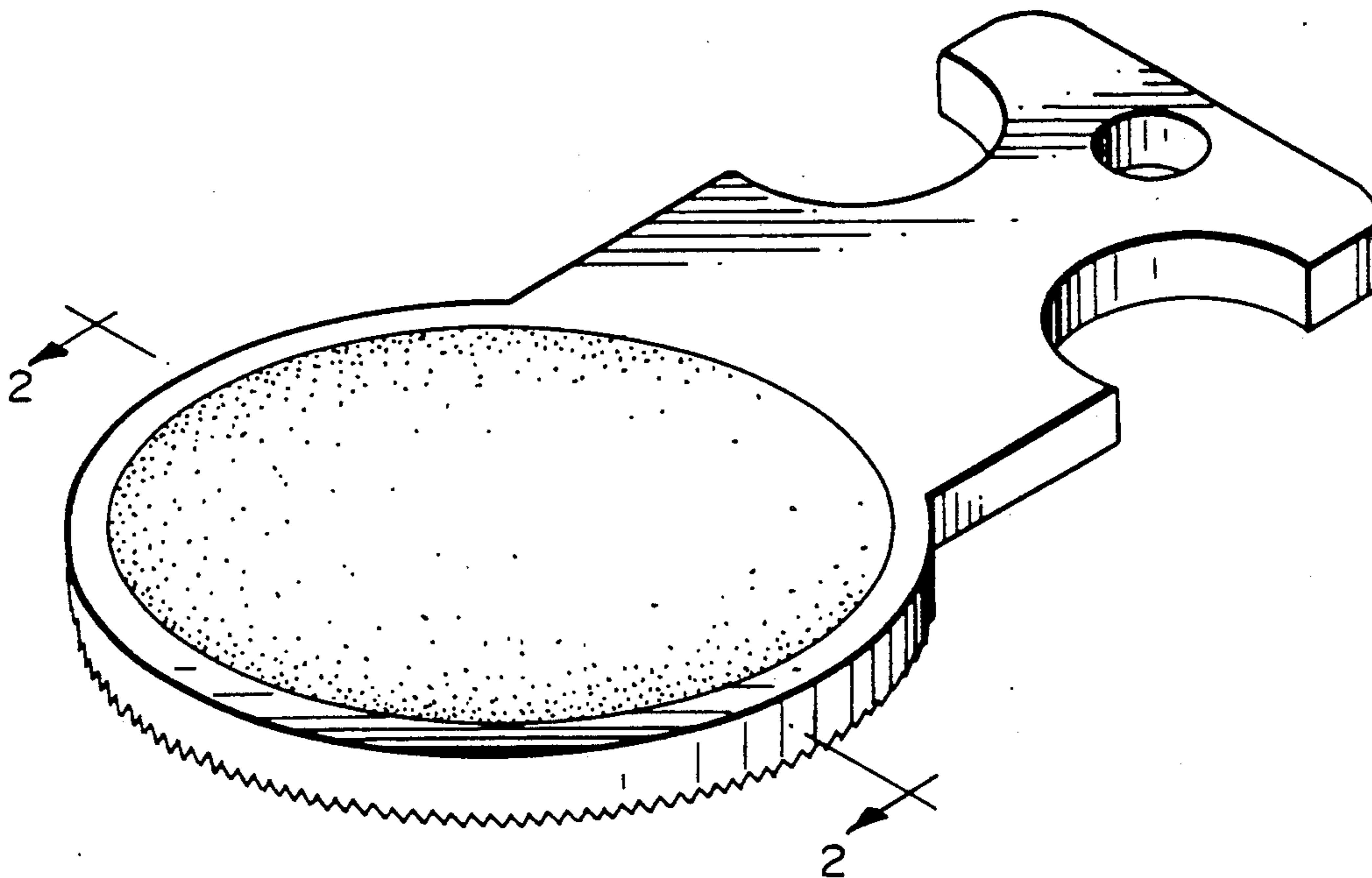
Primary Examiner—Bernard Ansher
Assistant Examiner—Prabhakar Deshmukh
Attorney, Agent, or Firm—Nixon & Vanderhye

[57] **CLAIM**

The ornamental design for a cue tip tapper and shaper, as shown and described.

DESCRIPTION

FIG. 1 is a perspective view of a cue tip tapper and shaper showing my new design;
 FIG. 2 is a sectional elevation taken along line 2—2 of FIG. 1;
 FIG. 3 is a rear elevation thereof;
 FIG. 4 is a top plan view thereof;
 FIG. 5 is a front elevation thereof;
 FIG. 6 is a bottom plan view thereof;
 FIG. 7 is a left side elevation thereof; and
 FIG. 8 is a right side elevation thereof.



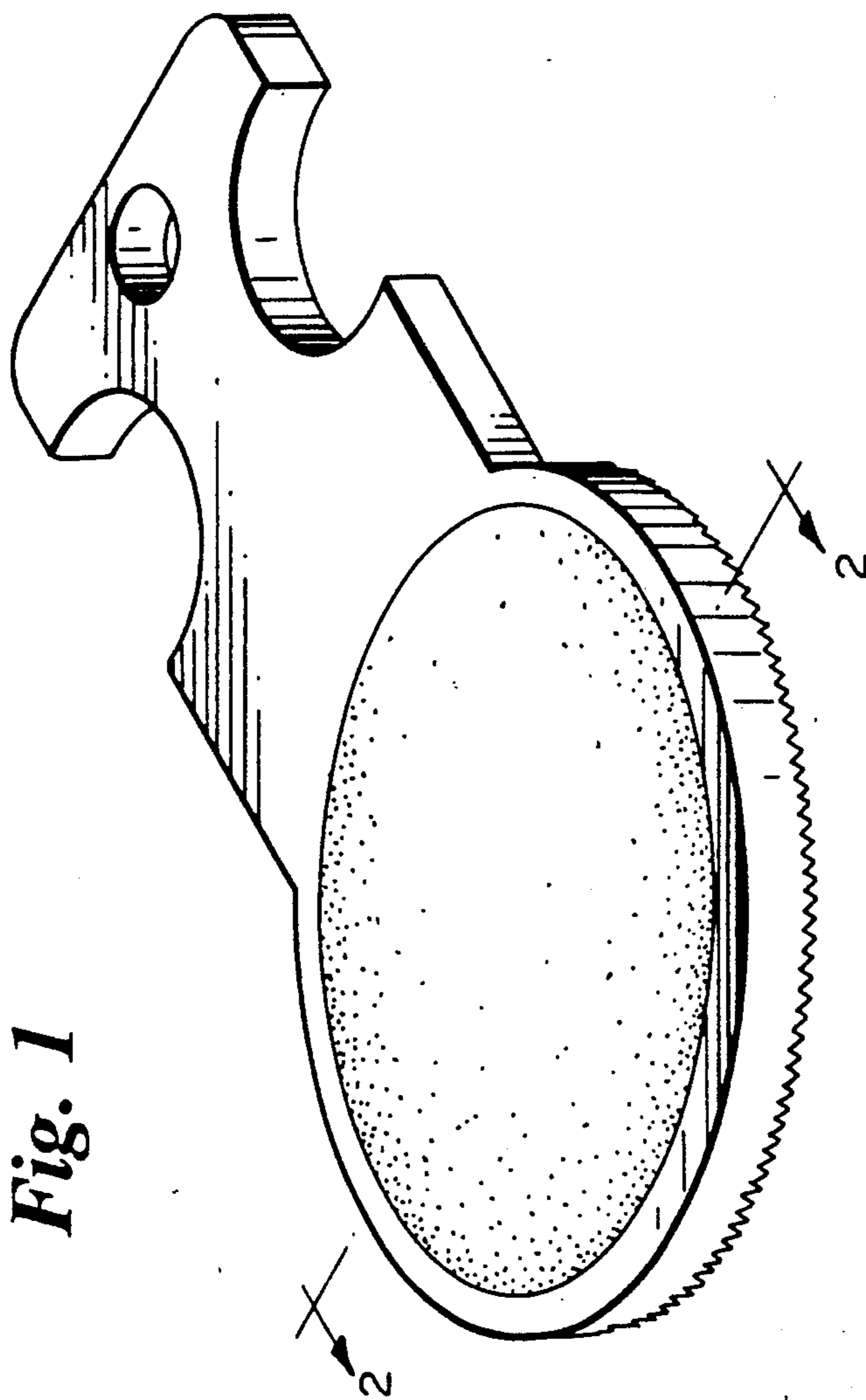


Fig. 1



Fig. 2

Fig. 3



Fig. 7

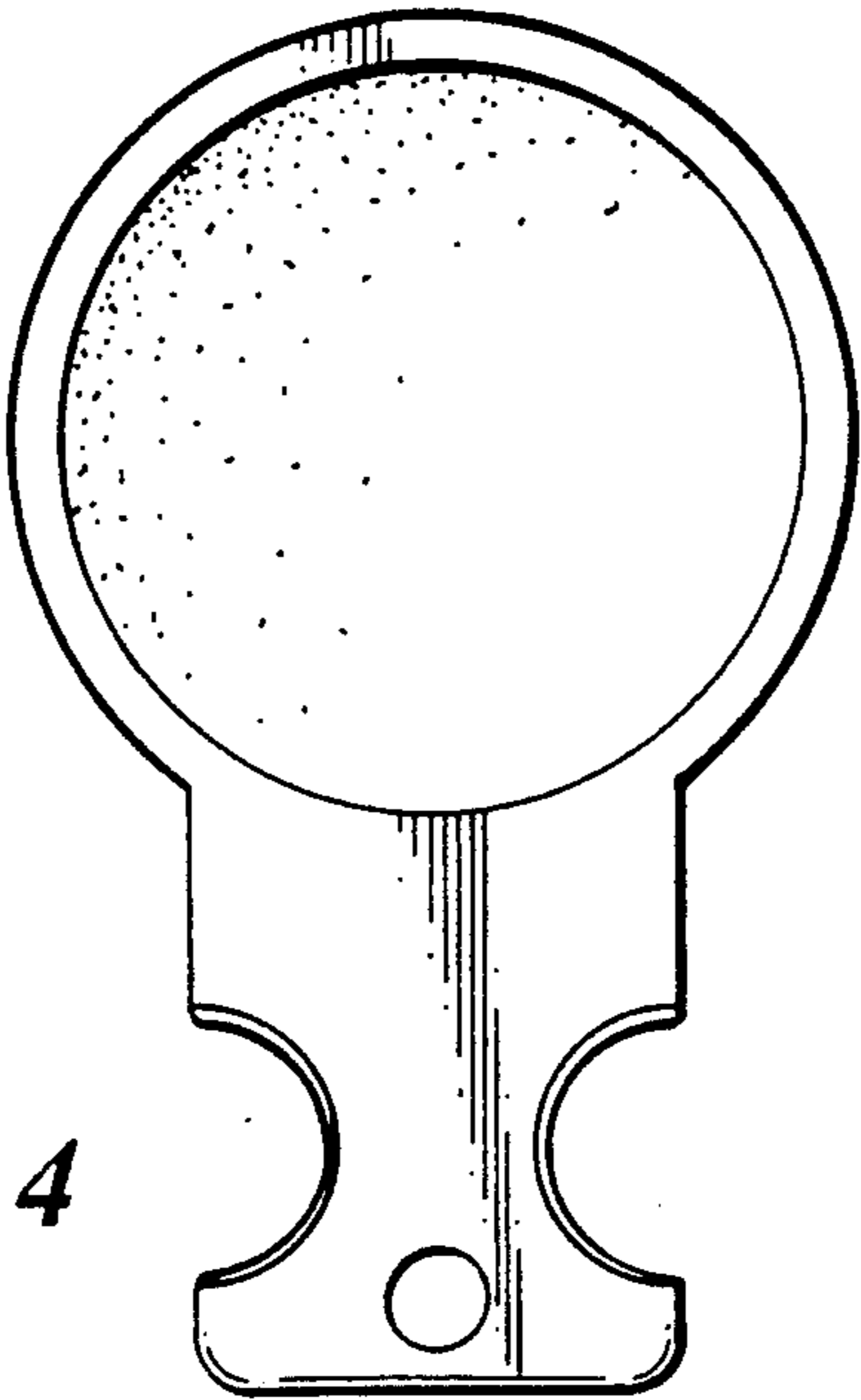


Fig. 4



Fig. 8

Fig. 5

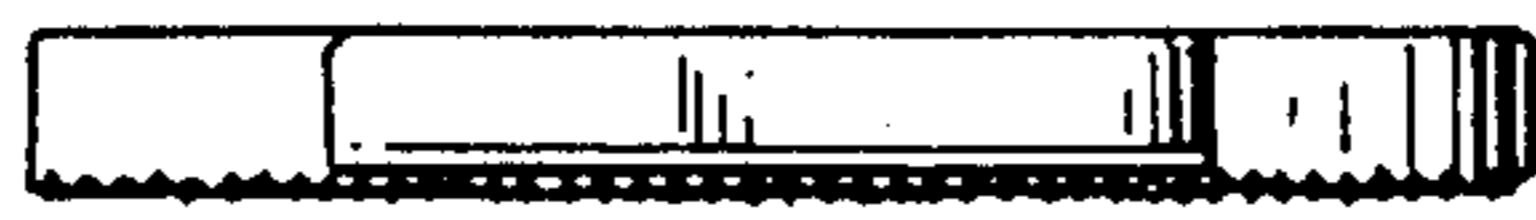


Fig. 6

