

[54] LIGHTNING BUG WHEELED PUSH TOY

[75] Inventor: Ronald R. Klawitter, Berger, Mo.

[73] Assignee: Handi-Pac, Inc., Hermann, Mo.

[\*\*] Term: 14 Years

[21] Appl. No.: 340,591

[22] Filed: Apr. 20, 1989

[52] U.S. Cl. .... D21/185

[58] Field of Search ..... D21/185, 148; 446/278, 446/276, 285, 293, 294

[56] References Cited

U.S. PATENT DOCUMENTS

- D. 179,978 4/1957 McDermott ..... D21/185
- D. 216,820 3/1970 Dunbar ..... D21/185

- D. 278,736 5/1985 Klawitter ..... D21/185
- 1,803,197 4/1931 Marie ..... 446/294

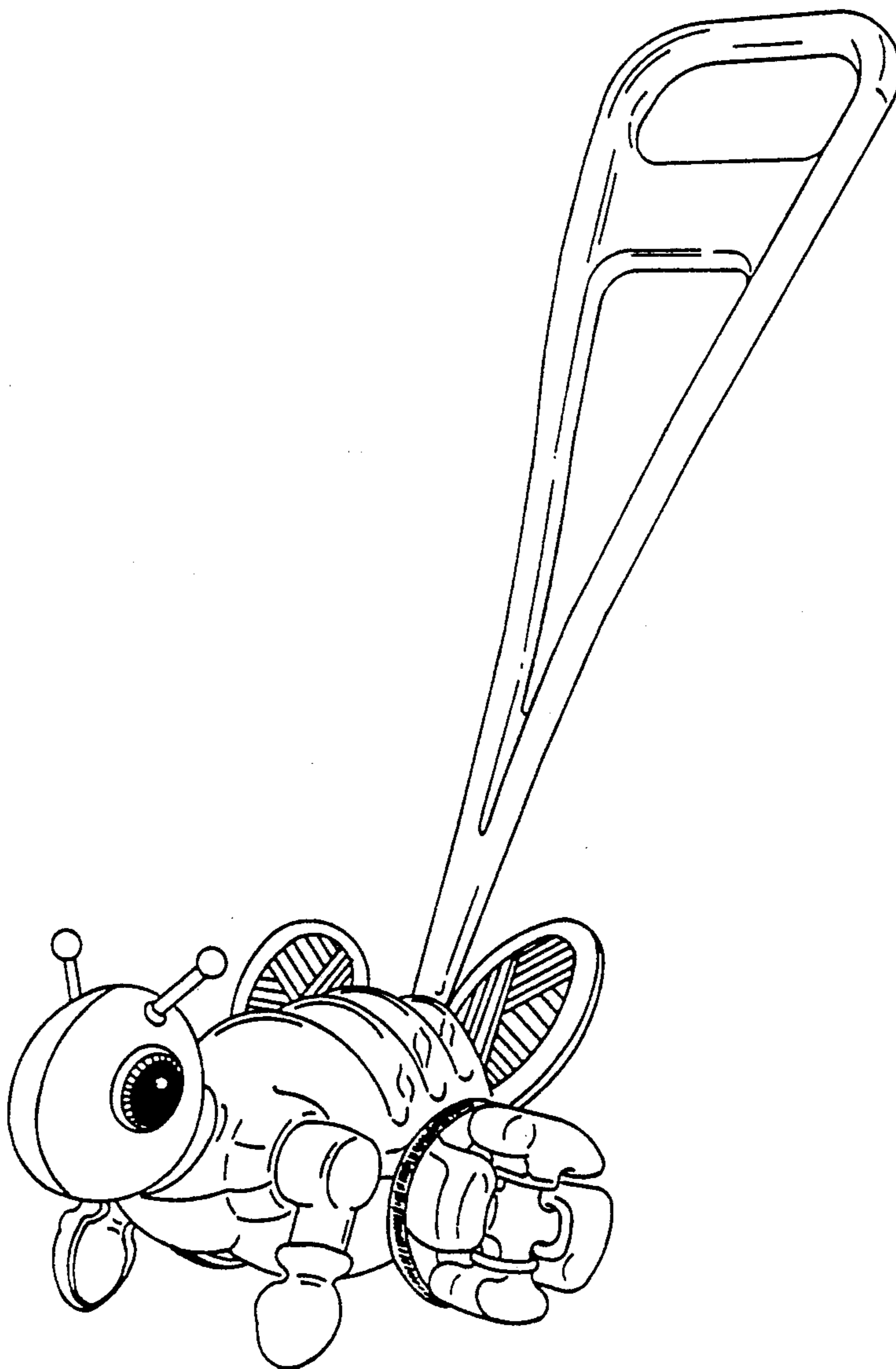
Primary Examiner—Melvin B. Feifer  
Attorney, Agent, or Firm—Polster, Polster and Lucchesi

[57] CLAIM

The ornamental design for lightning bug wheeled push toy, as shown and described.

DESCRIPTION

FIG. 1 is view in perspective of a lightning bug wheeled push toy showing my new design;  
 FIG. 2 is a top plan view;  
 FIG. 3 is a view in side elevation, the other side being a mirror image thereof;  
 FIG. 4 is a bottom plan view;  
 FIG. 5 is a view in front elevation; and  
 FIG. 6 is a view in rear elevation.



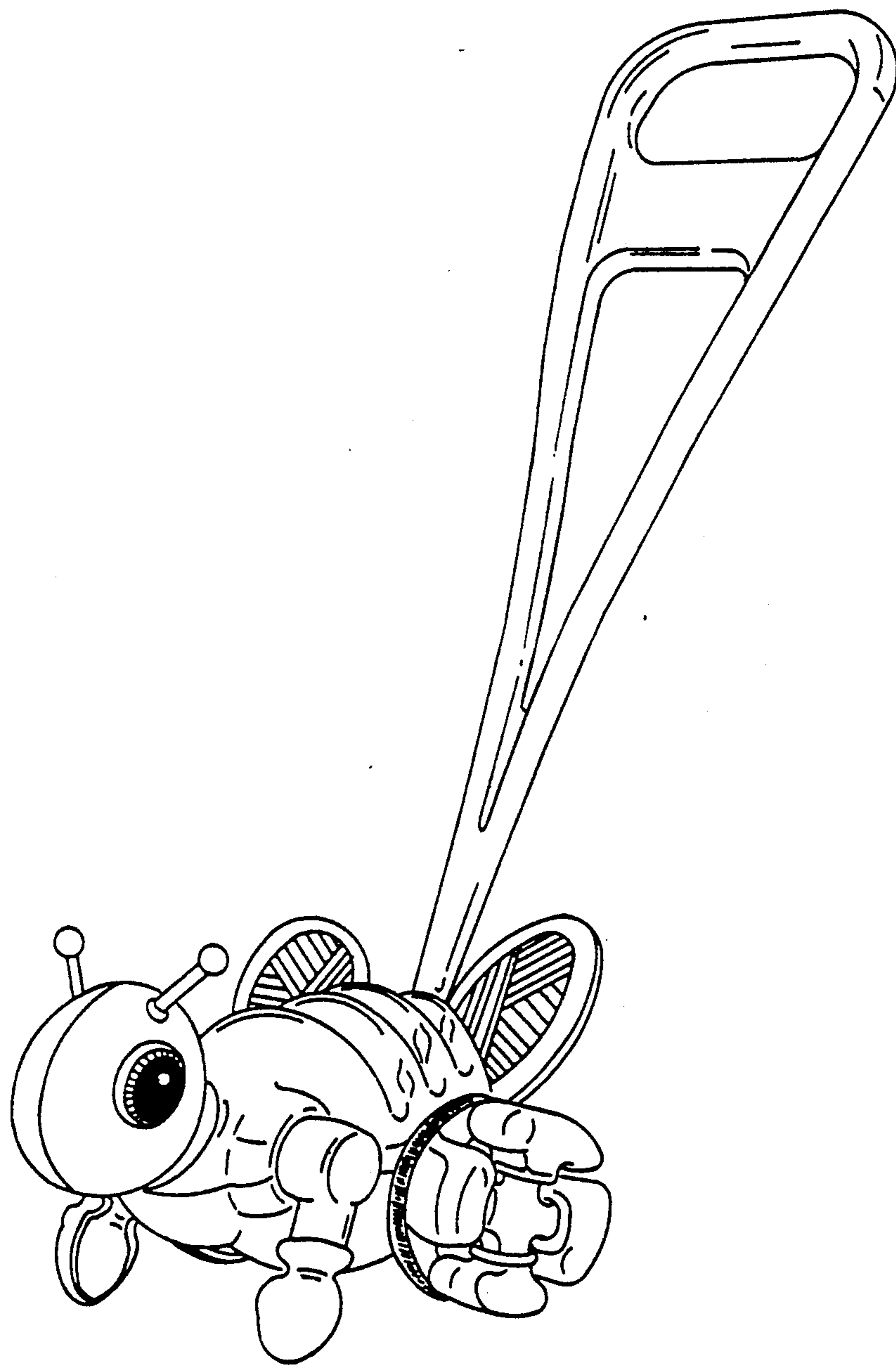


FIG. 1.

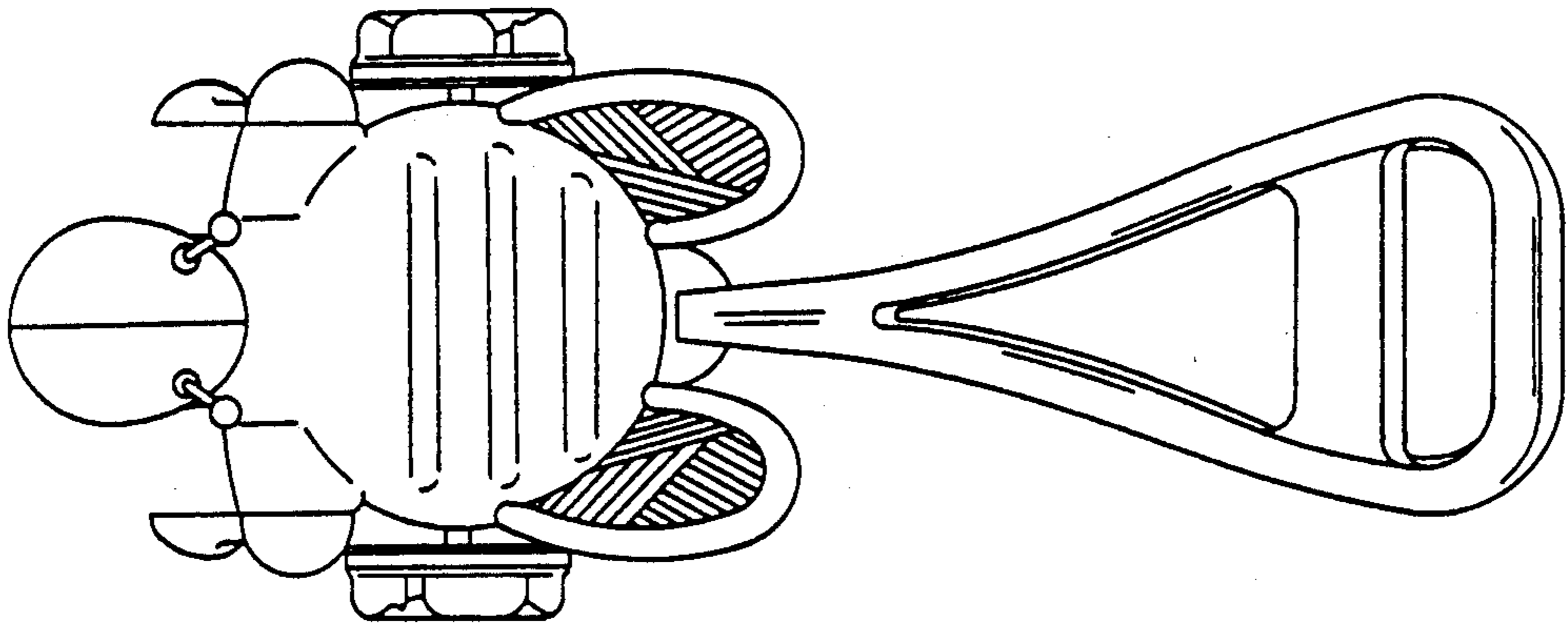


FIG. 2.

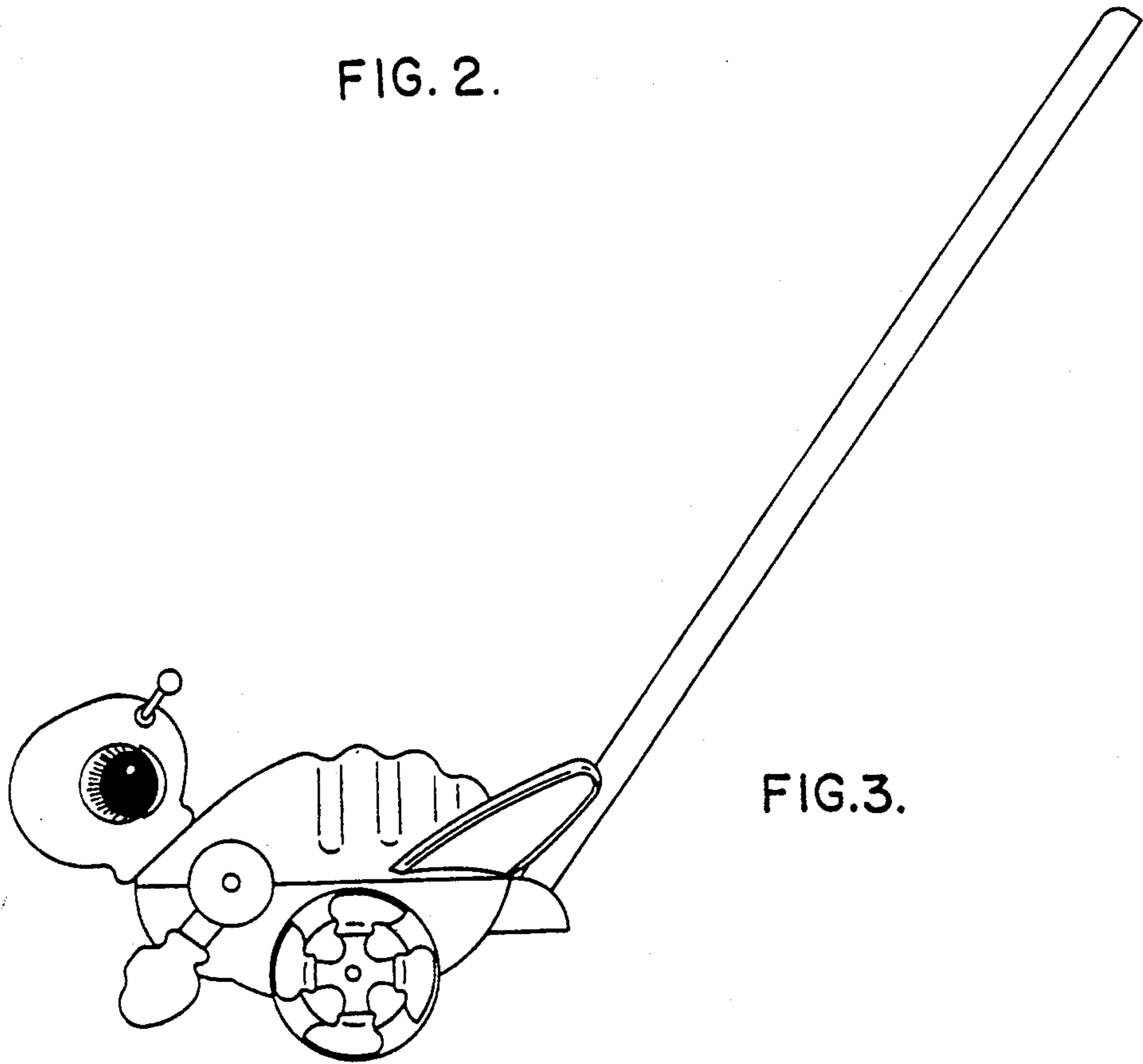


FIG. 3.

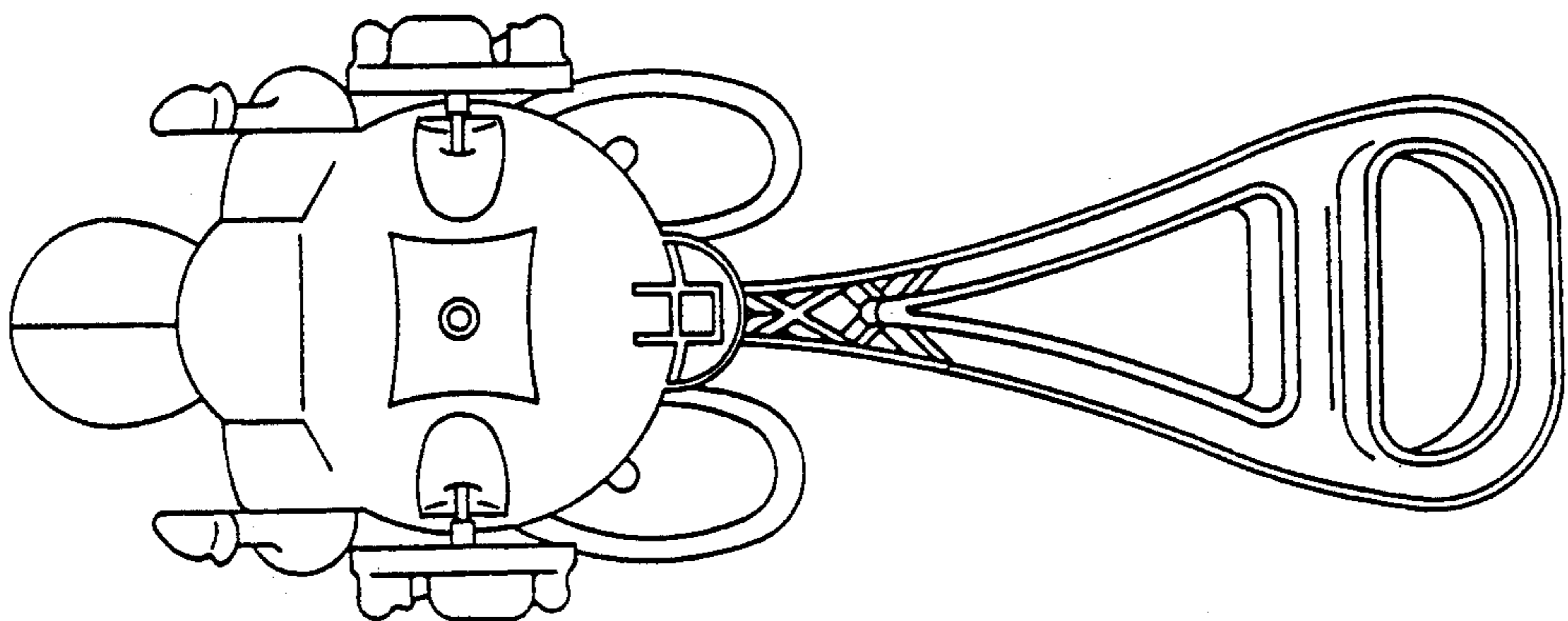


FIG. 4.

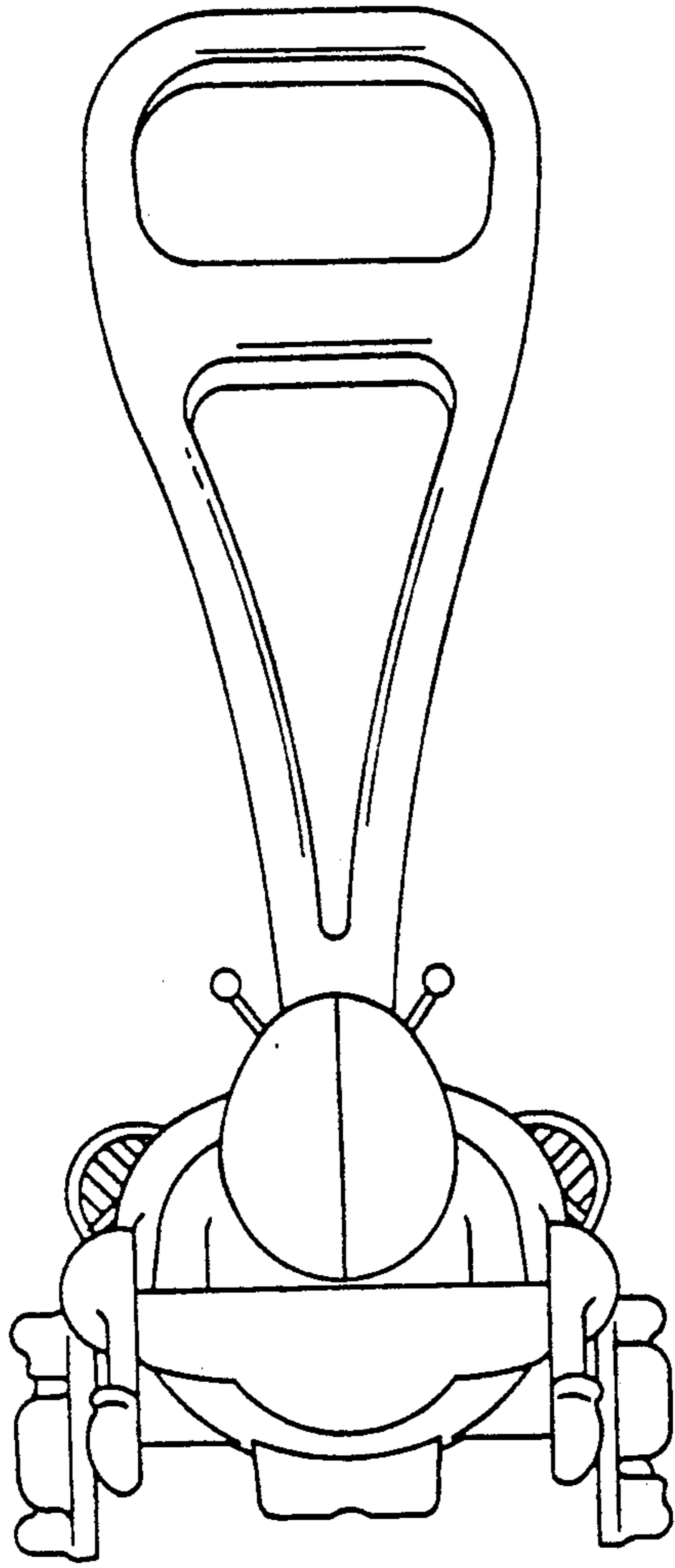


FIG. 5.

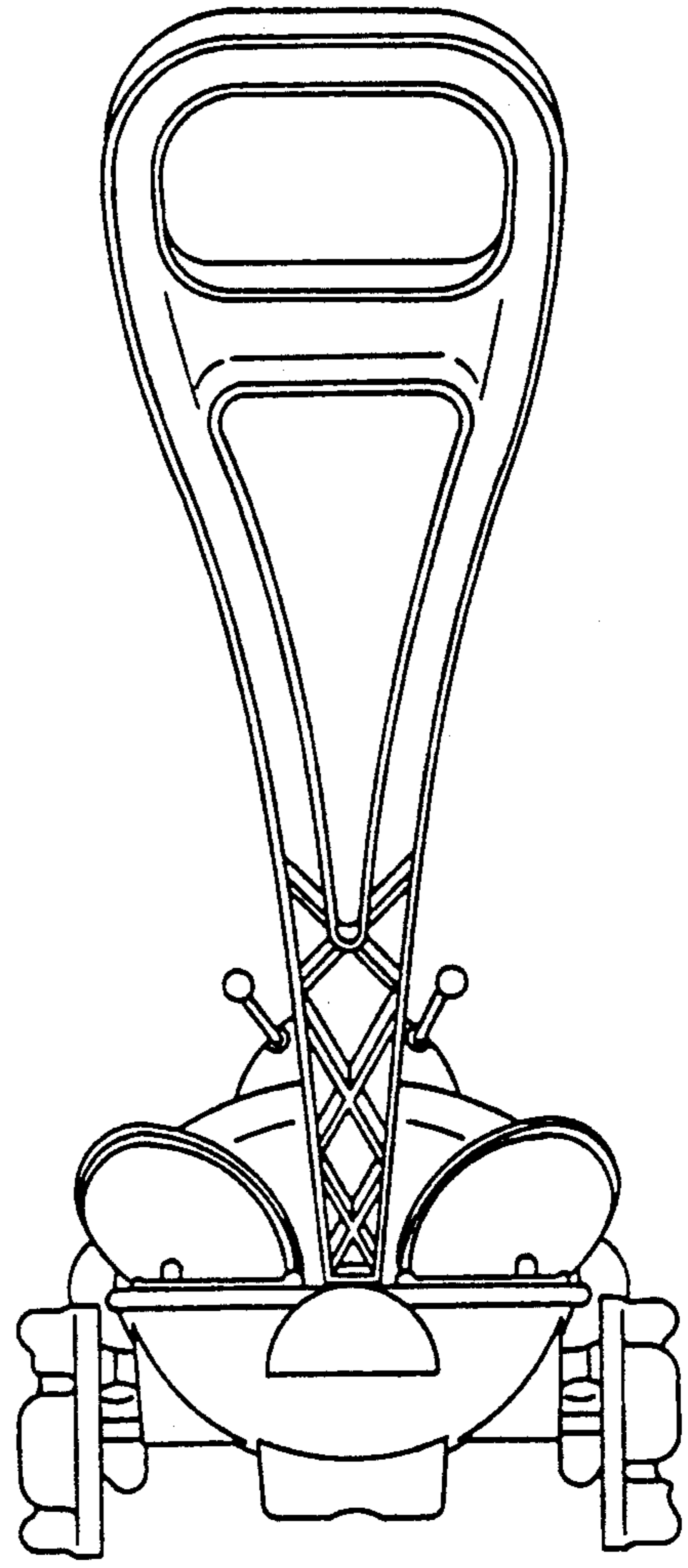


FIG. 6.