

[54] **VERTICAL FILE**

[76] **Inventor: Elmo D. Clinehens, 13149 Roosevelt Rd., Mishawaka, Ind. 46544**

[**] **Term: 14 Years**

[21] **Appl. No.: 160,503**

[22] **Filed: Feb. 25, 1988**

[52] **U.S. Cl. D19/90; D9/75; D9/86; D9/91**

[58] **Field of Search D19/65, 75, 78, 86, D19/90, 91, 95, 99, 100; 40/371, 372, 377, 380; 211/10, 11, 45, 50, 70**

[56] **References Cited**

U.S. PATENT DOCUMENTS

1,130,597	3/1915	Hogg	40/377
1,588,299	6/1926	Boucher	40/377
2,383,944	9/1945	Saltz	40/377 X
2,496,490	2/1950	Phillips	40/377
2,496,491	2/1950	Phillips	40/377
2,790,443	4/1957	Wassell	40/377
3,244,289	4/1966	King	40/377 X
3,992,792	11/1976	Keller	40/377
4,049,330	9/1977	Scapp	40/377 X
4,370,821	2/1983	Eichner	40/372 X
4,453,326	6/1984	Hoffman et al.	40/377

FOREIGN PATENT DOCUMENTS

917838	9/1946	France	40/380
1316303	12/1962	France	40/377

OTHER PUBLICATIONS

B. A. Pargh Company, Inc., 1985-86 Fall/Winter Catalog, p. 53, see Spin Rite Unit, upper left.

B. A. Pargh Company, Inc., 1985-86 Fall/Winter Catalog, p. 53, see 5 Compartment Minifile, lower left.

Primary Examiner—Bruce W. Dunkins

Assistant Examiner—Martha Thompson

Attorney, Agent, or Firm—James D. Hall

[57] **CLAIM**

The ornamental design for a vertical file, as shown and described.

DESCRIPTION

FIG. 1 is a perspective view of a vertical file showing my new design;

FIG. 2 is a side elevational view, all other sides being identical;

FIG. 3 is a top plan view;

FIG. 4 is a perspective view of a second embodiment of my new design; and

FIG. 5 is a perspective view of FIG. 4 with the drawer in an extended position.

The bottom surface of the vertical file is conventionally flat and unornamented.

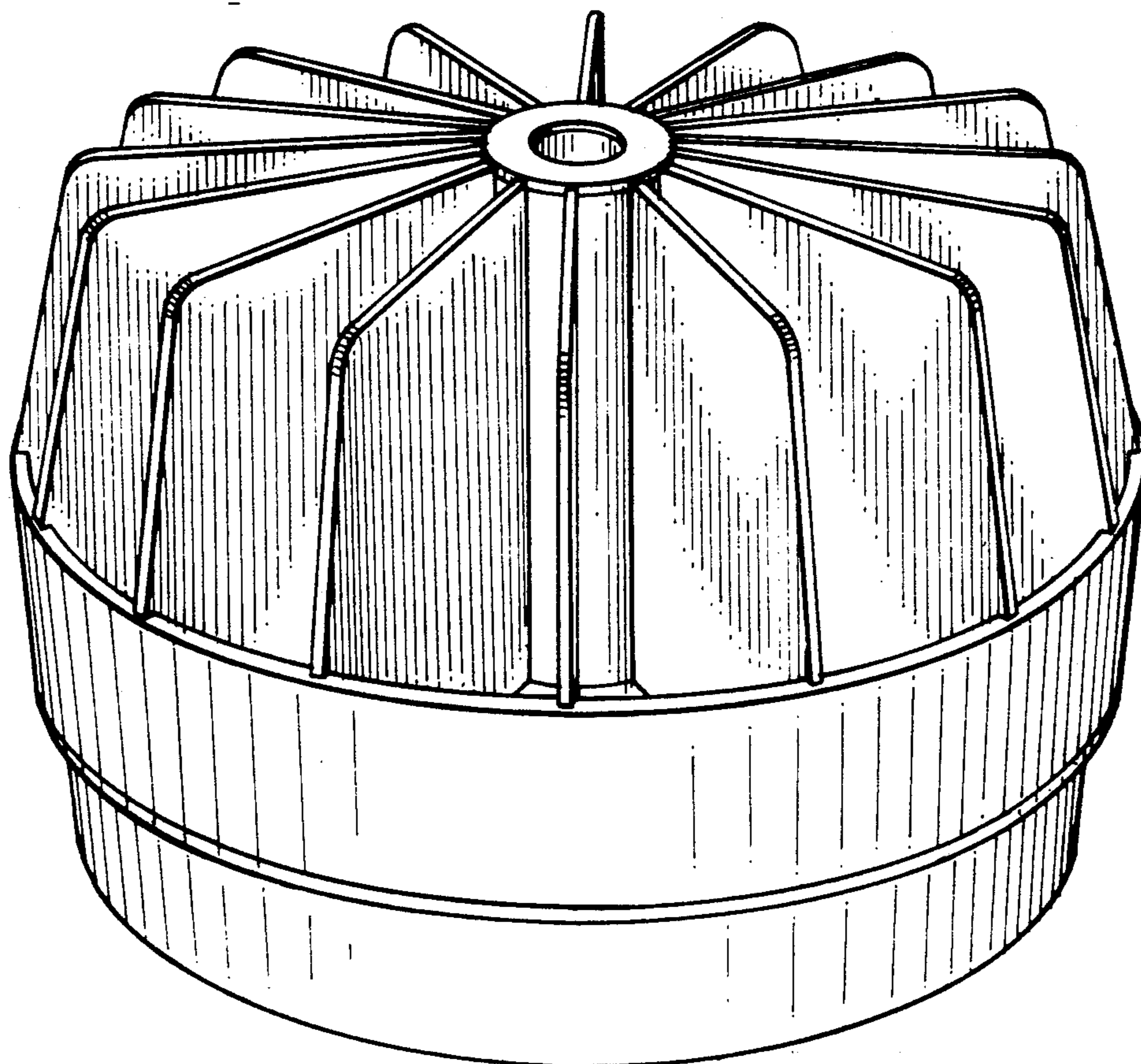


Fig. 1

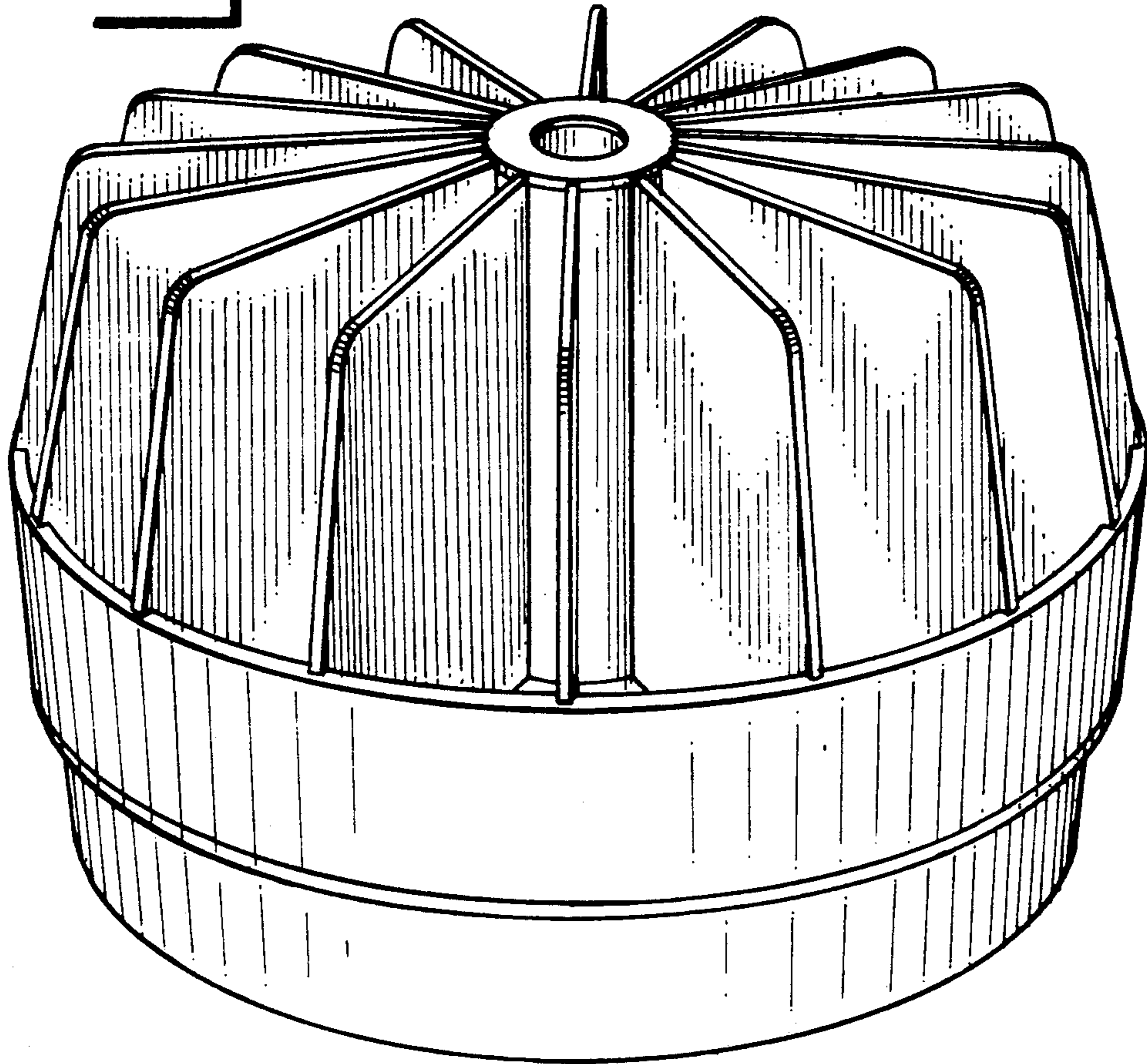


Fig. 2

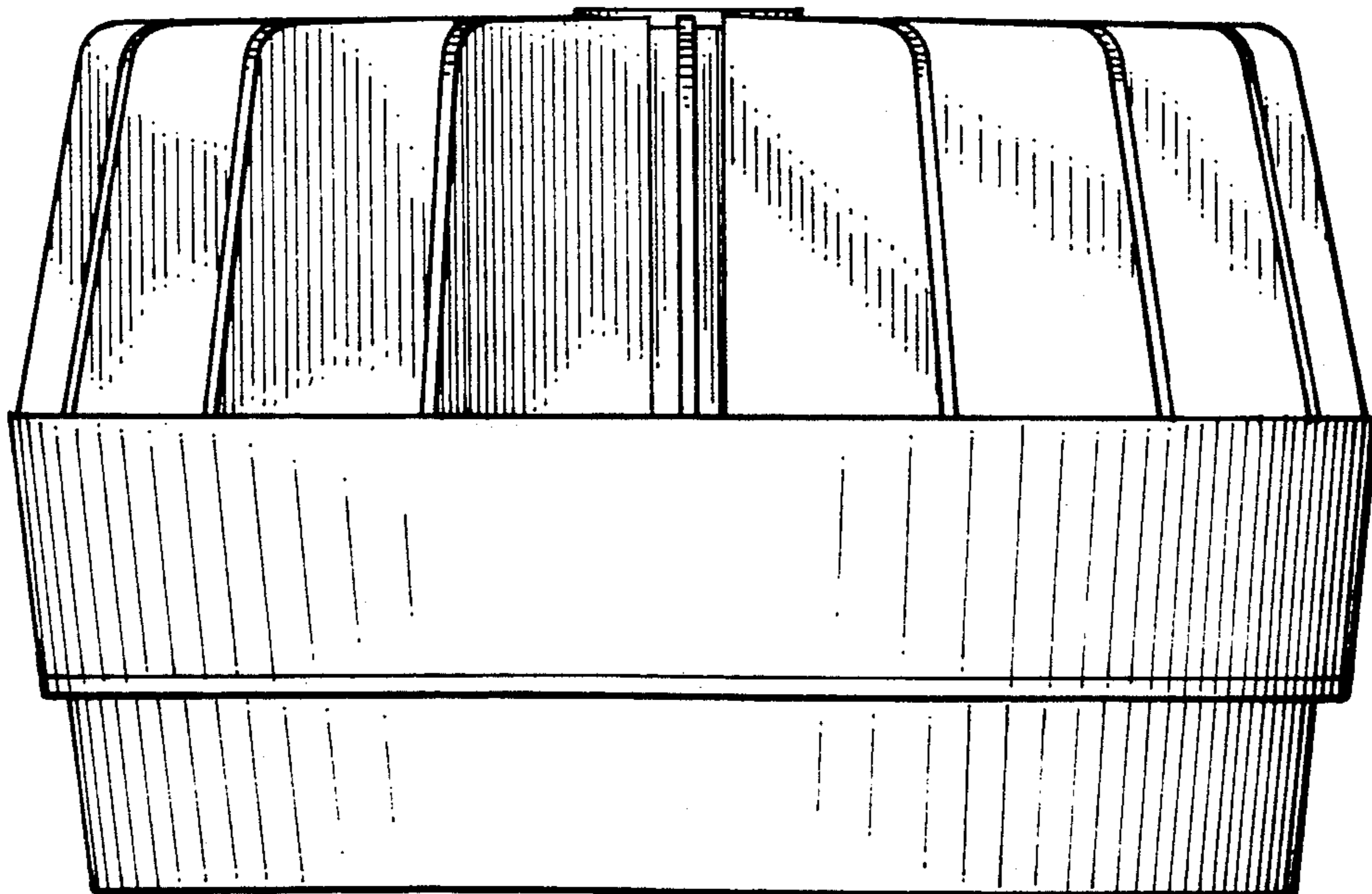


Fig. 3

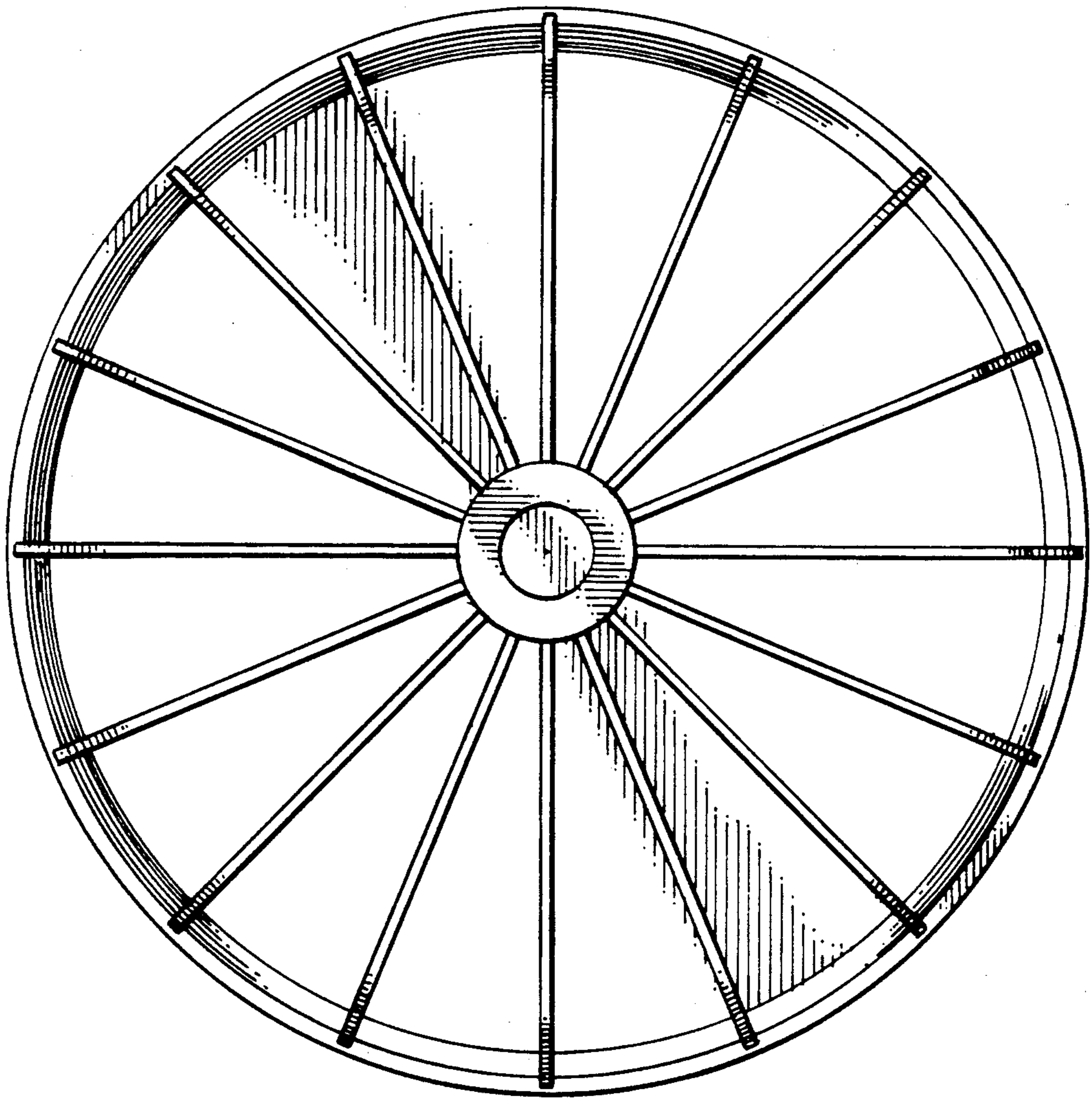


Fig. 4

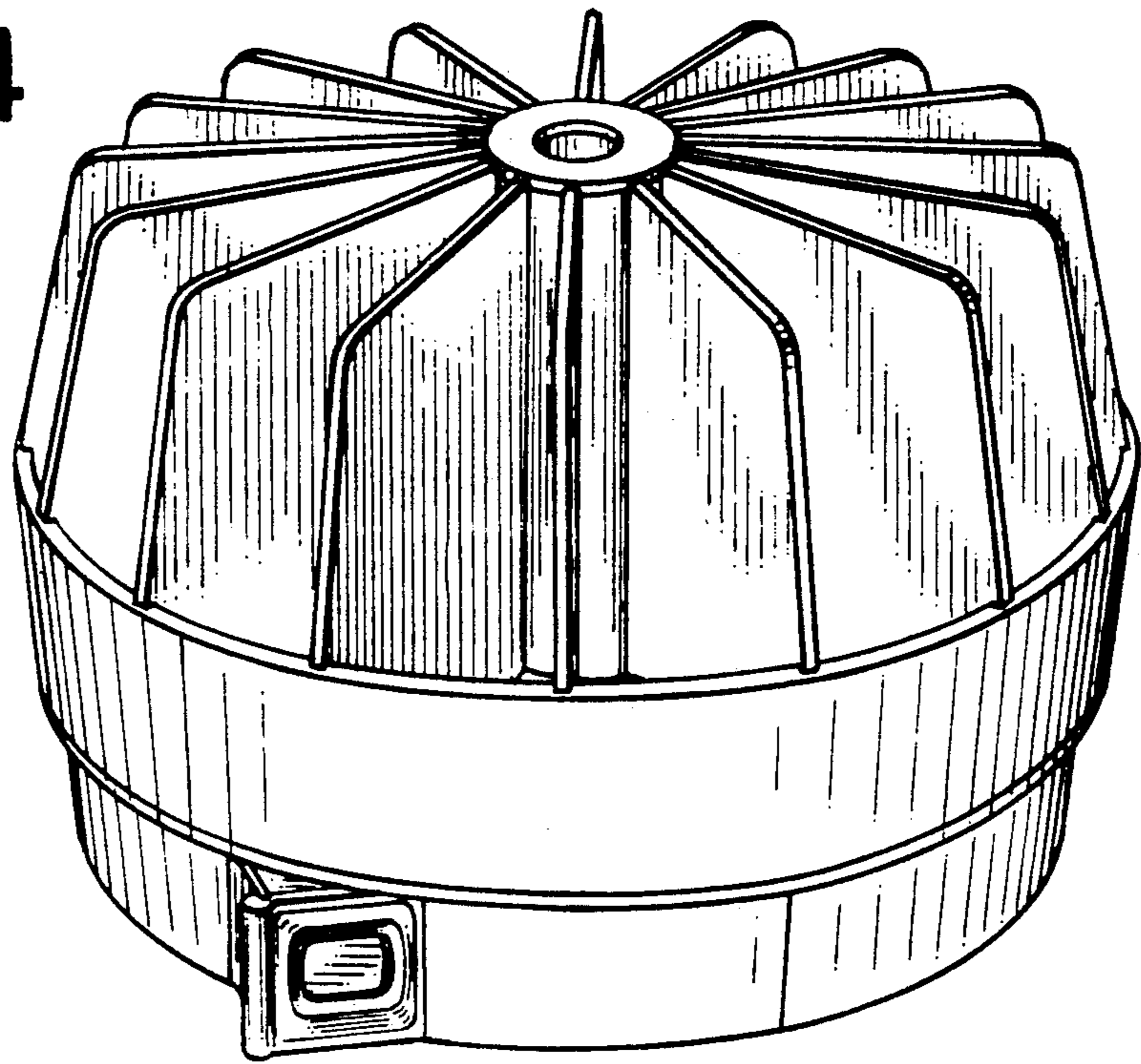


Fig. 5

