

United States Patent [19]

Miles et al.

[11] Patent Number: Des. 320,040

[45] Date of Patent: ** Sep. 17, 1991

[54] PAPER BINDING MACHINE

[75] Inventors: Alden R. Miles, Burnsville, Minn.;
Paul S. Montgomery, San Francisco,
Calif.

[73] Assignee: Minnesota Mining and
Manufacturing Company, Saint Paul,
Minn.

[**] Term: 14 Years

[21] Appl. No.: 351,722

[22] Filed: May 12, 1989

[52] U.S. Cl. D18/34

[58] Field of Search D18/34, 12, 13, 22,
D18/40, 44; D19/26, 86, 90, 91; 355/324, 308,
309, 321; 400/613.2, 624-626, 629, 691; 226/74,
196; 271/3, 145, 162-164, 207-208, 220,
223-224; D6/406, 419, 420; D8/102; D13/162,
170; 412/8, 16, 33, 34, 40, 37, 902; 156/908

[56] References Cited

U.S. PATENT DOCUMENTS

D. 233,559	11/1974	Estes	D18/34
D. 267,018	11/1982	Balmer	D18/34
D. 296,566	7/1988	Hori	D18/34
2,752,619	7/1956	Hodge	412/37

3,261,044	7/1966	Hoff	412/37
3,715,260	2/1973	Dornemann et al.	156/908
3,879,783	4/1975	Giulie	D18/34
3,911,517	10/1975	Davis	156/908
4,518,296	5/1985	Pearson et al.	412/37
4,986,713	1/1991	Zoltner et al.	412/8

FOREIGN PATENT DOCUMENTS

3702529 6/1988 Fed. Rep. of Germany 412/8

Primary Examiner—A. Hugo Word

Assistant Examiner—Cathy Anne MacCormac

Attorney, Agent, or Firm—Donald M. Sell; Walter N.

Kirn; William L. Huebsch

[57] CLAIM

The ornamental design for a paper binding machine, as shown and described.

DESCRIPTION

FIG. 1 is a perspective view taken from the top, front and right side of a paper binding machine showing our new design;

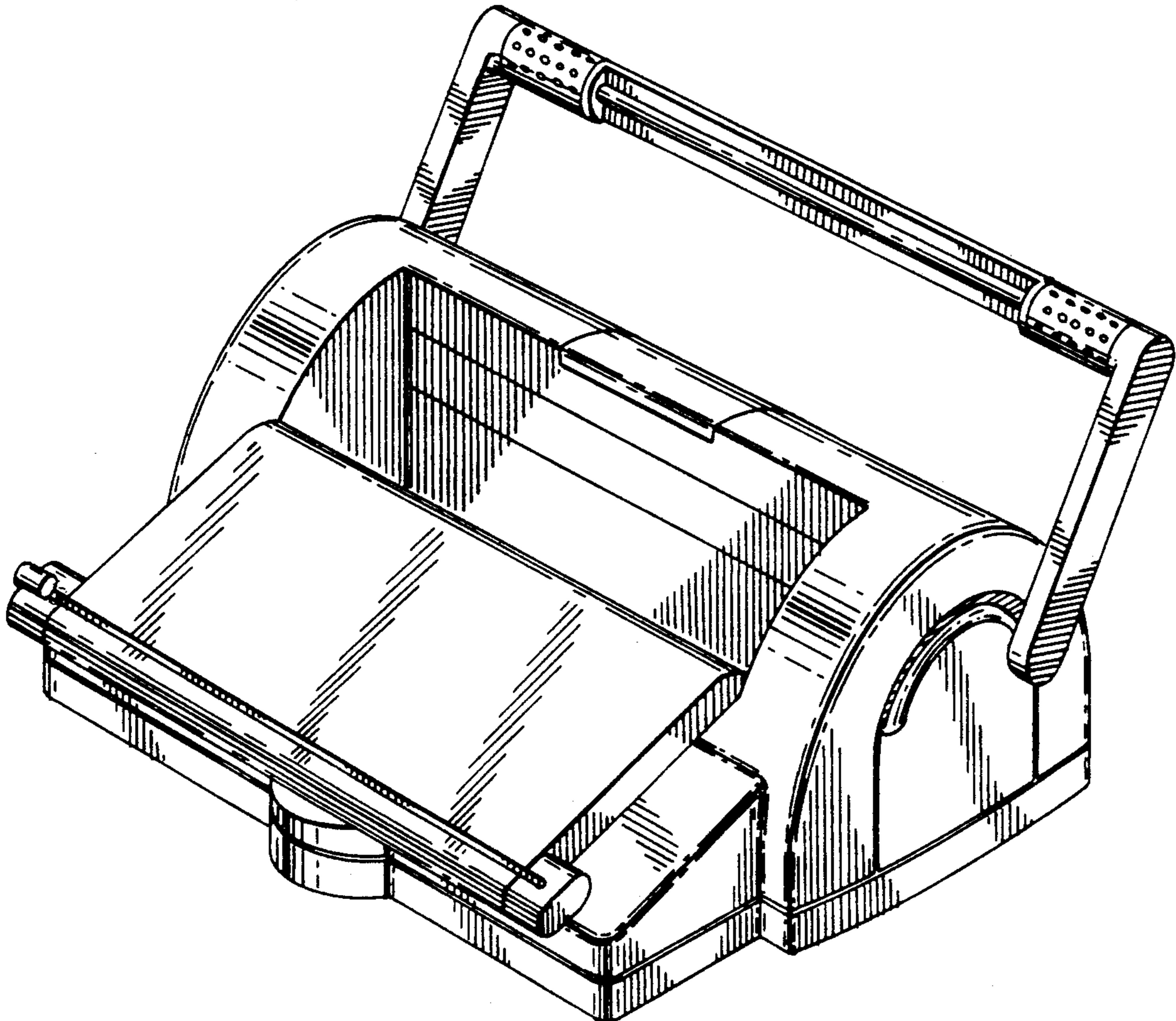
FIG. 2 is a left side elevational view thereof, the right side being a mirror image of the left side shown;

FIG. 3 is a top plan view thereof;

FIG. 4 is a front elevational view thereof; and

FIG. 5 is a rear elevational view thereof;

The bottom is free of ornamentation.



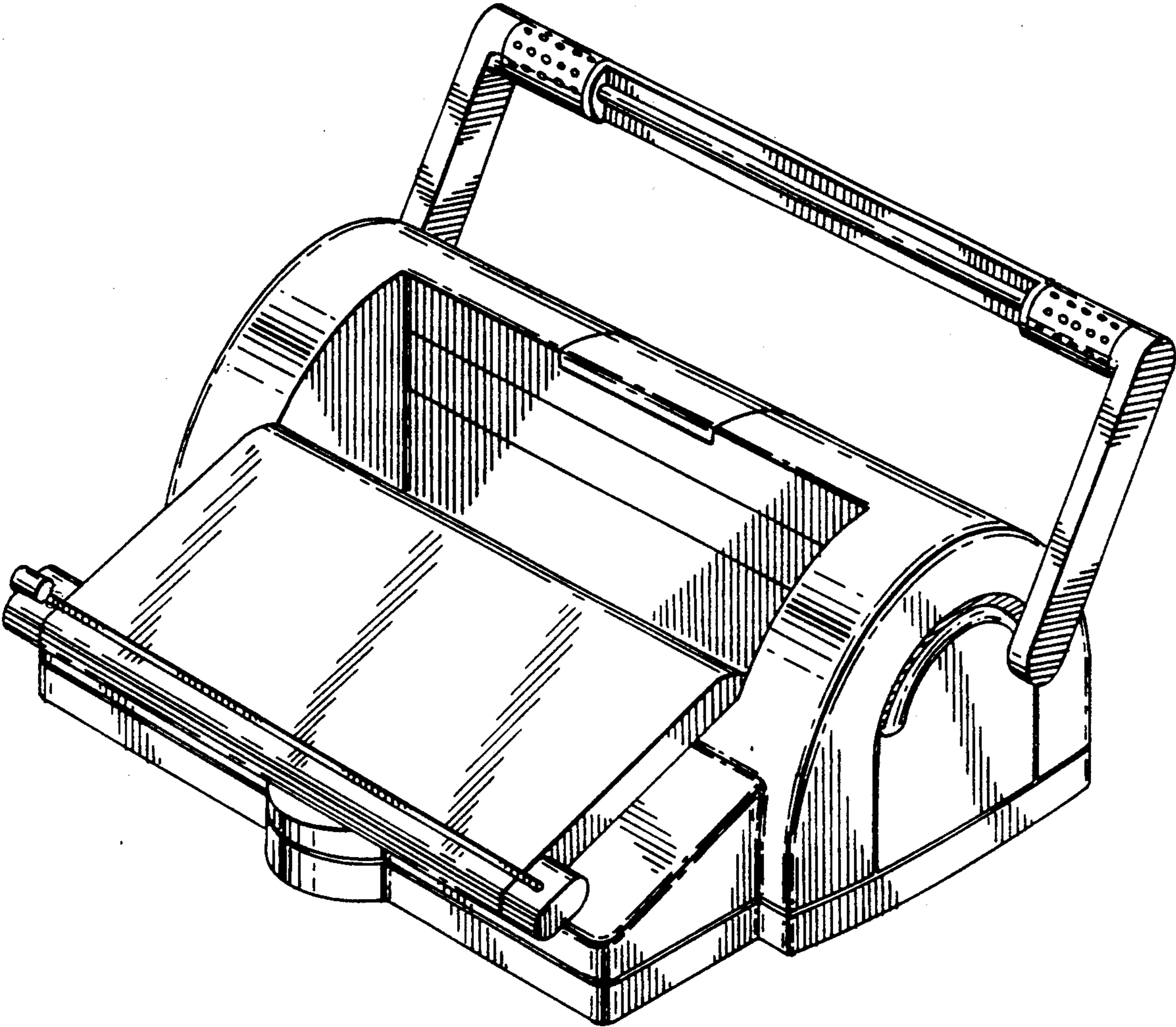


FIG. 1

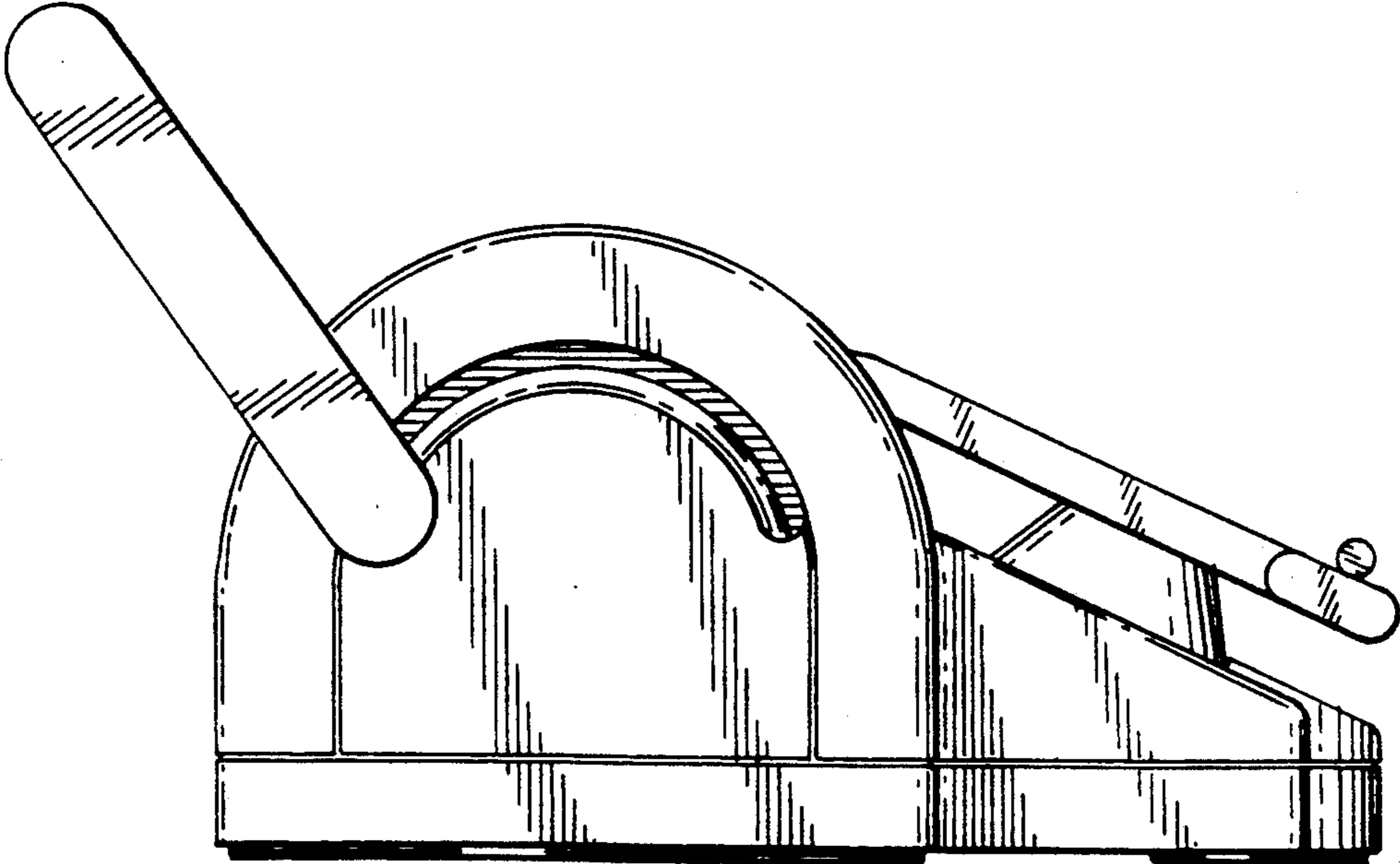


FIG. 2

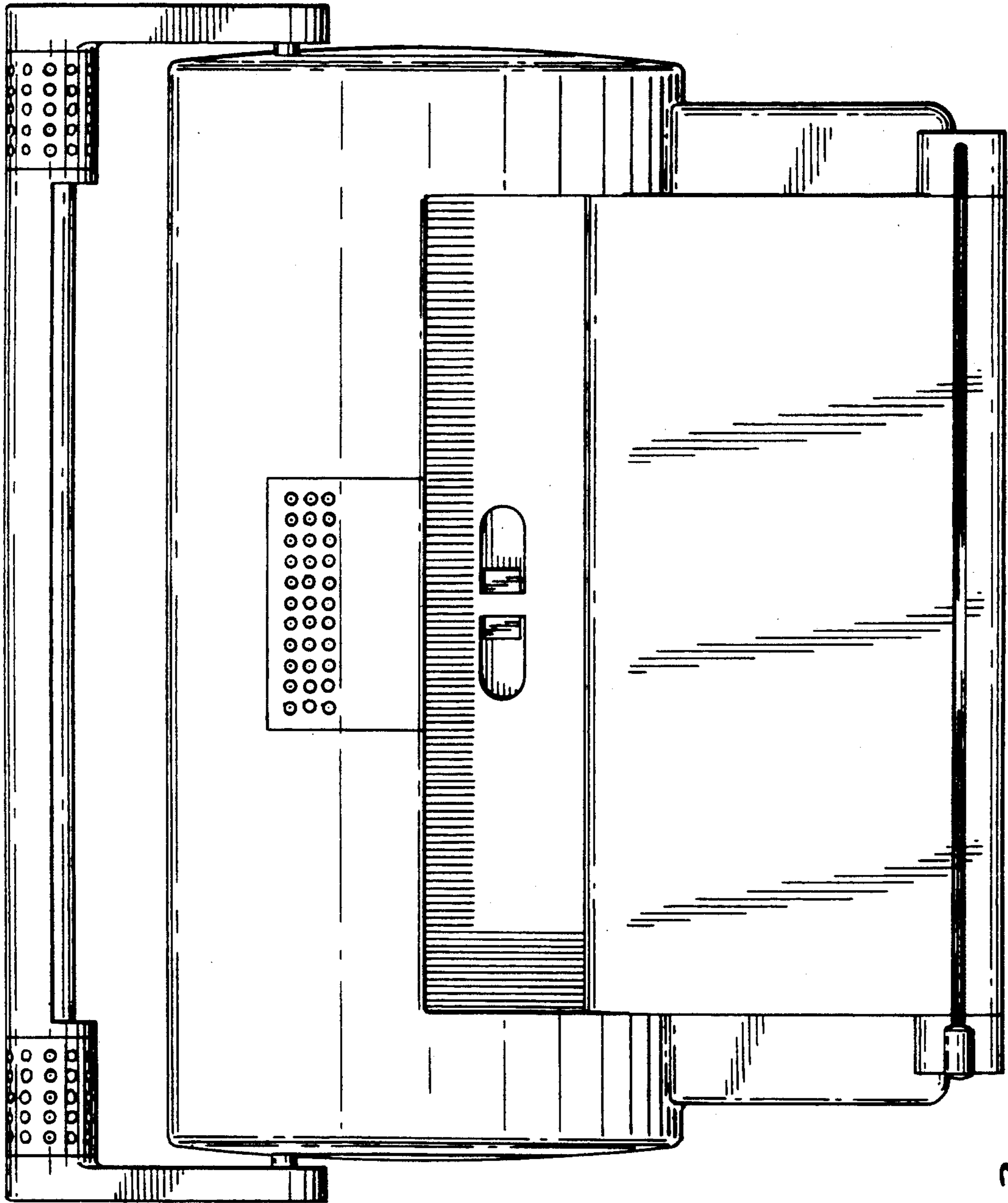


FIG. 3

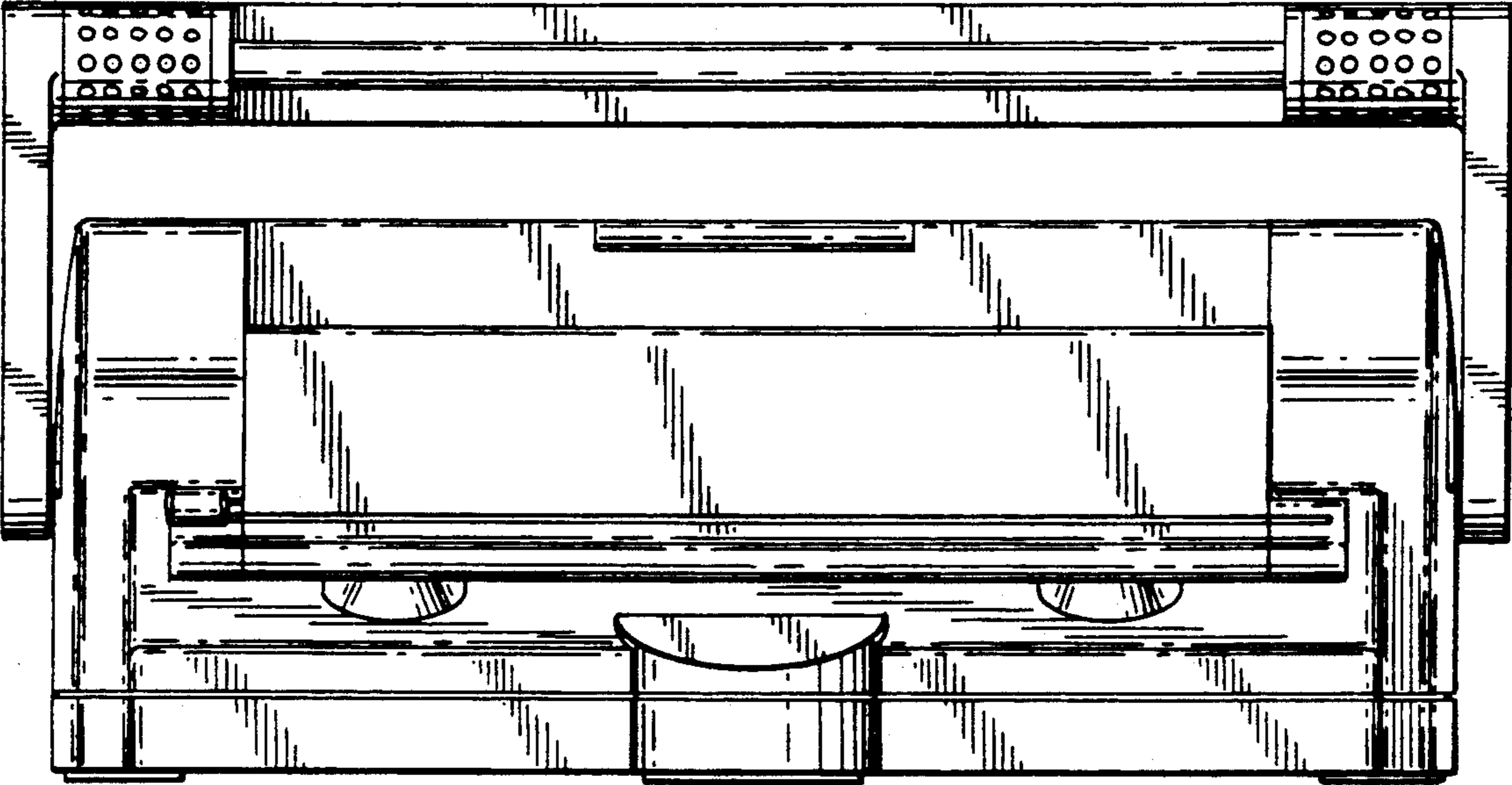


FIG. 4

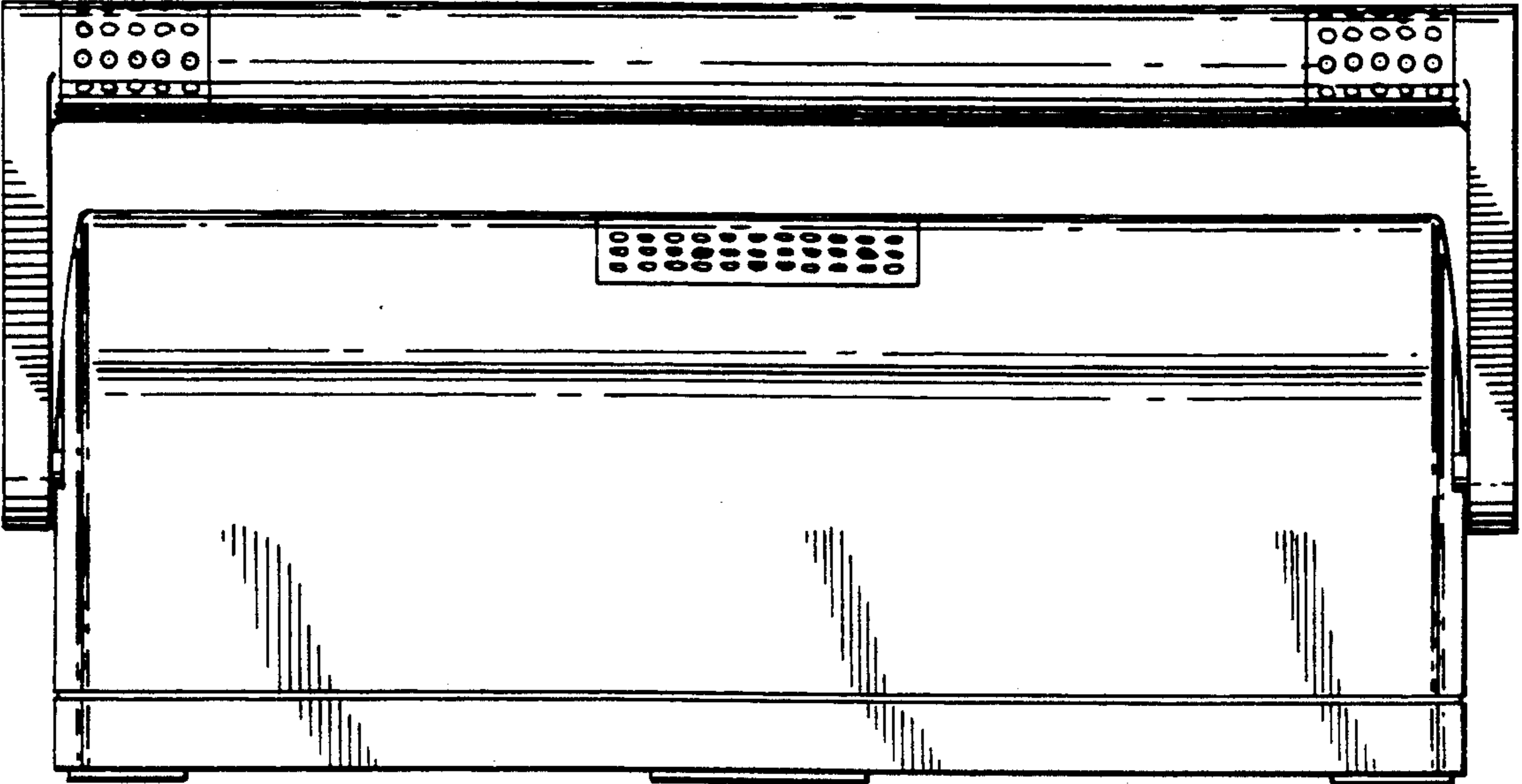


FIG. 5