

# United States Patent [19]

Matsuoka et al.

[11] Patent Number: **Des. 320,038**

[45] Date of Patent: **\*\* Sep. 17, 1991**

[54] **INK RIBBON CASSETTE FOR ELECTRONIC TYPEWRITER**

[75] Inventors: **Fumiya Matsuoka, Kawasaki; Toshiyuki Ohnishi, Yokohama, both of Japan**

[73] Assignee: **Canon Kabushiki Kaisha, Tokyo, Japan**

[\*\*] Term: **14 Years**

[21] Appl. No.: **165,574**

[22] Filed: **Mar. 8, 1988**

[30] **Foreign Application Priority Data**

Sep. 28, 1987 [JP] Japan ..... 62-39934

[52] U.S. Cl. .... **D18/12**

[58] Field of Search ..... D18/12, 22, 99; D14/121; 400/191-196, 208

[56] **References Cited**

**U.S. PATENT DOCUMENTS**

D. 281,331 11/1985 Nibley et al. .... D18/12  
281,332 11/1985 Nibley et al. .... D18/12

D. 285,808 9/1986 Fuziwara et al. .... D18/12  
D. 302,437 7/1989 Altmann et al. .... D18/12  
D. 303,795 10/1989 Brown ..... D14/121  
D. 304,597 11/1989 Sakurai ..... D18/12  
4,600,325 7/1986 Okamoto et al. .... 400/208  
4,611,937 9/1986 Sato et al. .... 400/208  
4,793,723 12/1988 Furhata ..... 400/208 X

*Primary Examiner*—Nelson C. Holtje  
*Assistant Examiner*—Caron D. Veynar  
*Attorney, Agent, or Firm*—Fitzpatrick, Cella, Harper & Scinto

[57] **CLAIM**

The ornamental design for an ink ribbon cassette for electronic typewriter, as shown and described.

**DESCRIPTION**

FIG. 1 is a front elevational view of an ink ribbon cassette for electronic typewriter showing our new design; FIG. 2 is a rear elevational view thereof; FIG. 3 is a top plan view thereof; FIG. 4 is a bottom plan view thereof; FIG. 5 is a left side elevational view thereof; FIG. 6 is a right side elevational view thereof; and FIG. 7 is a right, front and top perspective view thereof.

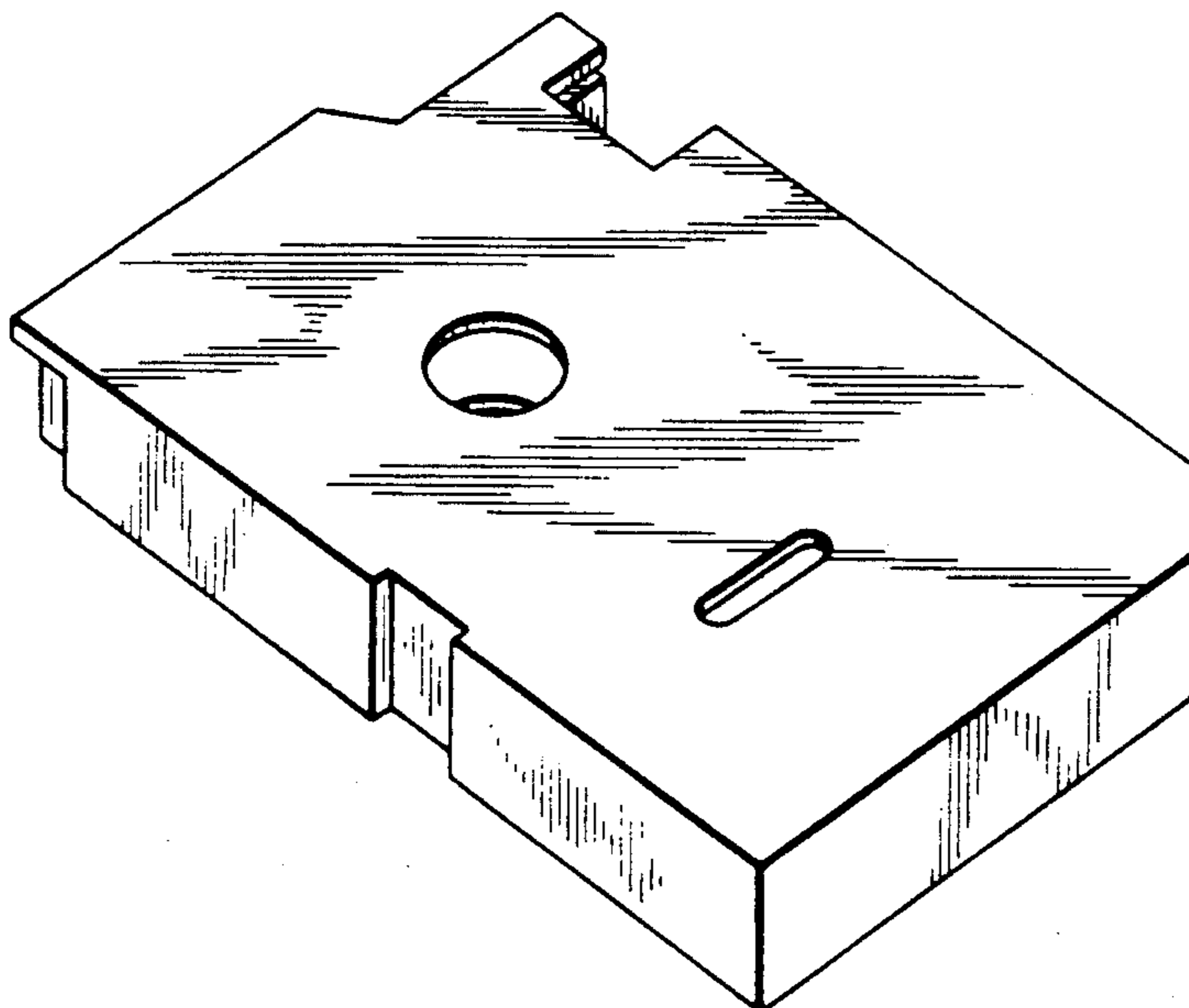


FIG. 1



FIG. 2



FIG. 3

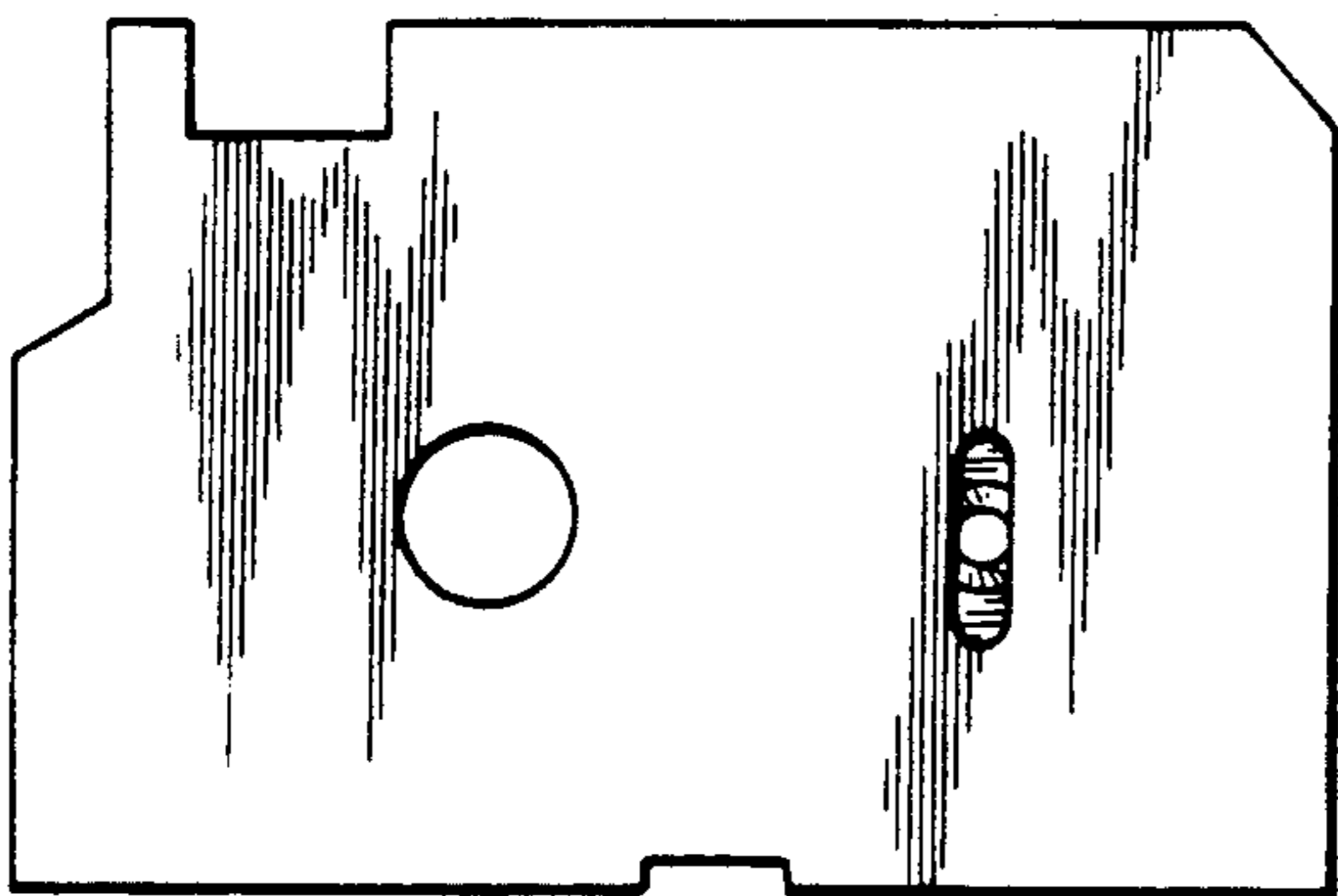


FIG. 4

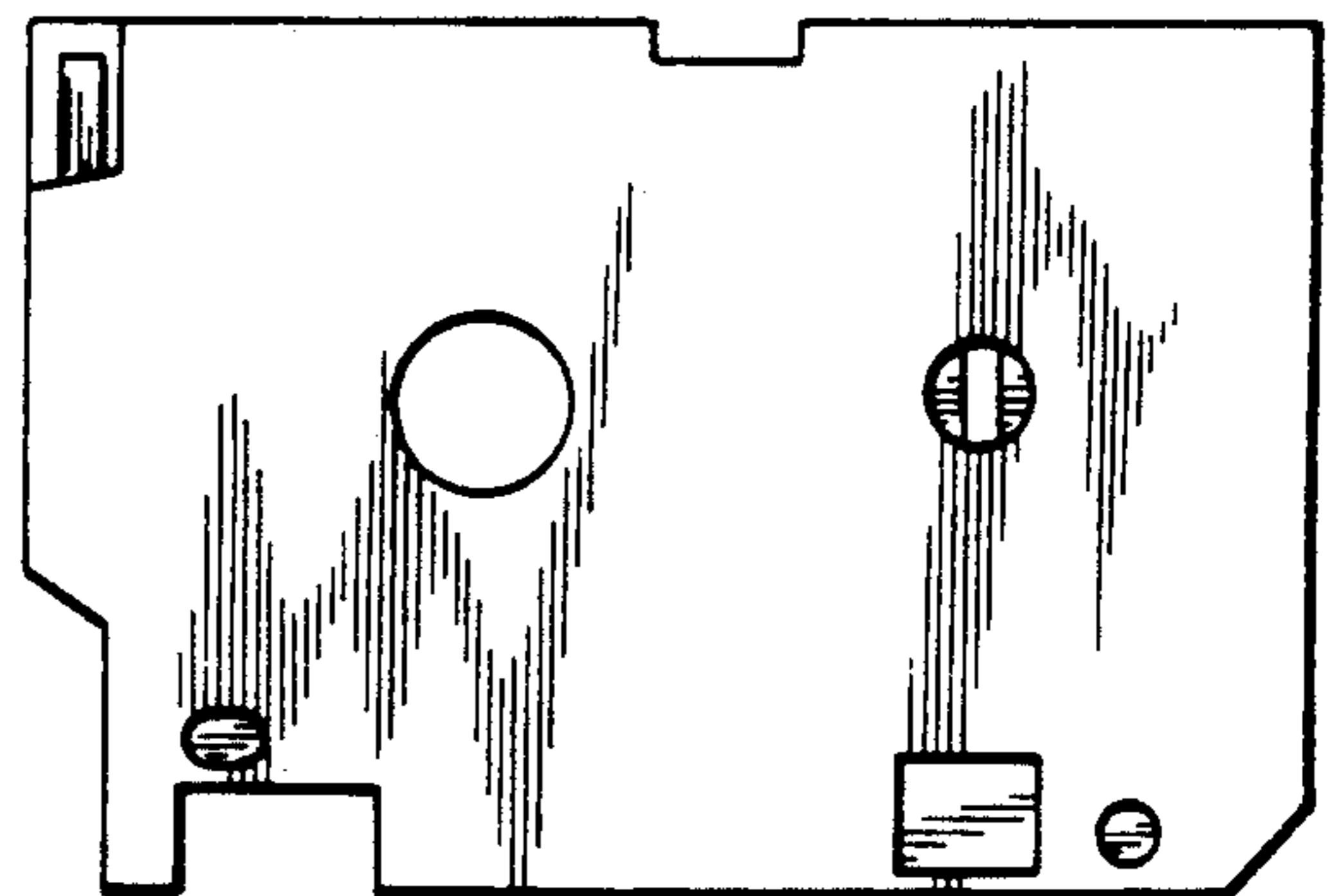


FIG. 5



FIG. 6

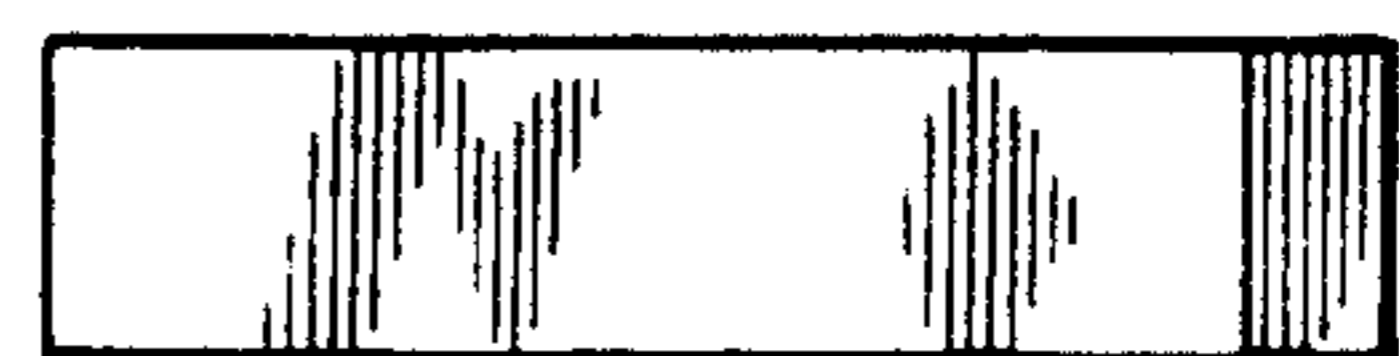


FIG. 7

