

United States Patent [19]

Watanabe et al.

[11] Patent Number: Des. 320,022

[45] Date of Patent: ** Sep. 17, 1991

[54] HOLDER FOR A PORTABLE RADIO TELEPHONE

[75] Inventors: Katsuhito Watanabe; Masami Suda, both of Tokyo, Japan

[73] Assignee: Oki Electric Industry, Co., Ltd., Tokyo, Japan

[**] Term: 14 Years

[21] Appl. No.: 392,288

[22] Filed: Aug. 11, 1989

[30] Foreign Application Priority Data

Feb. 15, 1989 [JP] Japan 1-5210

[52] U.S. Cl. D14/251; D6/567; D8/354

[58] Field of Search D6/553, 566, 567; D8/349, 354, 380; D14/251; 211/13, 60.1, 86-87, 89, 106; 248/200, 309.1, 310, 316.8; 379/441, 446, 454

[56] References Cited

U.S. PATENT DOCUMENTS

D. 242,409 11/1976 Enckler D6/566 X
D. 305,431 1/1990 Adams D6/567 X
D. 306,299 2/1990 Soren et al. D14/251
4,837,814 6/1989 Yoshino et al. D14/251 X
4,945,561 7/1990 Rioux, Jr. 379/454

Primary Examiner—Brian N. Vinson
Attorney, Agent, or Firm—Wenderoth, Lind & Ponack

[57] CLAIM

The ornamental design for a holder for a portable radio telephone, as shown and described.

DESCRIPTION

FIG. 1 is a top front, and left side elevational view of a holder for a portable radio telephone showing our new design;

FIG. 2 is a front elevational view thereof;

FIG. 3 is a rear elevational view thereof;

FIG. 4 is a top plan view thereof;

FIG. 5 is a bottom plan view thereof;

FIG. 6 is a right side elevational view thereof; and

FIG. 7 is a vertical cross-sectional view thereof, taken along line 7—7 of FIG. 2.

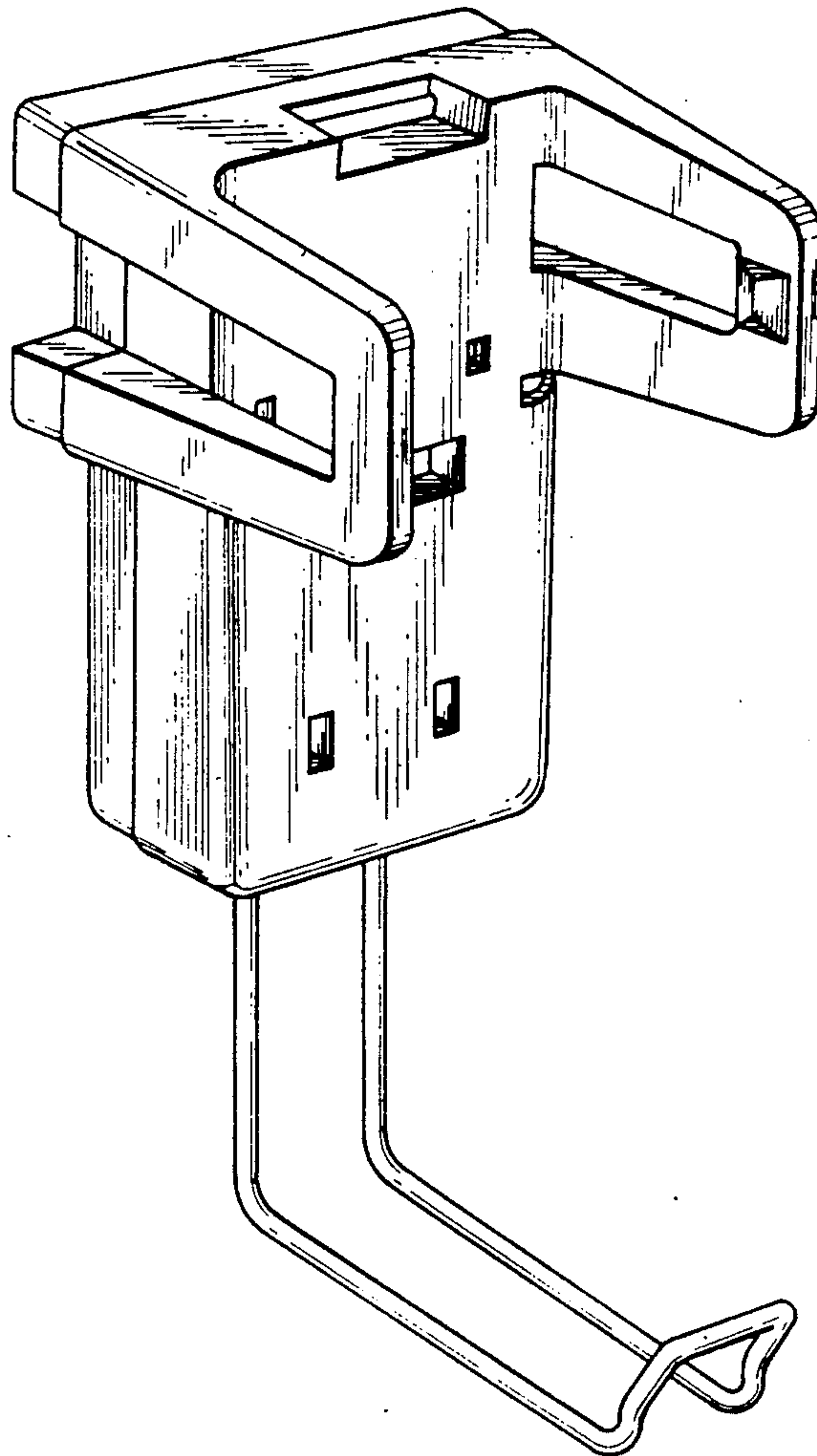


Fig. 1

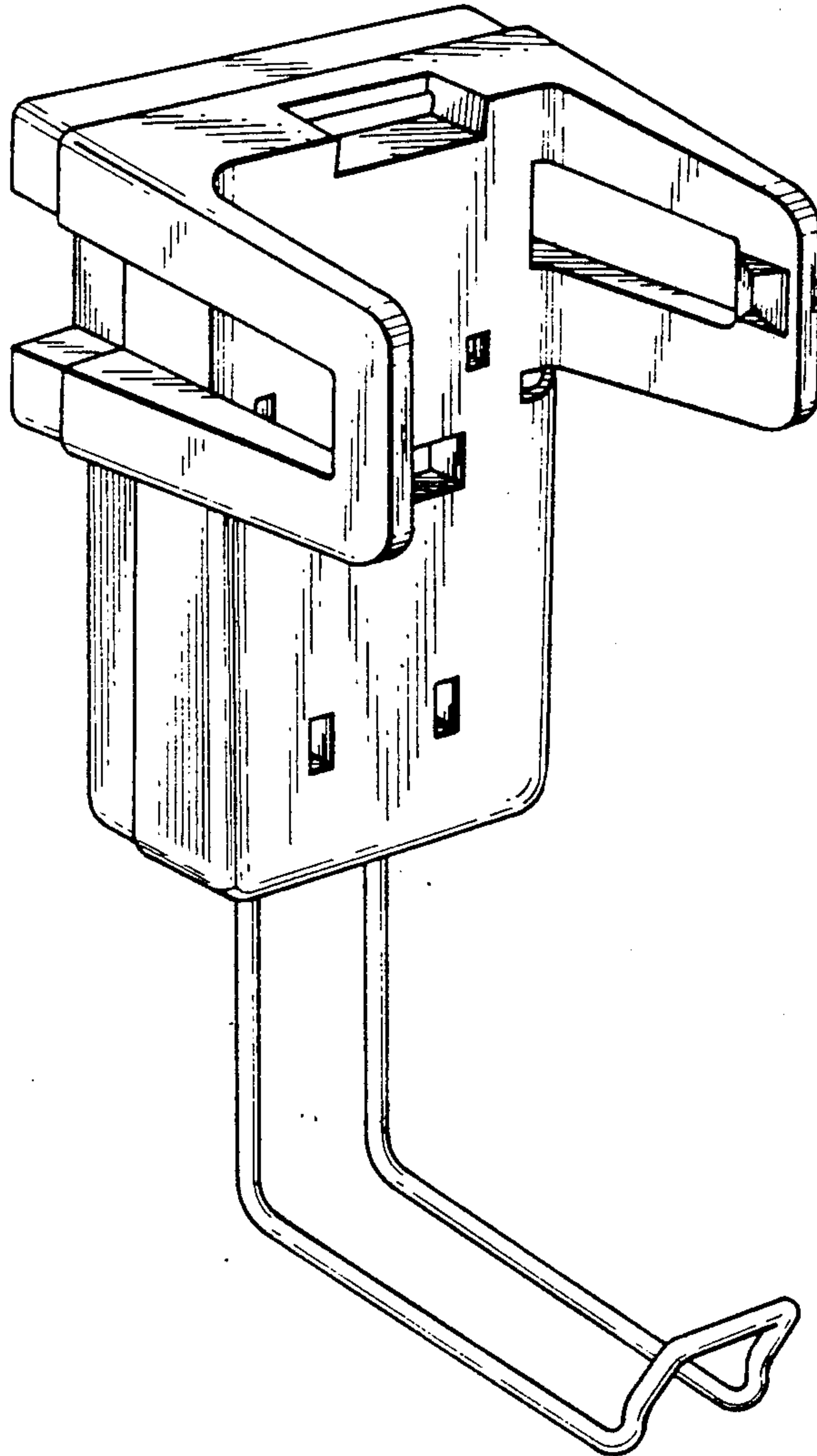


Fig. 2

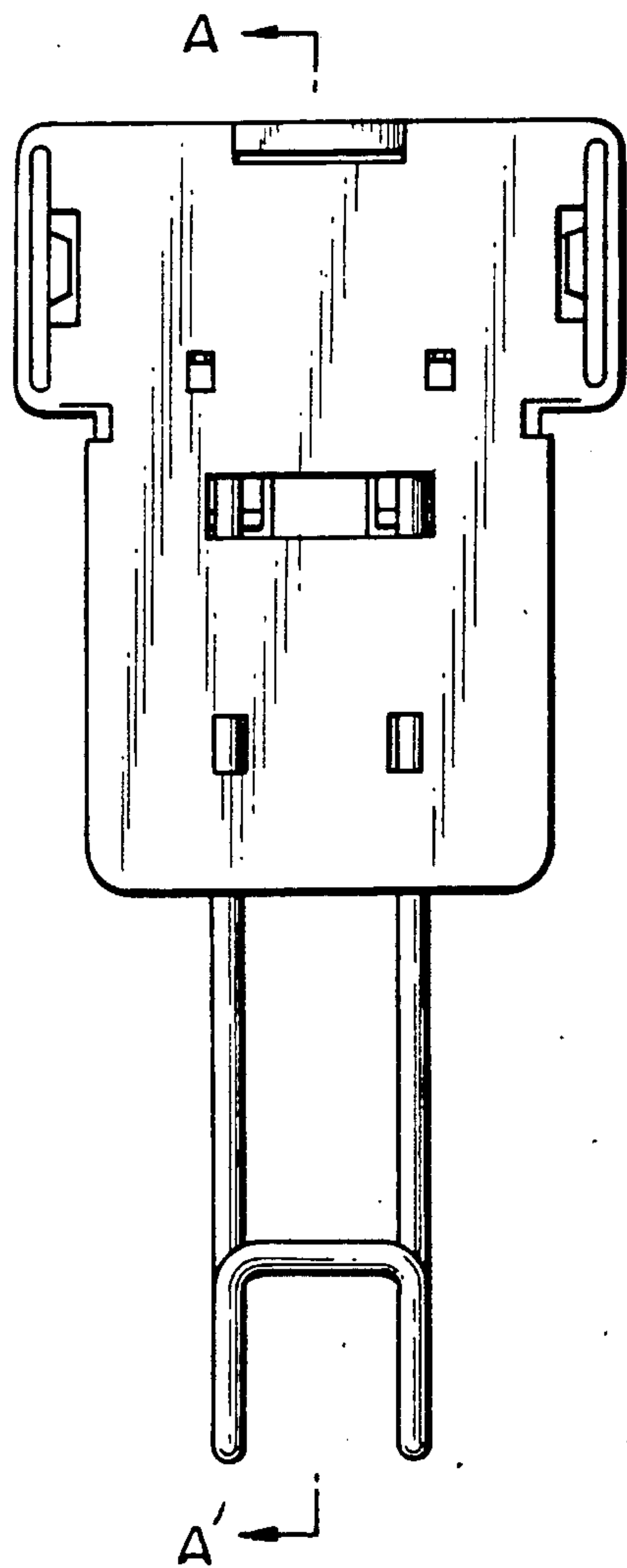


Fig. 3

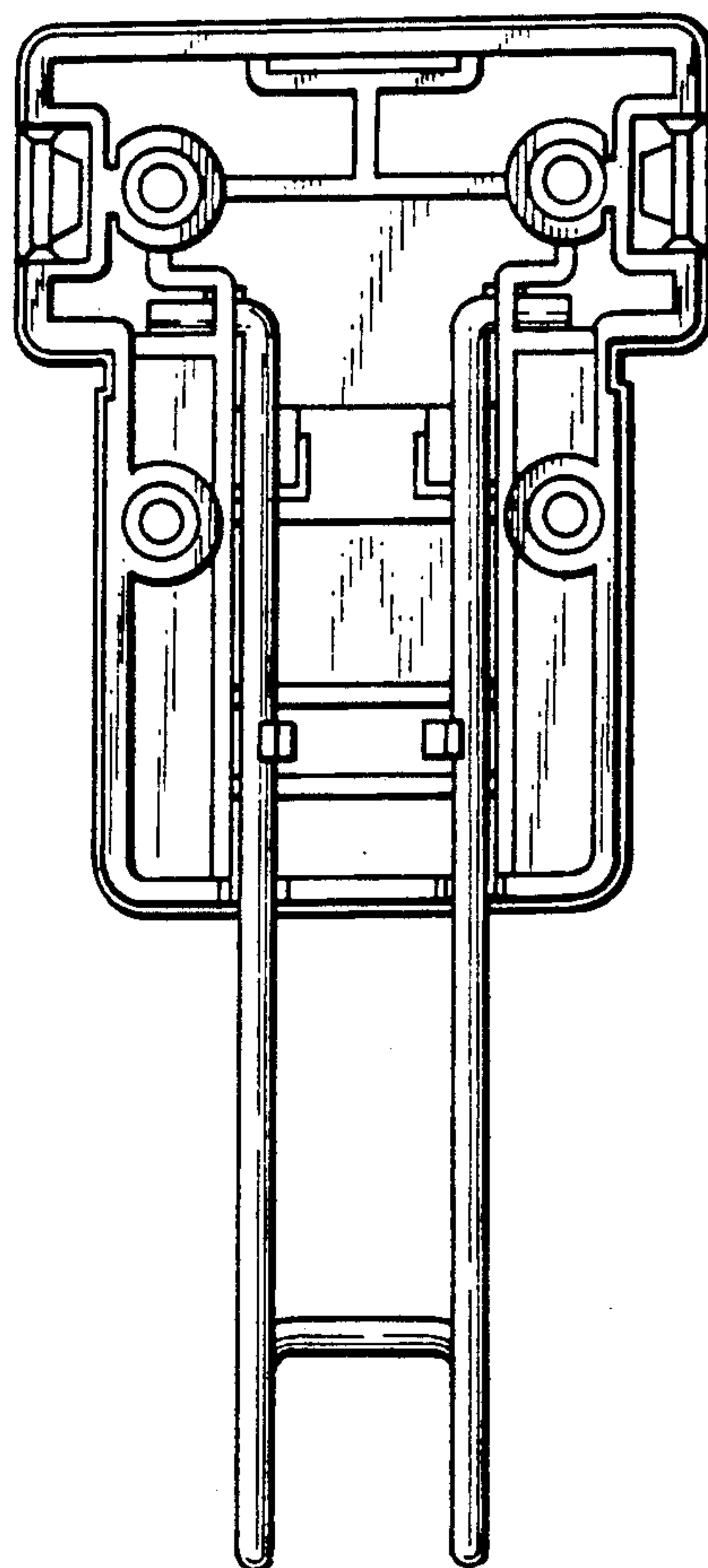


Fig. 4

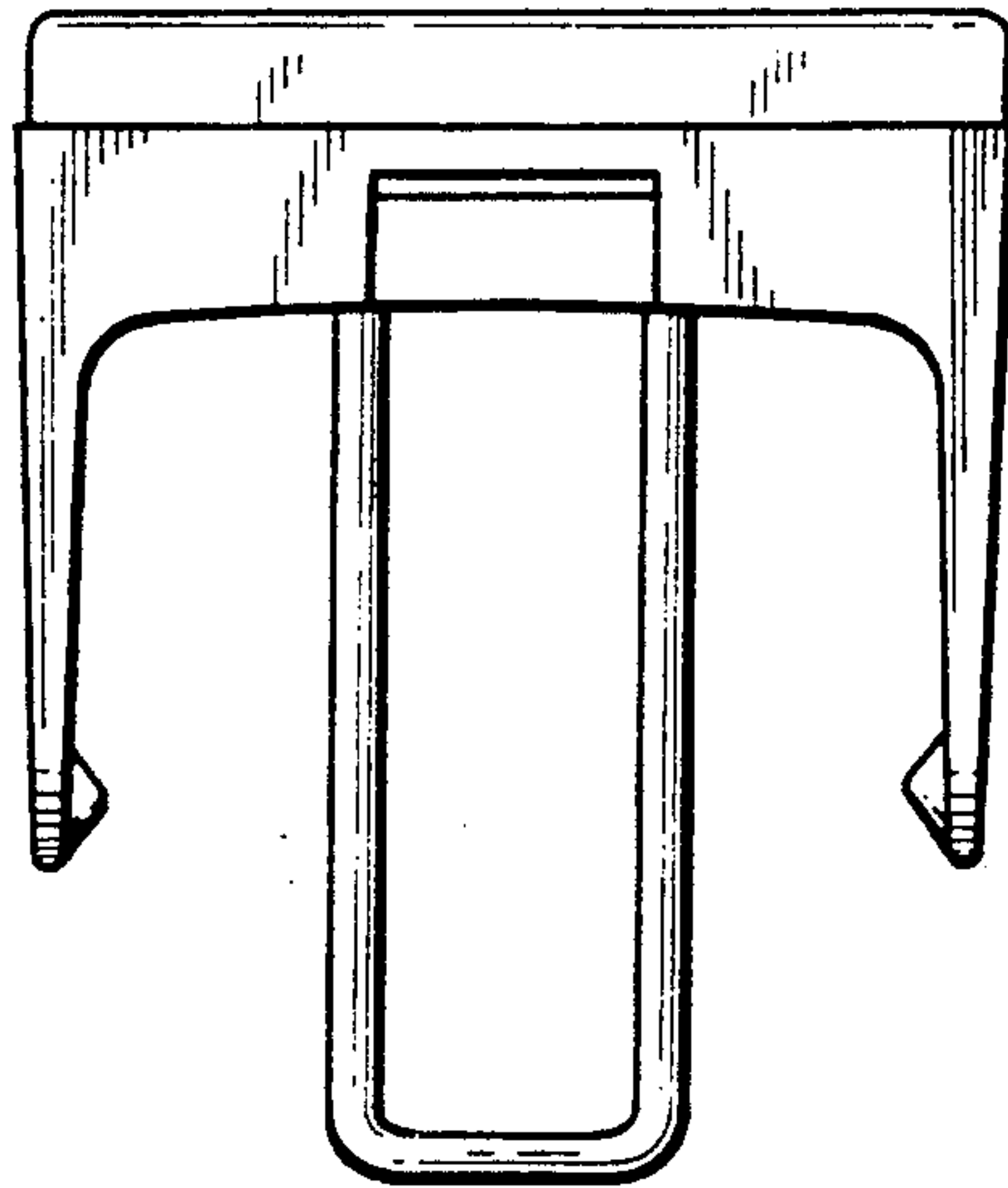


Fig. 5

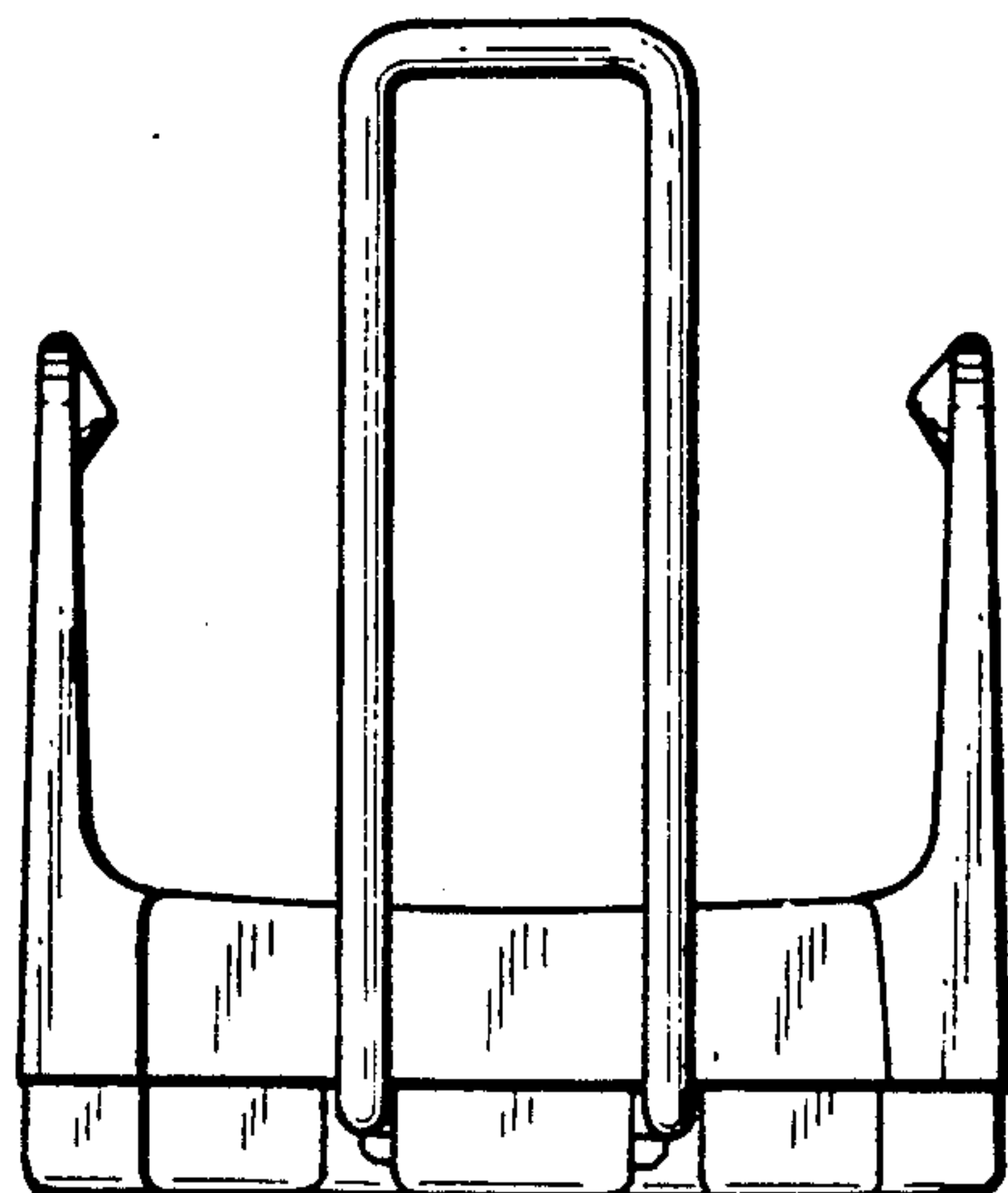


Fig. 6

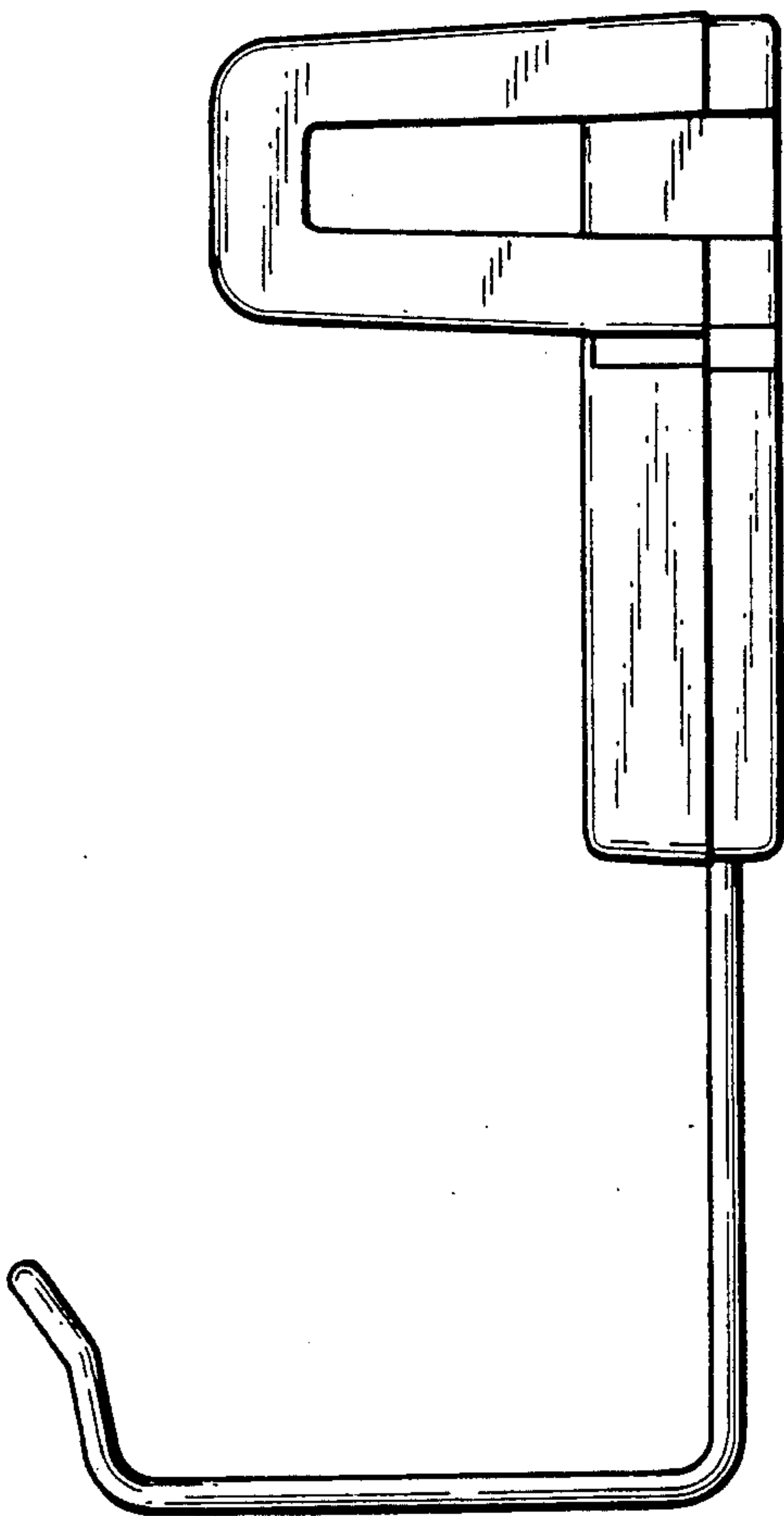


Fig. 7

