

United States Patent [19]

To Yung Pang

[11] Patent Number: **Des. 320,016**

[45] Date of Patent: **** Sep. 17, 1991**

[54] **COMBINED CASSETTE RECORDER AND RADIO**

[75] Inventor: **William To Yung Pang**, Kowloon, Hong Kong

[73] Assignee: **Saple International Ltd.**, Kowloon, Hong Kong

[**] Term: **14 Years**

[21] Appl. No.: **339,433**

[22] Filed: **Apr. 17, 1989**

[30] **Foreign Application Priority Data**

Dec. 23, 1988 [GB] United Kingdom 1055965

[52] U.S. Cl. **D14/163; D14/165**

[58] Field of Search D14/160-165, D14/167-168, 188, 192, 196; 455/344, 350, 351

[56] **References Cited**

U.S. PATENT DOCUMENTS

D. 298,236 10/1988 Hirose et al. D14/163

D. 309,899 8/1990 Kashiwagi D14/168 X

D. 312,640 12/1990 Taniguchi D14/196

OTHER PUBLICATIONS

Design 460; Apr. 1987; p. 22; Top-Sharp Stereo Radio Cassette Recorder.

Primary Examiner—Theodore M. Shooman
Attorney, Agent, or Firm—Armstrong, Nikaido, Marmelstein, Kubovcik & Murray

[57] **CLAIM**

The ornamental design for a combined cassette recorder and radio, as shown.

DESCRIPTION

FIG. 1 is a top plan view of a combined cassette recorder and radio showing my new design; FIG. 2 is a bottom plan view thereof; FIG. 3 is a front elevational view thereof; FIG. 4 is a rear elevational view thereof; FIG. 5 is a right side elevational view thereof; FIG. 6 is a left side elevational view thereof; and FIG. 7 is a top, front and right side perspective view thereof.

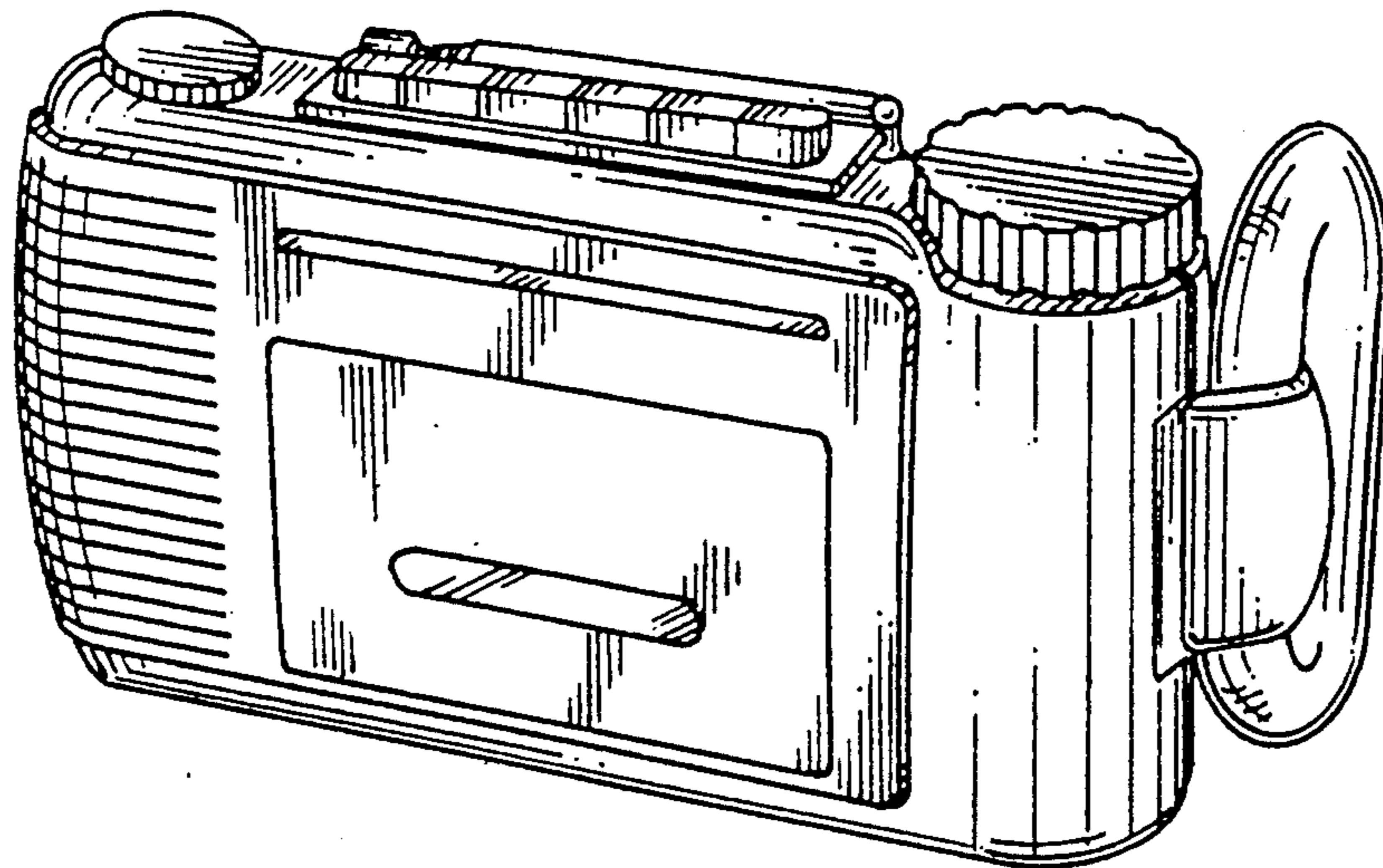


Fig. 1

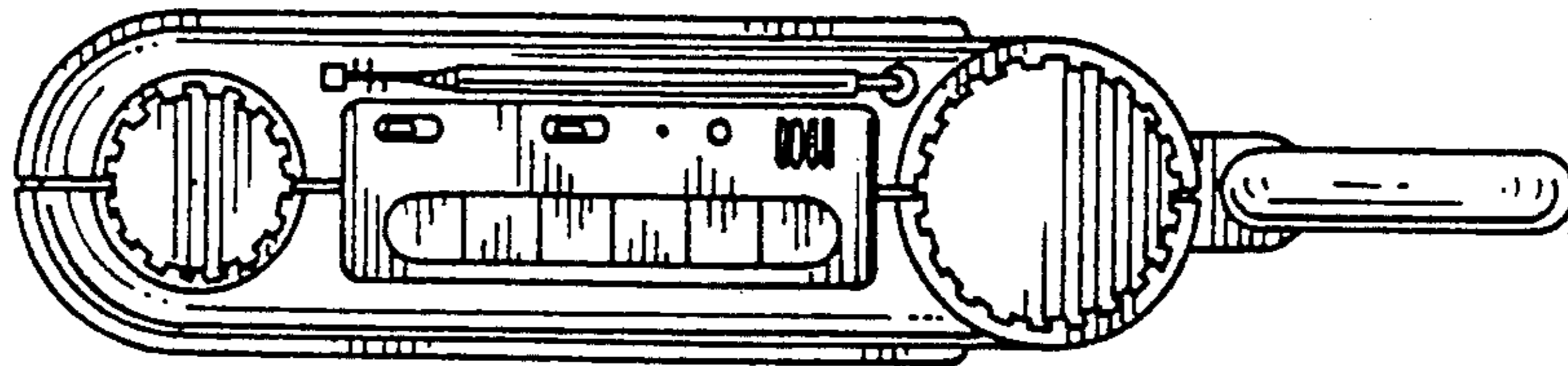


Fig. 2

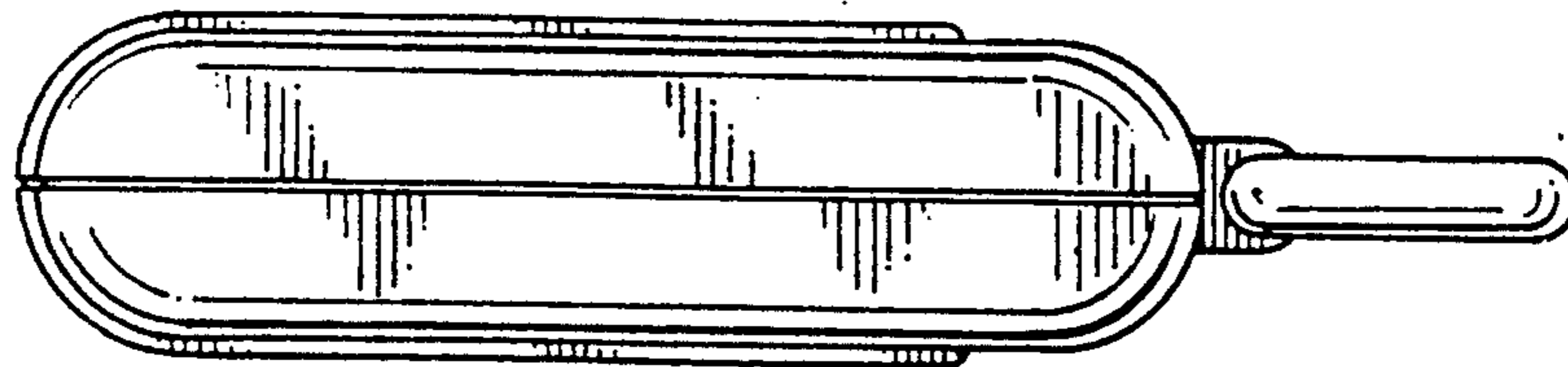


Fig. 3

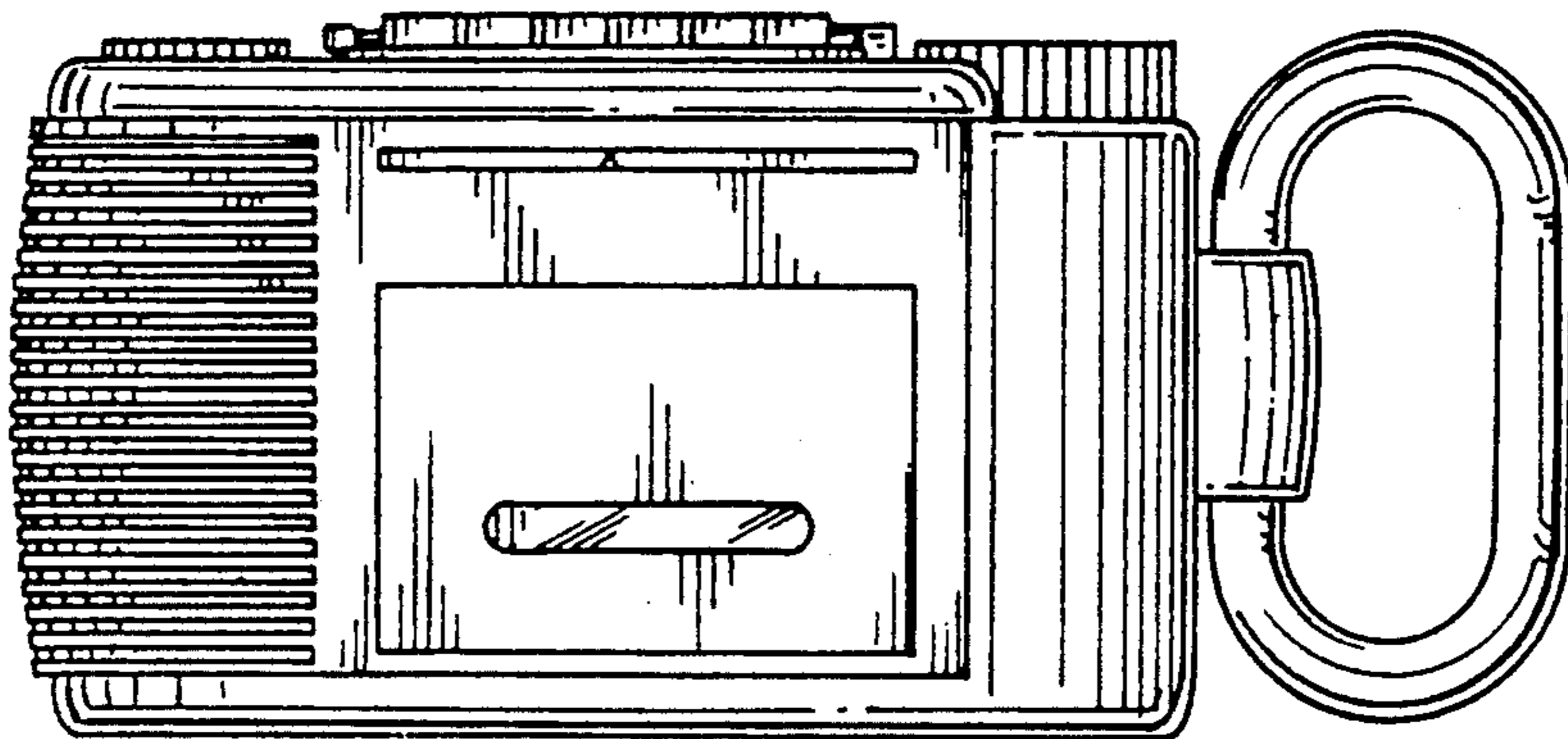


Fig. 4

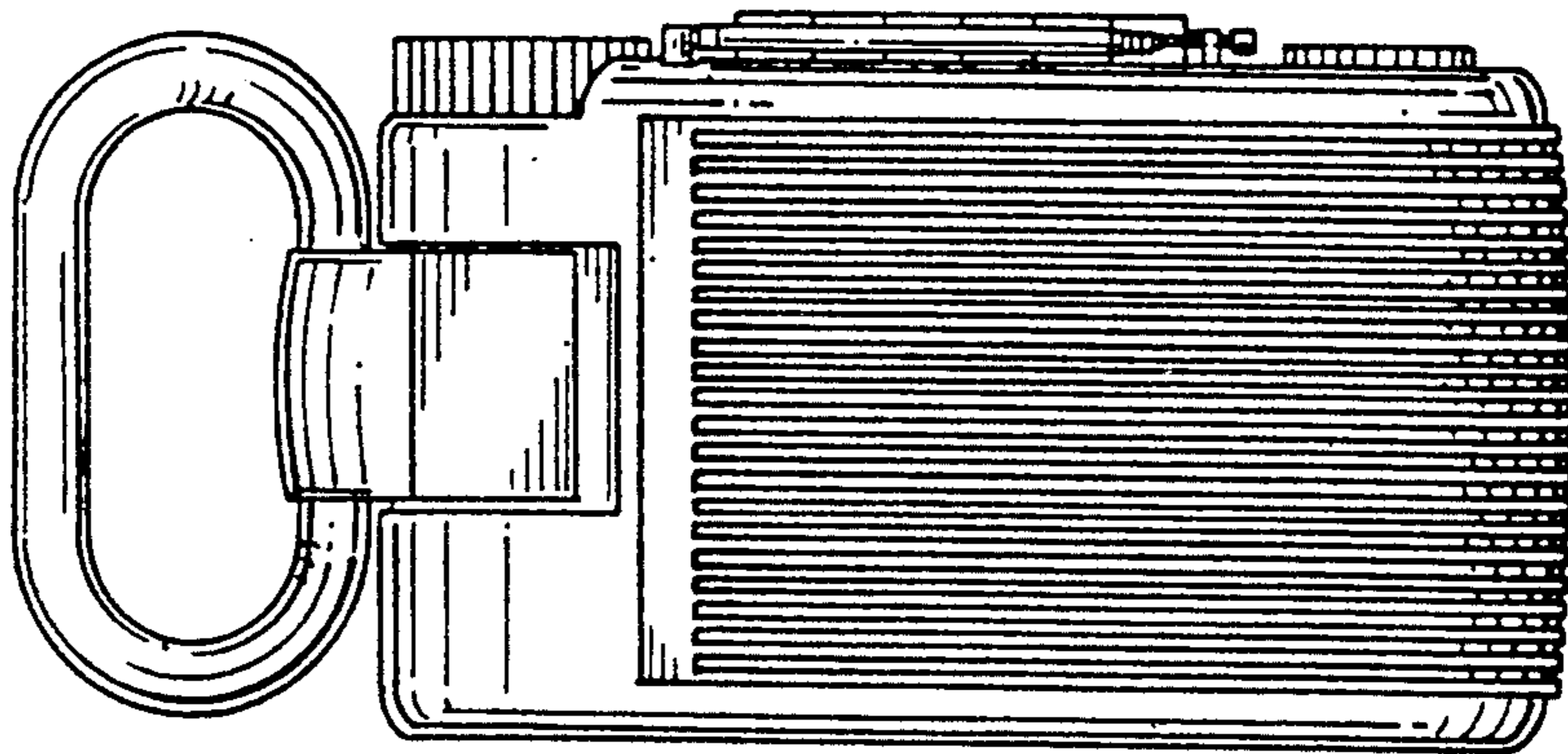


Fig. 5

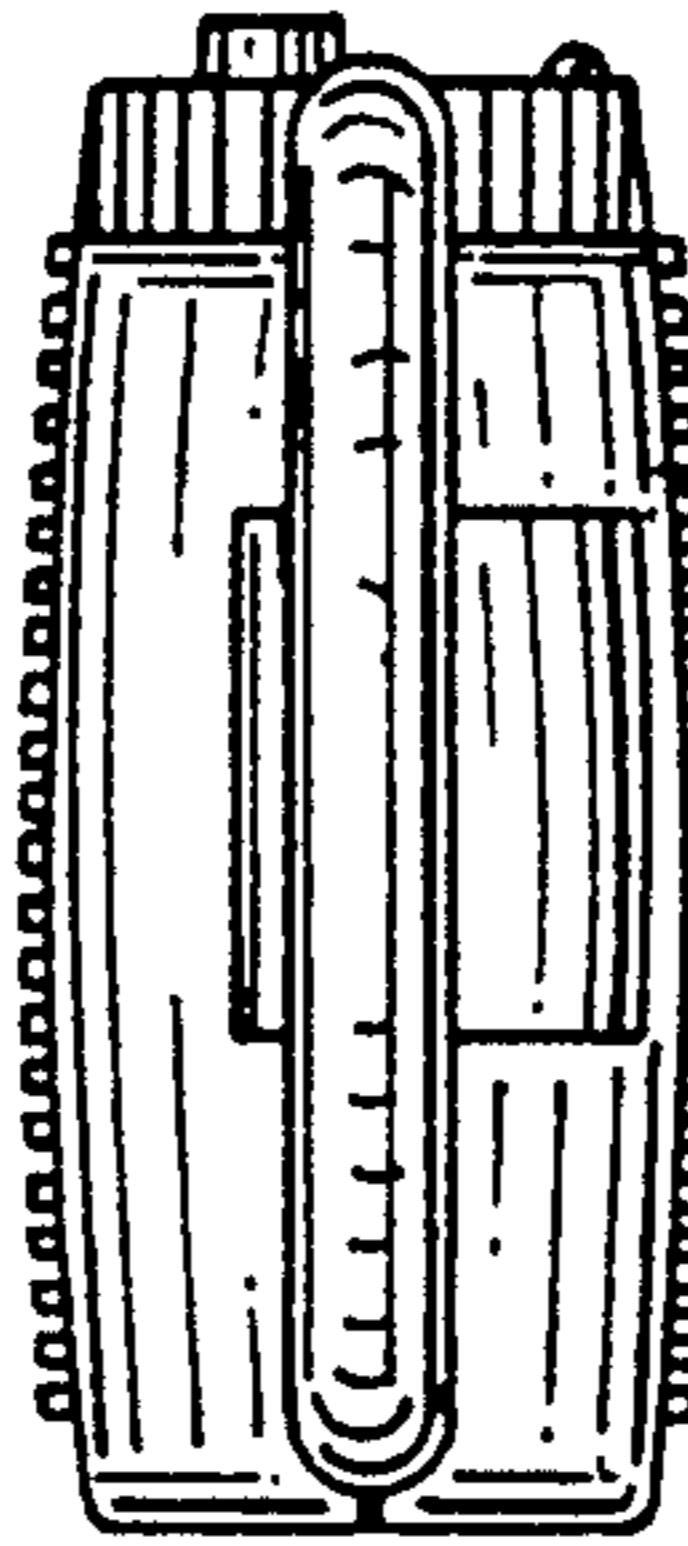
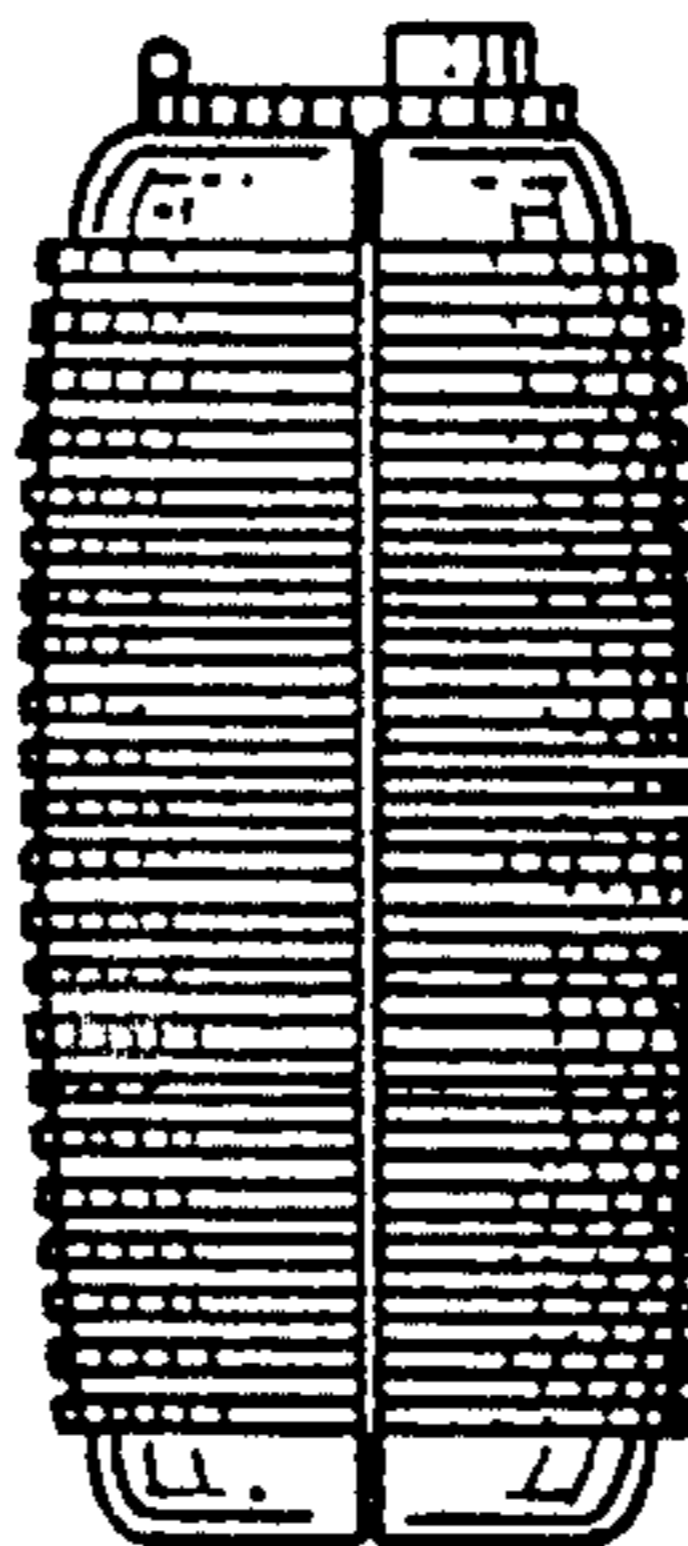


Fig. 6



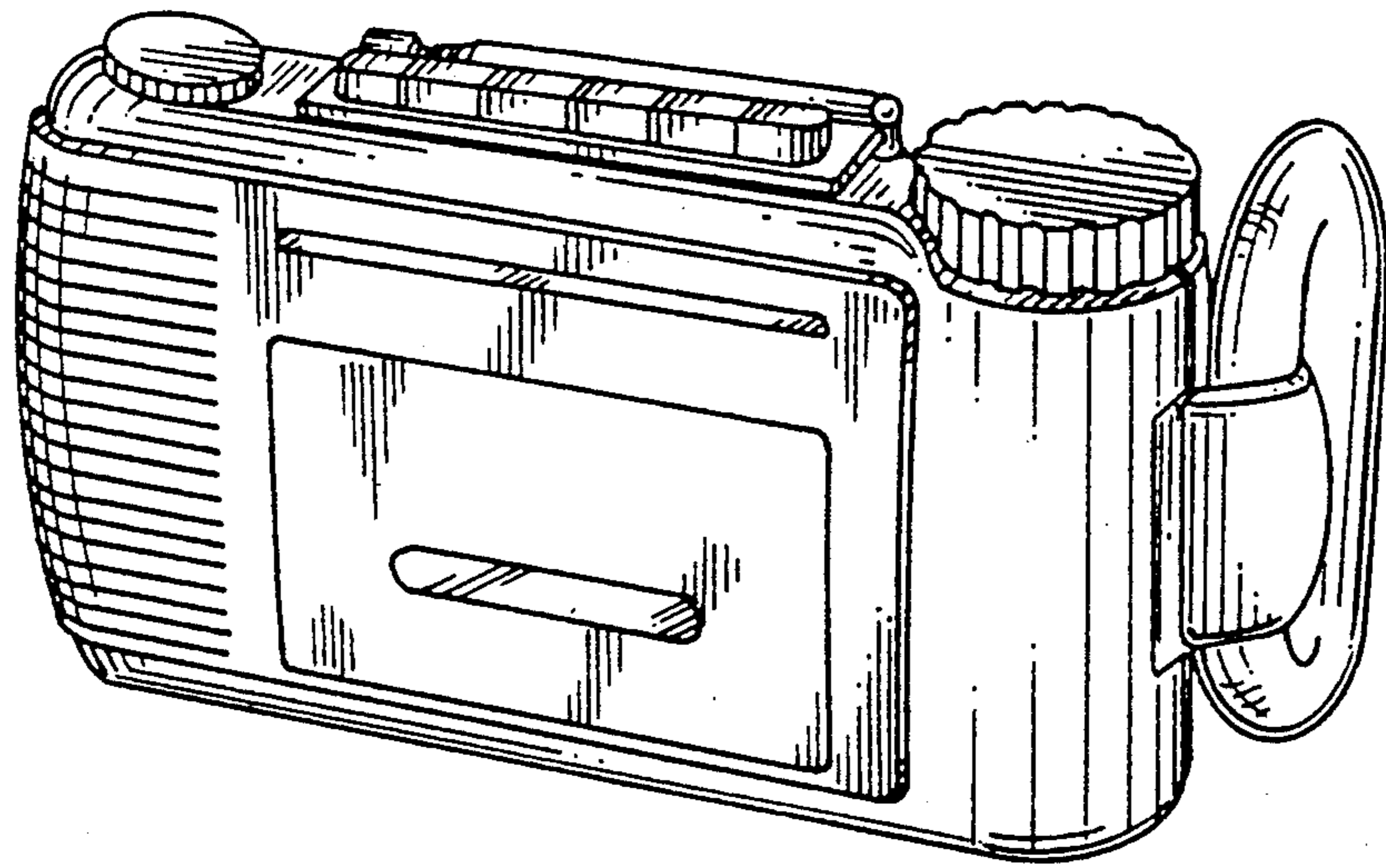


Fig. 7