

# United States Patent [19]

Leverault et al.

[11] Patent Number: Des. 320,007

[45] Date of Patent: \*\* Sep. 17, 1991

[54] COMPUTER HOUSING

[75] Inventors: Craig M. Leverault, Mountain View;  
Peter C. D. Ta, Newark; Howell  
Hsiao, Mountain View, all of Calif.

[73] Assignee: Sun Microsystems, Inc., Mountain  
View, Calif.

[\*\*] Term: 14 Years

[21] Appl. No.: 558,172

[22] Filed: Jul. 25, 1990

[52] U.S. Cl. .... D14/100

[58] Field of Search ..... D14/100-117;  
D13/184, 199; 360/97-99, 132, 133;  
361/330-335, 390-395, 399, 415; 200/5 A, 5 R,  
6 A, 6 R; 312/198, 208

[56] References Cited

U.S. PATENT DOCUMENTS

D. 293,242 12/1987 Hujimori et al. .... D14/100  
D. 295,749 5/1988 Kelley, Jr. et al. .... D14/109 X

D. 302,006 7/1989 Kawaguchi ..... D14/100  
D. 304,332 10/1989 Hara ..... D14/109  
D. 304,823 11/1989 Pfeifer et al. .... D14/100  
D. 306,014 2/1990 Loose et al. .... D14/100  
D. 313,011 12/1990 Searle et al. .... D14/100

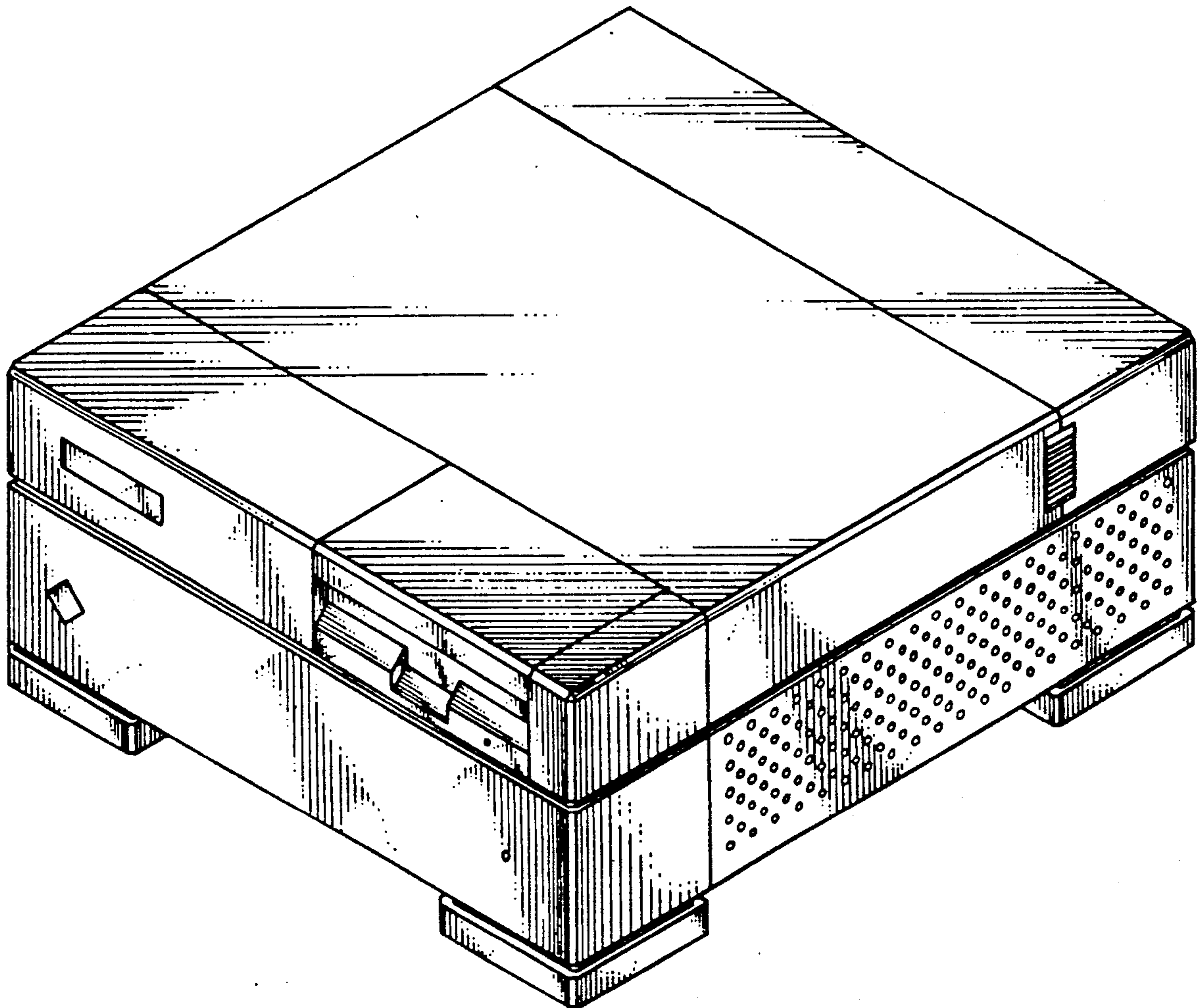
Primary Examiner—Wallace R. Burke  
Assistant Examiner—Freda S. Nunn  
Attorney, Agent, or Firm—Blakely, Sokoloff, Taylor &  
Zafman

[57] CLAIM

The ornamental design for a computer housing, as  
shown and described.

DESCRIPTION

FIG. 1 is a top front left side perspective view of a  
computer housing showing our new design;  
FIG. 2 is a front elevational view thereof;  
FIG. 3 is a top plan view thereof;  
FIG. 4 is a bottom plan view thereof;  
FIG. 5 is a left side elevational view thereof;  
FIG. 6 is a right side elevational view thereof; and  
FIG. 7 is a rear elevational view thereof.



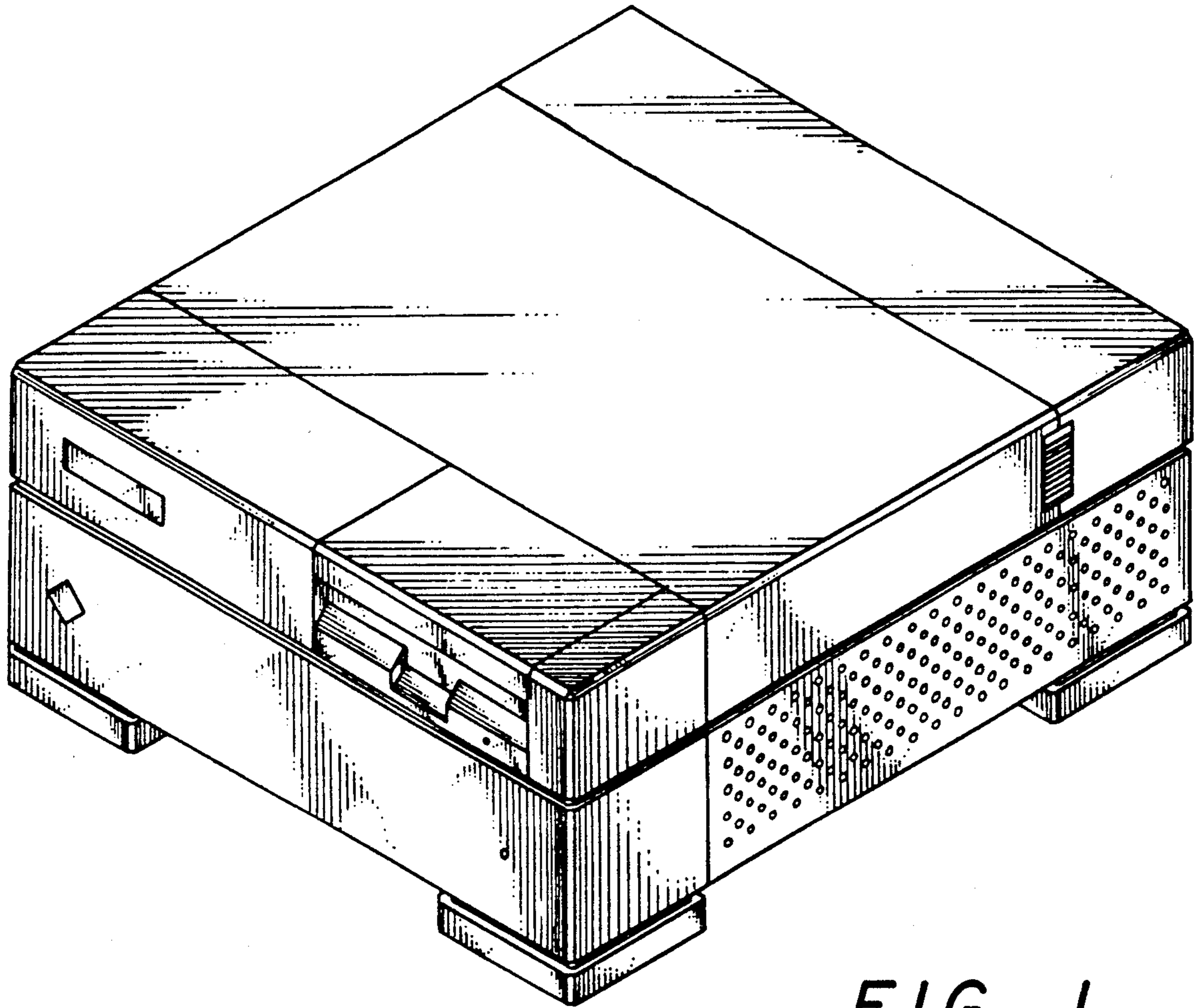


FIG. 1

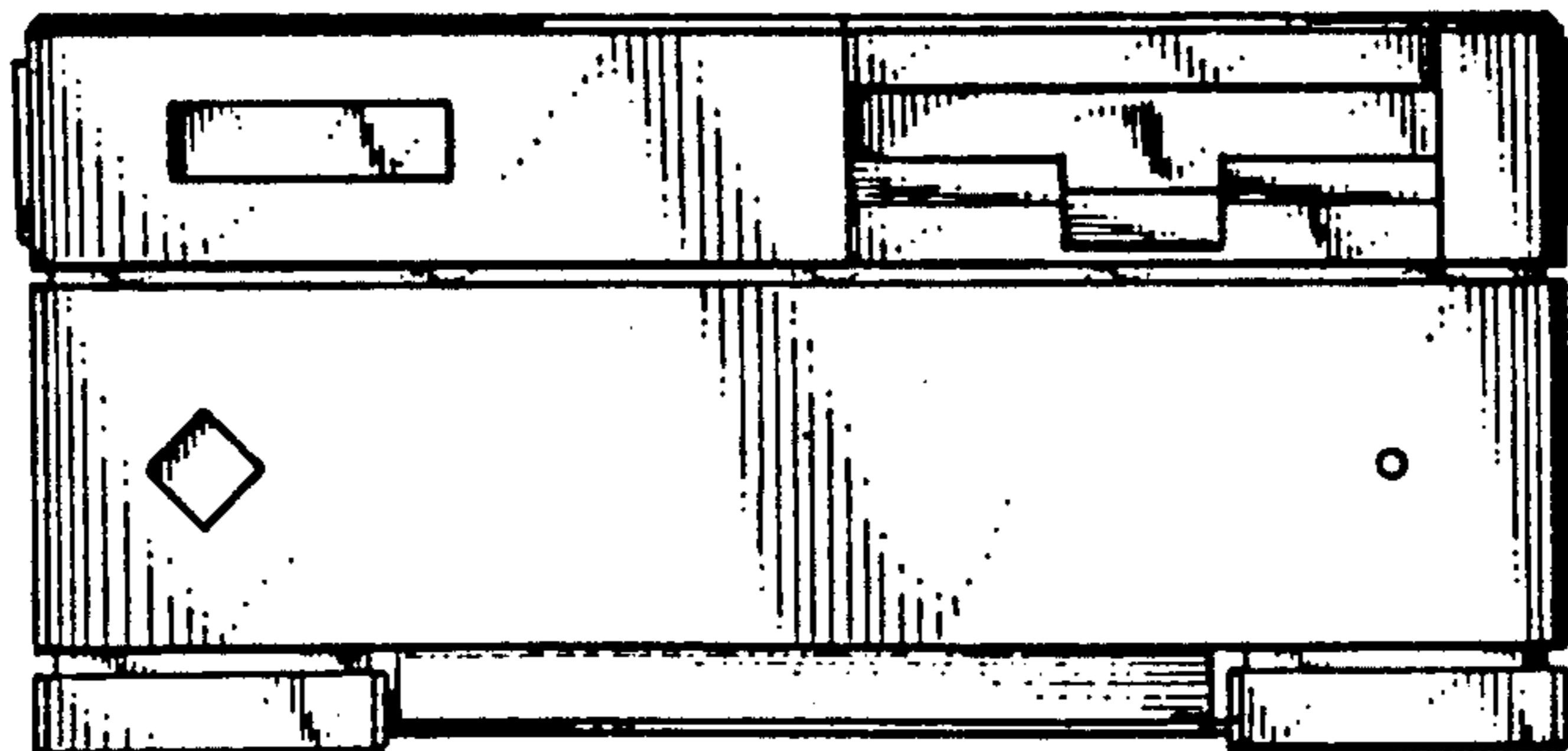


FIG. 2

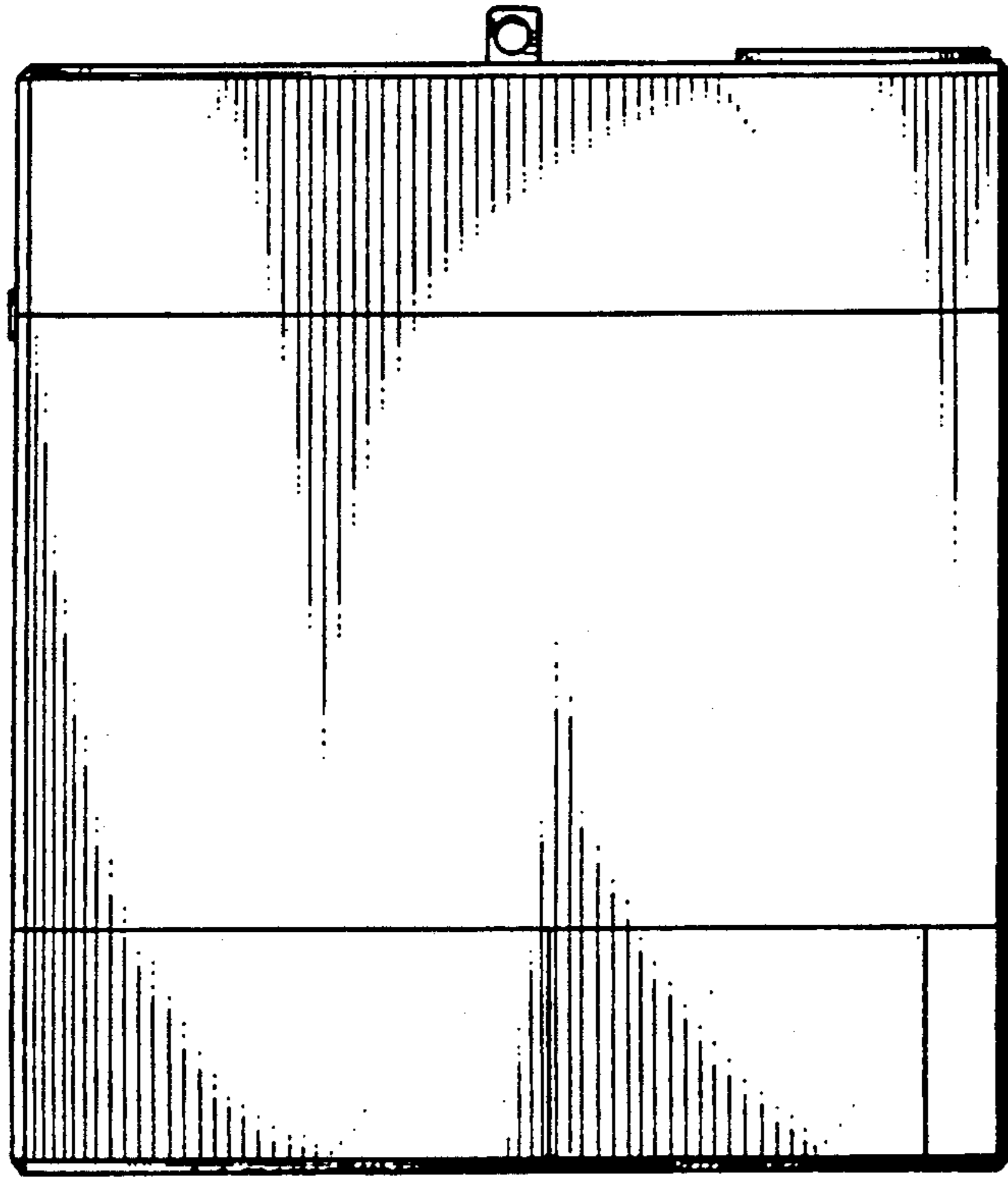


FIG. 3

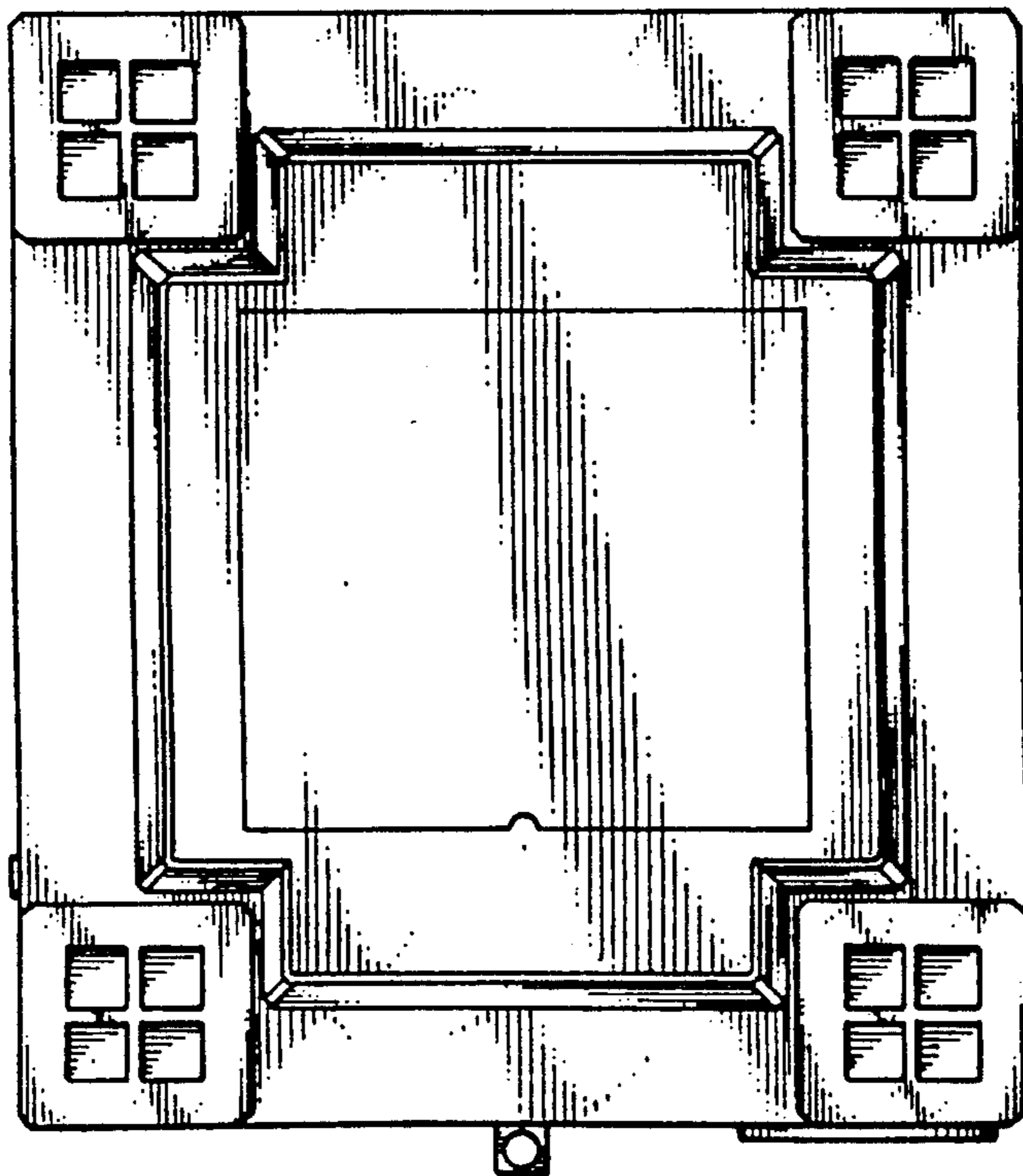


FIG. 4

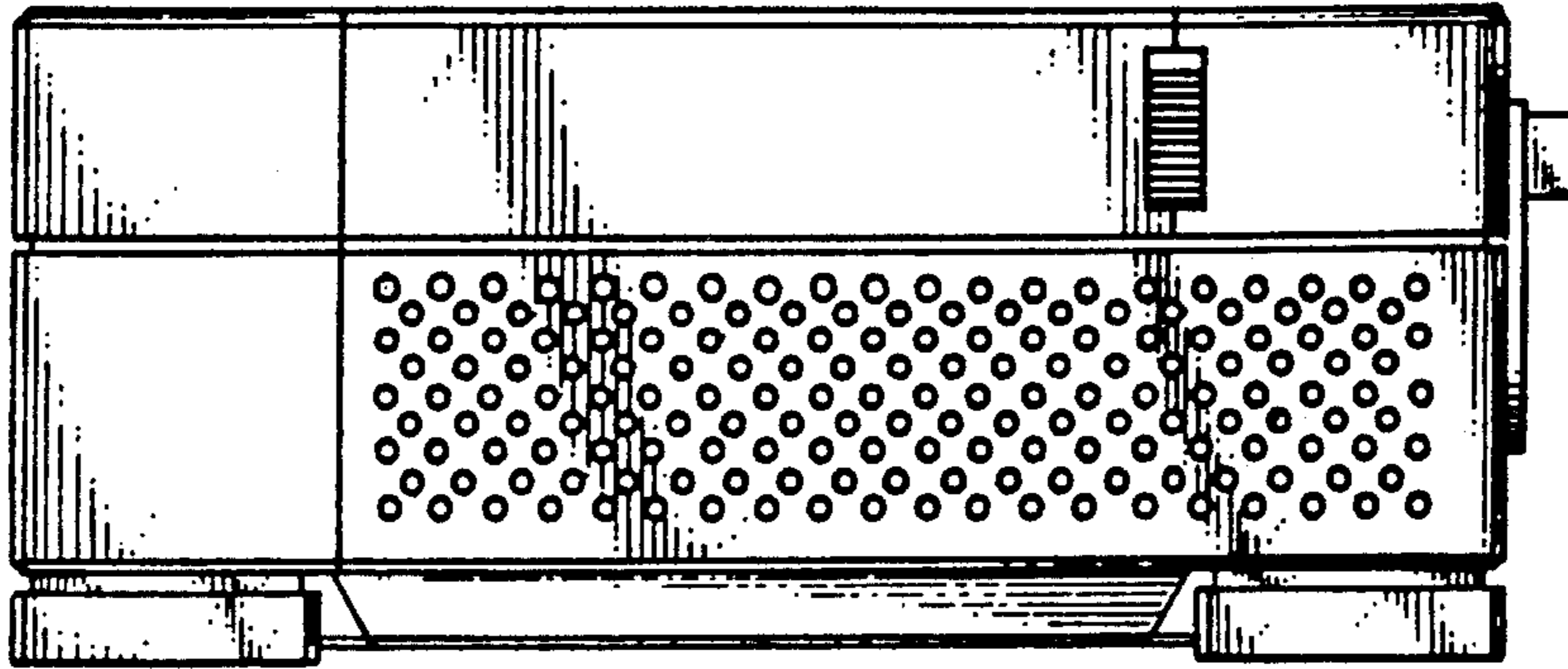


FIG. 5

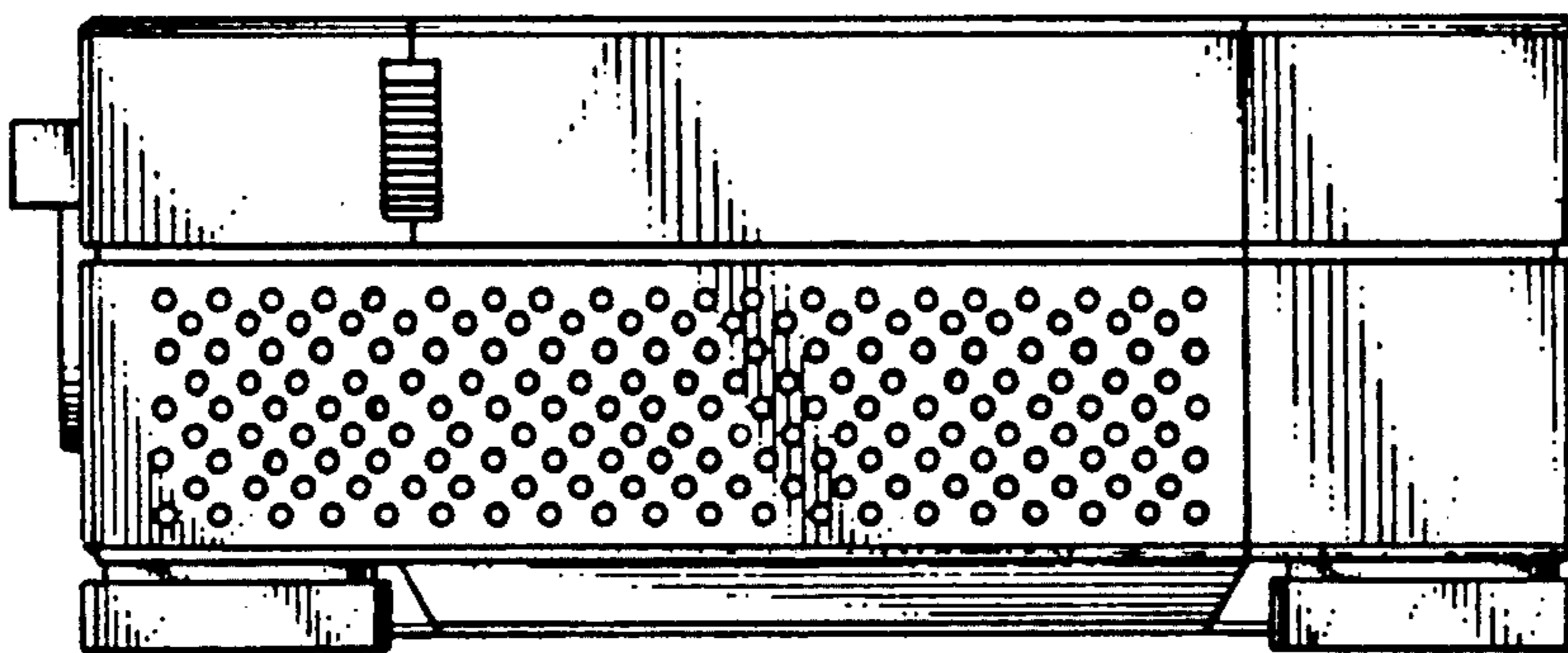


FIG. 6

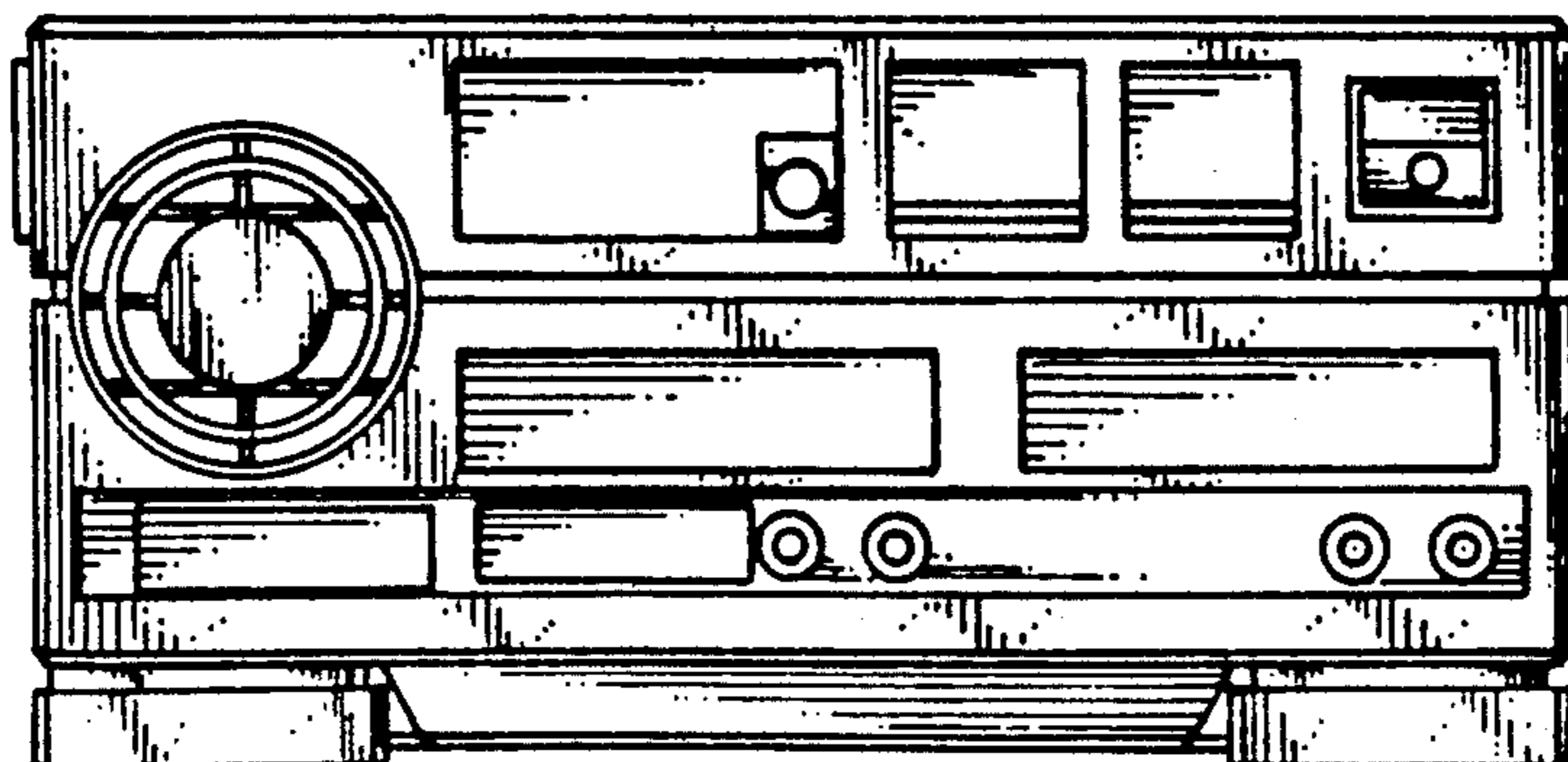


FIG. 7

UNITED STATES PATENT AND TRADEMARK OFFICE  
**CERTIFICATE OF CORRECTION**

PATENT NO. : Des. 320,007

DATED : 09/17/91

INVENTOR(S) : Craig M. Leverault, Peter C.D. Ta and Howell Hsiao

It is certified that error appears in the above-identified patent and that said Letters Patent is hereby corrected as shown below:

On the title page: Item [57] delete "computer housing" Insert --  
Computer Housing--.

line 2, delete "computer housing" Insert --Computer Housing--.

Signed and Sealed this  
Twelfth Day of April, 1994



BRUCE LEHMAN

Commissioner of Patents and Trademarks

Attest:

Attesting Officer