

[54] PERSONAL COMPUTER HOUSING OR SIMILAR ARTICLE

[75] Inventor: Gavin R. Ivester, Palo Alto, Calif.

[73] Assignee: Apple Computer, Inc., Cupertino, Calif.

[**] Term: 14 Years

[21] Appl. No.: 389,828

[22] Filed: Aug. 4, 1989

[52] U.S. Cl. D14/100

[58] Field of Search D14/100-117; D13/184, 199; 174/52.1; 360/97, 98, 99, 132, 133, 99.02; 361/330-335, 380-385, 390-395, 415, 426; 364/708; 200/5 A, 5 R, 6 A, 6 R

[56] References Cited

U.S. PATENT DOCUMENTS

- D. 277,283 1/1985 Empson et al. D14/109 X
- D. 281,245 11/1985 Lewis D14/109 X
- D. 293,675 1/1988 Yokoi et al. D14/109 X
- D. 302,266 7/1989 Kelly et al. D14/100
- D. 305,227 12/1989 Esslinger D14/100

OTHER PUBLICATIONS

Apple Computer, 1987 Brochures for Apple 3.5 Drive and Macintosh II Personal Computer.

Primary Examiner—Wallace R. Burke
Assistant Examiner—Freda S. Nunn
Attorney, Agent, or Firm—Franklyn C. Weiss

[57] CLAIM

The ornamental design for a personal computer housing or similar article, as shown and described.

DESCRIPTION

FIG. 1 is a top, front, right side perspective view of a personal computer housing or similar article showing my new design;
 FIG. 2 is a top plan view thereof;
 FIG. 3 is a front elevational view thereof;
 FIG. 4 is a rear elevational view thereof;
 FIG. 5 is a left side elevational view thereof;
 FIG. 6 is a right side elevational view thereof;
 FIG. 7 is a bottom plan view thereof shown without feet attachments;
 FIG. 8 is a bottom plan view thereof shown with feet attachments.

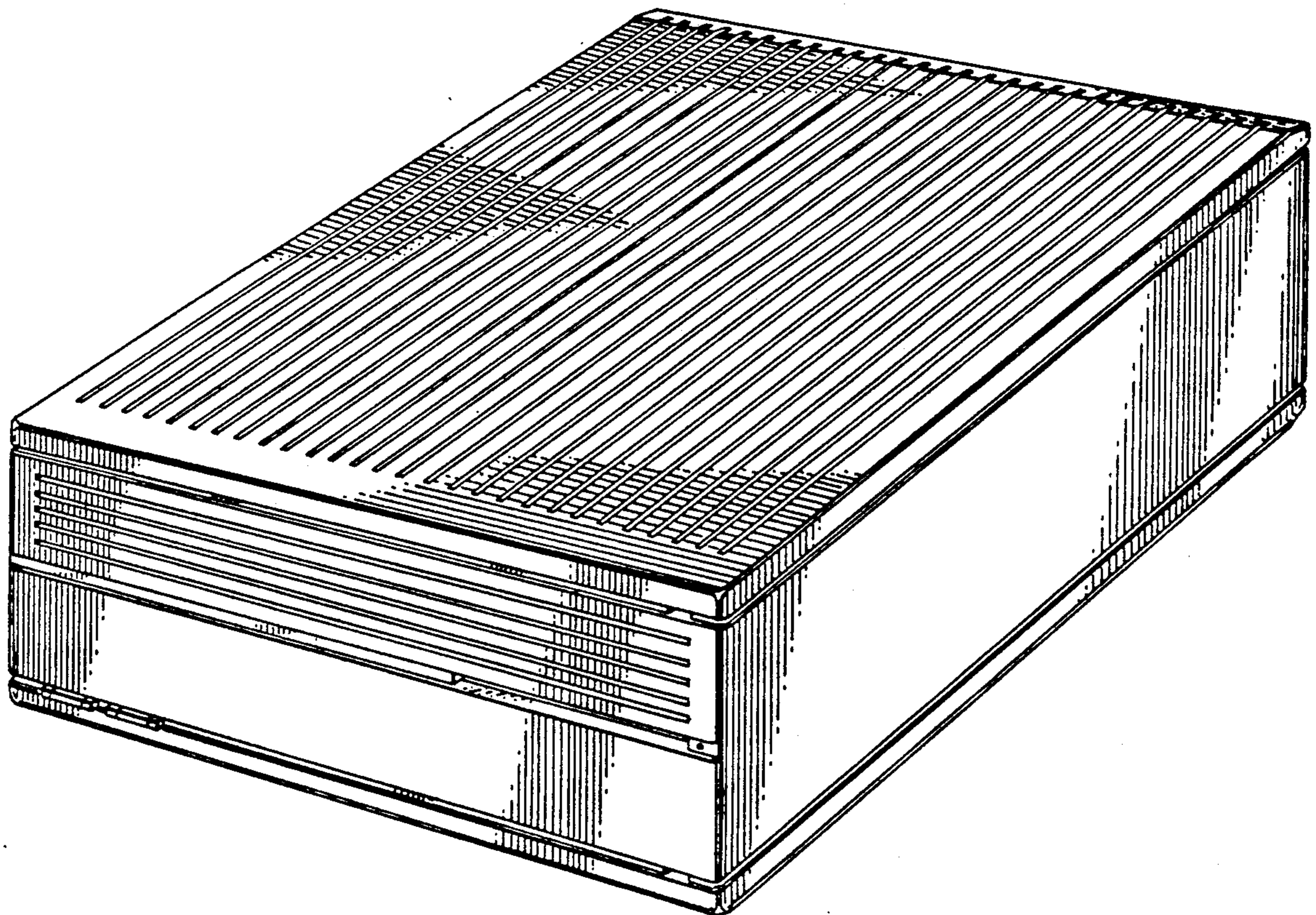


FIG 1

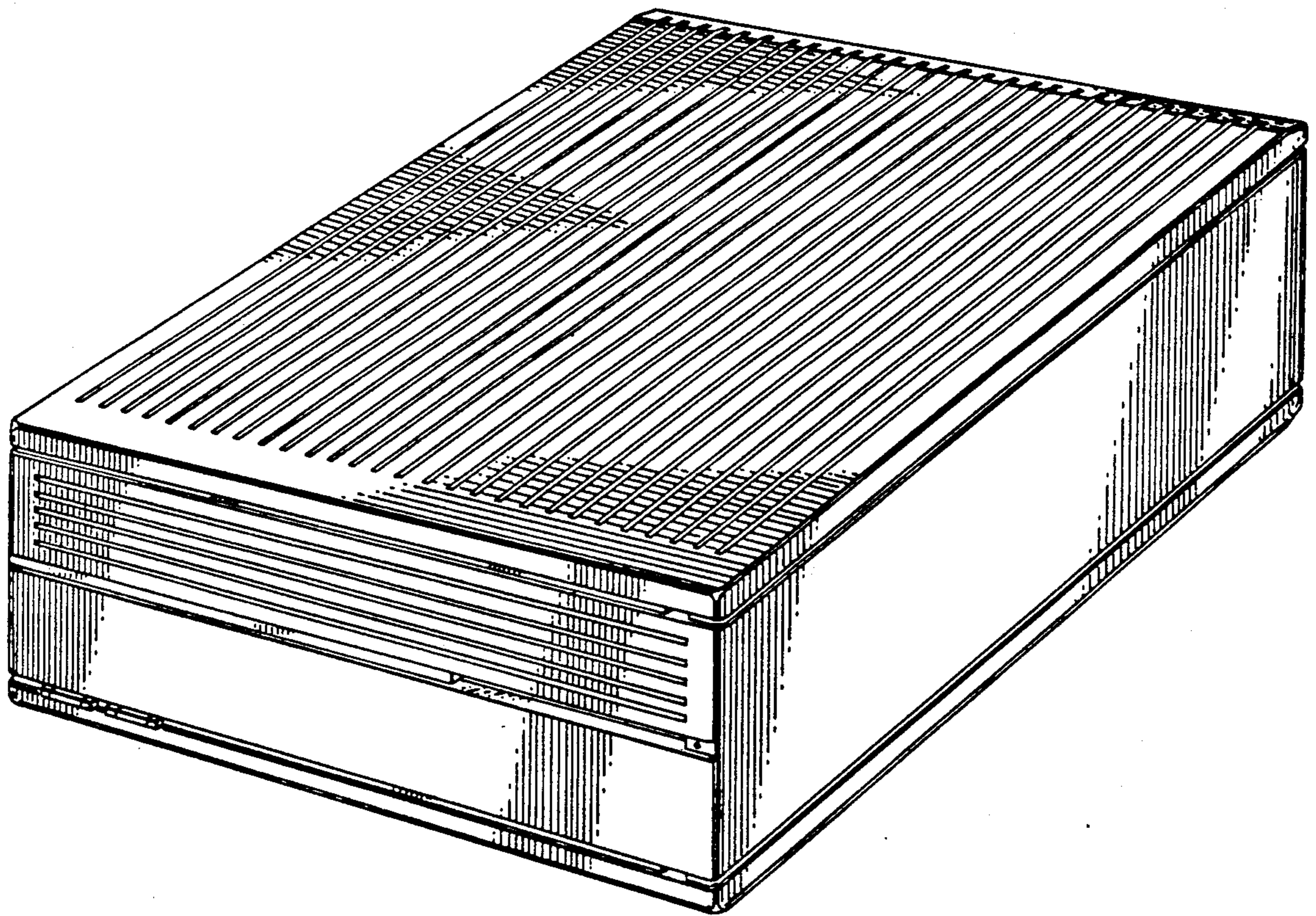


FIG 2

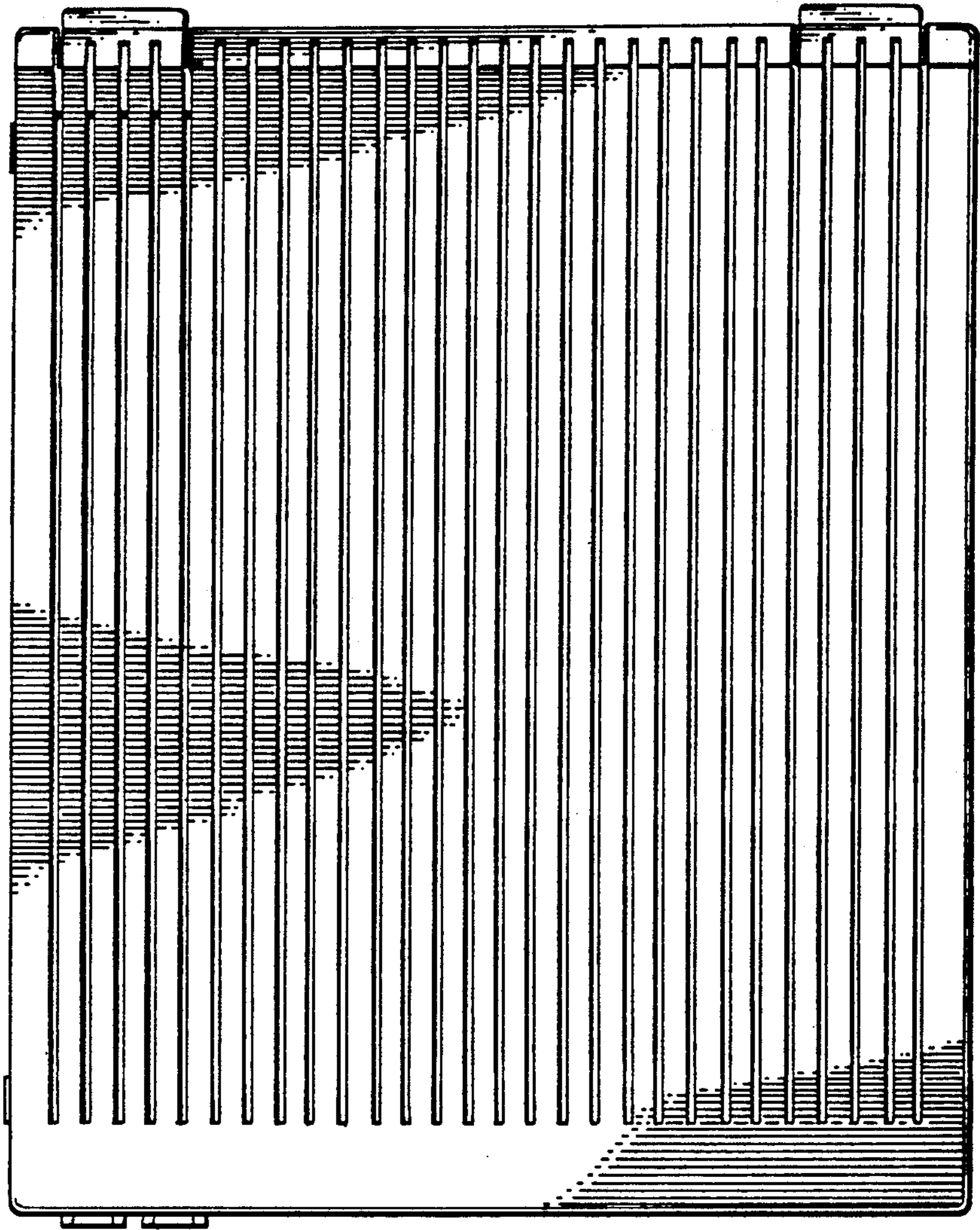


FIG 3

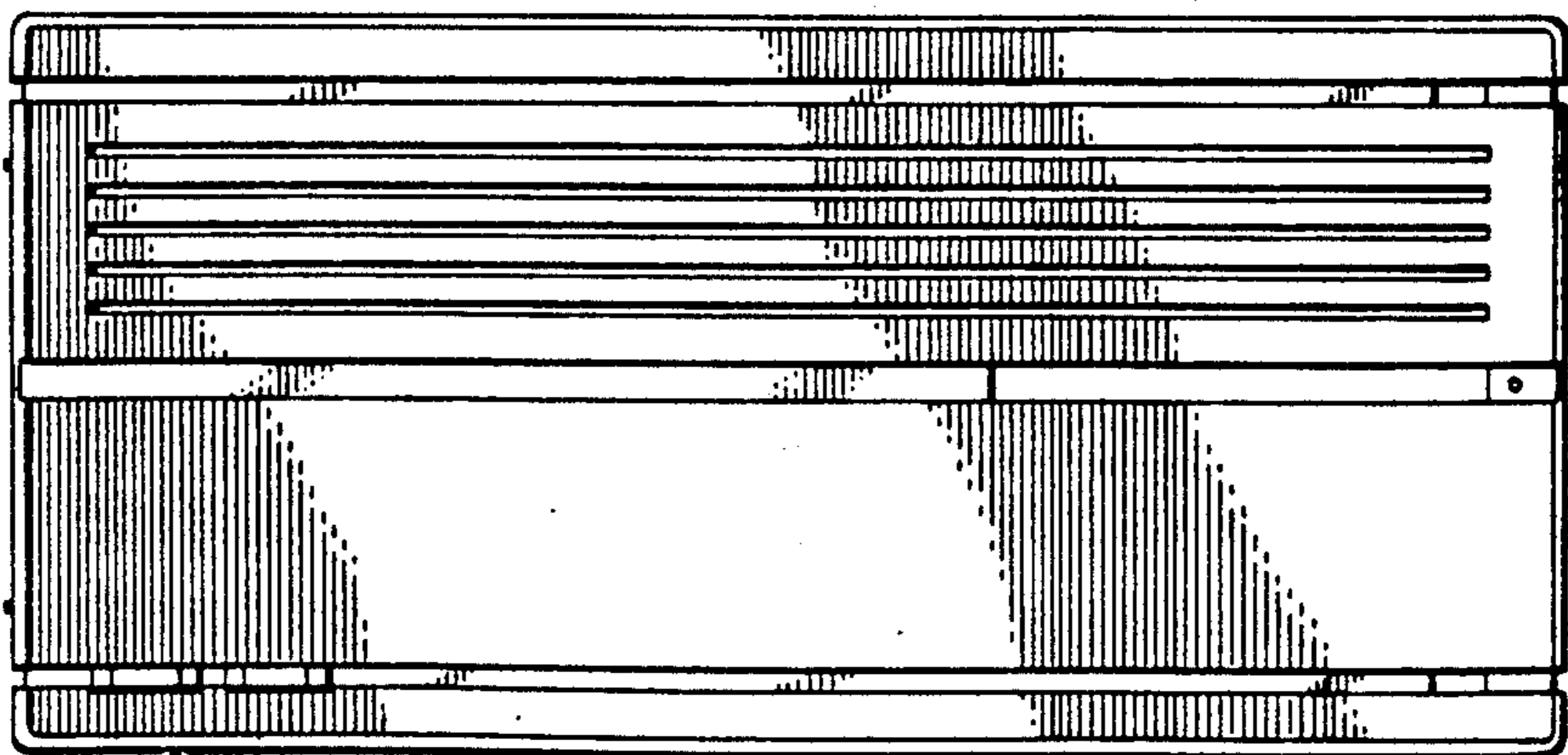


FIG 4

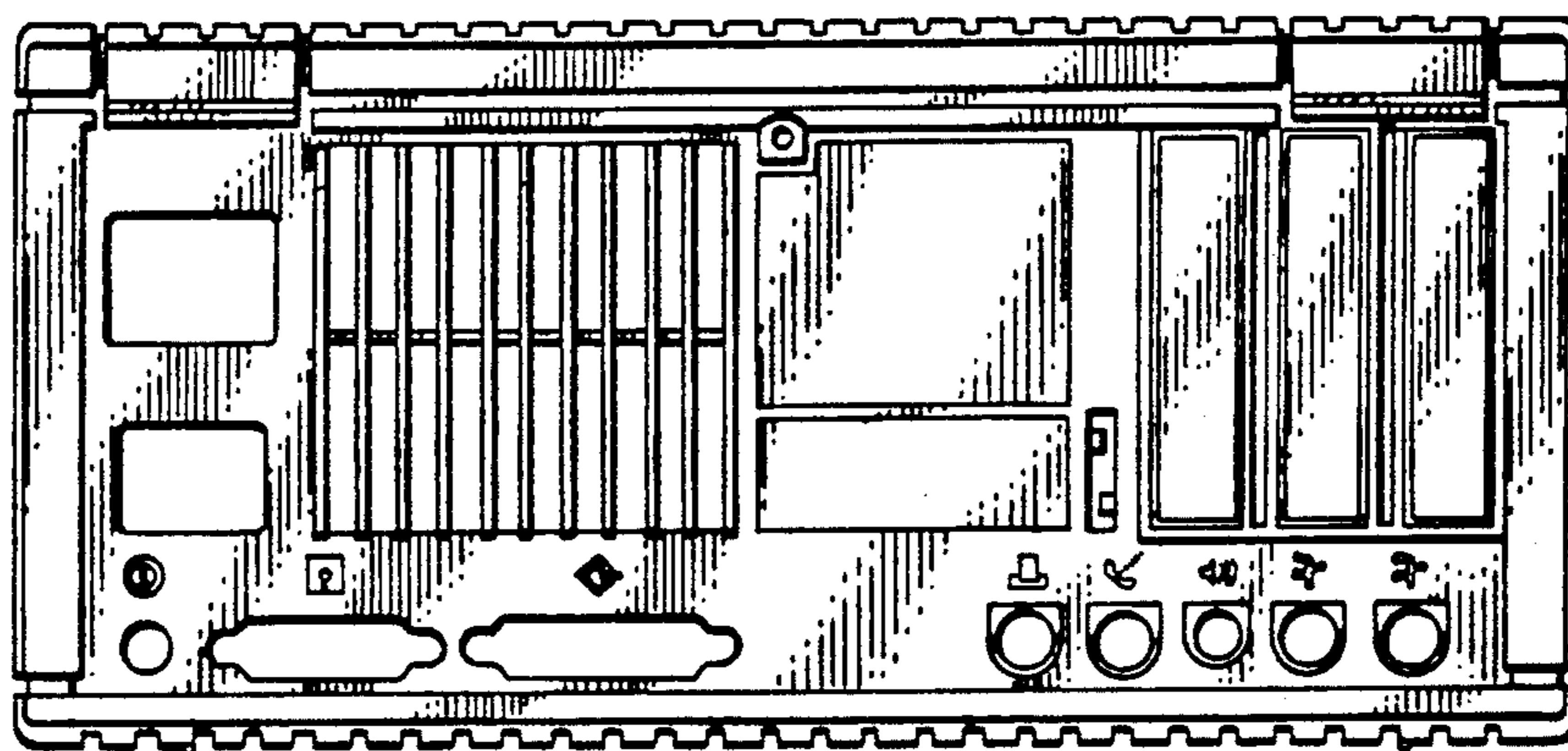


FIG 5

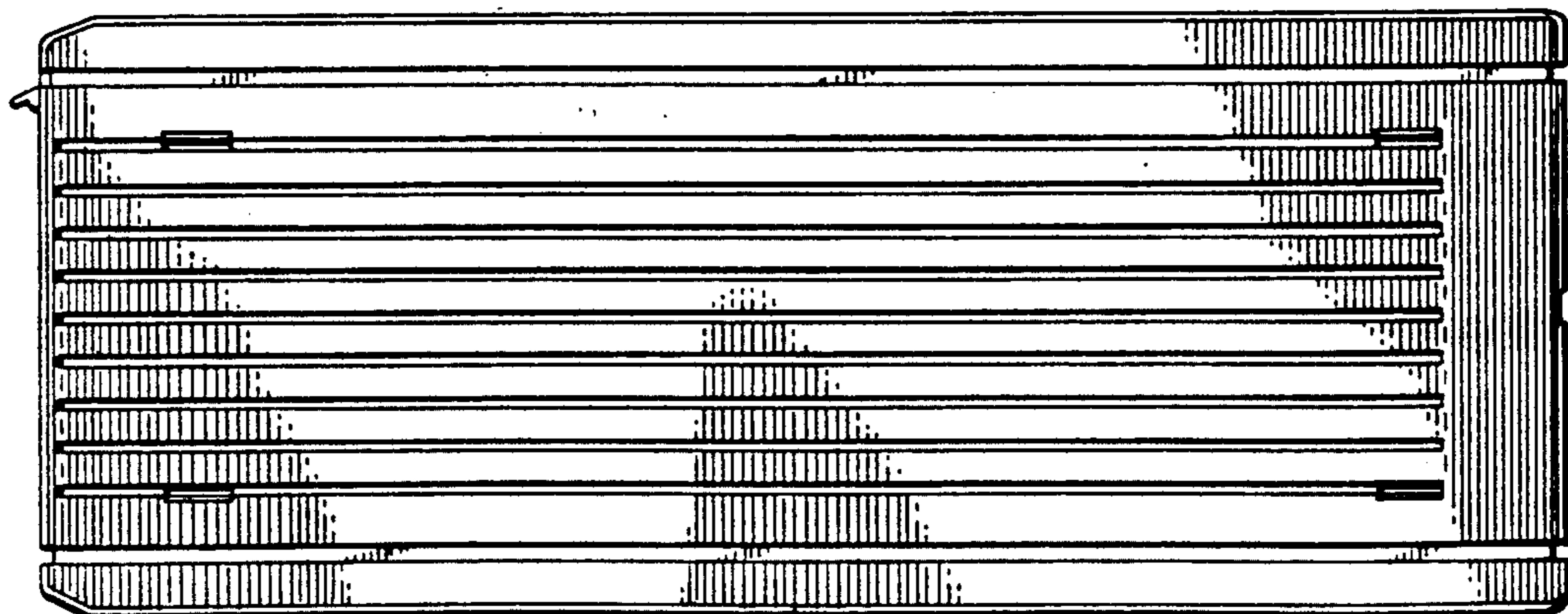


FIG 6

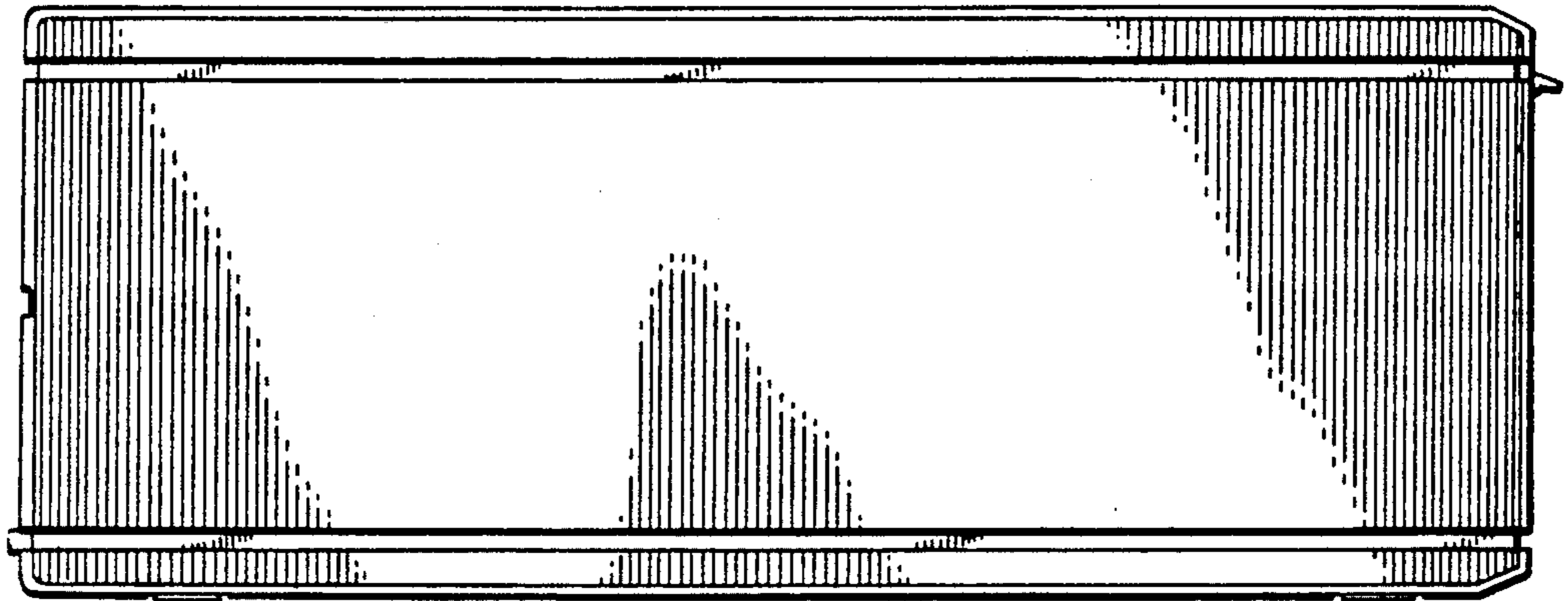


FIG 7

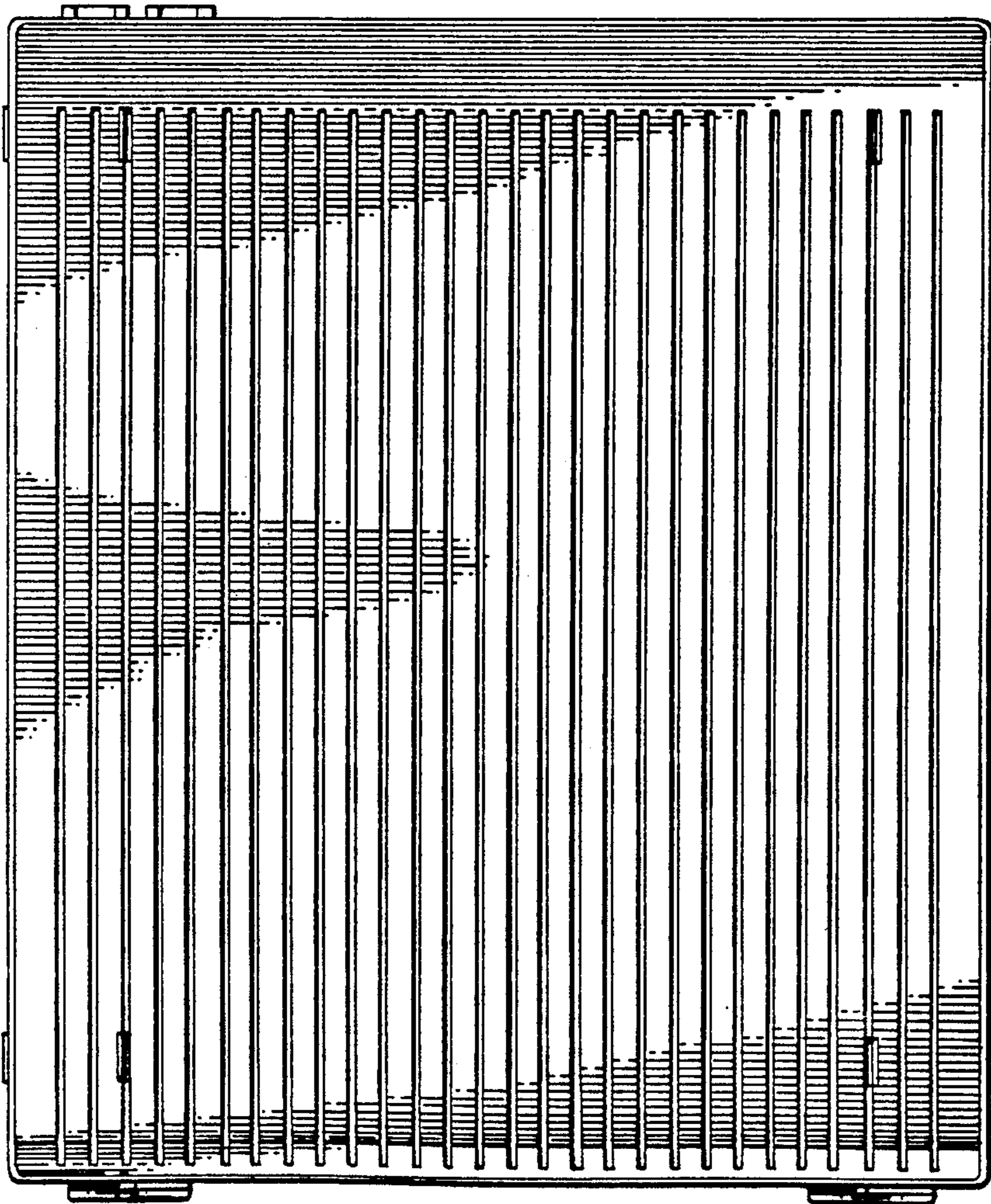


FIG 8

